



US00D538869S

(12) **United States Design Patent**
Wang et al.

(10) **Patent No.:** **US D538,869 S**

(45) **Date of Patent:** **** Mar. 20, 2007**

(54) **GOLF GRIP**

(75) Inventors: **Min Chia Wang**, Tainan (TW); **Ling Yu Hsu**, Yongkang (TW)

(73) Assignee: **Eaton Corporation**, Cleveland, OH (US)

(**) Term: **14 Years**

(21) Appl. No.: **29/255,699**

(22) Filed: **Mar. 10, 2006**

(51) **LOC (8) Cl.** **21-02**

(52) **U.S. Cl.** **D21/756**

(58) **Field of Classification Search** D21/756,
D21/757; 473/300-303

See application file for complete search history.

(56) **References Cited**

U.S. PATENT DOCUMENTS

D430,634 S * 9/2000 Cleveland et al. D21/756

D461,863 S * 8/2002 Huang D21/756

D462,404 S * 9/2002 Huang D21/756

D462,405 S * 9/2002 Schmitt, Jr. D21/759

D494,650 S * 8/2004 Petersen et al. D21/756

D524,390 S * 7/2006 Tuerschmann D21/756

* cited by examiner

Primary Examiner—Mitchell Siegel

(74) *Attorney, Agent, or Firm*—Daniel S. Kalka

(57) **CLAIM**

The ornamental design for a golf grip, as shown and described.

DESCRIPTION

FIG. 1 is a rear elevational view of the golf grip;

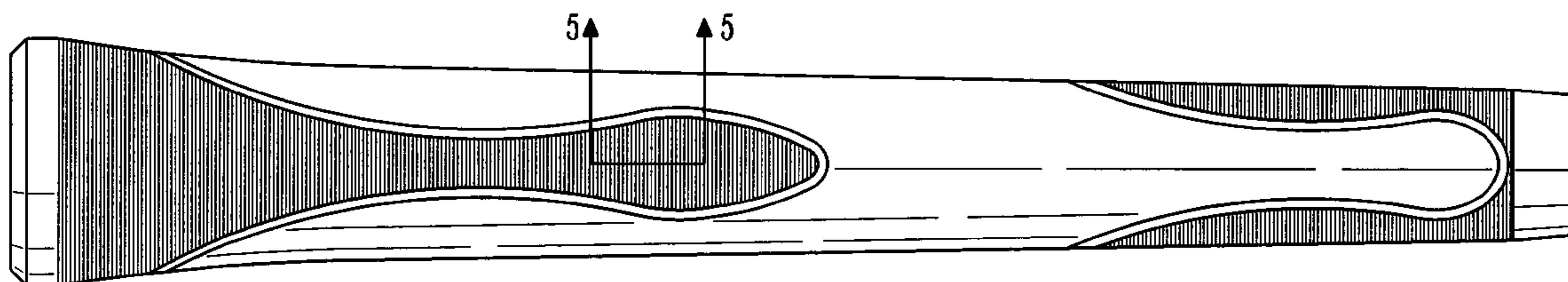
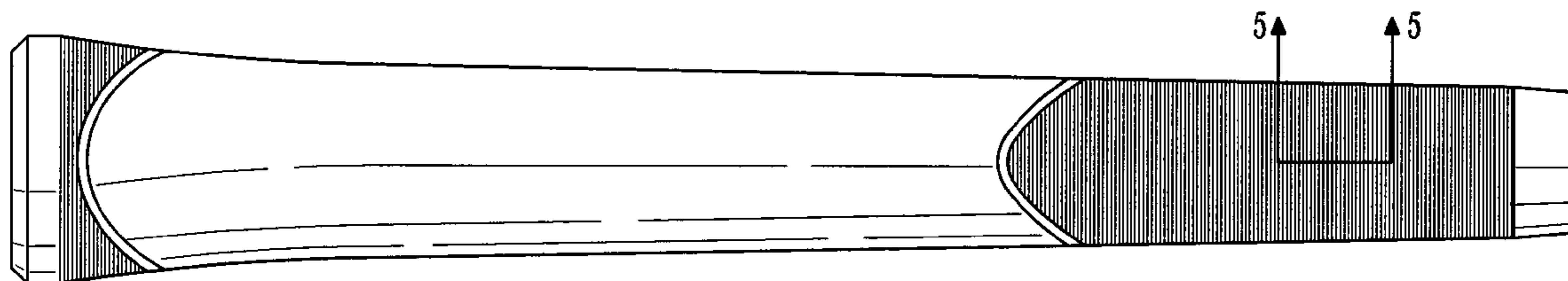
FIG. 2 is a front elevational view;

FIG. 3 is a top view;

FIG. 4 is a bottom view; and,

FIG. 5 is an enlarged cross-sectional view taken on line 5—5 of FIGS. 1 and 2.

1 Claim, 2 Drawing Sheets



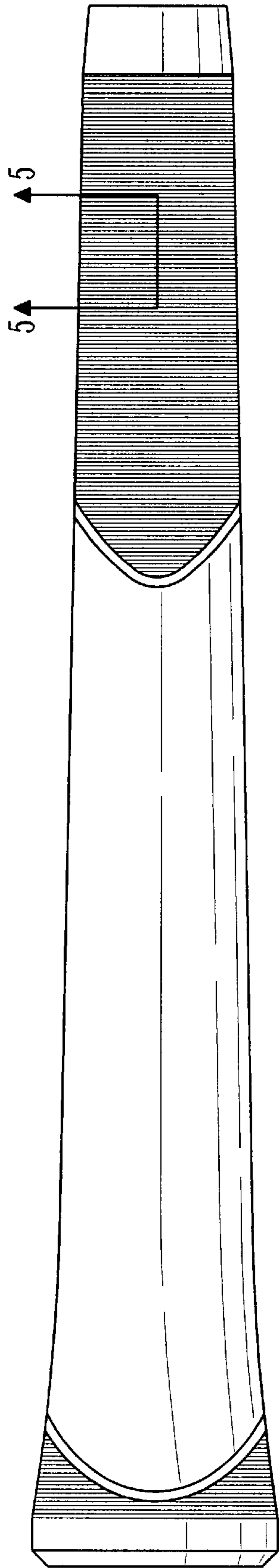


Fig. 1

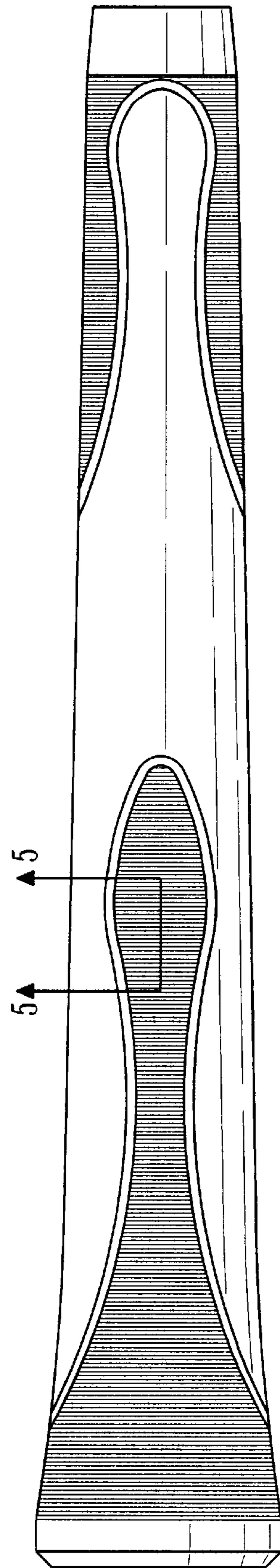


Fig. 2

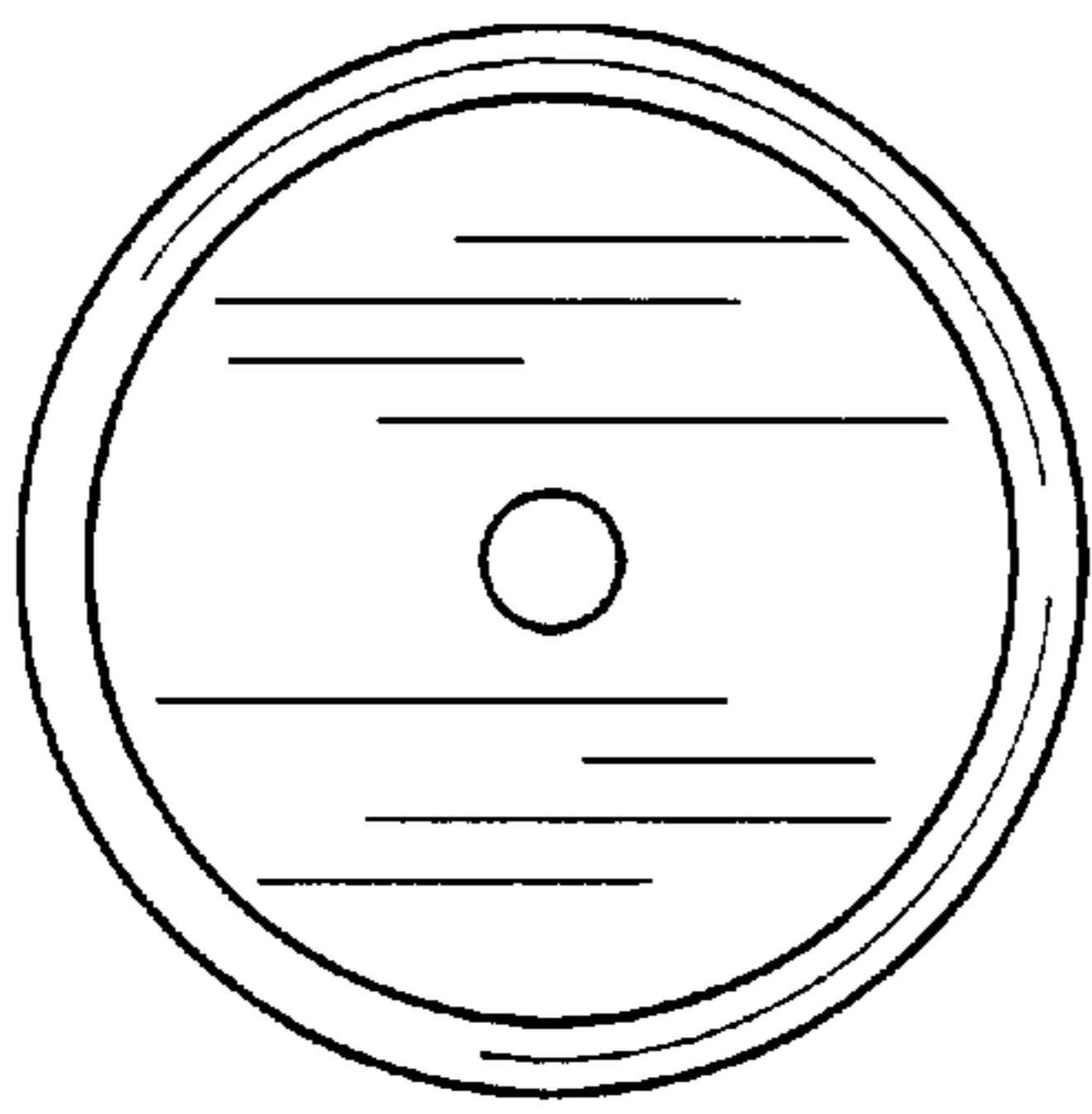


Fig. 3

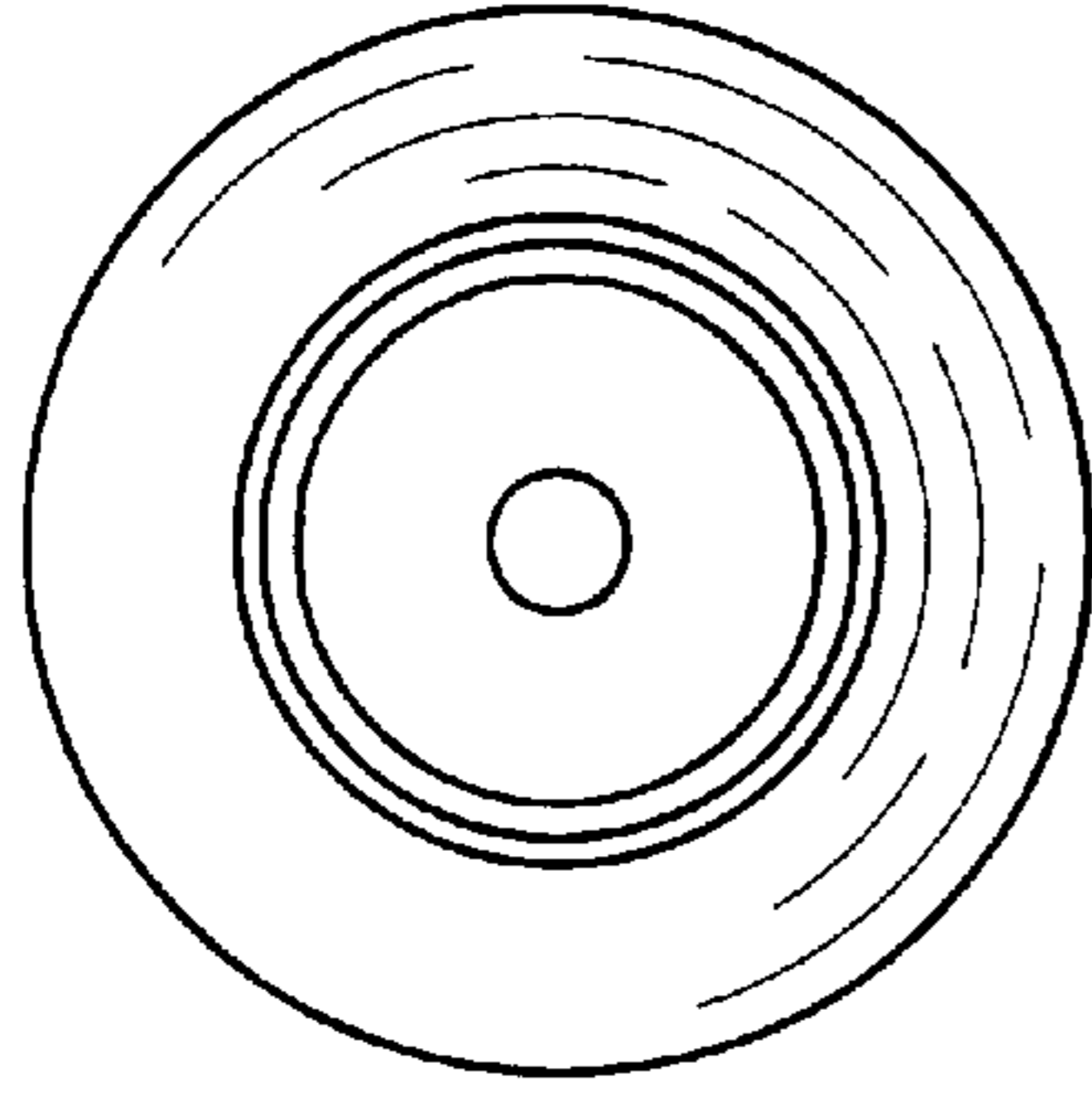


Fig. 4

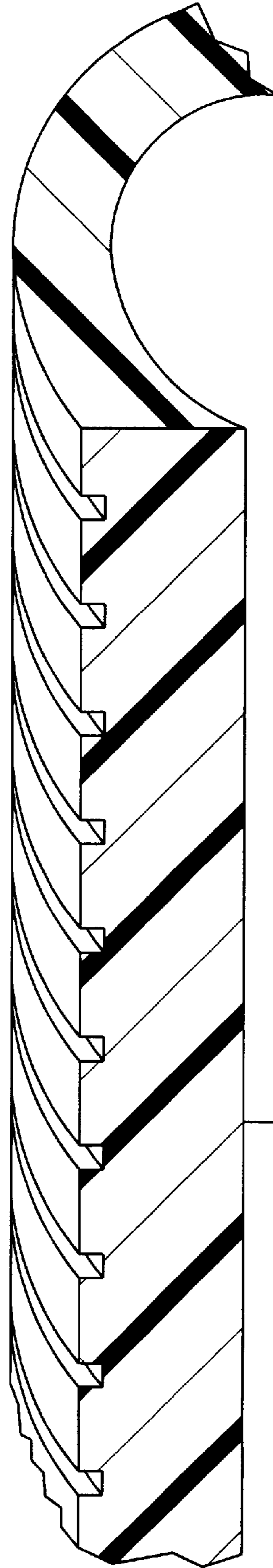


Fig. 5