



US00D538864S

(12) **United States Design Patent**
Crippen

(10) **Patent No.:** **US D538,864 S**

(45) **Date of Patent:** **** Mar. 20, 2007**

(54) **BALL RETRIEVAL DEVICE**

(76) **Inventor:** **Brent Crippen**, 1677 SW. Sea Holly Way, Palm City, FL (US) 34990

(**) **Term:** **14 Years**

(21) **Appl. No.:** **29/243,962**

(22) **Filed:** **Dec. 5, 2005**

(51) **LOC (8) Cl.** **21-02**

(52) **U.S. Cl.** **D21/721**

(58) **Field of Classification Search** D21/721,
D21/789, 793, 795; D4/116-118, 121, 136,
D4/199; D8/1, 13, 14, 51, 55, 105, 106; 473/131,
473/503, 569; 294/19.2, 24, 51, 53.5, 55;
56/400.01, 400.04, 400.11, 400.19; 172/372-375,
172/378, 379

See application file for complete search history.

(56) **References Cited**

U.S. PATENT DOCUMENTS

678,519	A	*	7/1901	Robinson	172/373
2,697,905	A	*	12/1954	Moriarty	56/400.01
2,738,214	A	*	3/1956	Zimmers	294/19.2
3,614,149	A	*	10/1971	Clark	294/19.2
3,749,407	A	*	7/1973	Prochnow	473/286
4,054,313	A	*	10/1977	Ciuci	294/53.5

D310,619	S	*	9/1990	Schade	D8/13
5,080,413	A	*	1/1992	Vobeda	294/19.2
D362,038	S	*	9/1995	Schatz	D21/721
D506,517	S	*	6/2005	Crippen	D21/721

* cited by examiner

Primary Examiner—Catherine Tuttle

(74) *Attorney, Agent, or Firm*—Kevin Redmond

(57) **CLAIM**

I claim the ornamental design for a ball retrieval device, as shown and described.

DESCRIPTION

FIG. 1 is a top and right perspective showing the design in a folded position;

FIG. 2 is a top and right perspective view showing the design with the ball retrieval cup in an extended position;

FIG. 3 is a top and right perspective view showing the design with the rake arms in extended position and the ball retrieval cup in a retracted position;

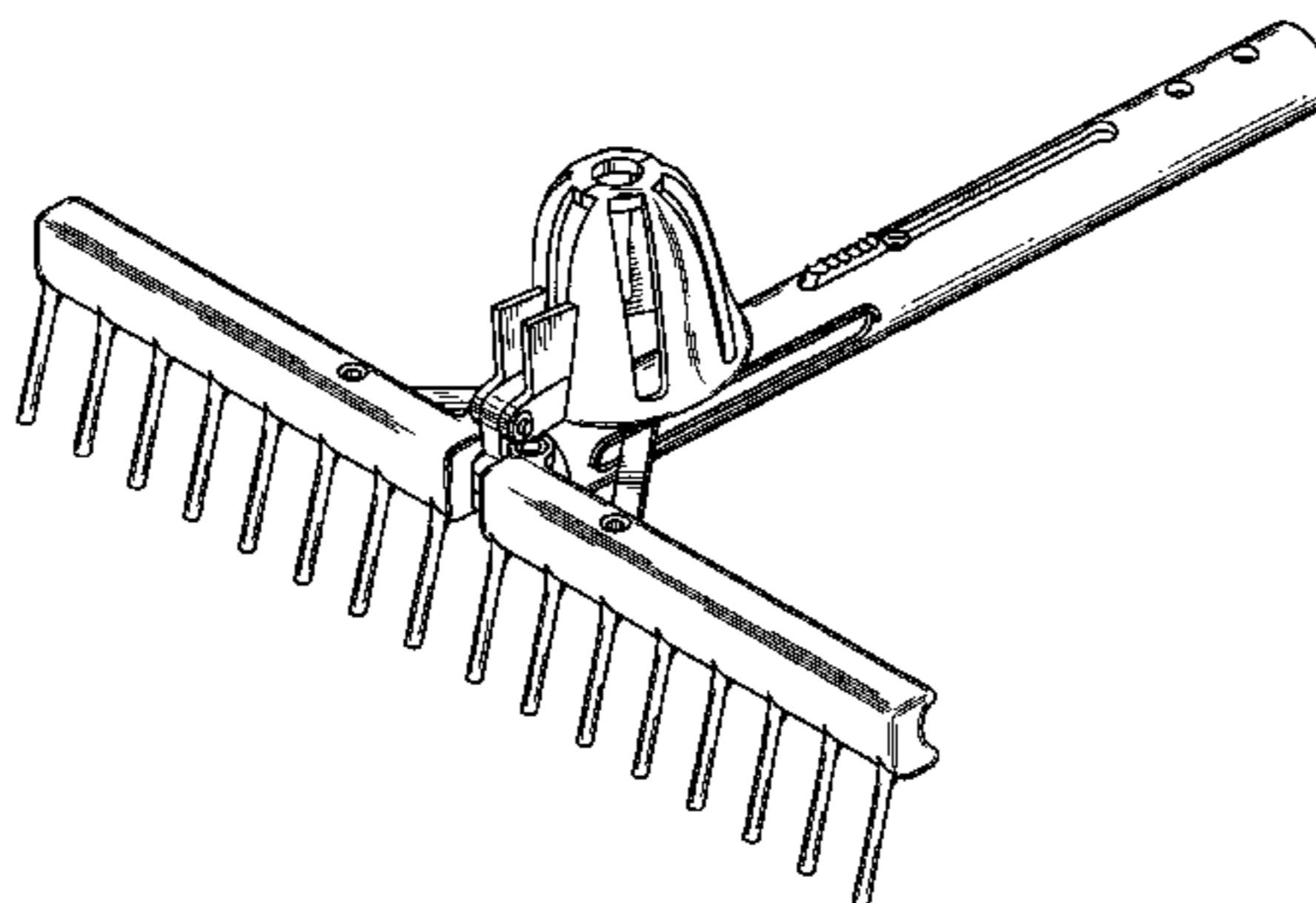
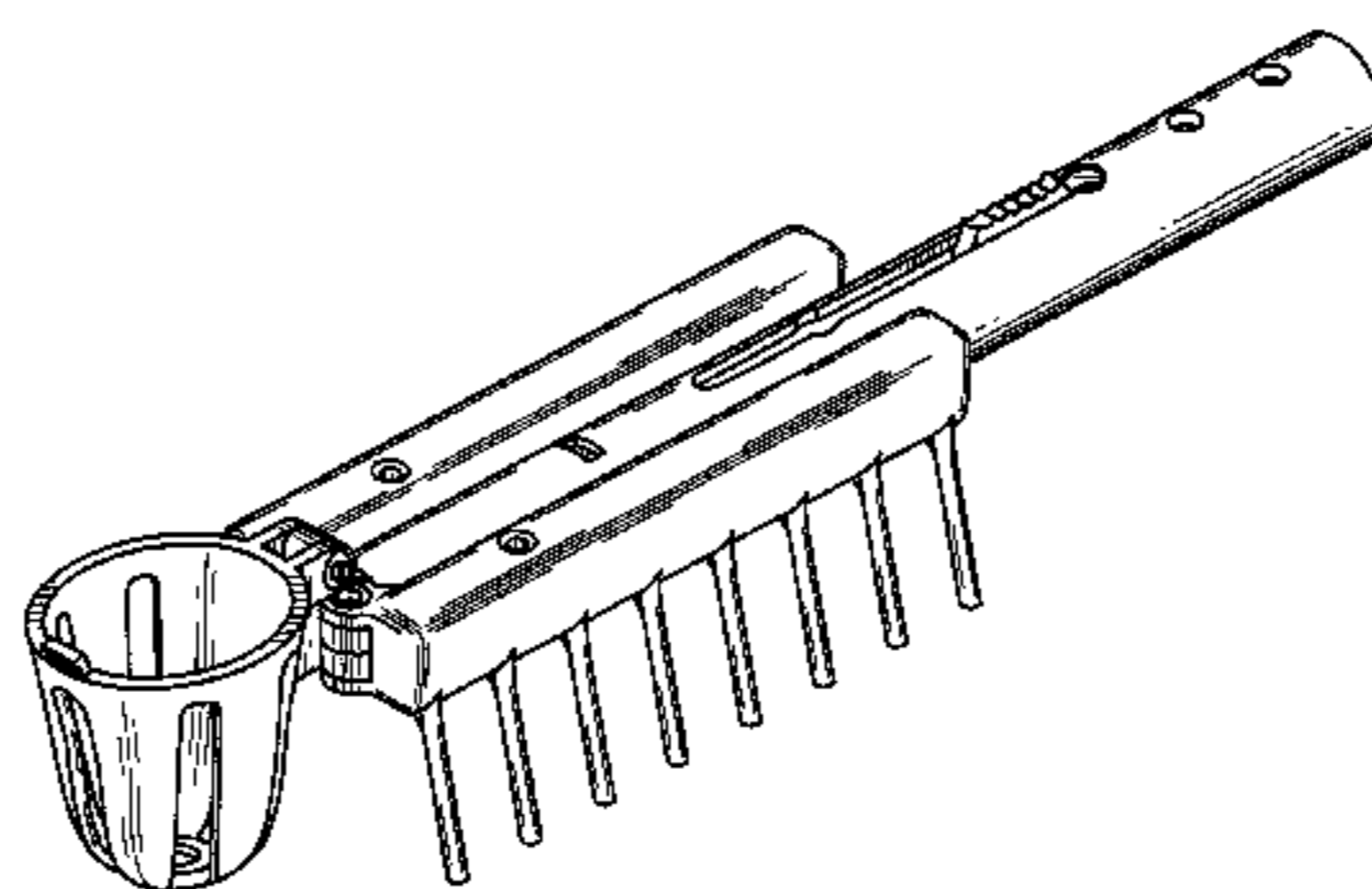
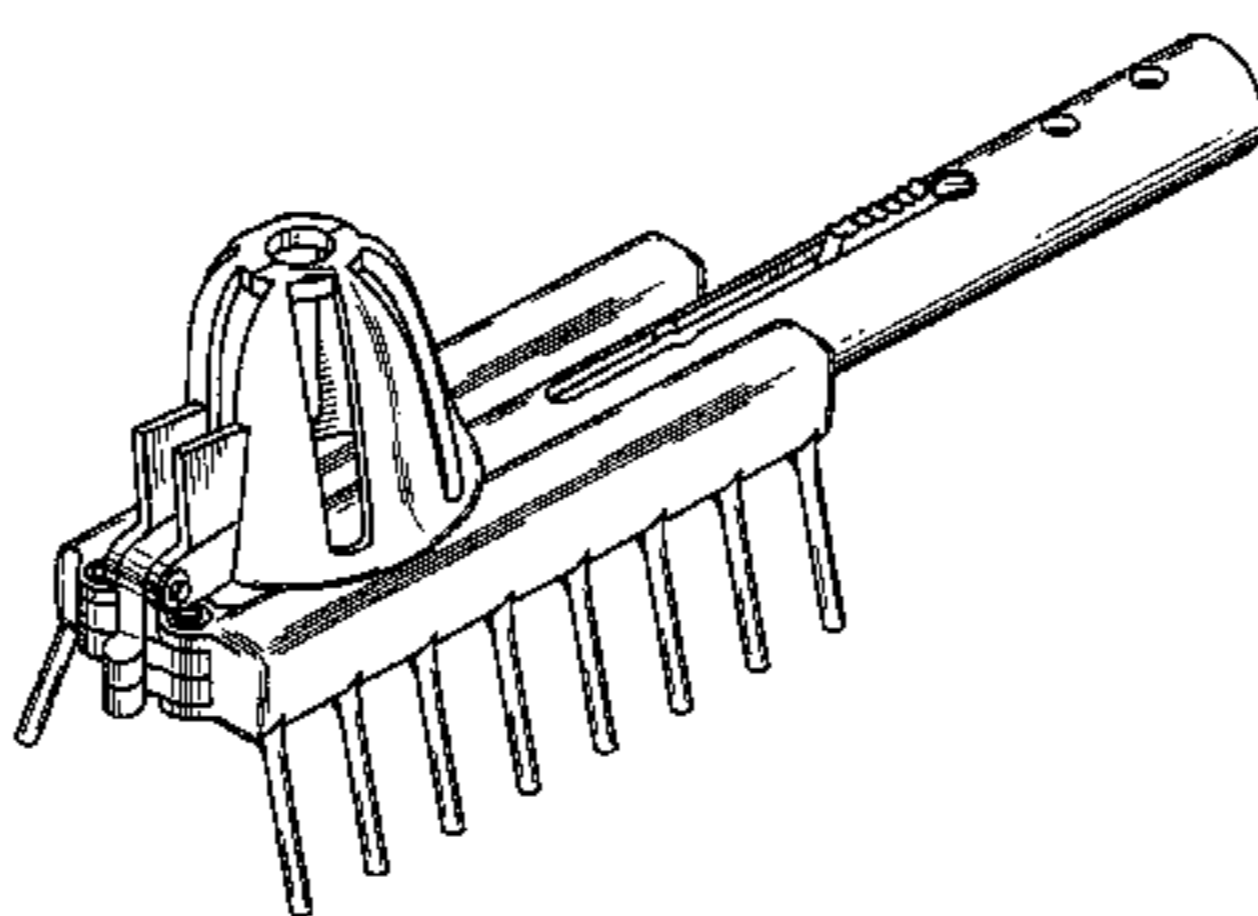
FIG. 4 is a top plan view of FIG. 2; and,

FIG. 5 is a top plan view of FIG. 3.

The partially illustrated left side of the design is symmetrical with the right side shown.

The details shown in broken lines in FIG. 4 are for illustration purposes only, and form no part of the claimed design.

1 Claim, 5 Drawing Sheets



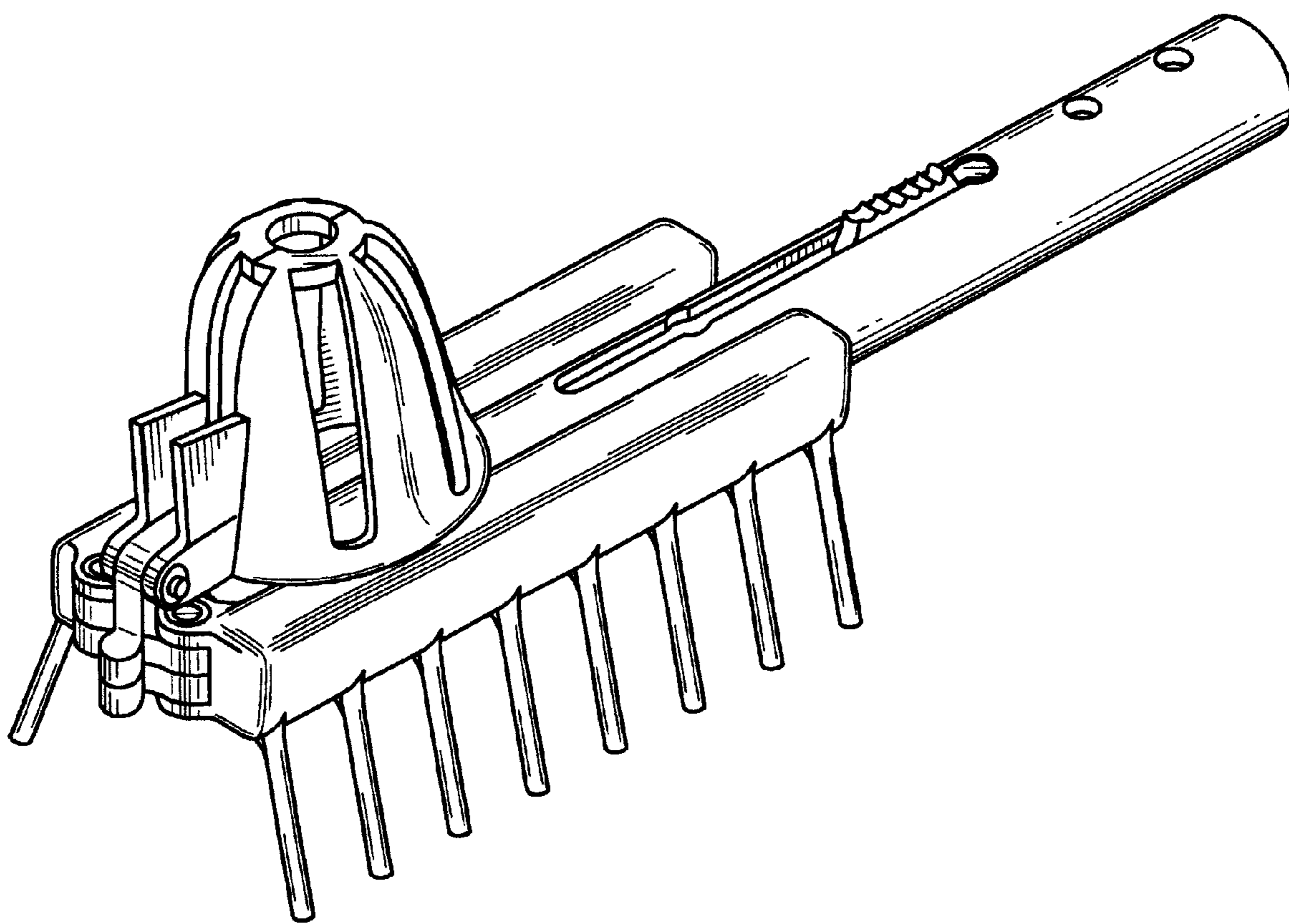


Fig. 1

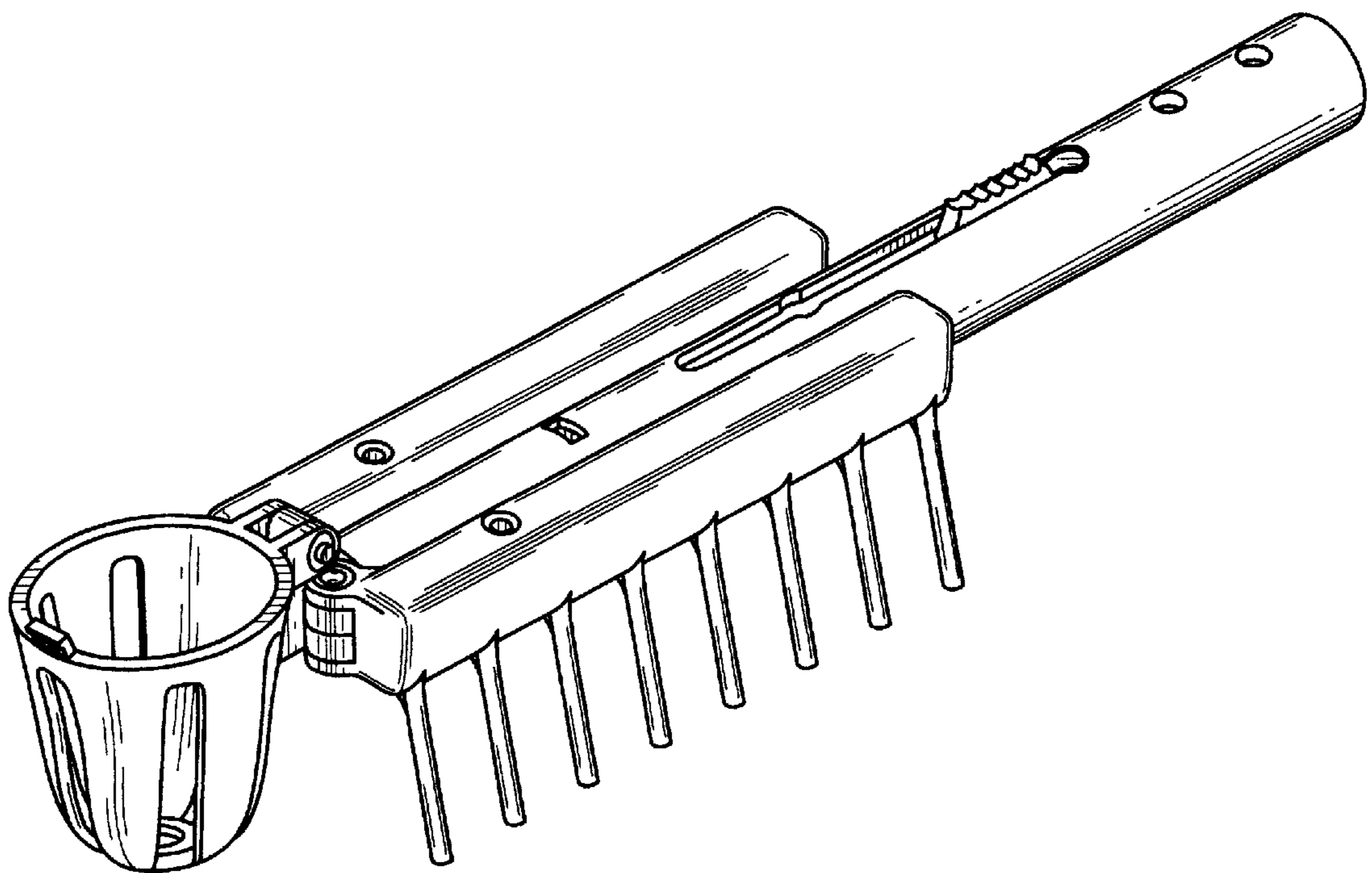


Fig. 2

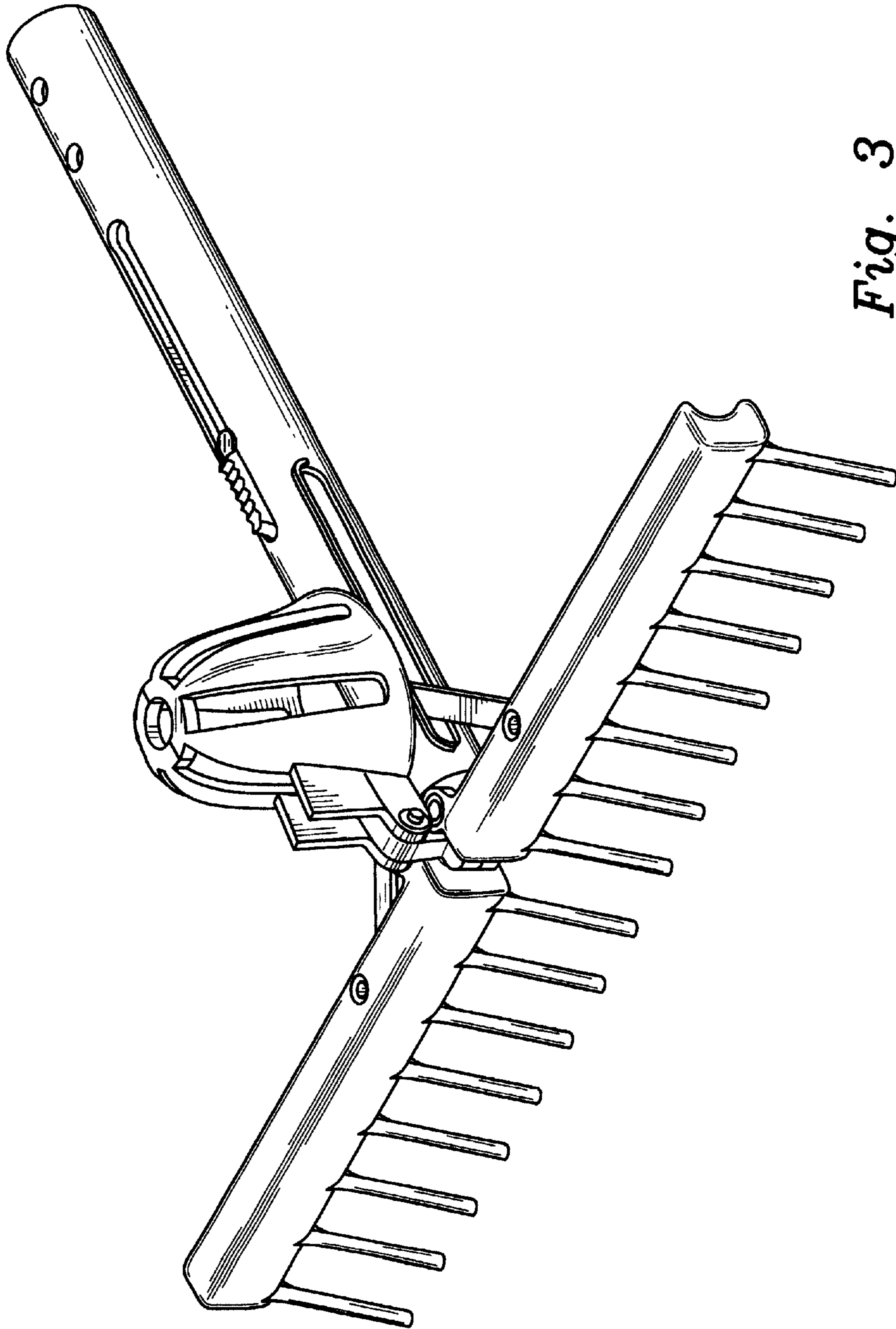


Fig. 3

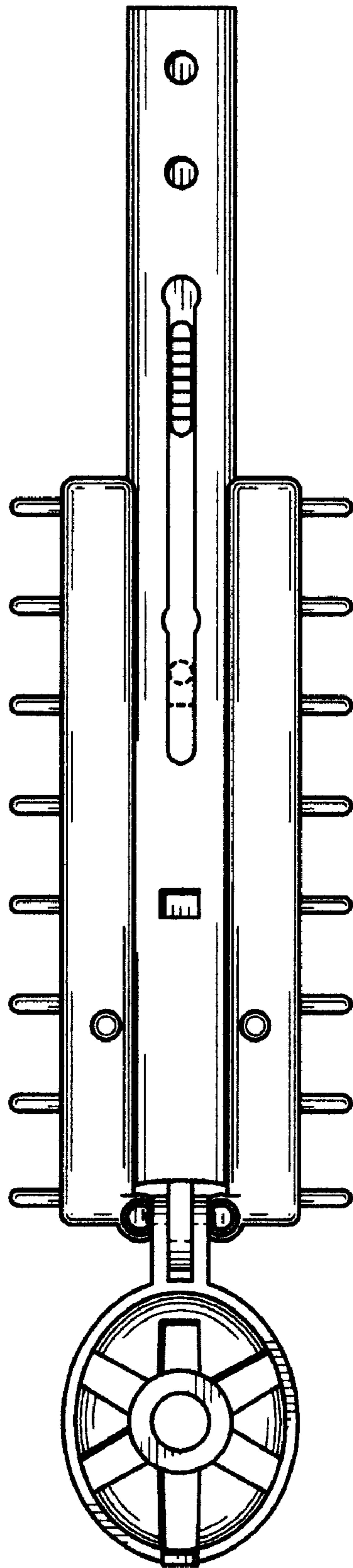


Fig. 4

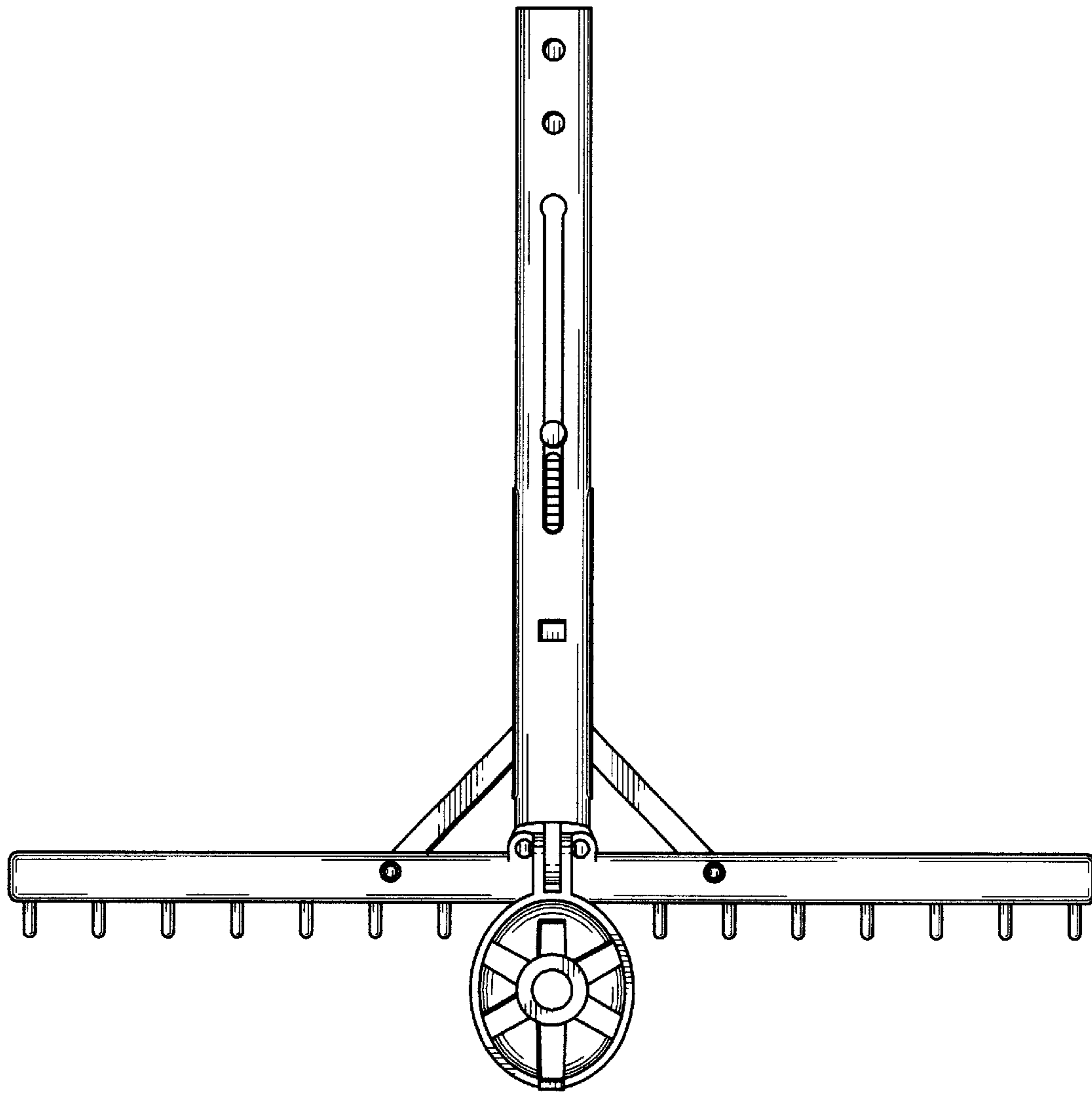


Fig. 5