

US00D538861S

(12) **United States Design Patent**
Takahashi

(10) **Patent No.:** **US D538,861 S**

(45) **Date of Patent:** **** Mar. 20, 2007**

(54) **REMOTE CONTROL TOY VEHICLE**

(75) Inventor: **Hiroshi Takahashi**, Tokyo (JP)

(73) Assignee: **Nikko Co., Ltd.**, Tokyo (JP)

(**) Term: **14 Years**

(21) Appl. No.: **29/237,261**

(22) Filed: **Aug. 29, 2005**

(51) **LOC (8) Cl.** **21-03**

(52) **U.S. Cl.** **D21/550**

(58) **Field of Classification Search** D21/533,
D21/538, 541, 542, 548, 549, 551, 562; 446/431,
446/435, 454, 456, 465, 470, 6; D12/90,
D12/91, 92

See application file for complete search history.

(56) **References Cited**

U.S. PATENT DOCUMENTS

D317,795 S * 6/1991 Taki D21/550
D318,081 S * 7/1991 Yoshino D21/550
D322,102 S * 12/1991 Araki D21/550
D362,280 S * 9/1995 George D21/550

D425,141 S * 5/2000 Park D21/550
D498,798 S * 11/2004 Wei D21/550
D513,630 S * 1/2006 Wei D21/550

* cited by examiner

Primary Examiner—Philip S. Hyder

(74) *Attorney, Agent, or Firm*—Osha Liang L.L.P.

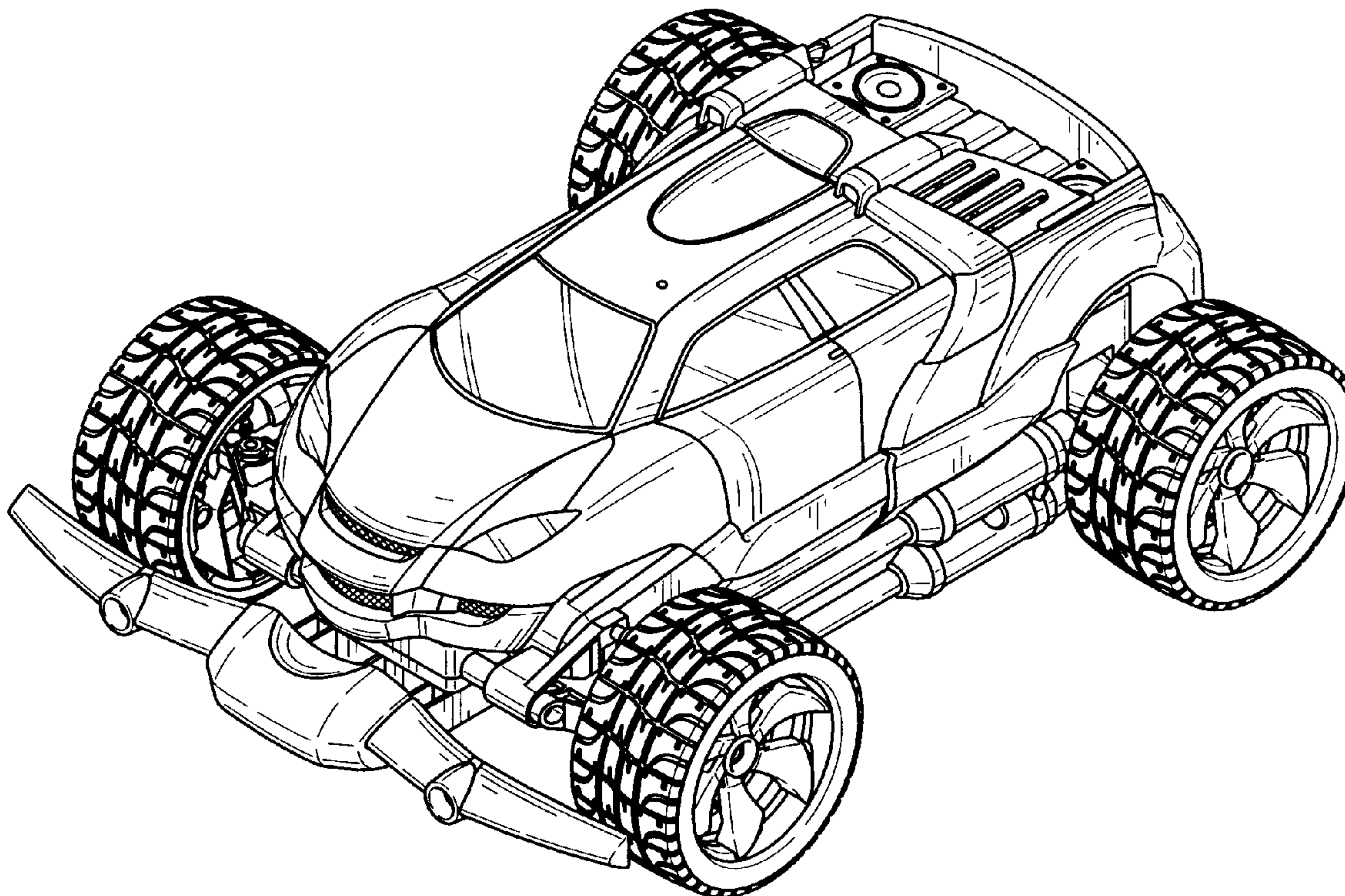
(57) **CLAIM**

The ornamental design for a remote control toy vehicle, as shown and described.

DESCRIPTION

FIG. 1 is a perspective view of the front, right and top of a remote control toy vehicle showing my new design; FIG. 2 is a front view thereof; FIG. 3 is a rear view thereof; FIG. 4 is a right side view thereof; FIG. 5 is a left side view thereof; FIG. 6 is a top plan view thereof; FIG. 7 is a bottom view thereof; and, FIG. 8 is a right side view thereof, wherein the height of the vehicle has been changed.

1 Claim, 6 Drawing Sheets



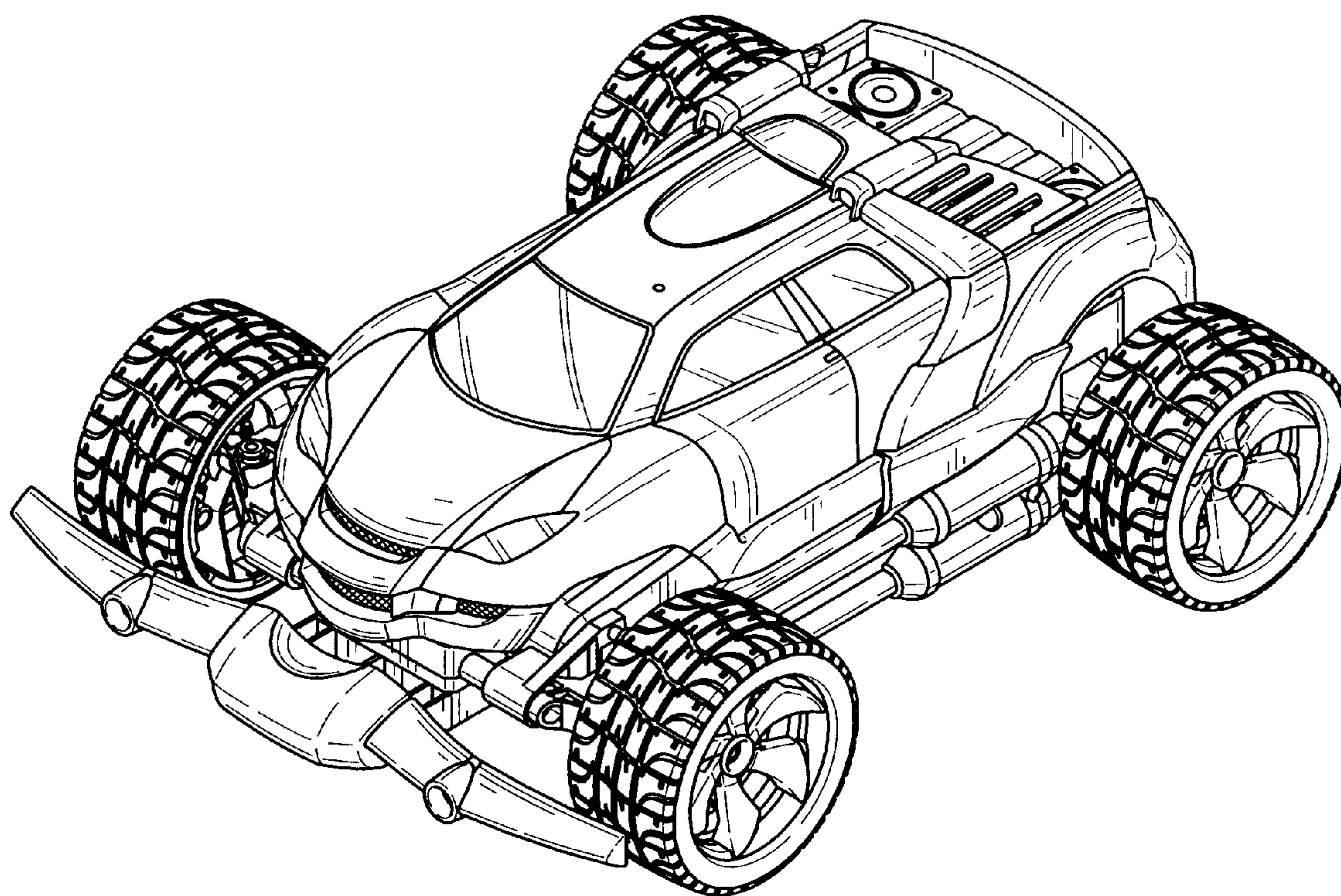


FIG. 1

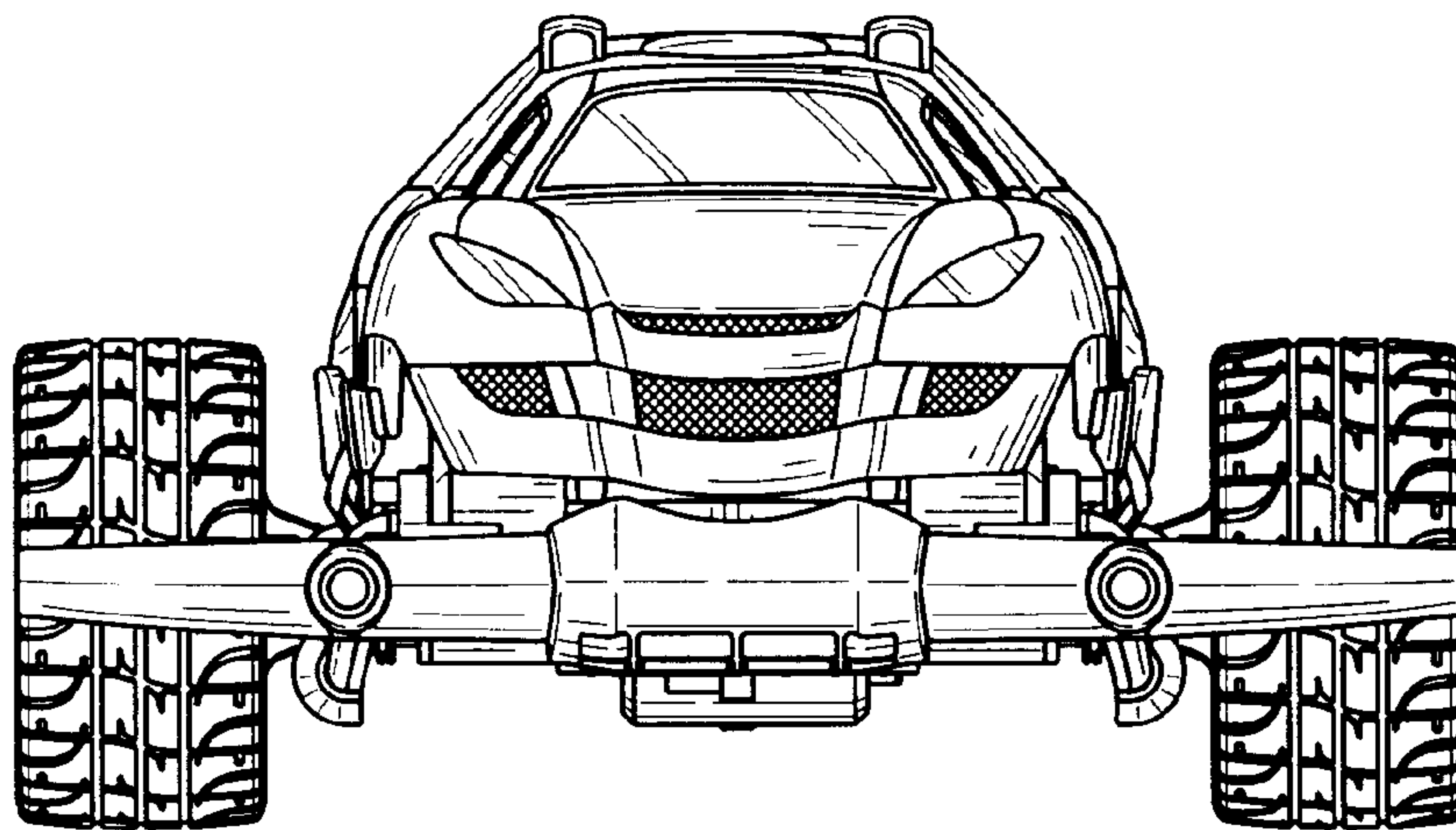


FIG. 2

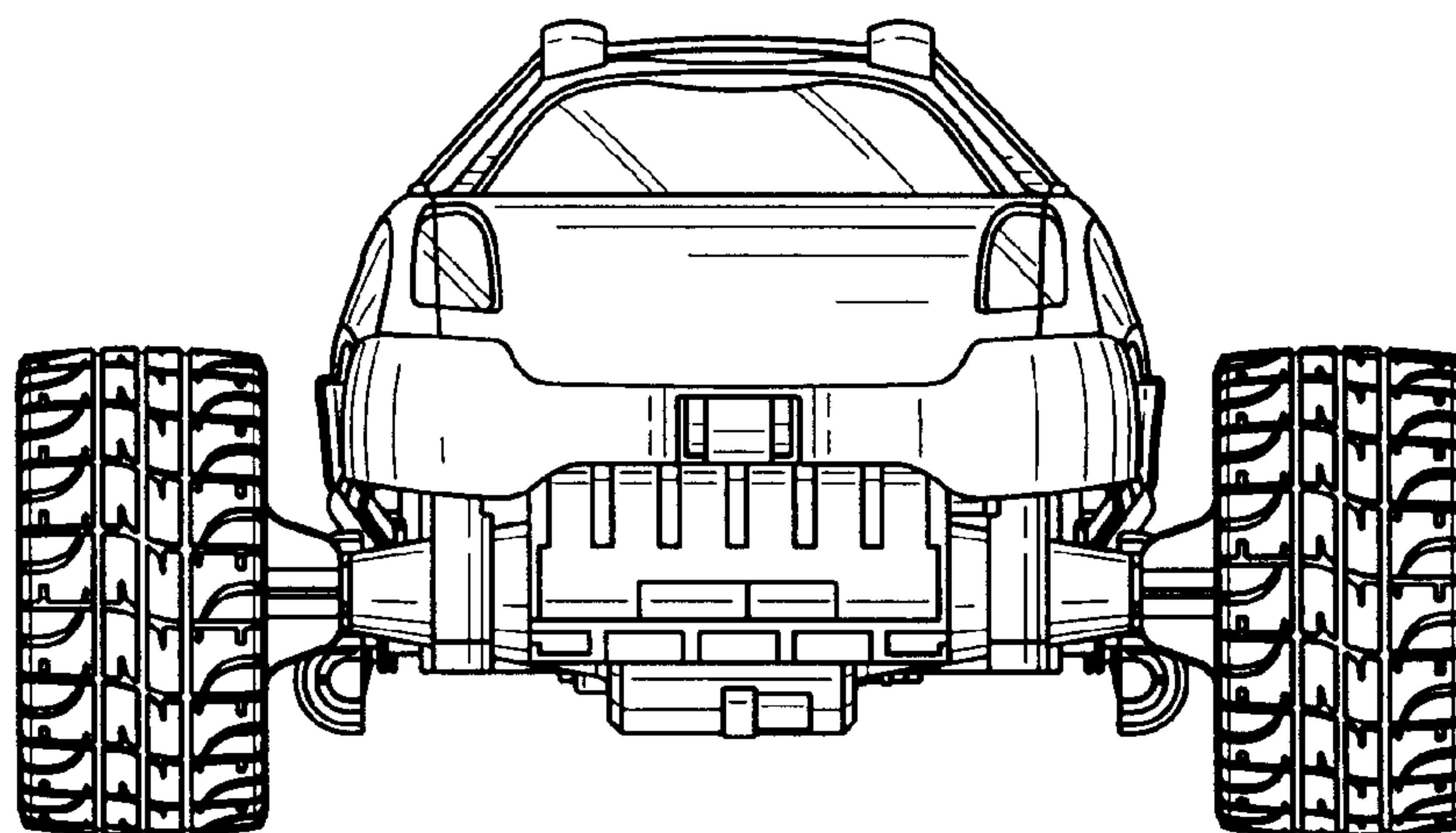


FIG. 3

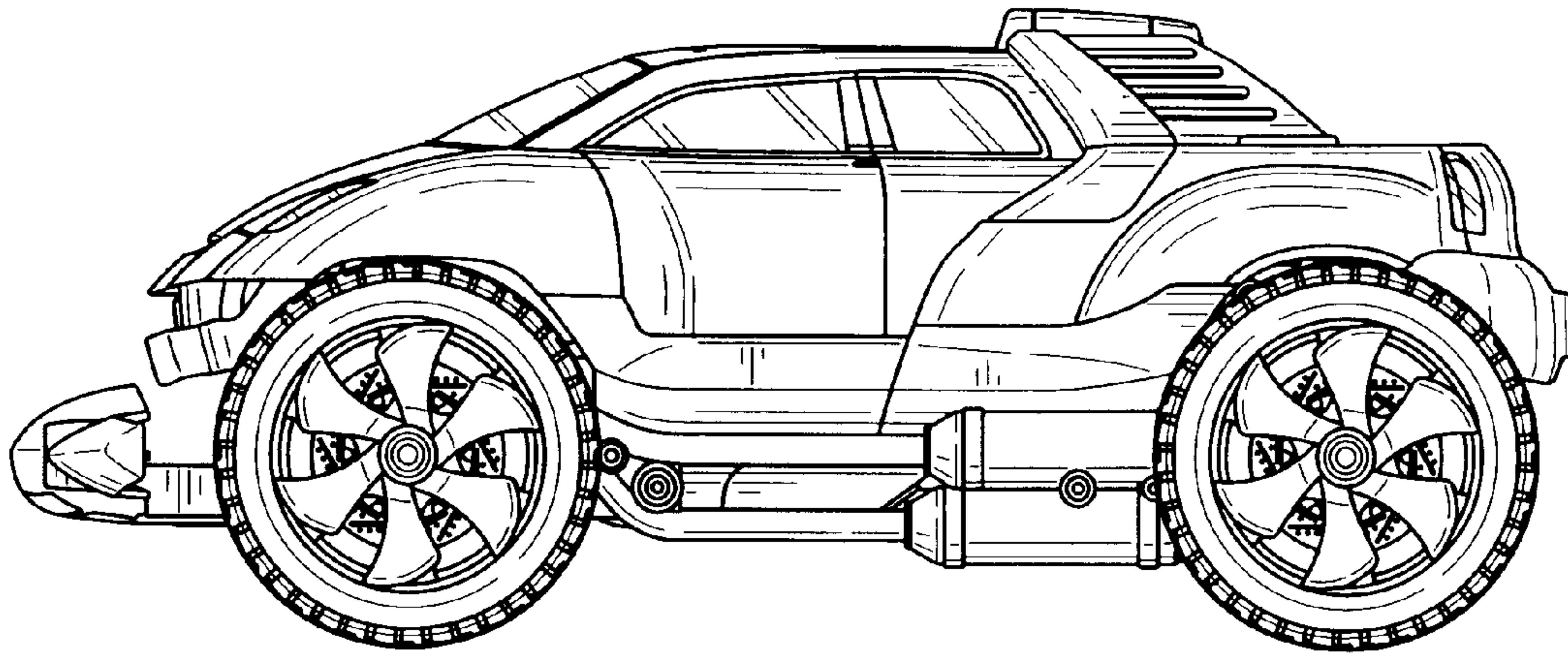


FIG. 4

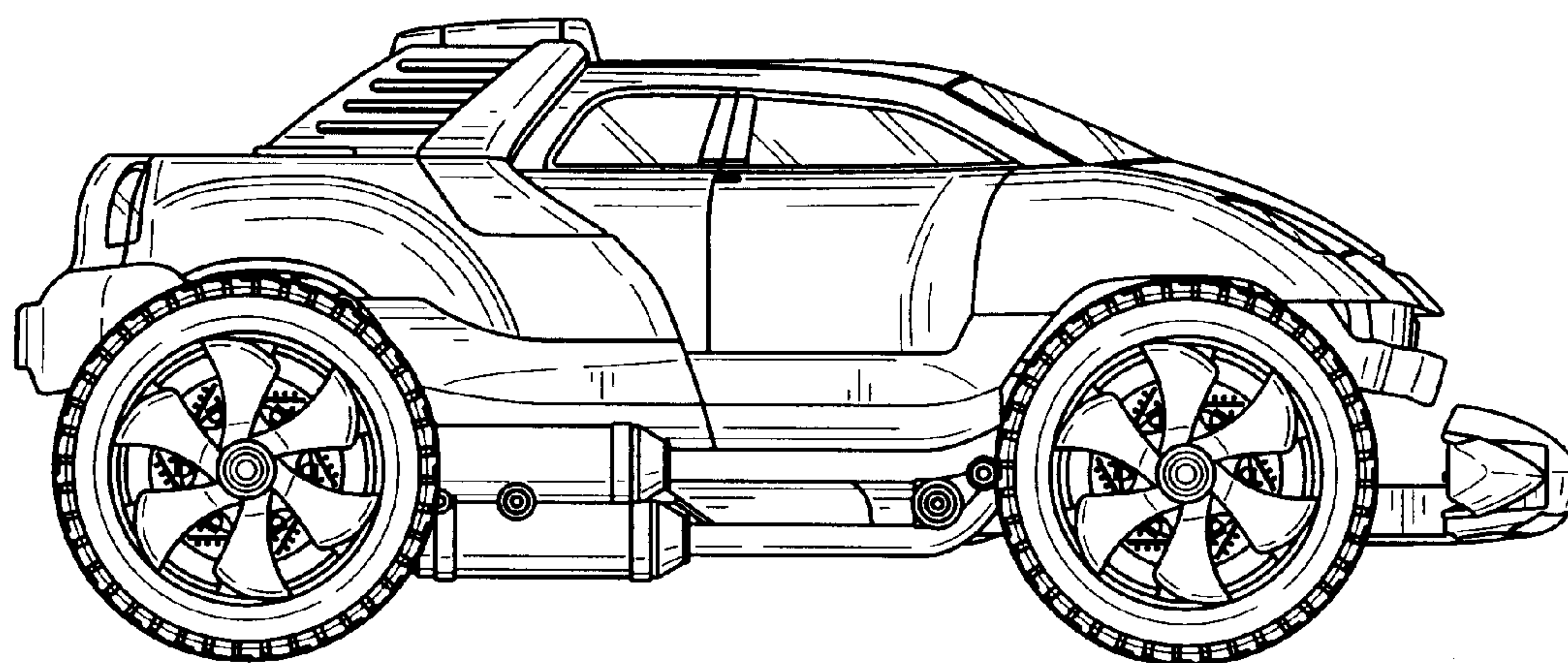


FIG. 5

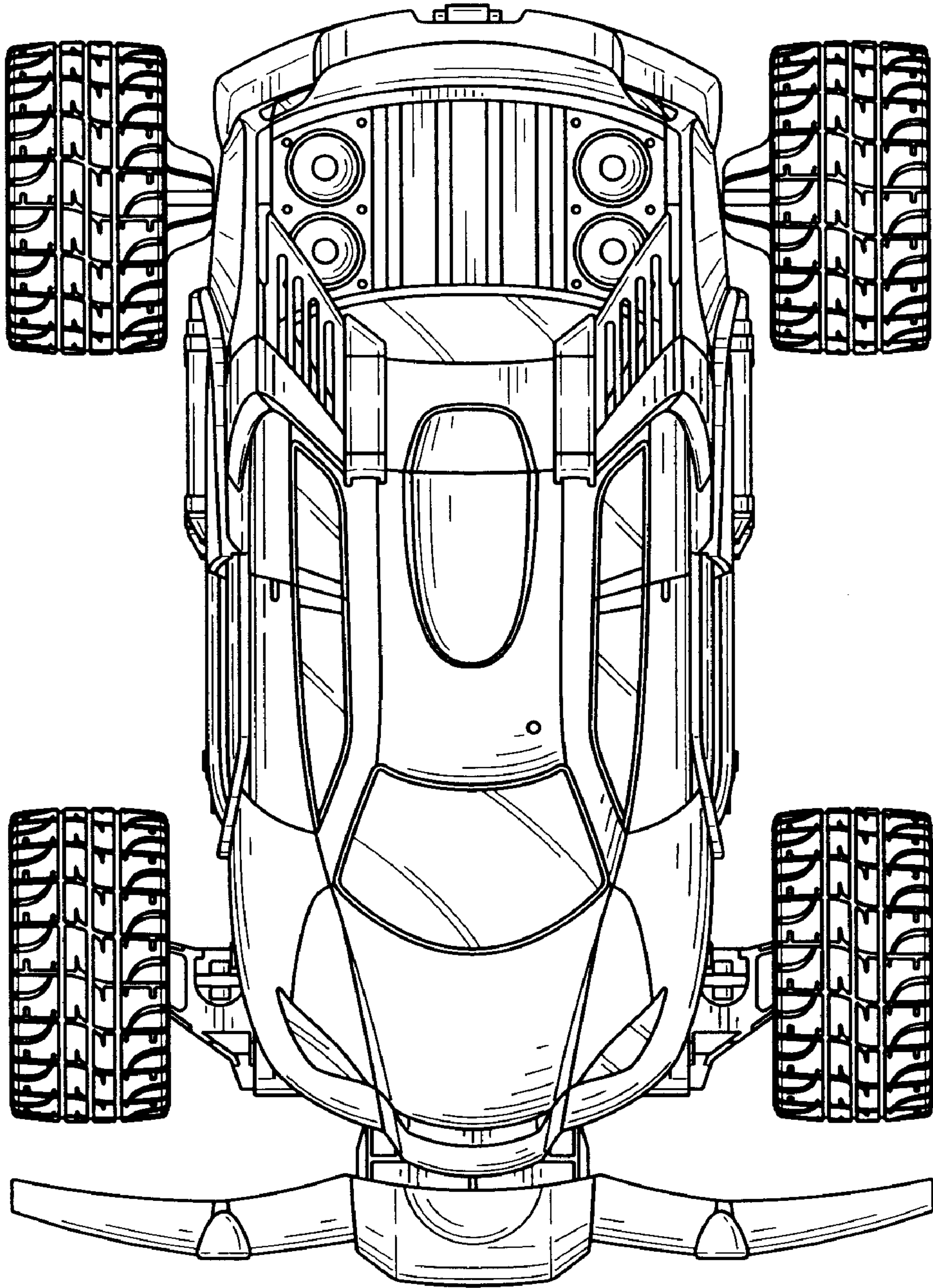


FIG. 6

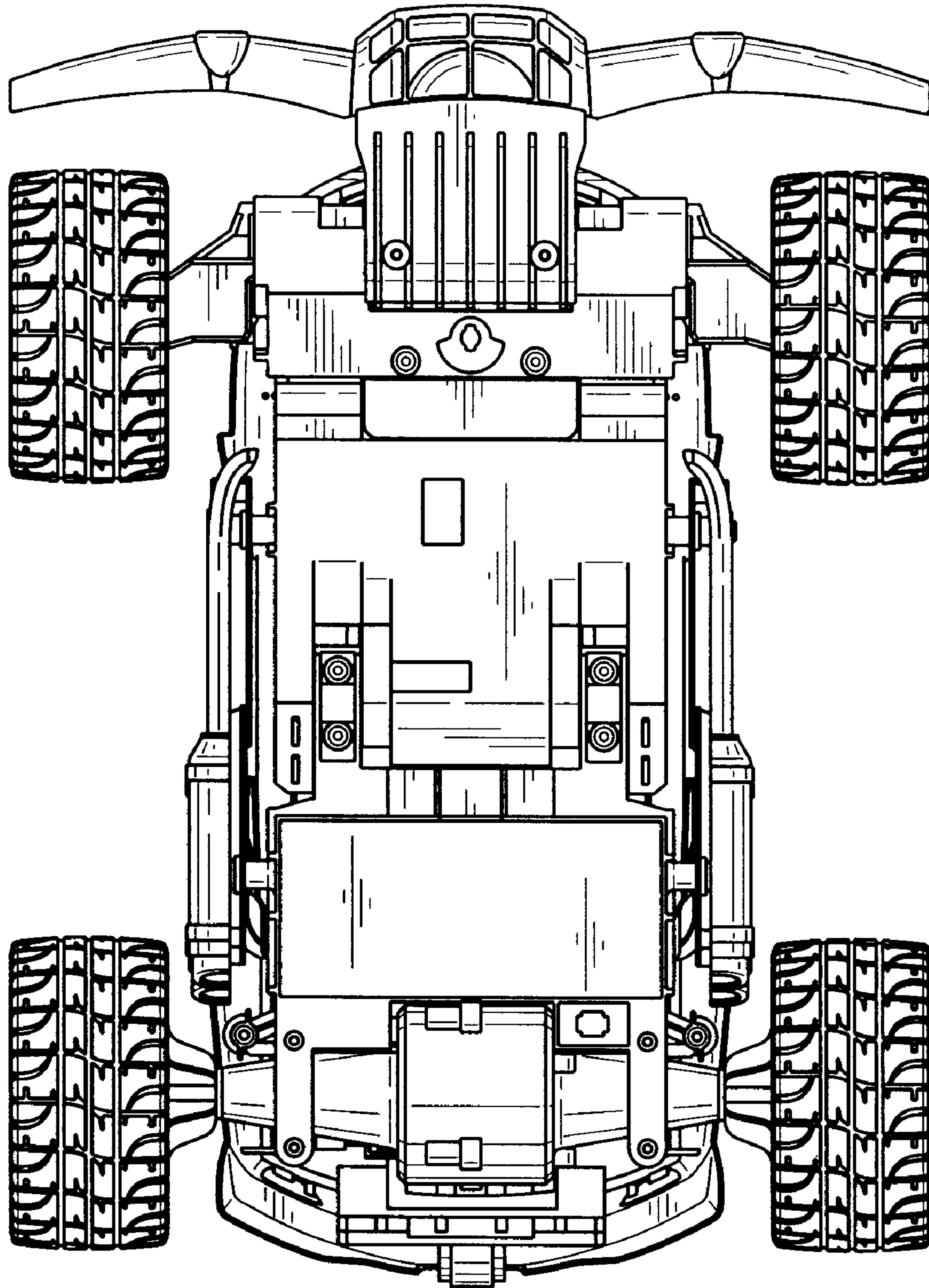


FIG. 7

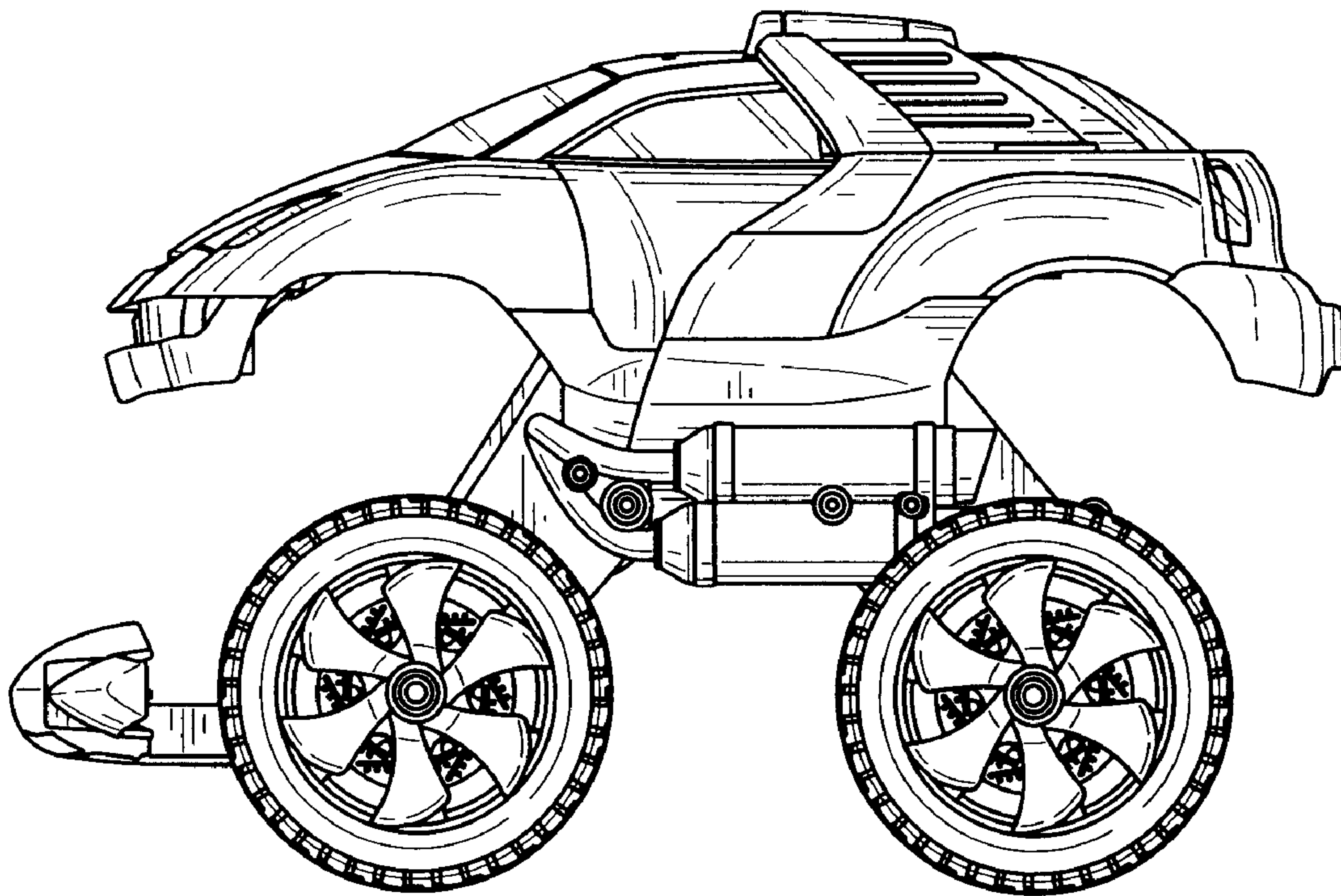


FIG. 8