



US00D538858S

(12) **United States Design Patent**
Mak Pui See et al.

(10) **Patent No.:** **US D538,858 S**
(45) **Date of Patent:** **** Mar. 20, 2007**

(54) **VIDEO GAME CONSOLE**

(75) Inventors: **Stephine Mak Pui See**, Hong Kong (HK); **Donny Chi Kit Leung**, Hong Kong (HK)

(73) Assignee: **Vtech Electronics, Ltd.**, Hong Kong (HK)

(**) **Term:** **14 Years**

(21) Appl. No.: **29/241,012**

(22) Filed: **Oct. 21, 2005**

(51) **LOC (8) Cl.** **21-01**

(52) **U.S. Cl.** **D21/324**

(58) **Field of Classification Search** D21/324, D21/328, 332, 333; D14/440, 401, 496; 273/148 B; 463/1, 29-35, 46, 47

See application file for complete search history.

(56) **References Cited**

U.S. PATENT DOCUMENTS

- 4,969,647 A * 11/1990 Mical et al. 463/31
- 4,976,435 A * 12/1990 Shatford et al. 463/36
- 5,643,087 A * 7/1997 Marcus et al. 463/38
- 5,766,077 A * 6/1998 Hongo 463/30
- 5,896,125 A * 4/1999 Niedzwiecki 345/168
- D412,940 S * 8/1999 Kato et al. D21/324

- D419,199 S * 1/2000 Cordell et al. D21/332
- 6,022,274 A * 2/2000 Takeda et al. 463/44
- D435,272 S * 12/2000 Swanson et al. D21/328
- 6,254,477 B1 * 7/2001 Sasaki et al. 463/1
- D483,809 S * 12/2003 Lim D21/324
- D503,750 S * 4/2005 Kit et al. D21/324

* cited by examiner

Primary Examiner—Prabhakar Deshmukh

(74) *Attorney, Agent, or Firm*—Greenberg Traurig LLP

(57) **CLAIM**

The ornamental design for video game console, as shown and described.

DESCRIPTION

FIG. 1 is a side perspective view of the video game console according to the invention, showing our new ornamental design;

FIG. 2 is a top plan view thereof;

FIG. 3 is a bottom plan view thereof;

FIG. 4 is a front elevational view thereof;

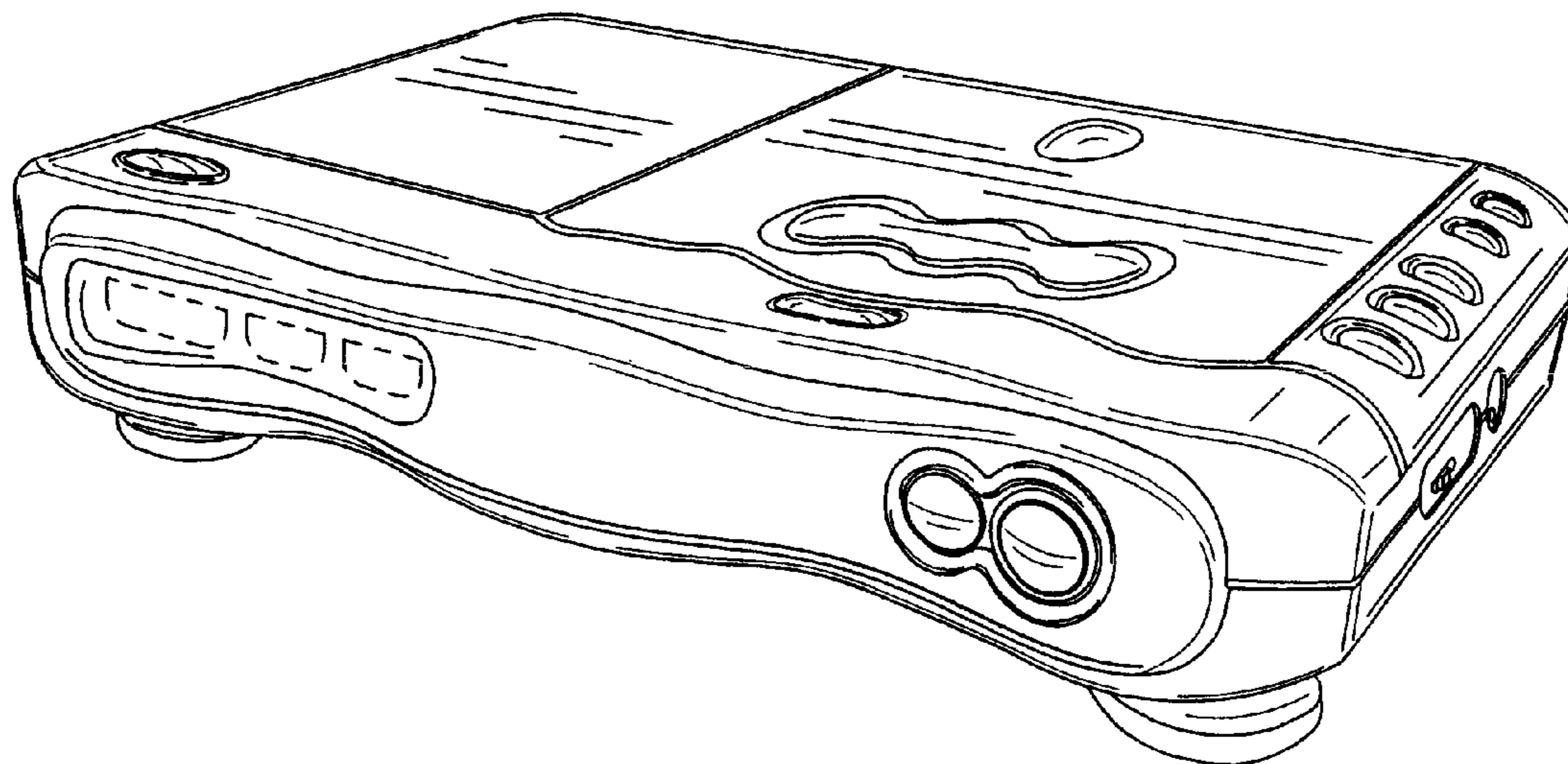
FIG. 5 is a rear elevational view thereof;

FIG. 6 is a left side elevational view thereof; and,

FIG. 7 is a right side elevational view thereof.

The broken lines are for illustrative purposes only and form no part of the presently claimed design.

1 Claim, 4 Drawing Sheets



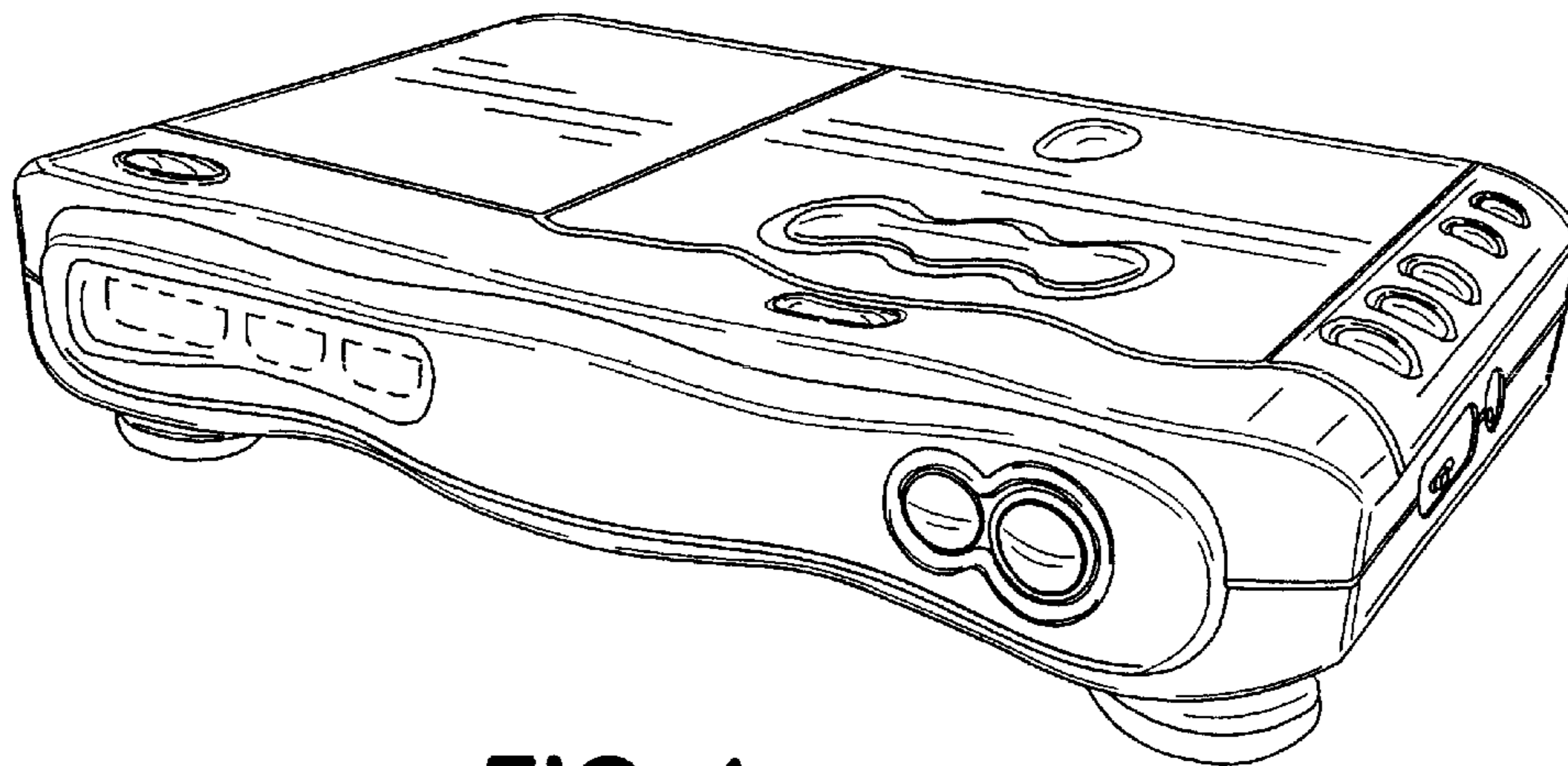


FIG. 1

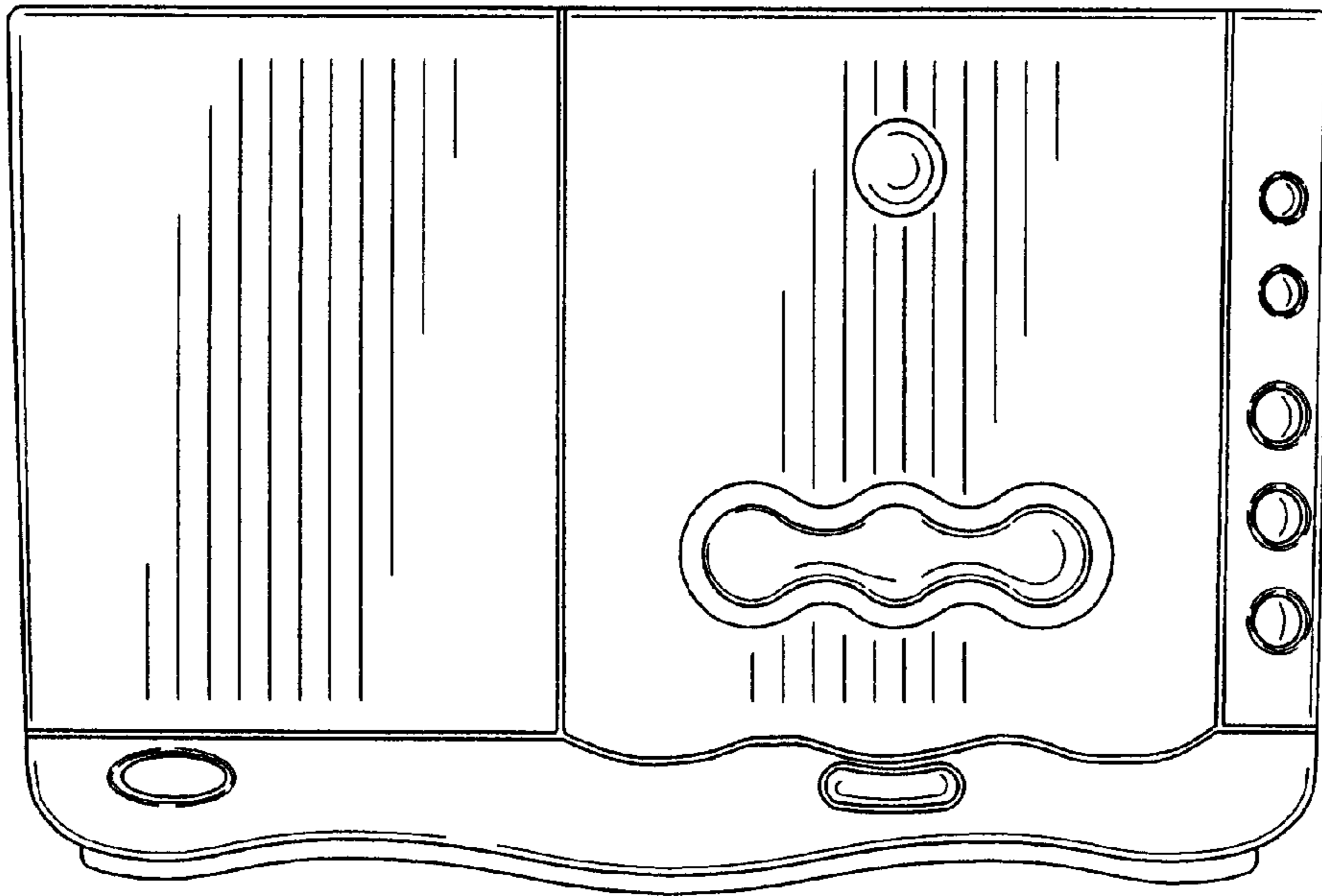


FIG. 2

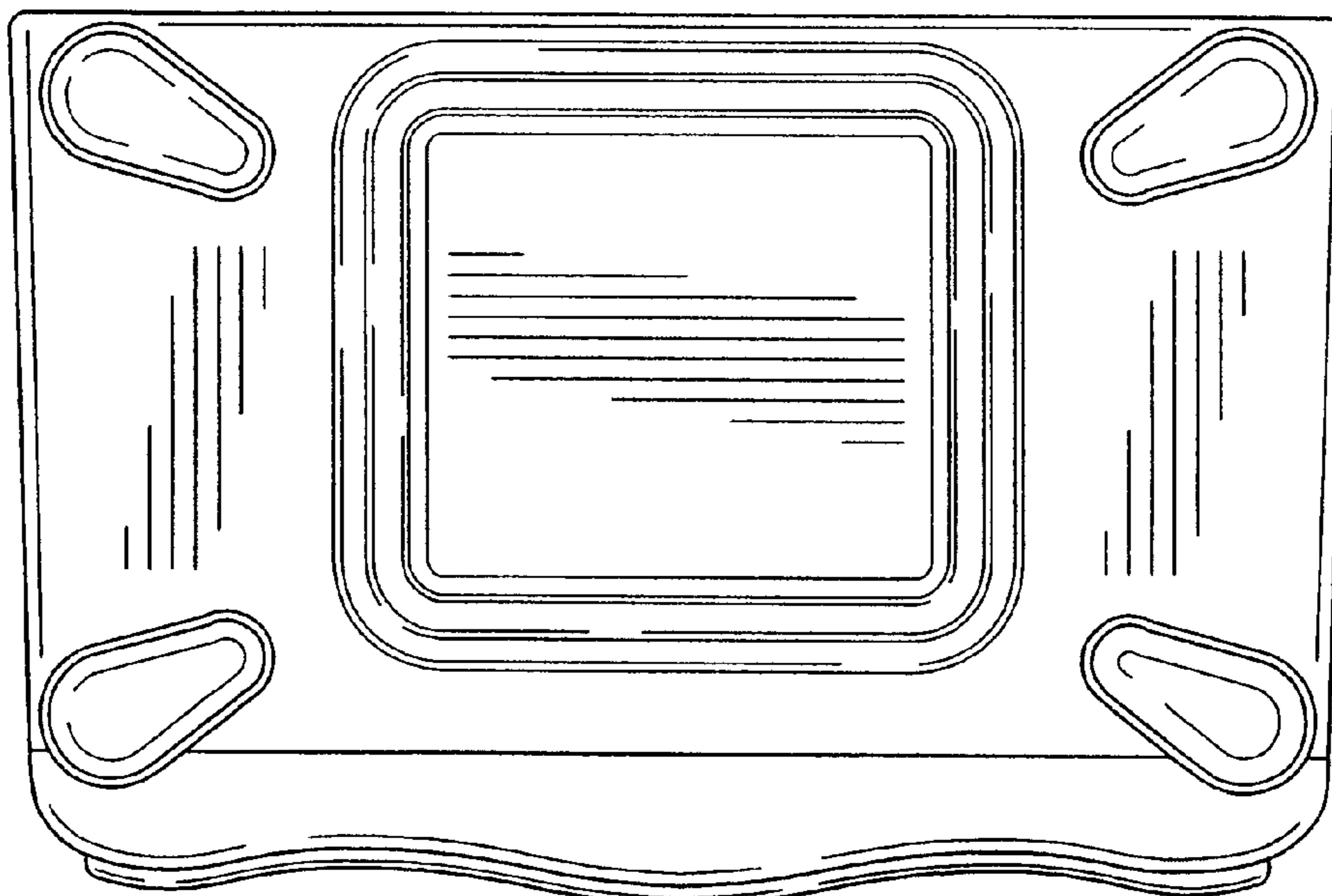


FIG. 3

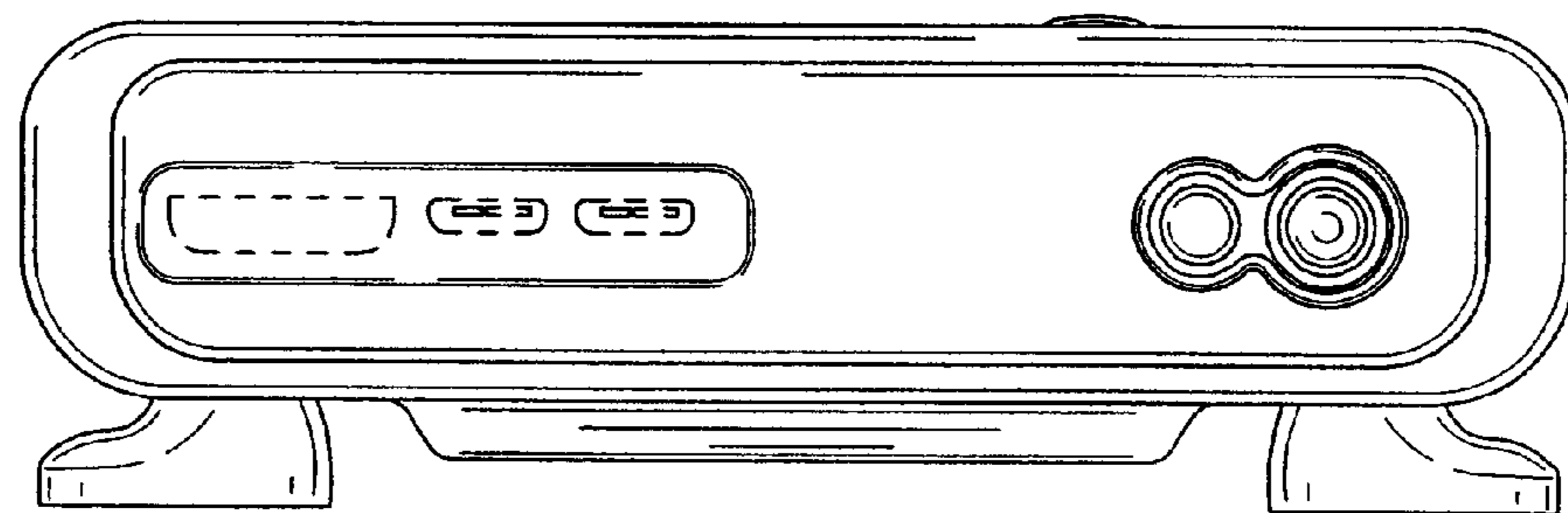


FIG. 4

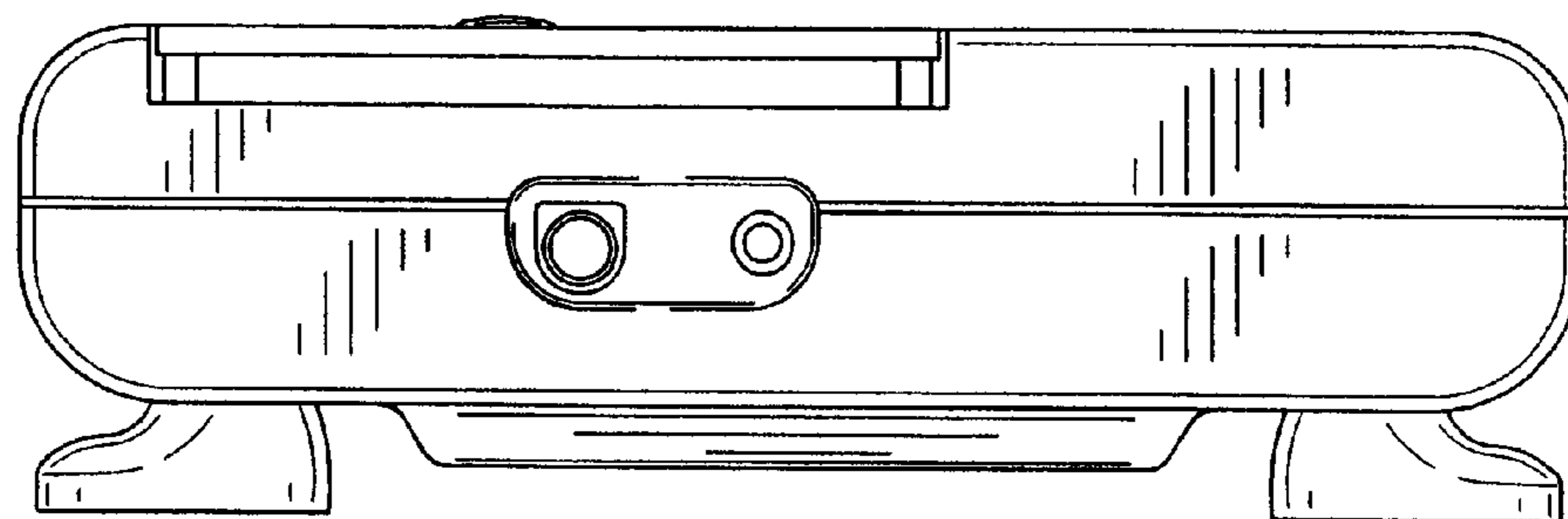


FIG. 5

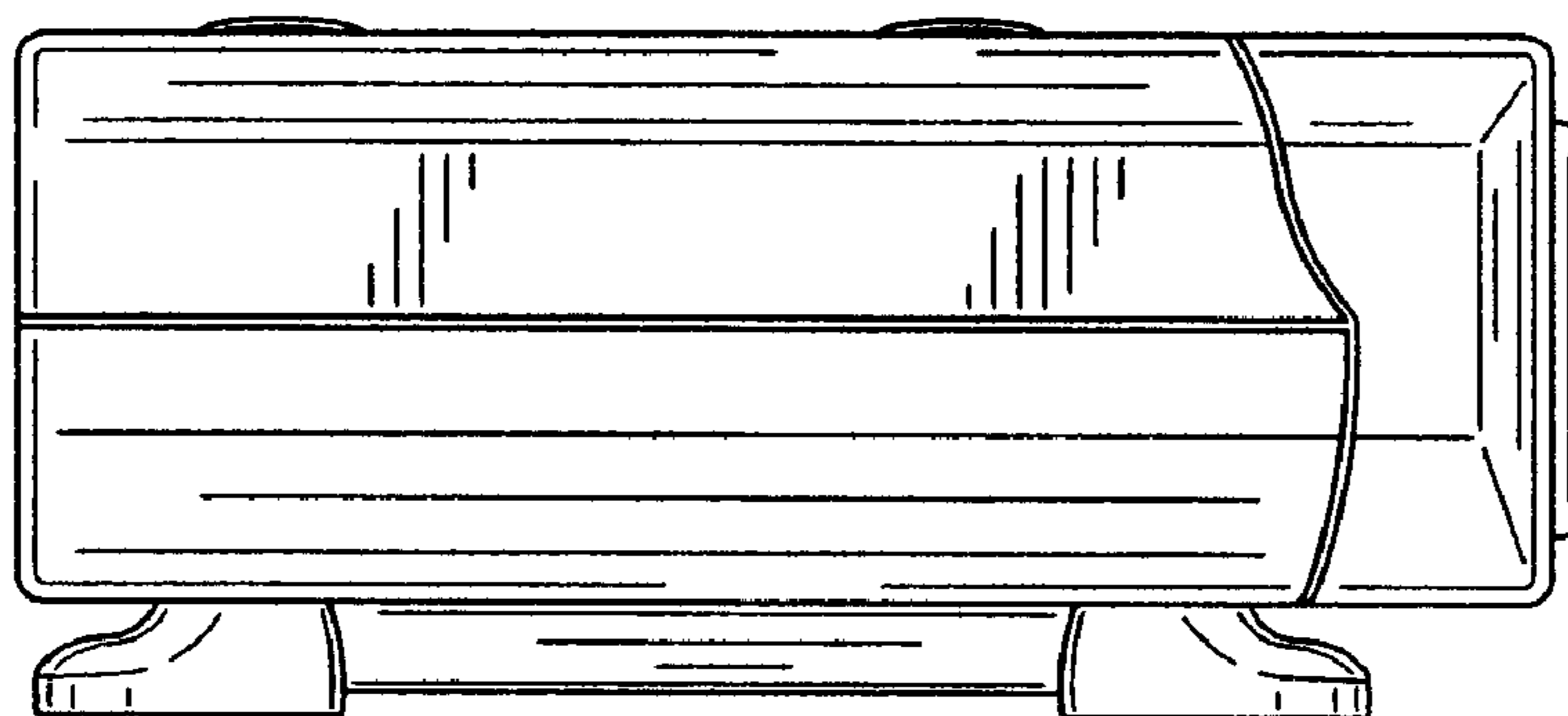


FIG. 6

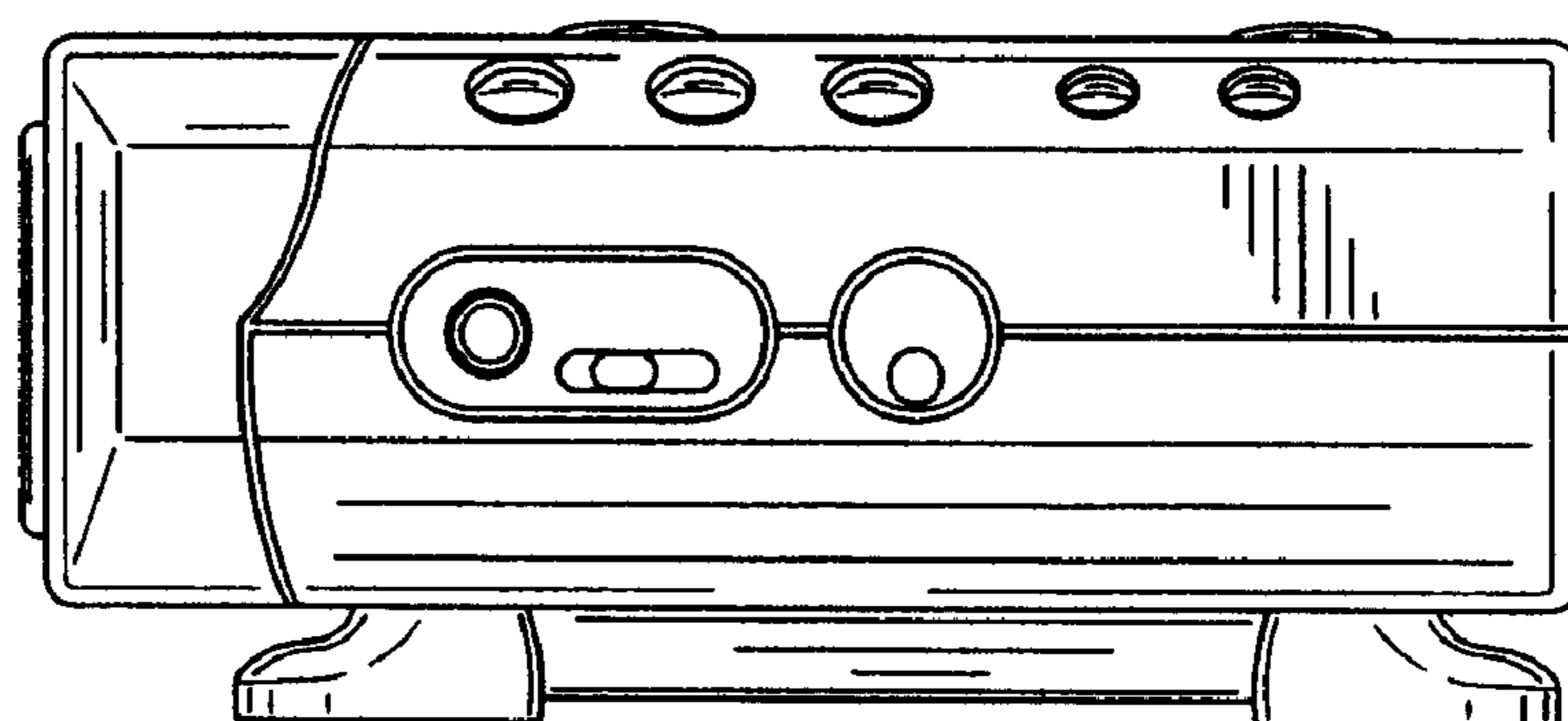


FIG. 7