



US00D538856S

(12) **United States Design Patent**  
**Bradford**

(10) **Patent No.:** **US D538,856 S**

(45) **Date of Patent:** **\*\* Mar. 20, 2007**

(54) **EDUCATIONAL GAME**

(75) Inventor: **Kimberly Bradford**, Grand Rapids, MI (US)

(73) Assignee: **School Specialty, Inc.**, Appleton, WI (US)

(\*\*) Term: **14 Years**

(21) Appl. No.: **29/241,872**

(22) Filed: **Nov. 1, 2005**

(51) **LOC (8) Cl.** ..... **19-07**

(52) **U.S. Cl.** ..... **D19/59**

(58) **Field of Classification Search** ..... D19/59-64;  
D21/484, 485, 489, 491, 499, 500; 434/110,  
434/128, 195; 446/102-109, 111-112, 114-116  
See application file for complete search history.

(56) **References Cited**

**U.S. PATENT DOCUMENTS**

3,690,017	A	9/1972	Holmquist	
D233,678	S	* 11/1974	Adler et al. ....	D21/491
D247,502	S	* 3/1978	Hanson .....	D19/59
4,571,189	A	* 2/1986	Shank .....	434/195
D285,587	S	* 9/1986	Murdough et al. ....	D21/491
4,752,227	A	* 6/1988	Yamin .....	434/110
4,775,321	A	* 10/1988	Comeaux et al. ....	434/110
D301,260	S	* 5/1989	McLaughlin et al. ....	D21/500
D379,380	S	* 5/1997	Delaney .....	D21/485
D411,591	S	* 6/1999	Laserna Fernandez ....	D21/500
6,224,381	B1	* 5/2001	Culberson et al. ....	434/107
D456,463	S	* 4/2002	Sorensen .....	D21/499
D465,247	S	* 11/2002	Sorensen .....	D21/500
D486,183	S	* 2/2004	DeMaison .....	D19/59

\* cited by examiner

*Primary Examiner*—Louis Zarfaz

*Assistant Examiner*—Mark Cavanna

(74) *Attorney, Agent, or Firm*—Nicholas A. Kees; Roxana Wizorek; Godfrey & Kahn, S.C.

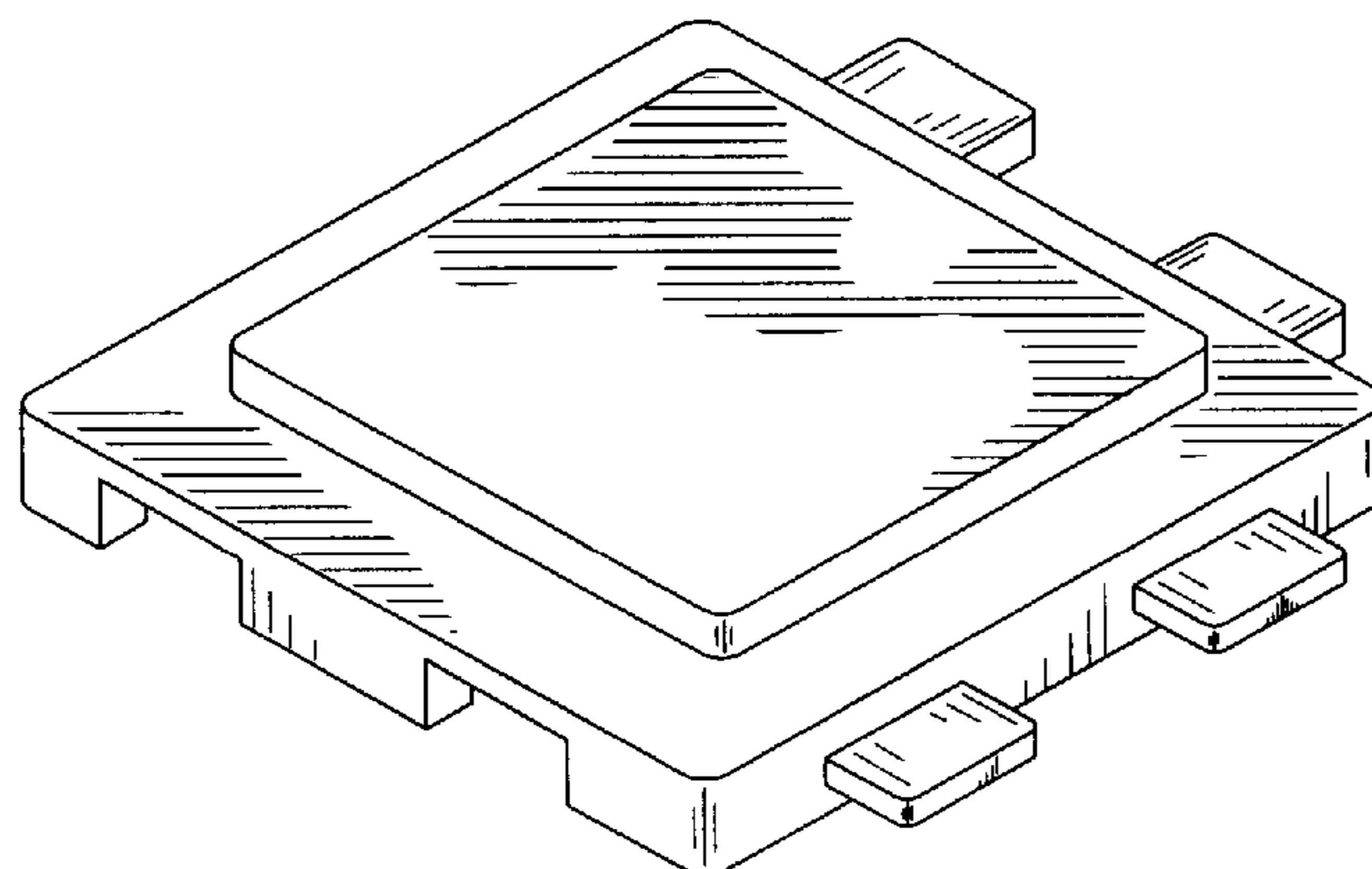
(57) **CLAIM**

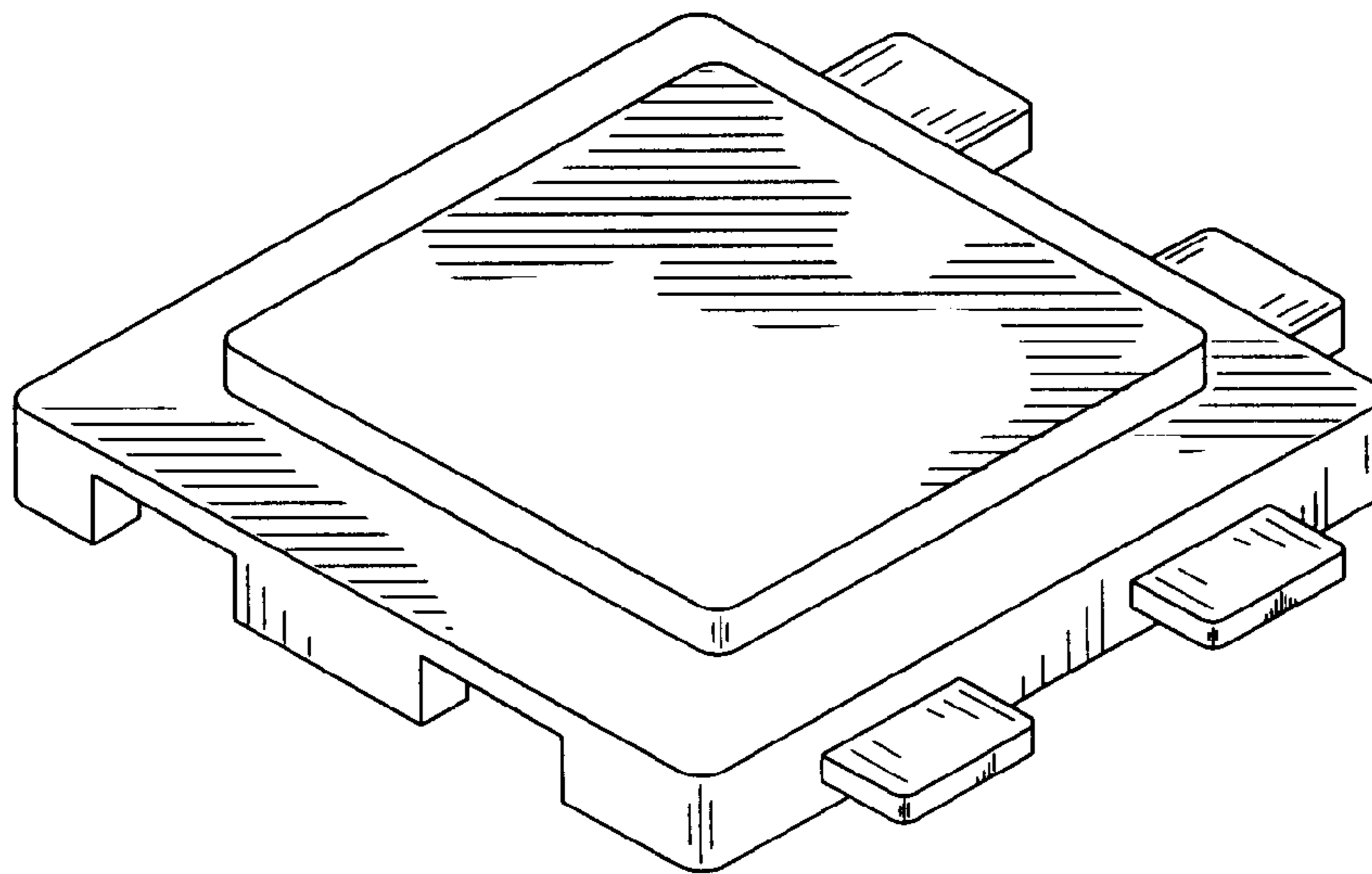
The ornamental design of an educational game, as shown and described.

**DESCRIPTION**

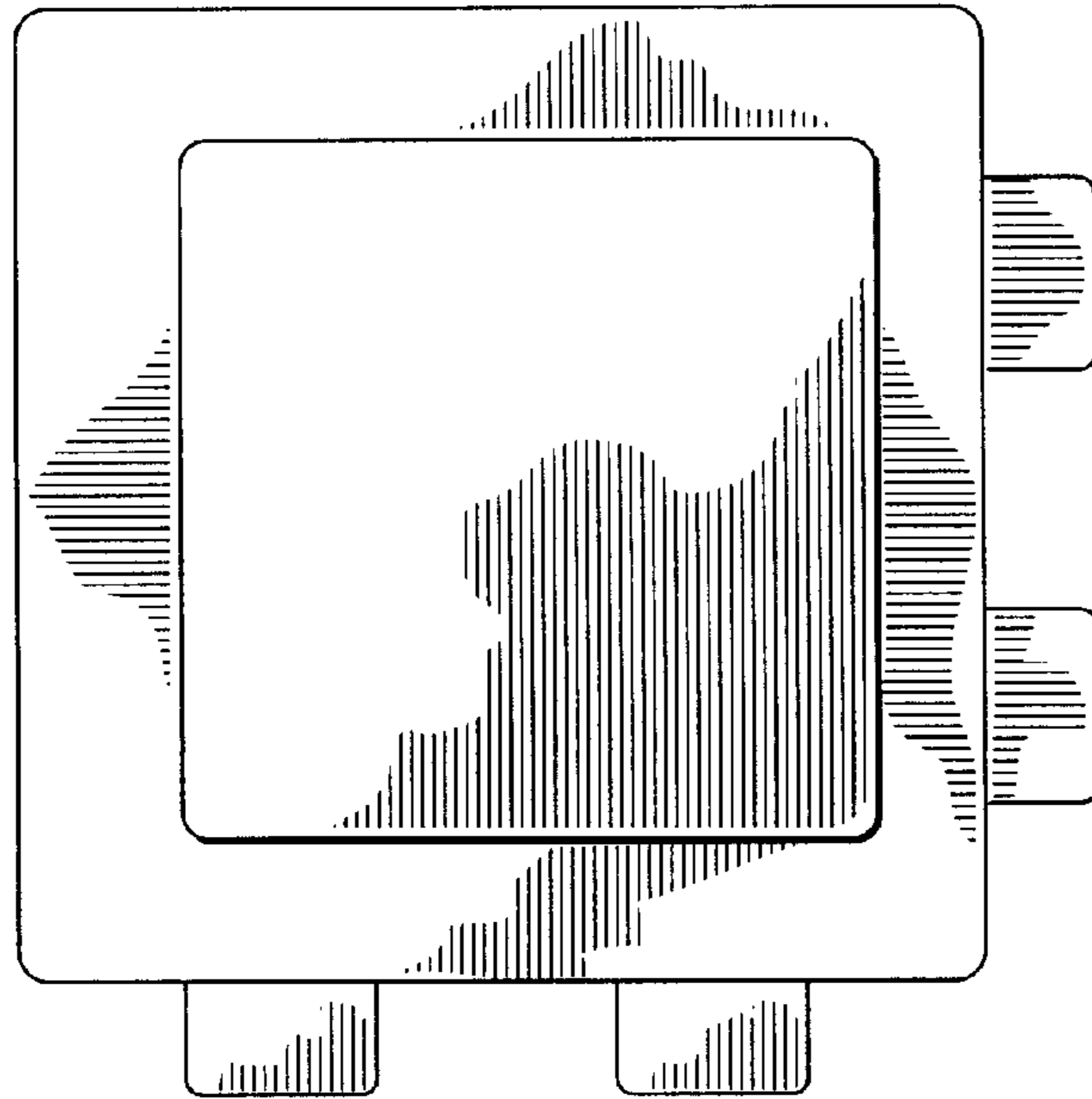
FIG. 1 is a perspective view of a single unit play piece of the educational game, according to my new design;  
 FIG. 2 is a top view thereof;  
 FIG. 3 is a bottom view thereof;  
 FIG. 4 is a right side view thereof;  
 FIG. 5 is a back view thereof;  
 FIG. 6 is a left side view thereof;  
 FIG. 7 is a front view thereof;  
 FIG. 8 is a perspective view of five-unit play piece;  
 FIG. 9 is a top view thereof;  
 FIG. 10 is a bottom view thereof;  
 FIG. 11 is a right side view thereof;  
 FIG. 12 is a back view thereof;  
 FIG. 13 is a left side view thereof;  
 FIG. 14 is a front view thereof;  
 FIG. 15 is a perspective view of ten-unit play piece;  
 FIG. 16 is a top view thereof;  
 FIG. 17 is a bottom view thereof;  
 FIG. 18 is a right side view thereof;  
 FIG. 19 is a back view thereof;  
 FIG. 20 is a left side view thereof;  
 FIG. 21 is a front view thereof;  
 FIG. 22 is a perspective view of two ten-unit play pieces and a five-unit play piece shown in condition of use;  
 FIG. 23 is a top view of thereof;  
 FIG. 24 is a bottom view of thereof;  
 FIG. 25 is a right side view of thereof;  
 FIG. 26 is a back view of thereof;  
 FIG. 27 is a left side view of thereof;  
 FIG. 28 is a front view of thereof;  
 FIG. 29 is a top view of four ten-unit play pieces and a single unit play piece shown in condition of use on the play board;  
 FIG. 30 is a right side view of thereof;  
 FIG. 31 is a back view of thereof;  
 FIG. 32 is a left side view of thereof;  
 FIG. 33 is a front view of thereof; and,  
 FIG. 34 is a bottom view of thereof.

**1 Claim, 16 Drawing Sheets**

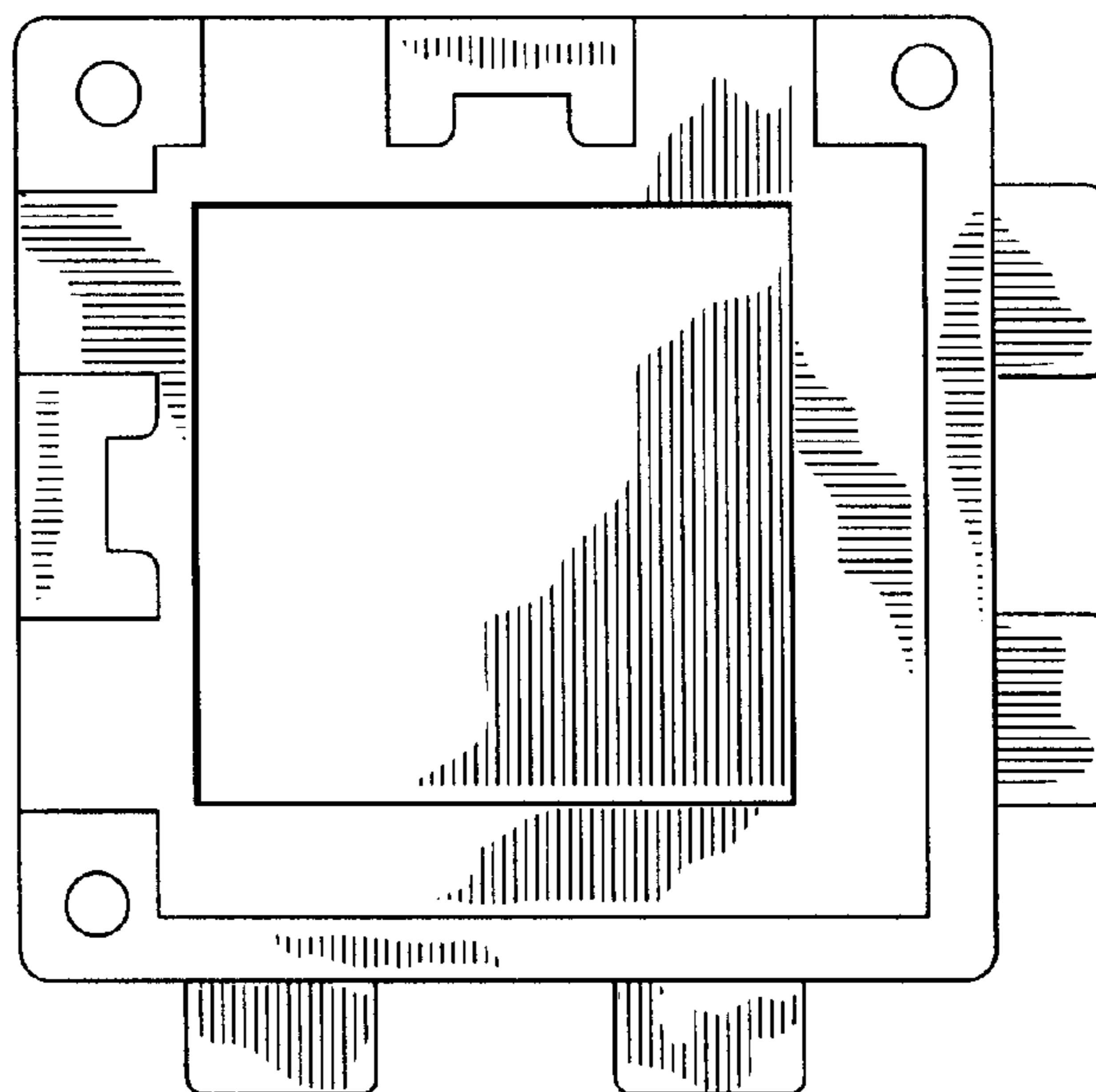




**FIG. 1**

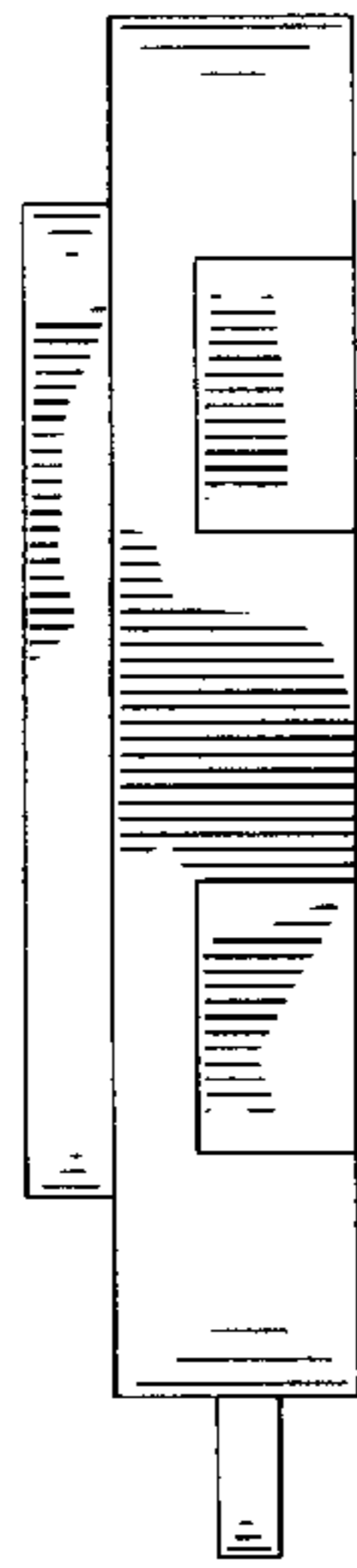


**FIG. 2**

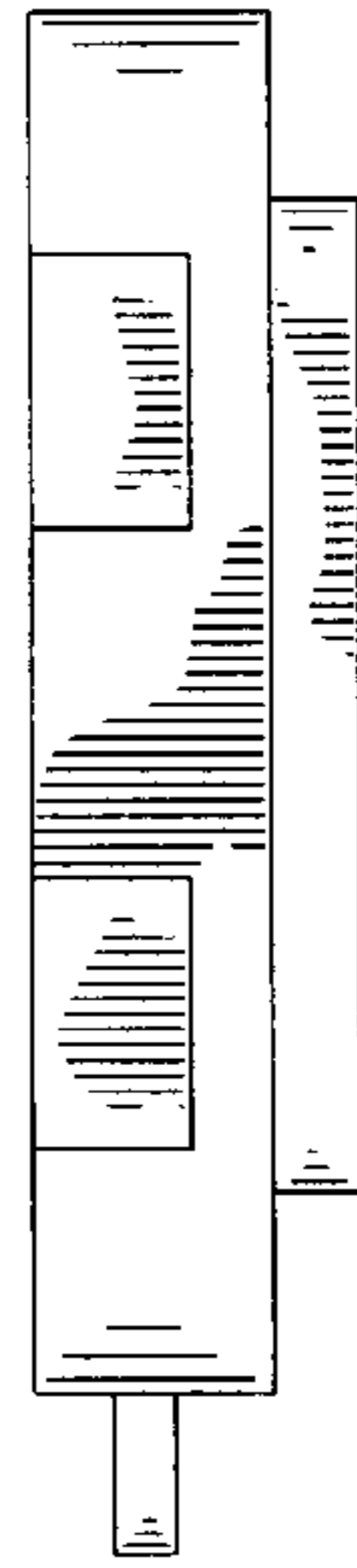


**FIG. 3**

**FIG. 4**



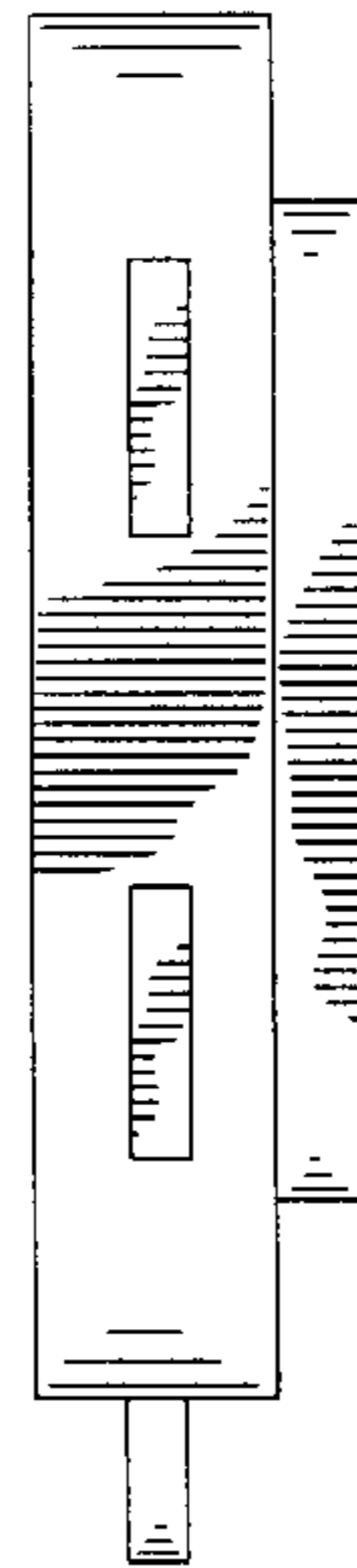
**FIG. 5**

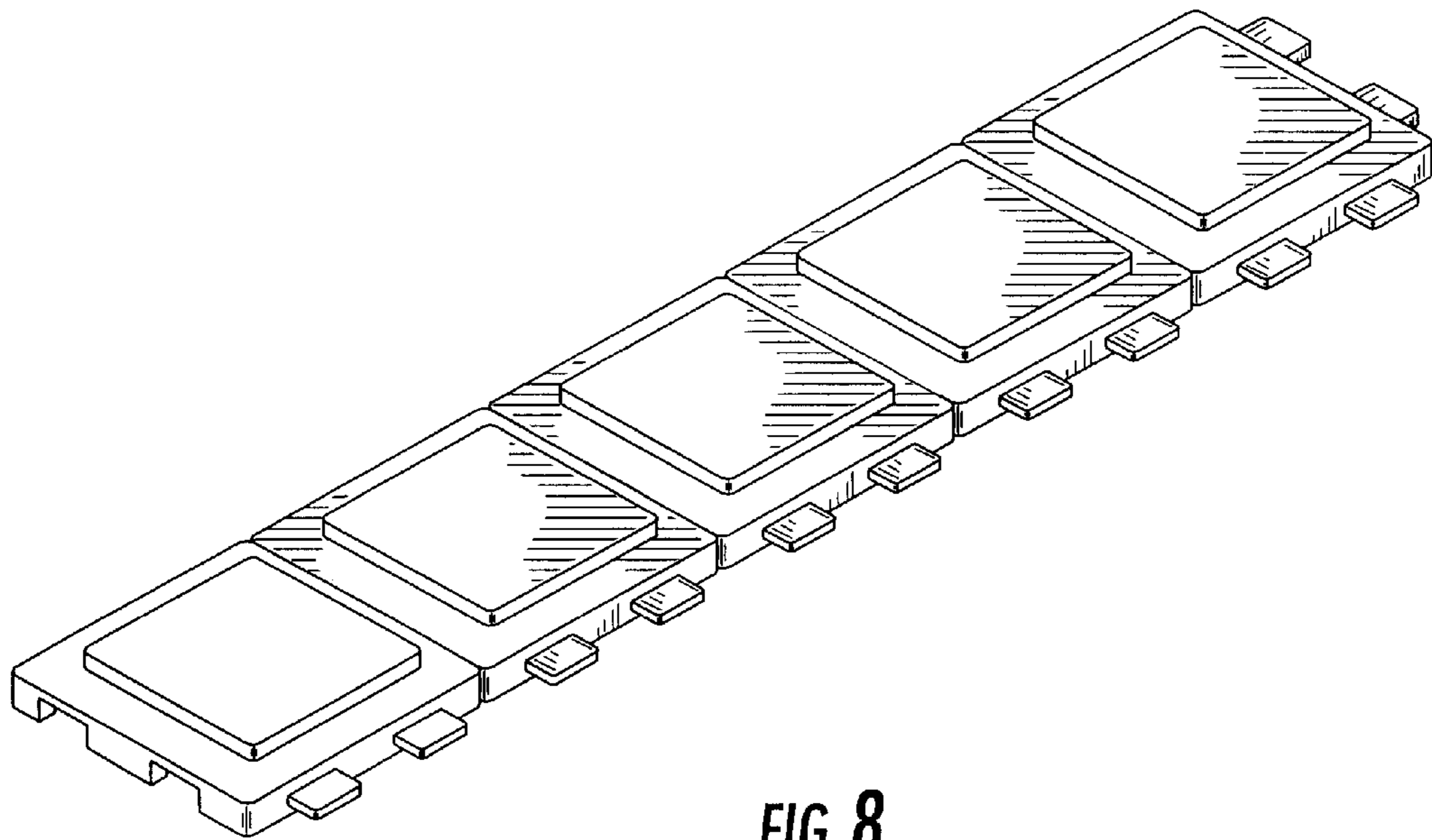


**FIG. 6**



**FIG. 7**





**FIG. 8**

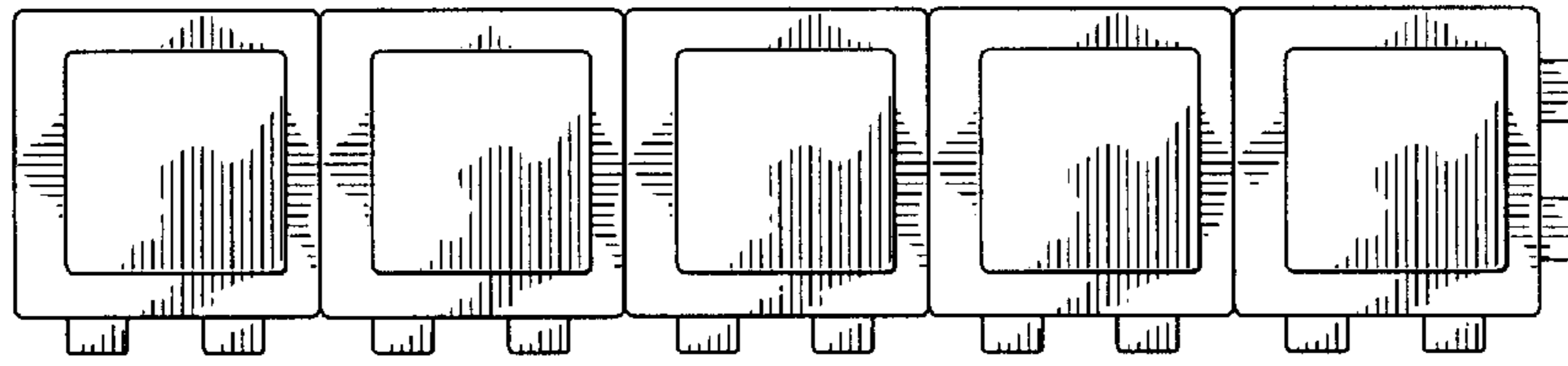


FIG. 9

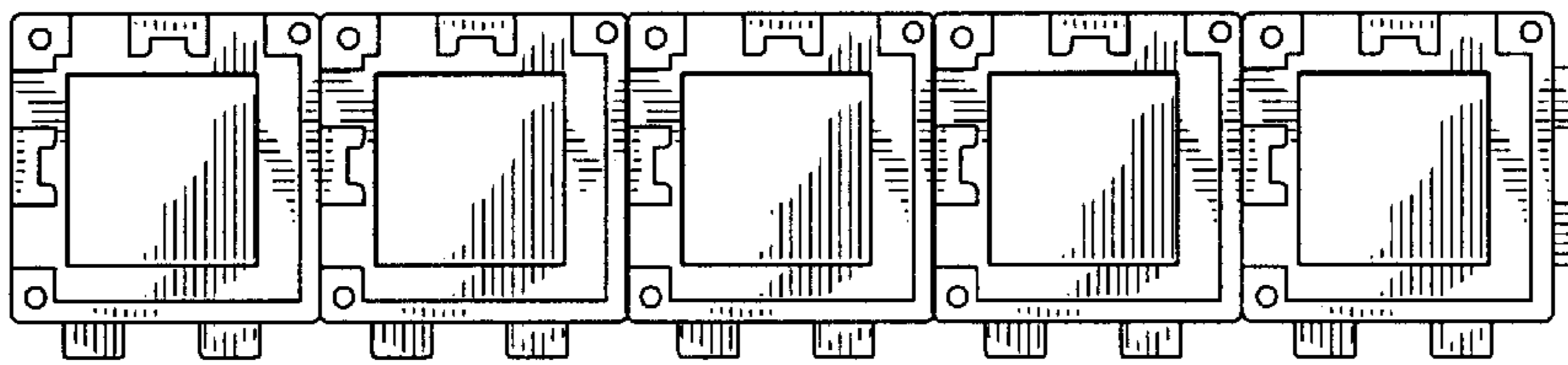


FIG. 10



FIG. 11



FIG. 12



FIG. 13



FIG. 14

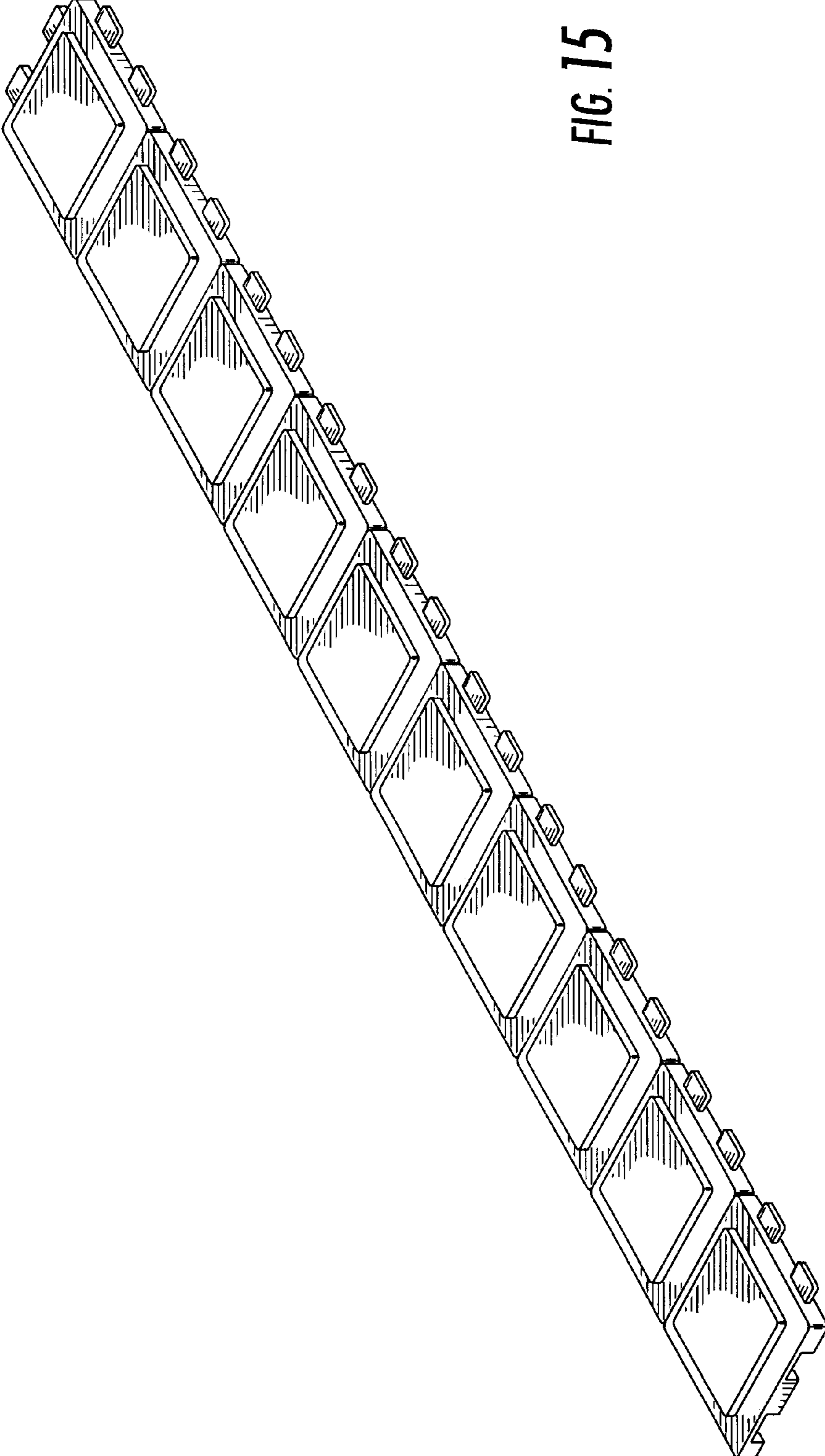
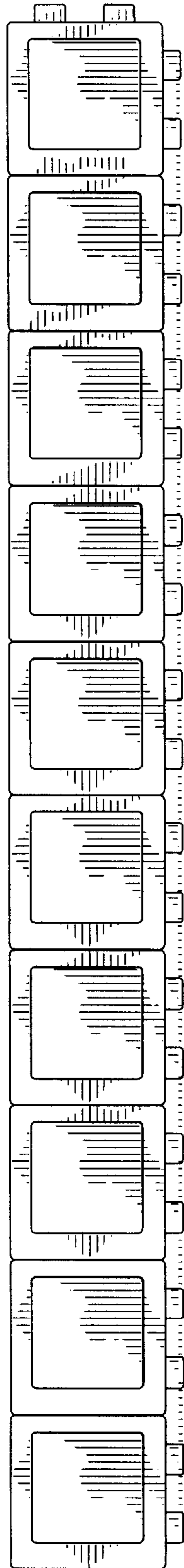
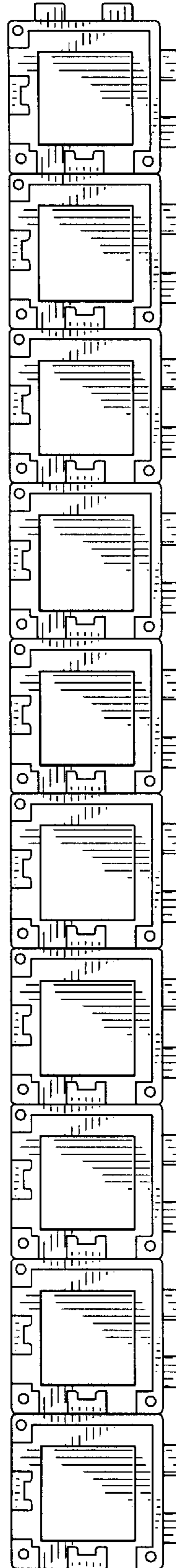


FIG. 15



**FIG. 16**



**FIG. 17**



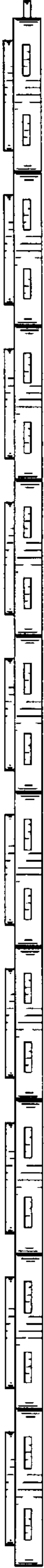


FIG. 18



FIG. 19



FIG. 20



FIG. 21

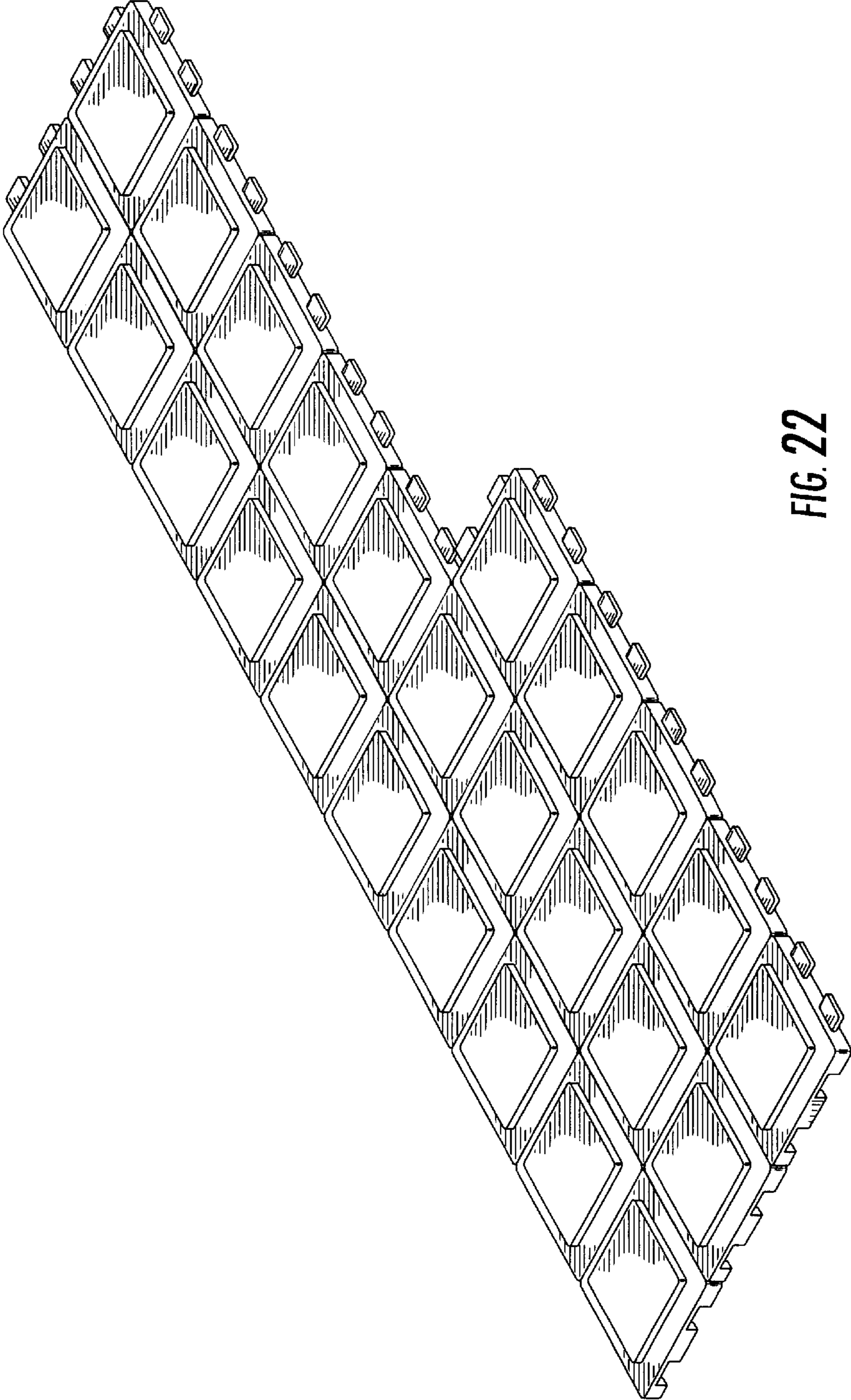


FIG. 22

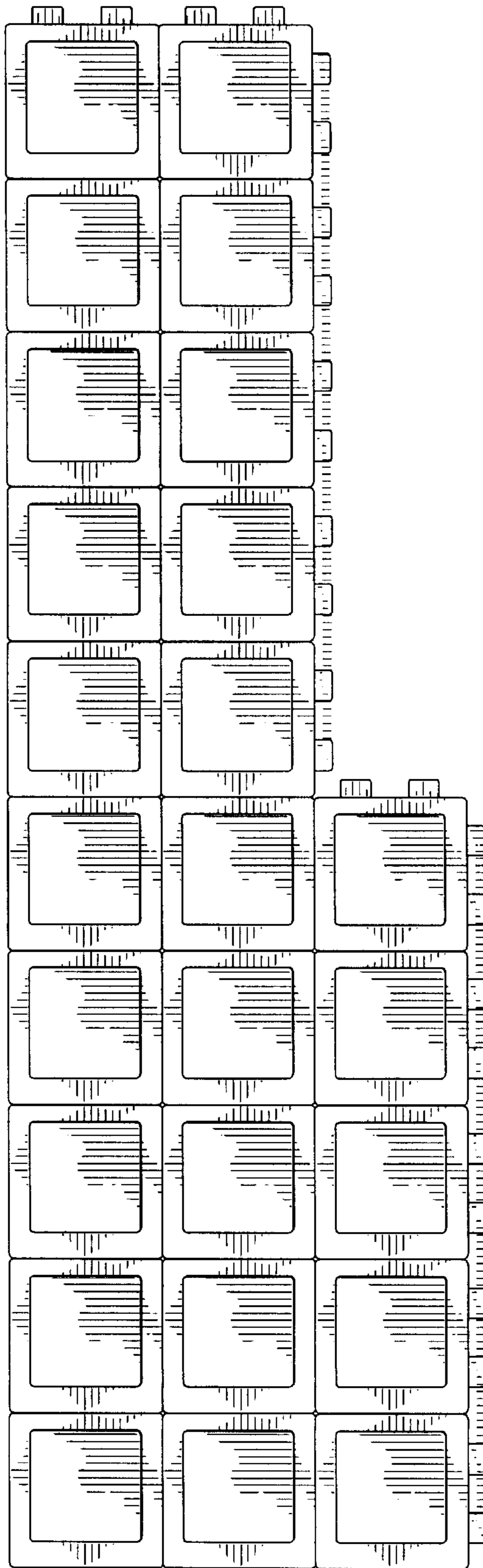


FIG. 23

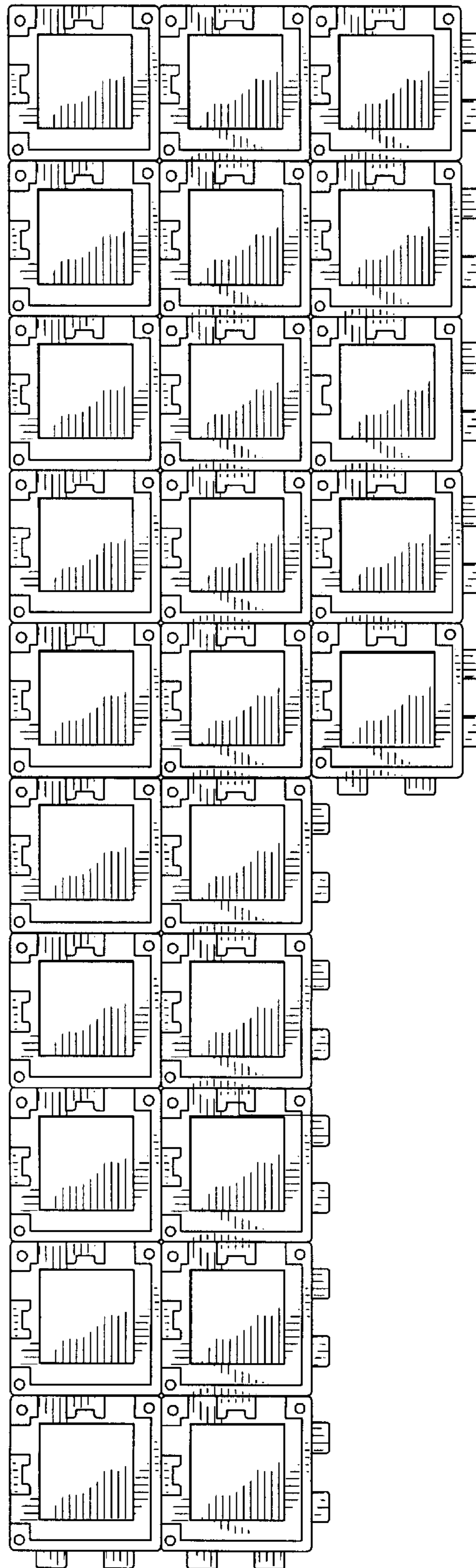


FIG. 24



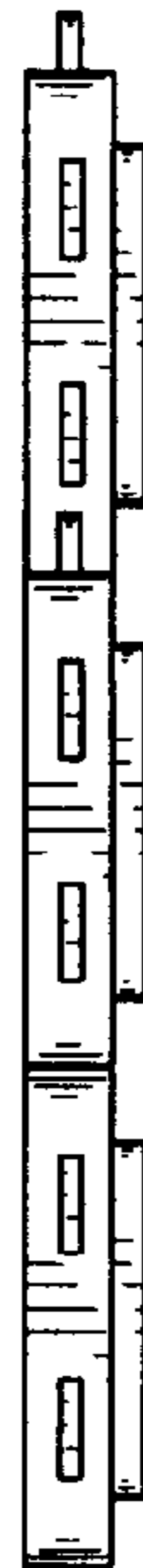
*FIG. 25*



*FIG. 26*

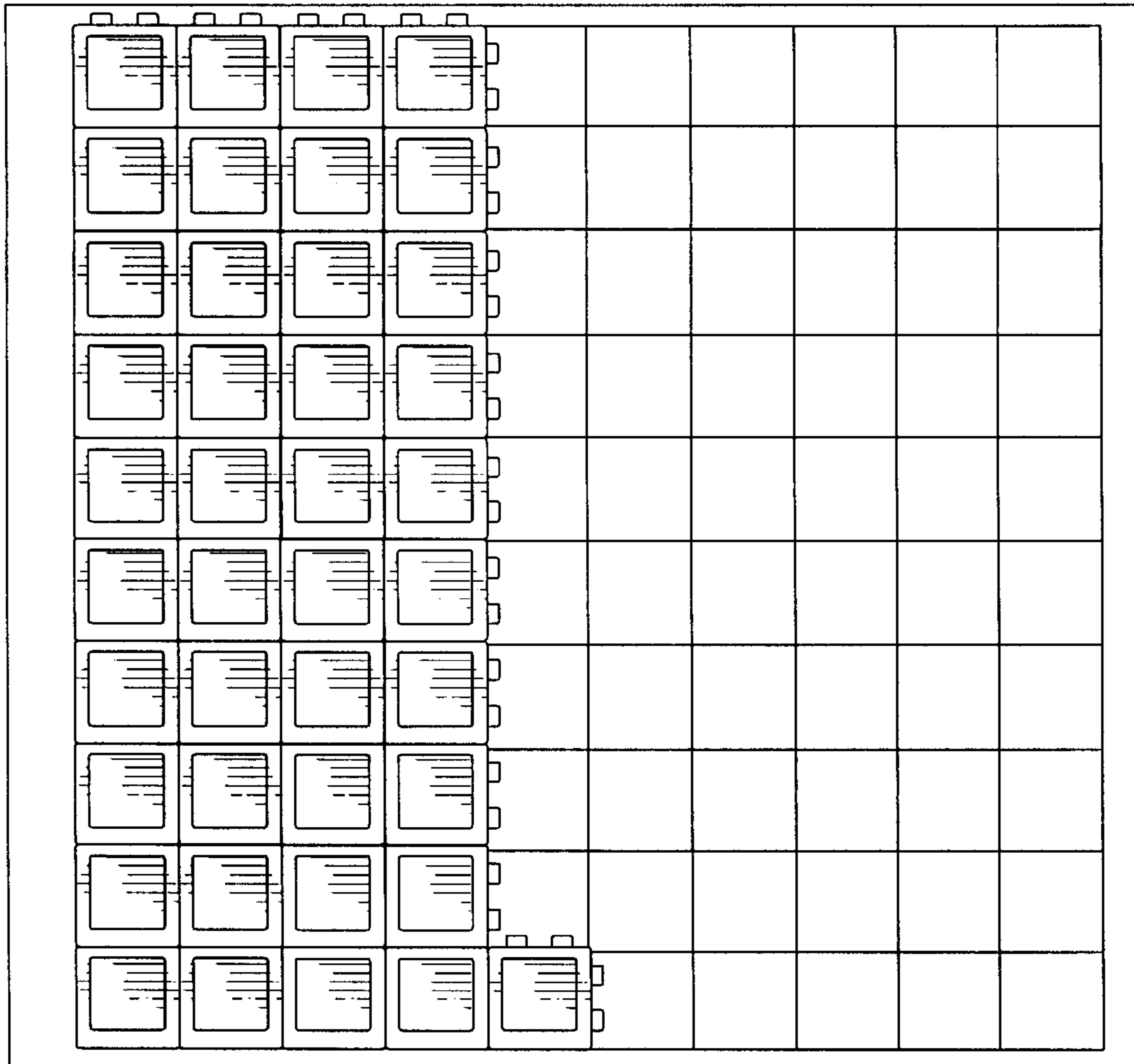


*FIG. 27*



*FIG. 28*

FIG. 29



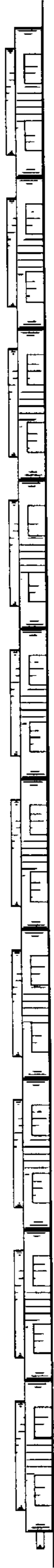


FIG. 30

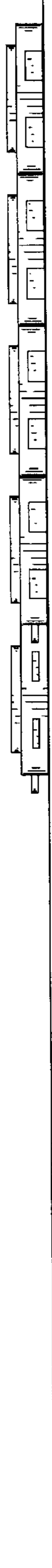


FIG. 31

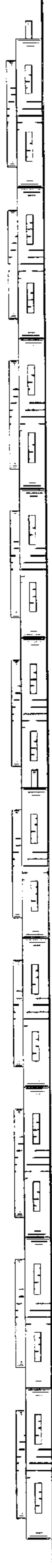


FIG. 32



FIG. 33



FIG. 34

