



US00D538850S

(12) **United States Design Patent**
Choi et al.

(10) **Patent No.:** **US D538,850 S**

(45) **Date of Patent:** **** Mar. 20, 2007**

(54) **CONTAINER FOR TONER OF PRINTER**

(75) Inventors: **Sam Seok Choi**, Gyeonggi-Do (KR);
Jeong Hun Pang, Gyeonggi-Do (KR);
Hae Seog Jo, Gyeonggi-Do (KR)

(73) Assignee: **Samsung Electronics Co., Ltd.** (KR)

(**) Term: **14 Years**

(21) Appl. No.: **29/245,661**

(22) Filed: **Dec. 27, 2005**

(30) **Foreign Application Priority Data**

Sep. 29, 2005 (KR) 30-2005-0032979

(51) **LOC (8) Cl.** **18-02**

(52) **U.S. Cl.** **D18/56**

(58) **Field of Classification Search** D18/12,
D18/40, 43, 56; D14/481, 483; 347/29, 33,
347/49-50, 86-87, 178, 214; 399/25, 110
See application file for complete search history.

(56) **References Cited**

U.S. PATENT DOCUMENTS

- D240,201 S * 6/1976 Avolio et al. D18/43
- 5,091,750 A * 2/1992 Yoshida et al. D18/40
- D330,215 S * 10/1992 Saito et al. D18/43
- D332,280 S * 1/1993 Yoshida et al. D18/43
- D374,249 S * 10/1996 Isomoto et al. D18/43

- D397,141 S * 8/1998 Ichimaru et al. D18/43
- D403,348 S * 12/1998 Matsuoka et al. D18/43
- D451,949 S * 12/2001 Aritomo et al. D18/43
- D468,345 S * 1/2003 Tanaka et al. D18/43
- D473,588 S * 4/2003 Wang et al. D18/43
- D502,731 S * 3/2005 Yamada D18/43
- 6,966,624 B2 * 11/2005 Takahashi et al. 347/29
- 2002/0008735 A1 * 1/2002 Lee et al. 347/50
- 2005/0151810 A1 * 7/2005 Graham et al. 347/86

* cited by examiner

Primary Examiner—Cathy Anne MacCormac

(74) *Attorney, Agent, or Firm*—Irving Keschner

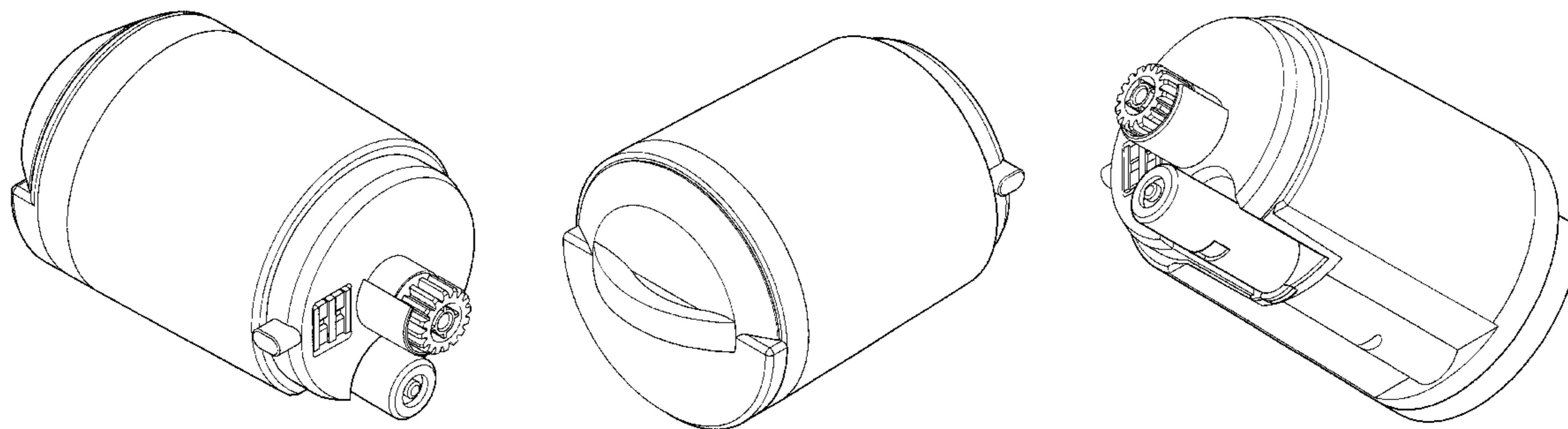
(57) **CLAIM**

The ornamental design for container for toner of printer, as shown.

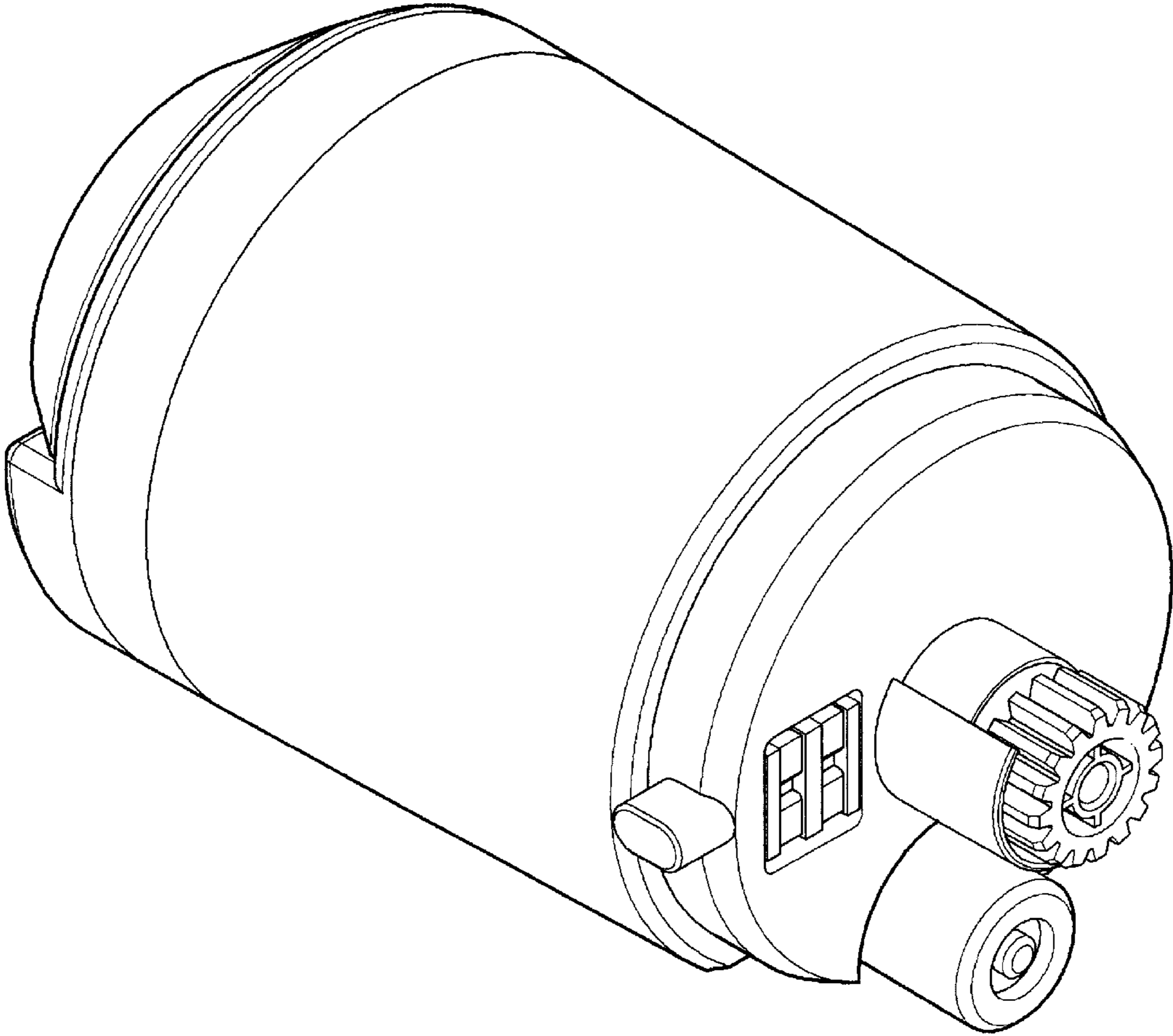
DESCRIPTION

FIG. 1 is a perspective view of the ornamental design of the present invention;
 FIG. 2 is a front elevational view thereof;
 FIG. 3 is a rear elevational view thereof;
 FIG. 4 is a left side elevational view thereof;
 FIG. 5 is a right side elevational view thereof;
 FIG. 6 is a top plan view thereof;
 FIG. 7 is a bottom view thereof;
 FIG. 8 is a rear perspective view thereof; and,
 FIG. 9 is a bottom perspective view thereof.

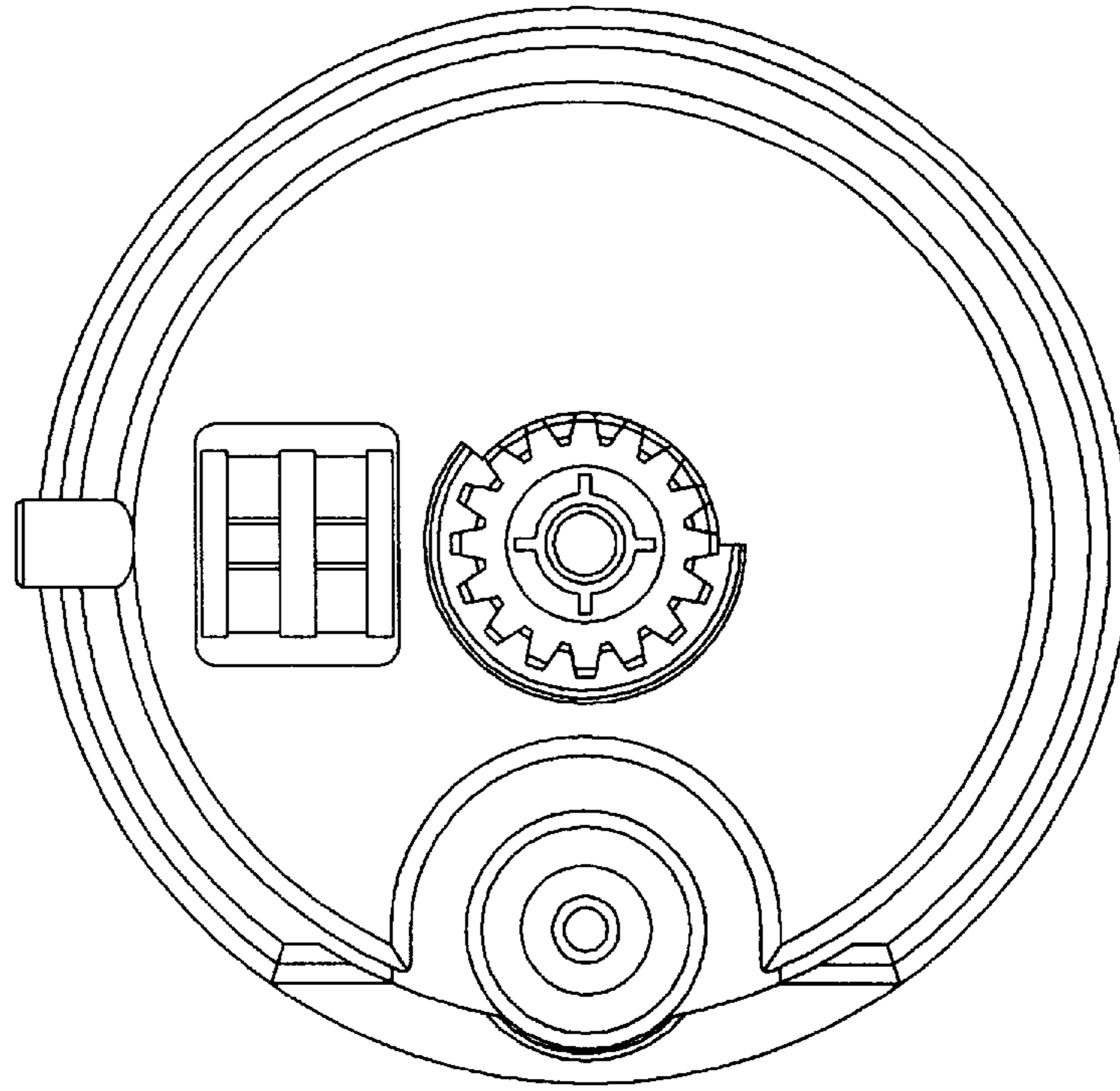
1 Claim, 7 Drawing Sheets



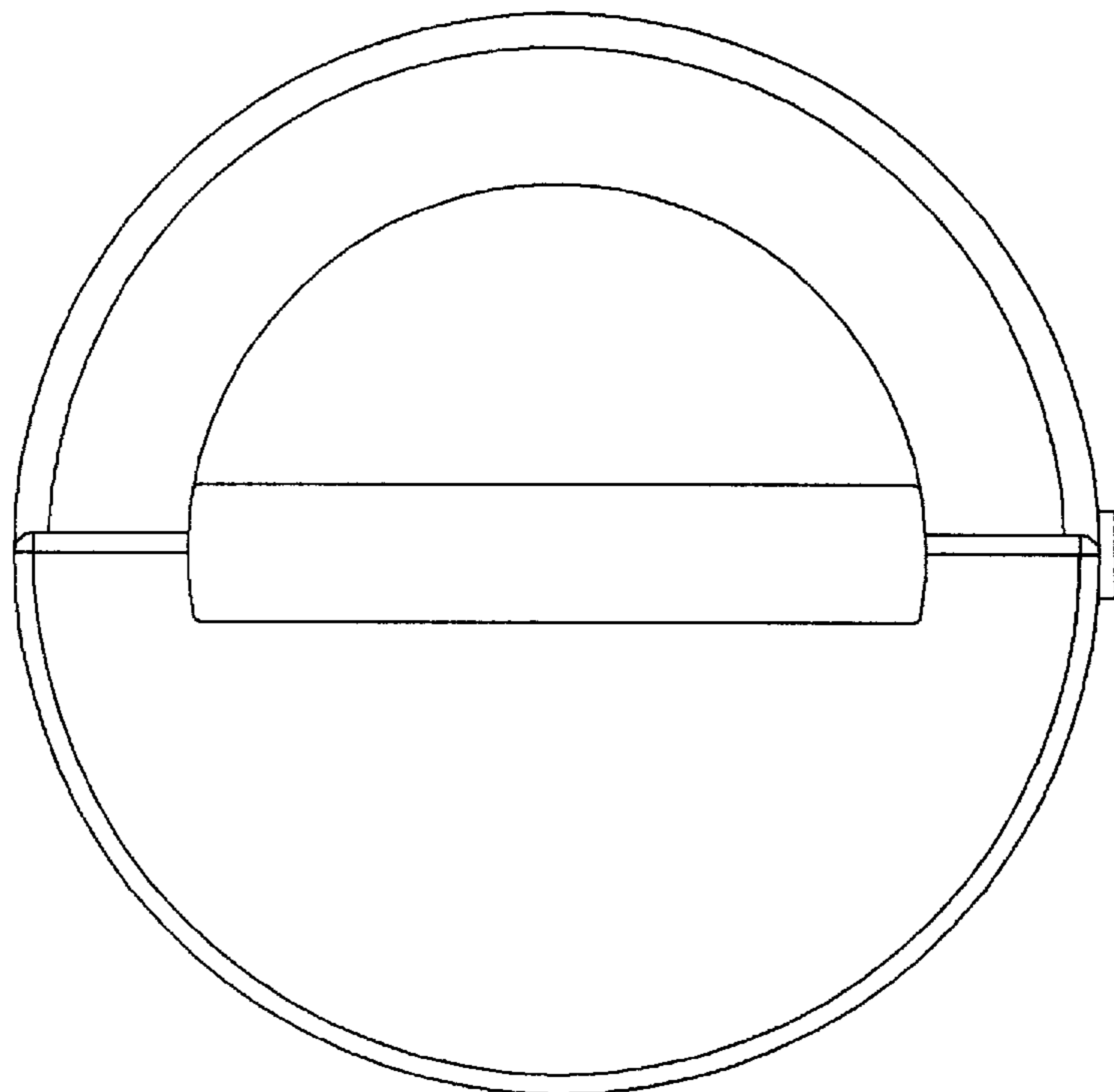
[Fig. 1]



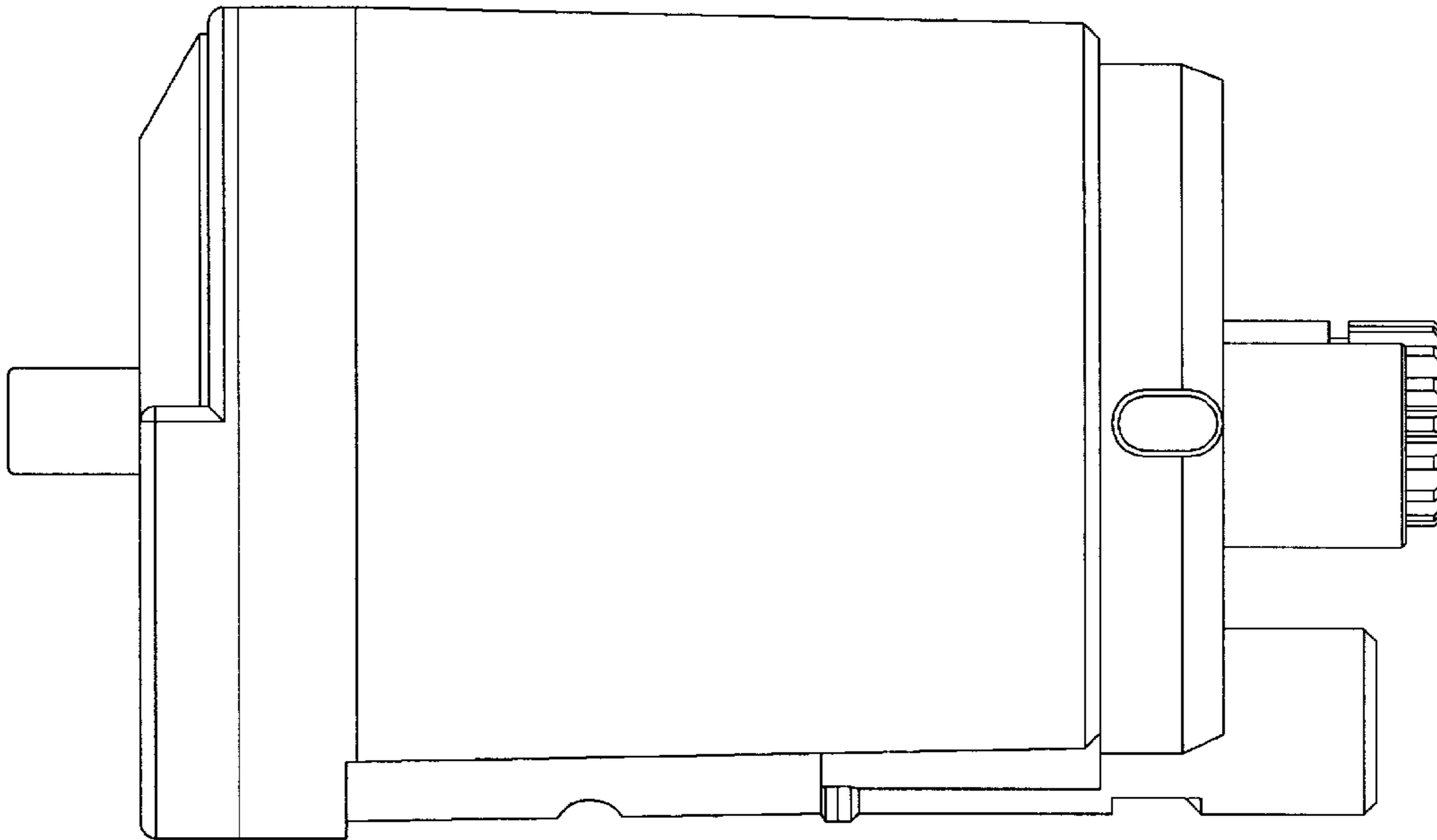
[Fig. 2]



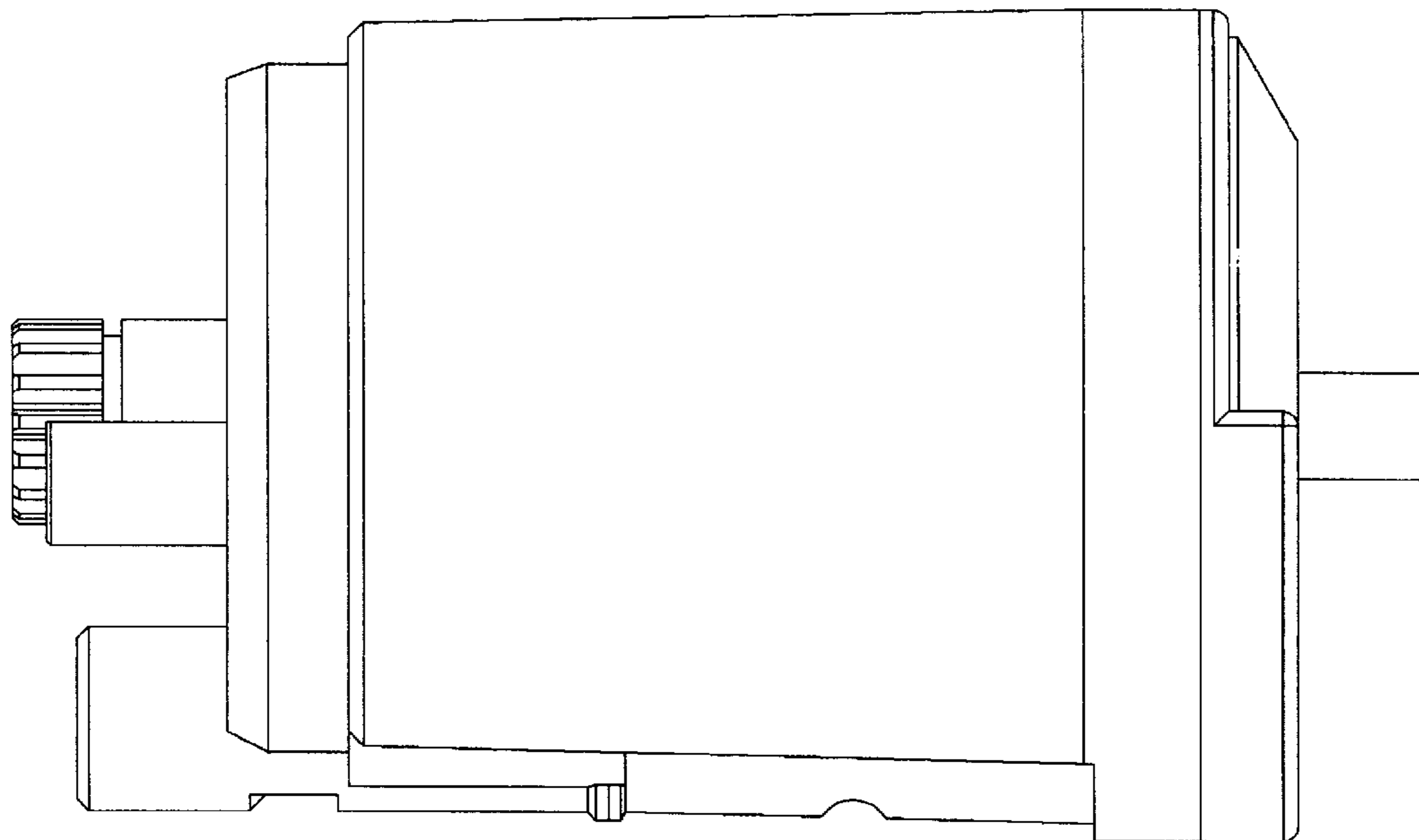
[Fig. 3]



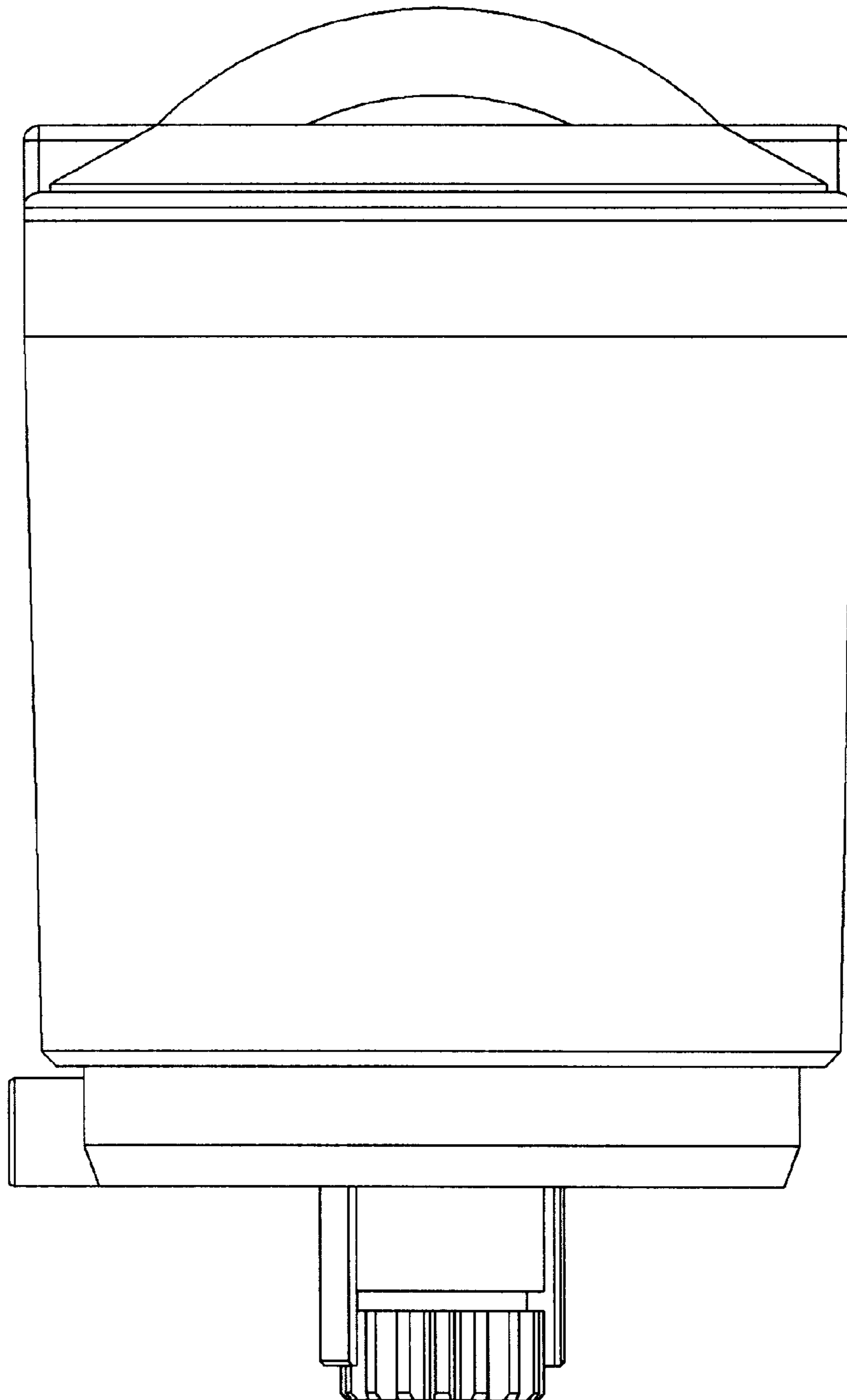
[Fig. 4]



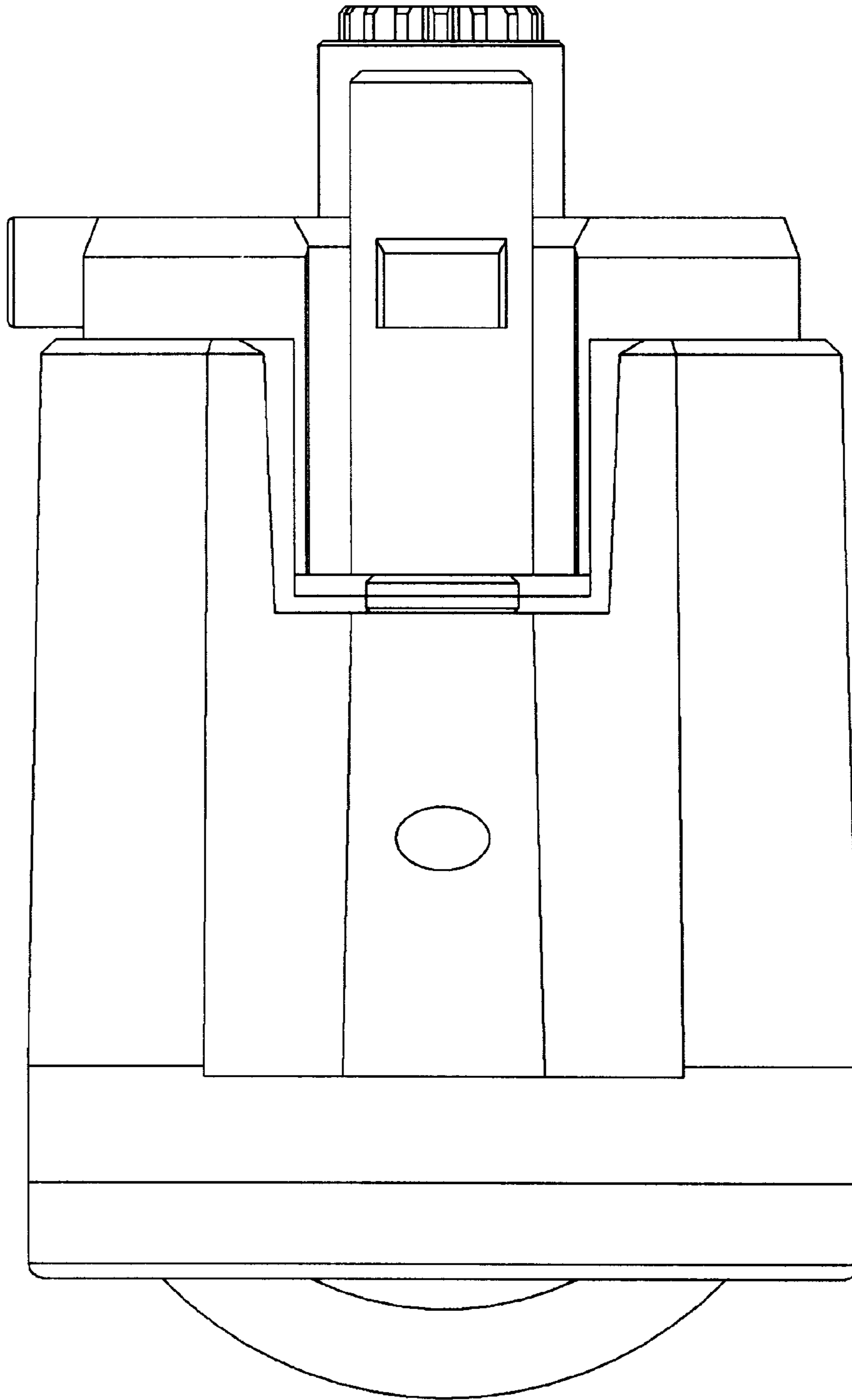
[Fig. 5]



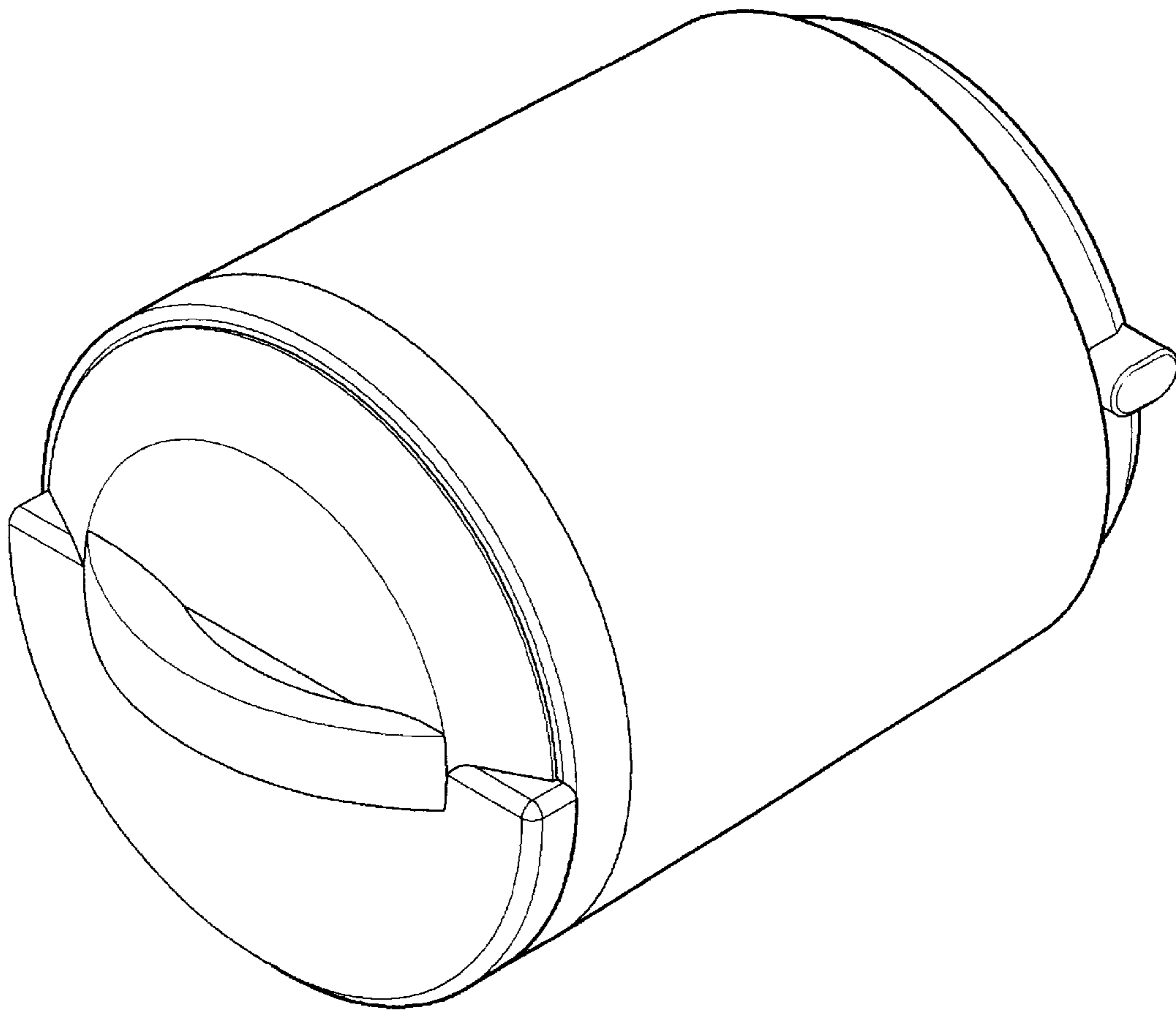
[Fig. 6]



[Fig. 7]



[Fig. 8]



[Fig. 9]

