



US00D538847S

(12) **United States Design Patent**  
**Hwang et al.**

(10) **Patent No.:** **US D538,847 S**  
(45) **Date of Patent:** **\*\* Mar. 20, 2007**

(54) **PRINTER INK RESERVOIR**  
(75) Inventors: **Peter G. Hwang**, Vancouver, WA (US);  
**Daniel W. Petersen**, Philomath, OR  
(US); **Charles R. Steinmetz**, Corvallis,  
OR (US); **Lisa M. Hanson**, Vancouver,  
WA (US); **Daniel R. Dwyer**,  
BattleGround, WA (US)

(73) Assignee: **Hewlett-Packard Development  
Company, L.P.**, Houston, TX (US)

(\*\*) Term: **14 Years**

(21) Appl. No.: **29/190,698**

(22) Filed: **Sep. 24, 2003**

(51) **LOC (8) Cl.** ..... **18-02**

(52) **U.S. Cl.** ..... **D18/56; 347/86**

(58) **Field of Classification Search** ..... D18/40,  
D18/43, 56; 347/86, 87

See application file for complete search history.

(56) **References Cited**

**U.S. PATENT DOCUMENTS**

D367,884 S \* 3/1996 Taneya et al. .... D18/56

D436,618 S \* 1/2001 Kotaki et al. .... D18/56  
D440,599 S \* 4/2001 Kotaki et al. .... D18/56  
D441,013 S \* 4/2001 Kotaki et al. .... D18/56  
2001/0009432 A1 \* 7/2001 Olsen et al. .... 347/86  
2003/0025763 A1 \* 2/2003 Sturgeon et al. .... 347/49  
2005/0007426 A1 \* 1/2005 Silverbrook et al. .... 347/85  
2005/0073560 A1 \* 4/2005 Gray et al. .... 347/86

\* cited by examiner

*Primary Examiner*—Cathy Anne MacCormac

(57) **CLAIM**

The ornamental design for a printer ink reservoir, as shown and described.

**DESCRIPTION**

FIG. 1 is a left-front perspective view of a printer ink reservoir showing the new design;

FIG. 2 is a top view thereof;

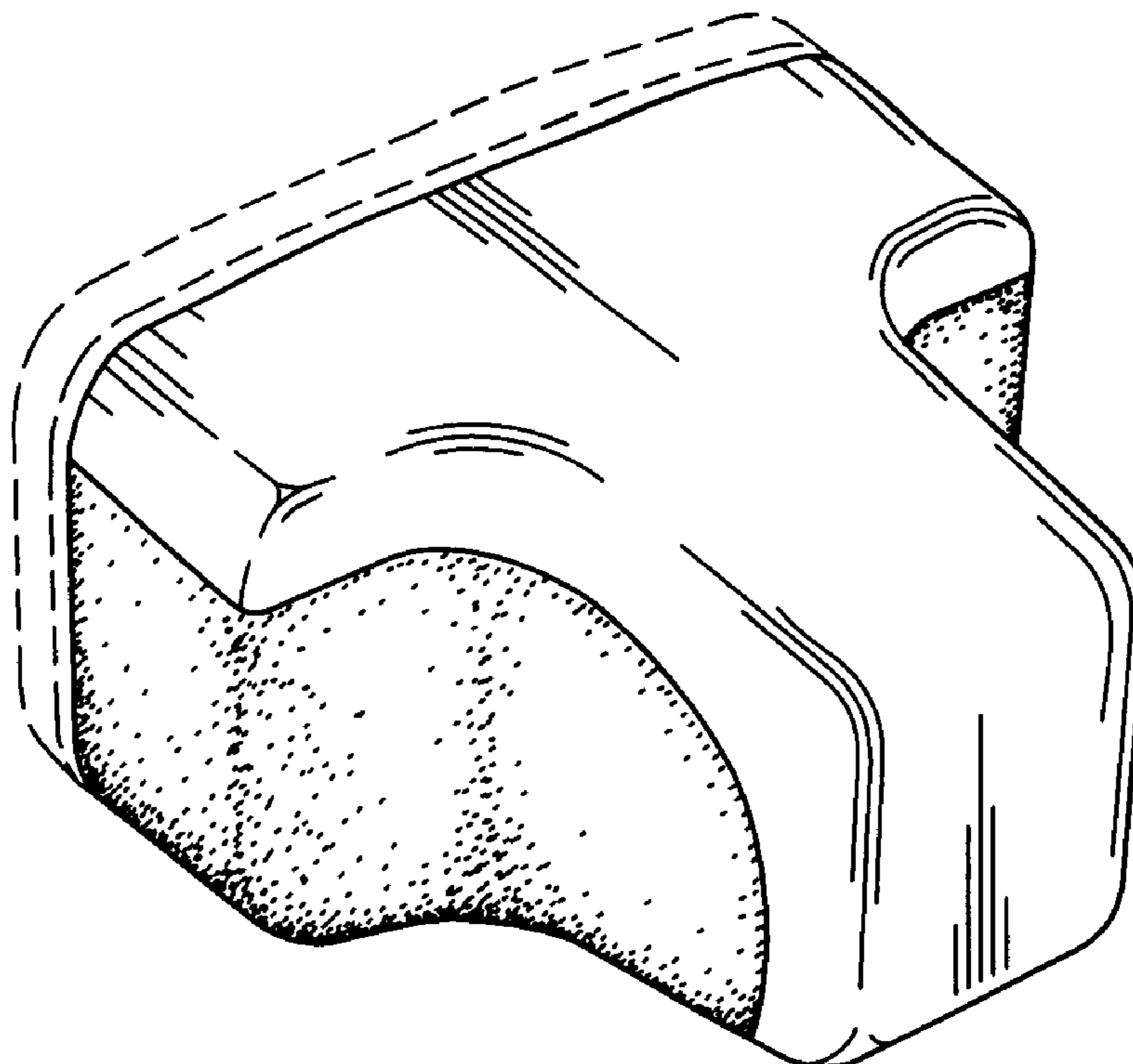
FIG. 3 is a left side view thereof (a right side view is not shown but is a mirror image of the left side view);

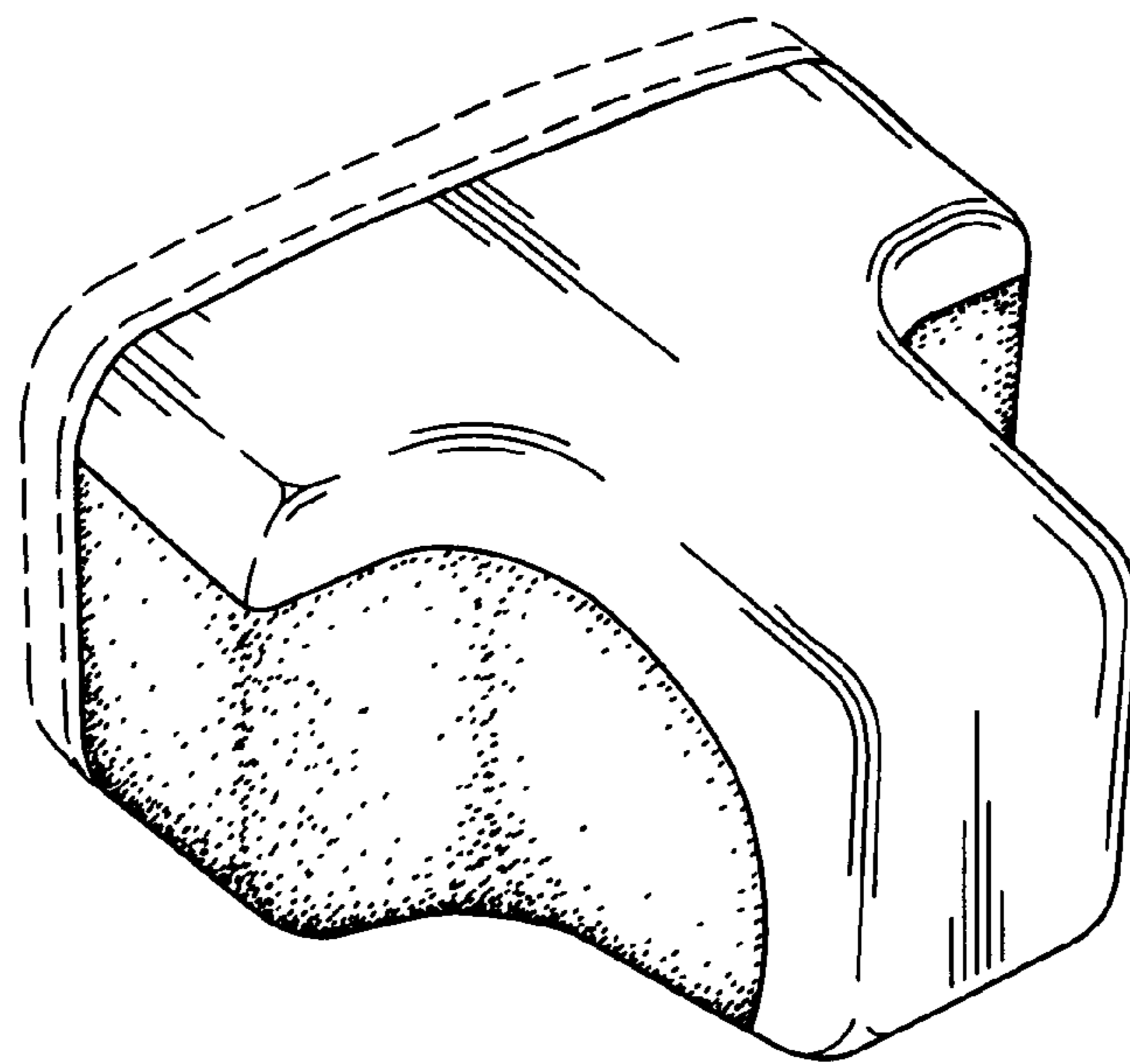
FIG. 4 is a front view thereof; and,

FIG. 5 is a bottom view thereof.

The broken lines in FIGS. 1–5 are for illustrative purposes only and form no part of the claimed design.

**1 Claim, 2 Drawing Sheets**





**FIG. 1**

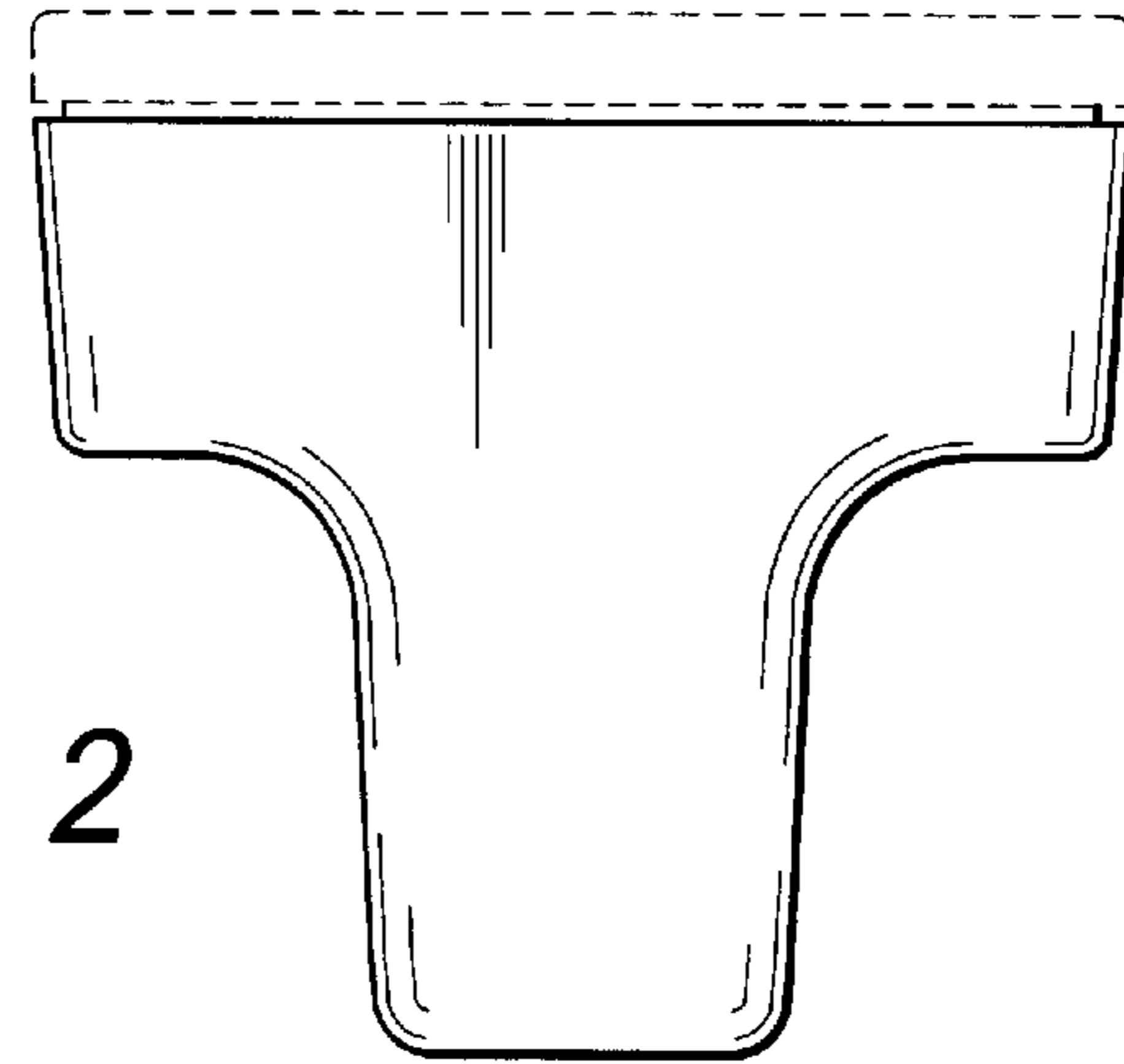


FIG. 2

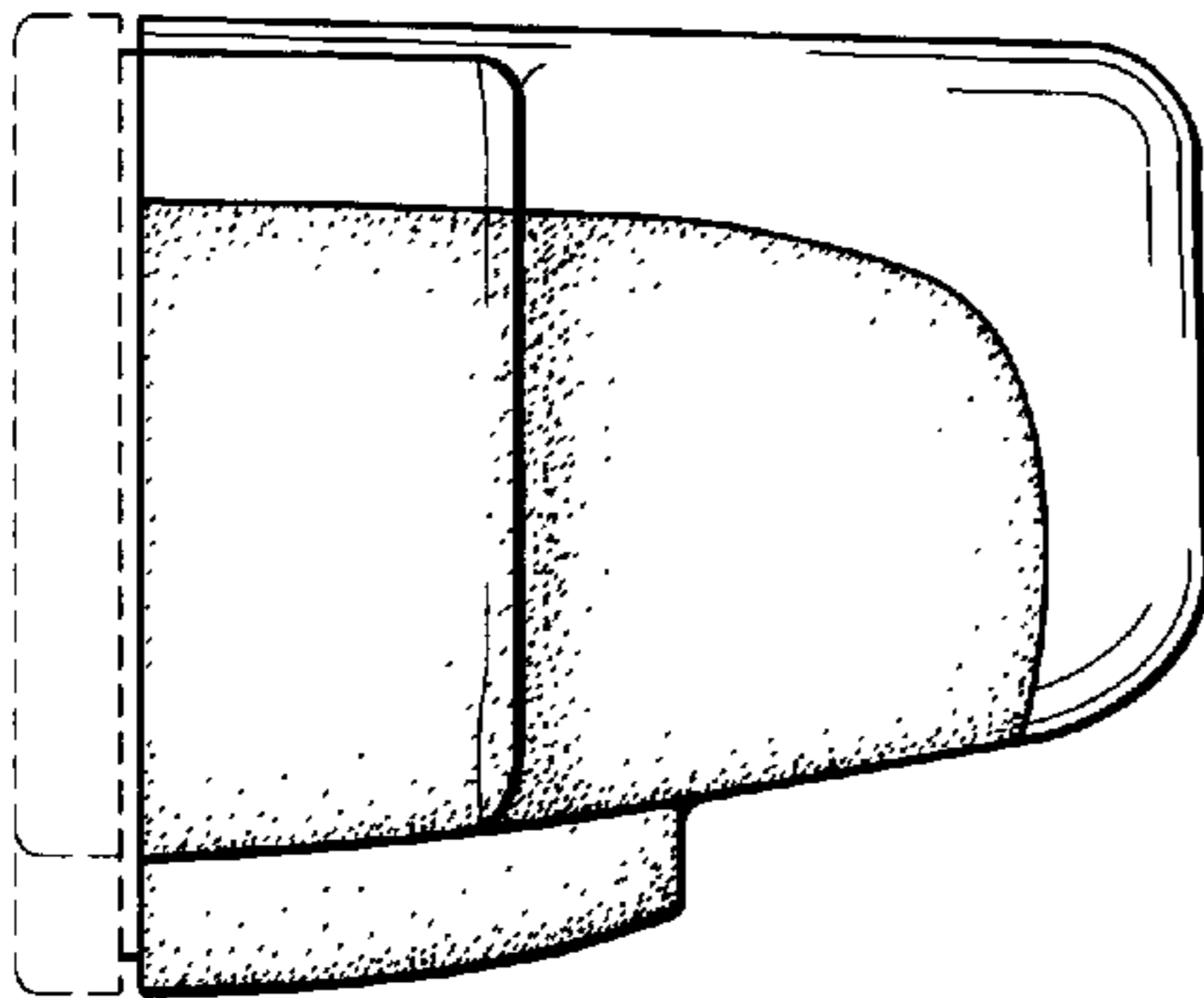


FIG. 3

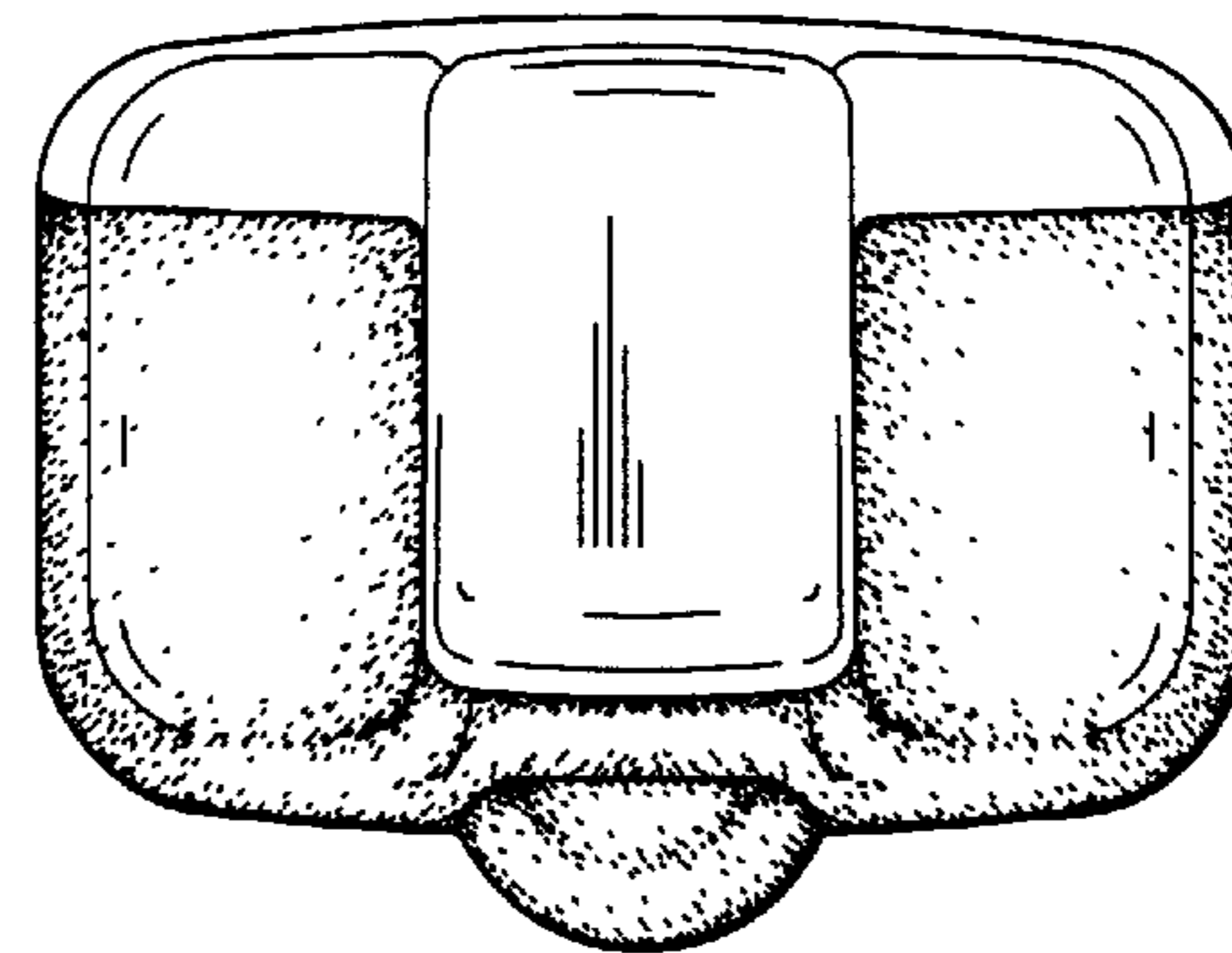


FIG. 4

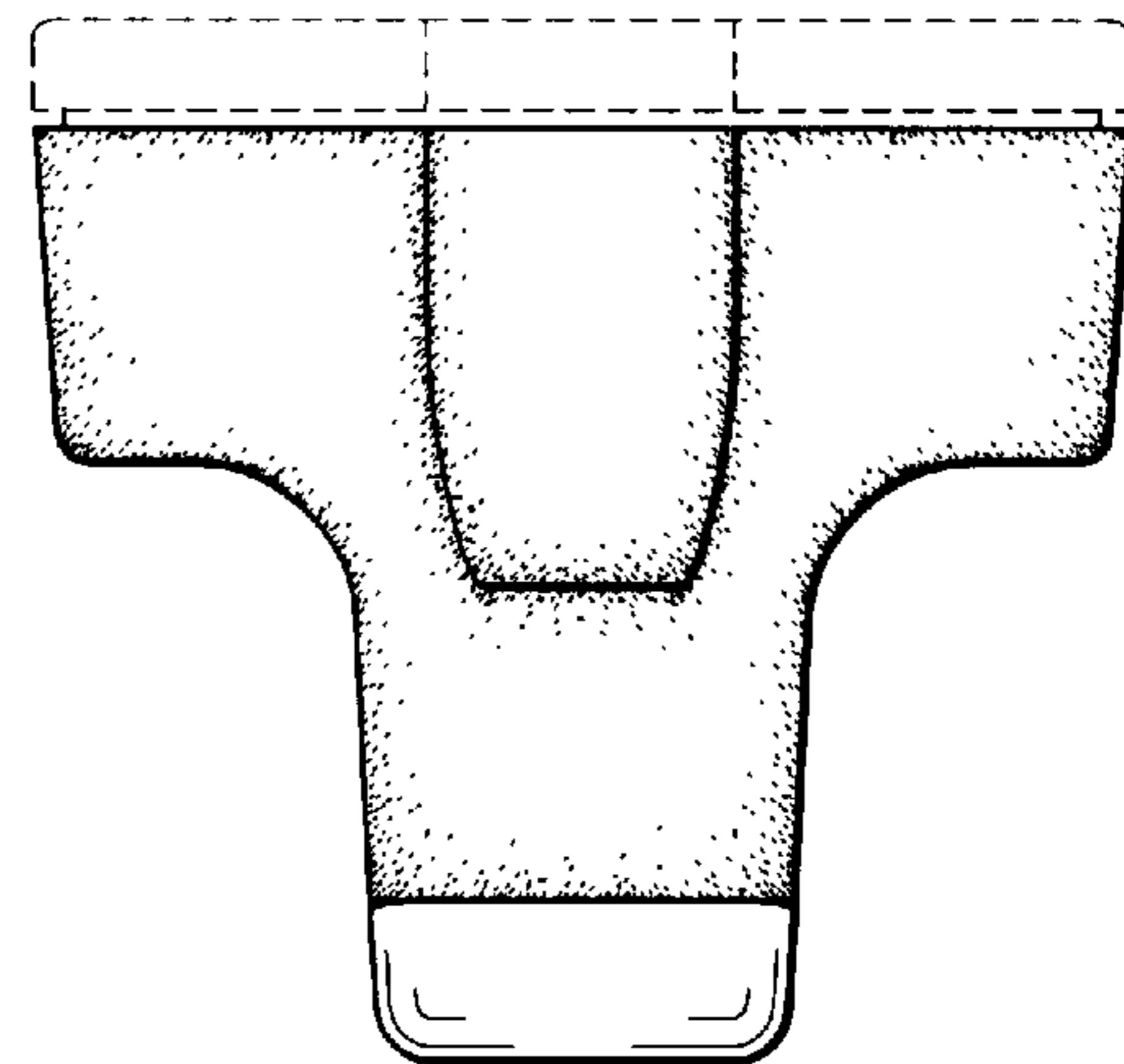


FIG. 5