



US00D538846S

(12) **United States Design Patent**
Reibl

(10) **Patent No.:** **US D538,846 S**

(45) **Date of Patent:** **** Mar. 20, 2007**

(54) **TWIN STACKER DELIVERY**

(75) Inventor: **Bernd Reibl**, Schöborn (DE)

(73) Assignee: **Heidelberger Druckmaschinen AG**,
Heidelberg (DE)

(**) Term: **14 Years**

(21) Appl. No.: **29/212,425**

(22) Filed: **Sep. 1, 2004**

(30) **Foreign Application Priority Data**

Mar. 1, 2004 (EM) 149059

(51) **LOC (8) Cl.** **18-99**

(52) **U.S. Cl.** **D18/47**

(58) **Field of Classification Search** D18/36-39,
D18/45-55; 222/DIG. 1; 355/97, 99; 358/1.1;
399/1-7, 16, 75, 81, 130, 151, 310, 361,
399/365

See application file for complete search history.

(56) **References Cited**

U.S. PATENT DOCUMENTS

3,679,300 A * 7/1972 Artelt, Jr. 399/384
D238,004 S * 12/1975 Holmquist D18/48
D260,999 S * 9/1981 Schwartz D18/39

D324,538 S * 3/1992 Maehara et al. D18/53
D334,401 S * 3/1993 Mitchell D18/48
D351,188 S * 10/1994 Hiraishi et al. D18/53
D352,054 S * 11/1994 Yomo et al. D18/36
D357,499 S * 4/1995 Karafuji et al. D18/53
D357,934 S * 5/1995 Karafuji et al. D18/53

* cited by examiner

Primary Examiner—Robert M. Spear

Assistant Examiner—Garth Rademaker

(74) *Attorney, Agent, or Firm*—Laurence A. Greenberg;
Werner H. Stemer; Ralph E. Locher

(57) **CLAIM**

The ornamental design for a twin stacker delivery, as shown and described.

DESCRIPTION

FIG. 1 is a front elevational view of a twin stacker delivery according to my new design;

FIG. 2 is a rear elevational view thereof;

FIG. 3 is a top plan view thereof;

FIG. 4 is a left side elevational view thereof;

FIG. 5 is a right side elevational view thereof;

FIG. 6 is a right, front perspective view thereof; and,

FIG. 7 is a left, front perspective view thereof.

1 Claim, 7 Drawing Sheets

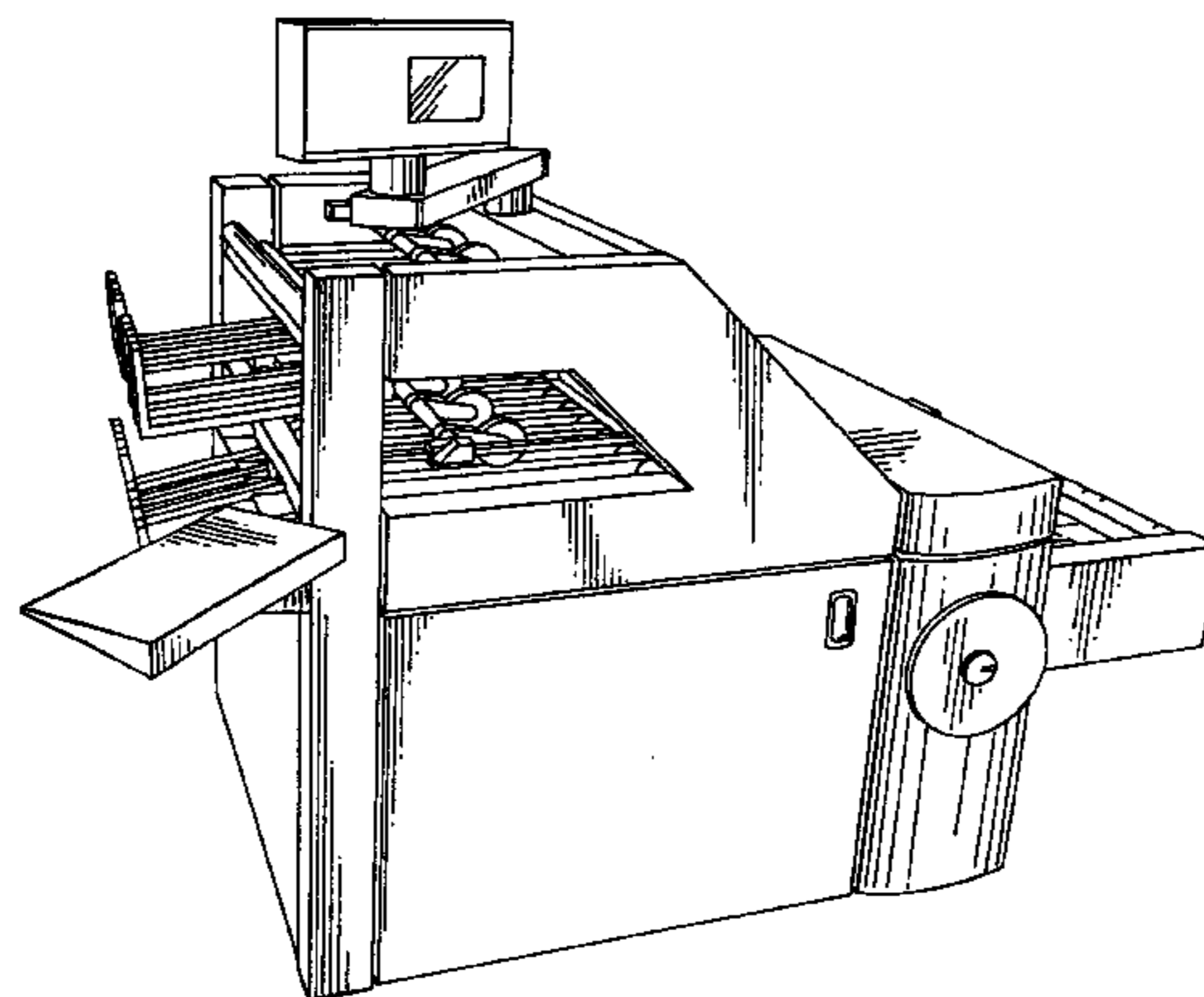
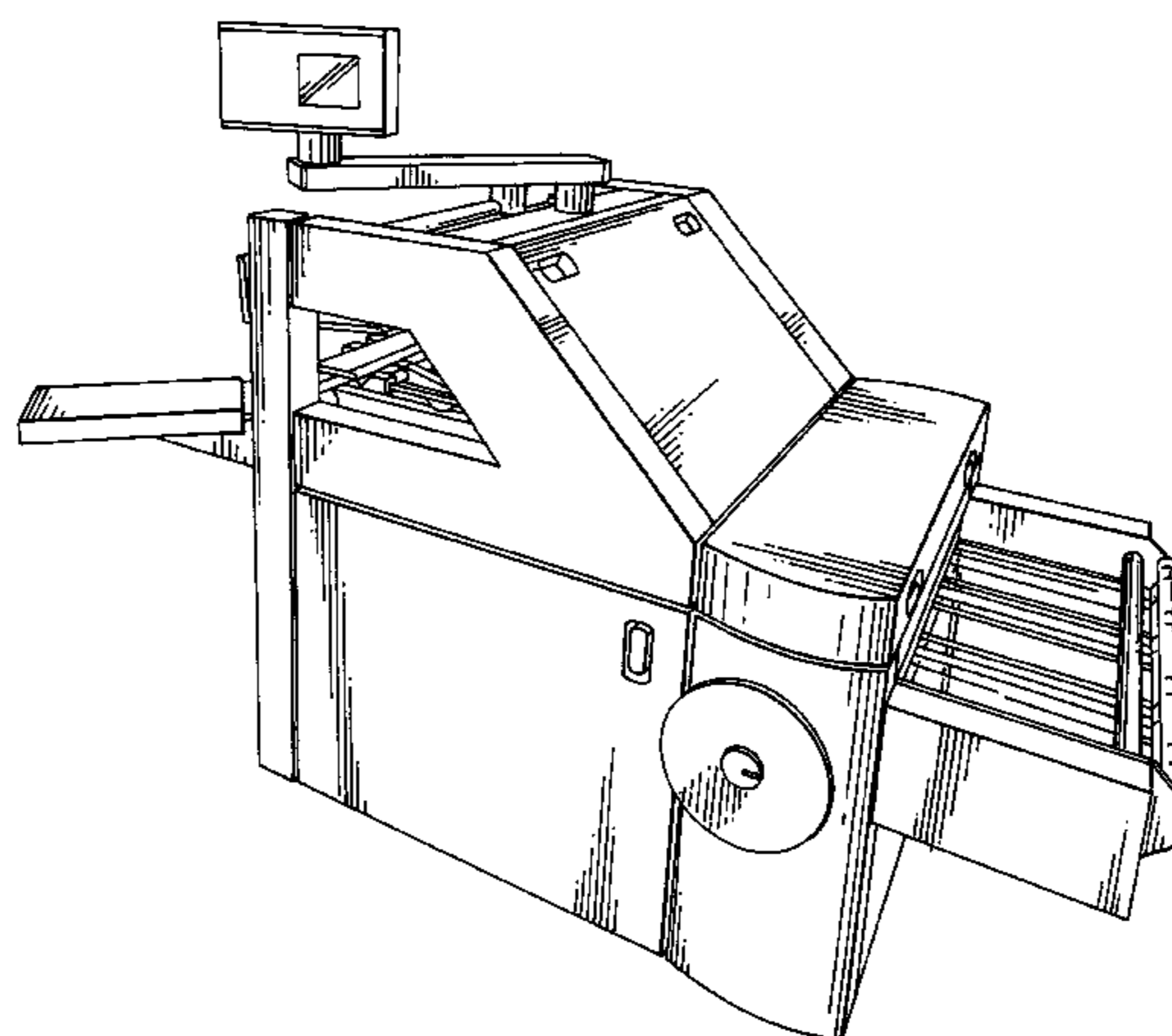
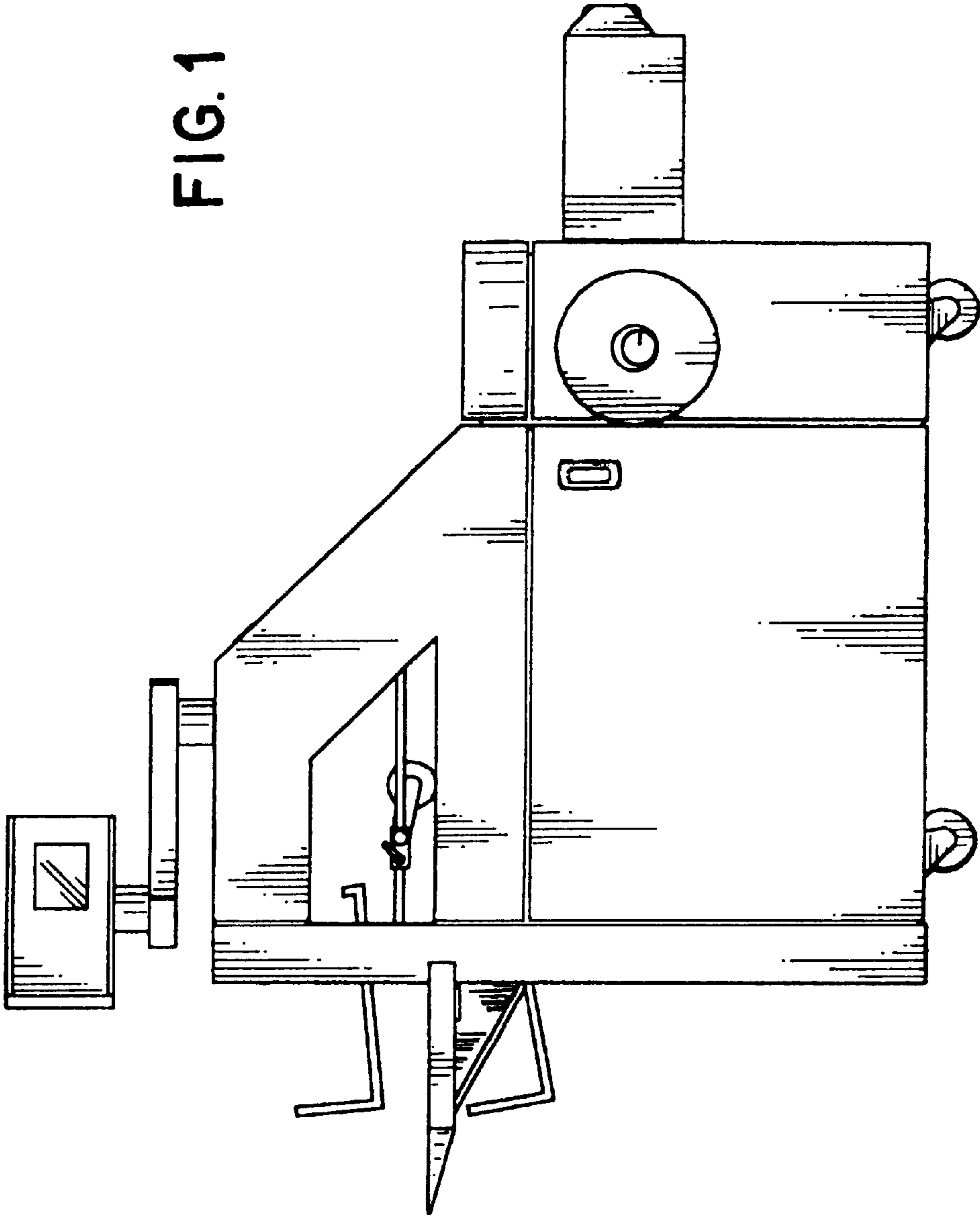


FIG. 1



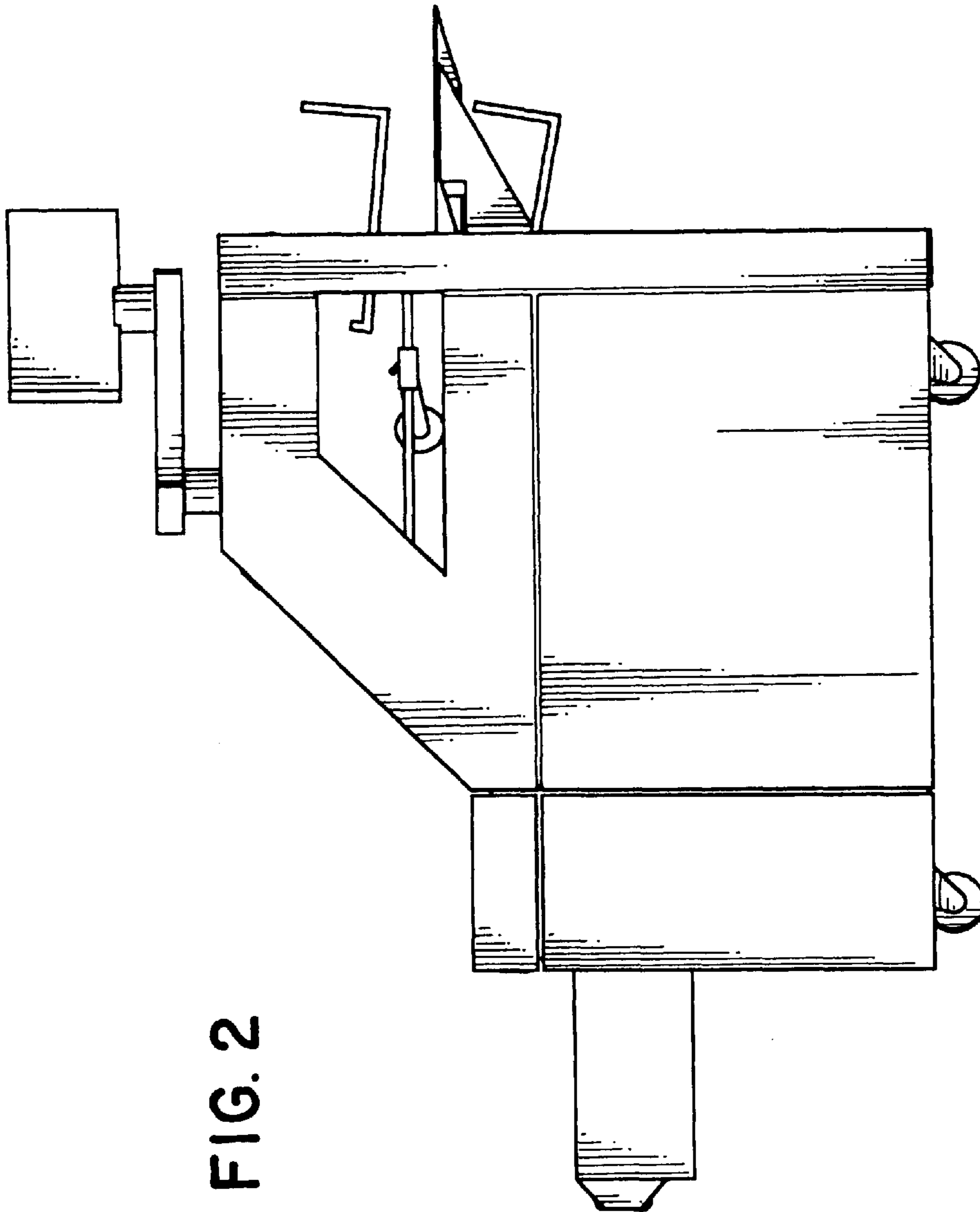
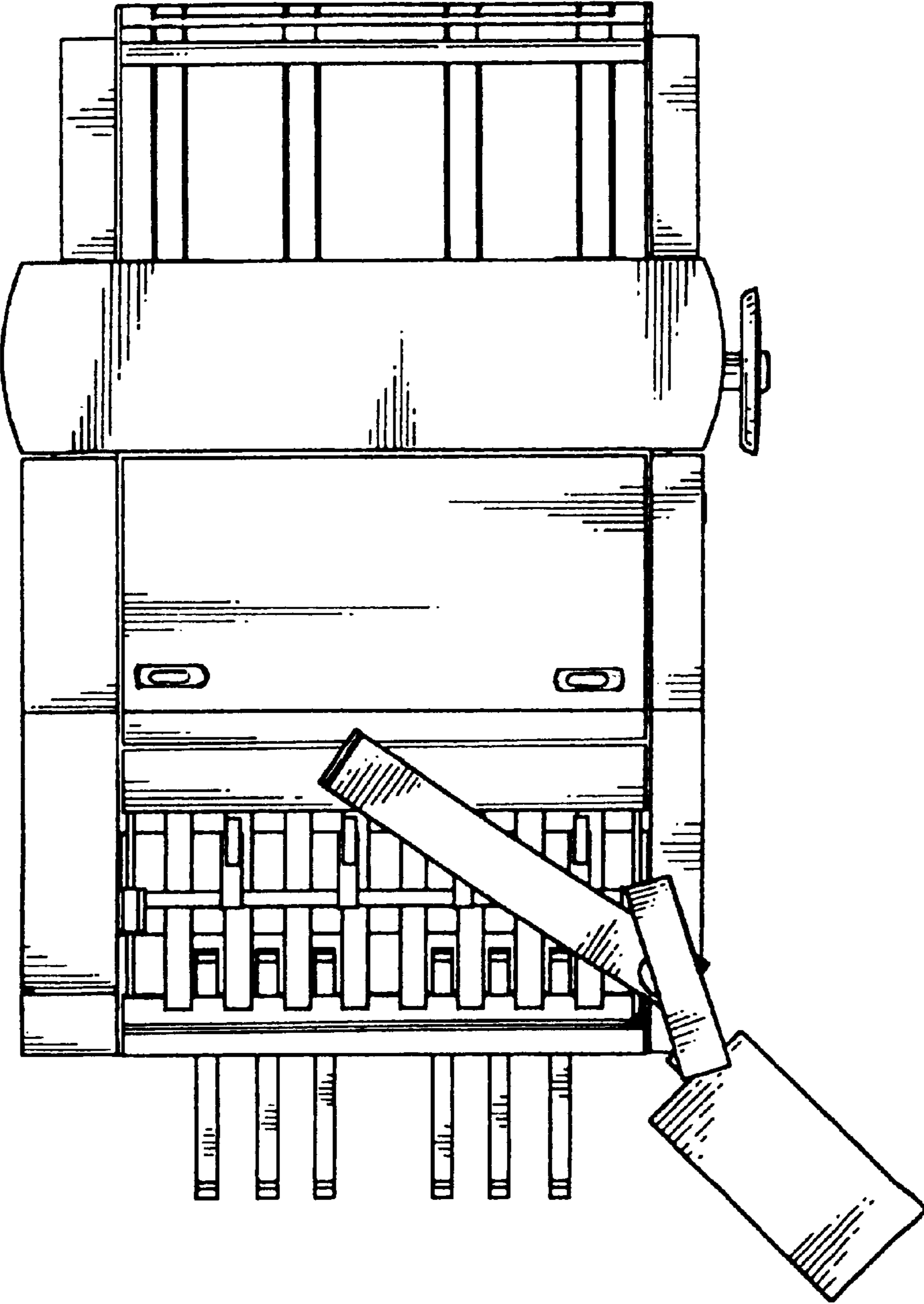


FIG. 3



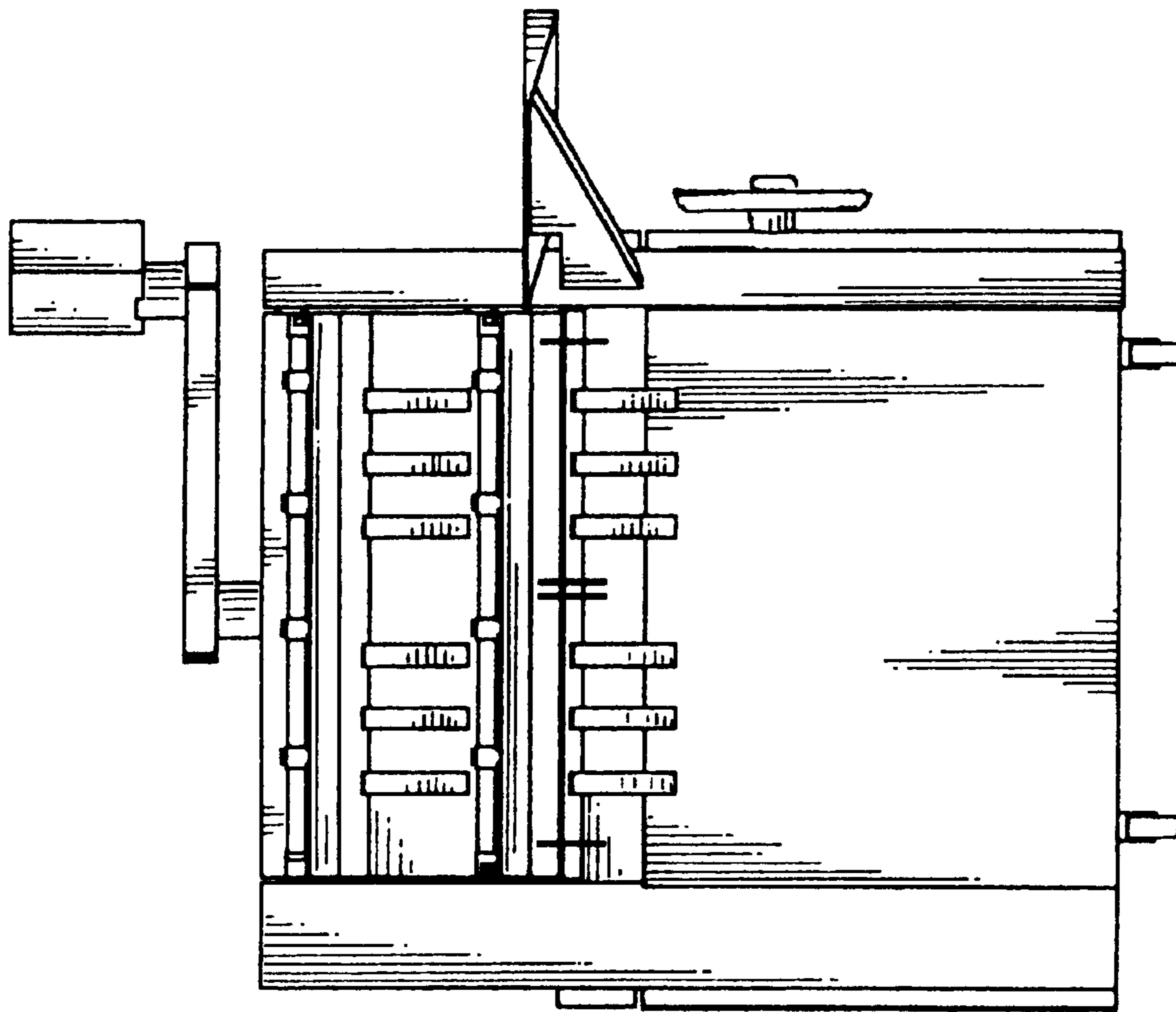


FIG. 4

FIG. 5

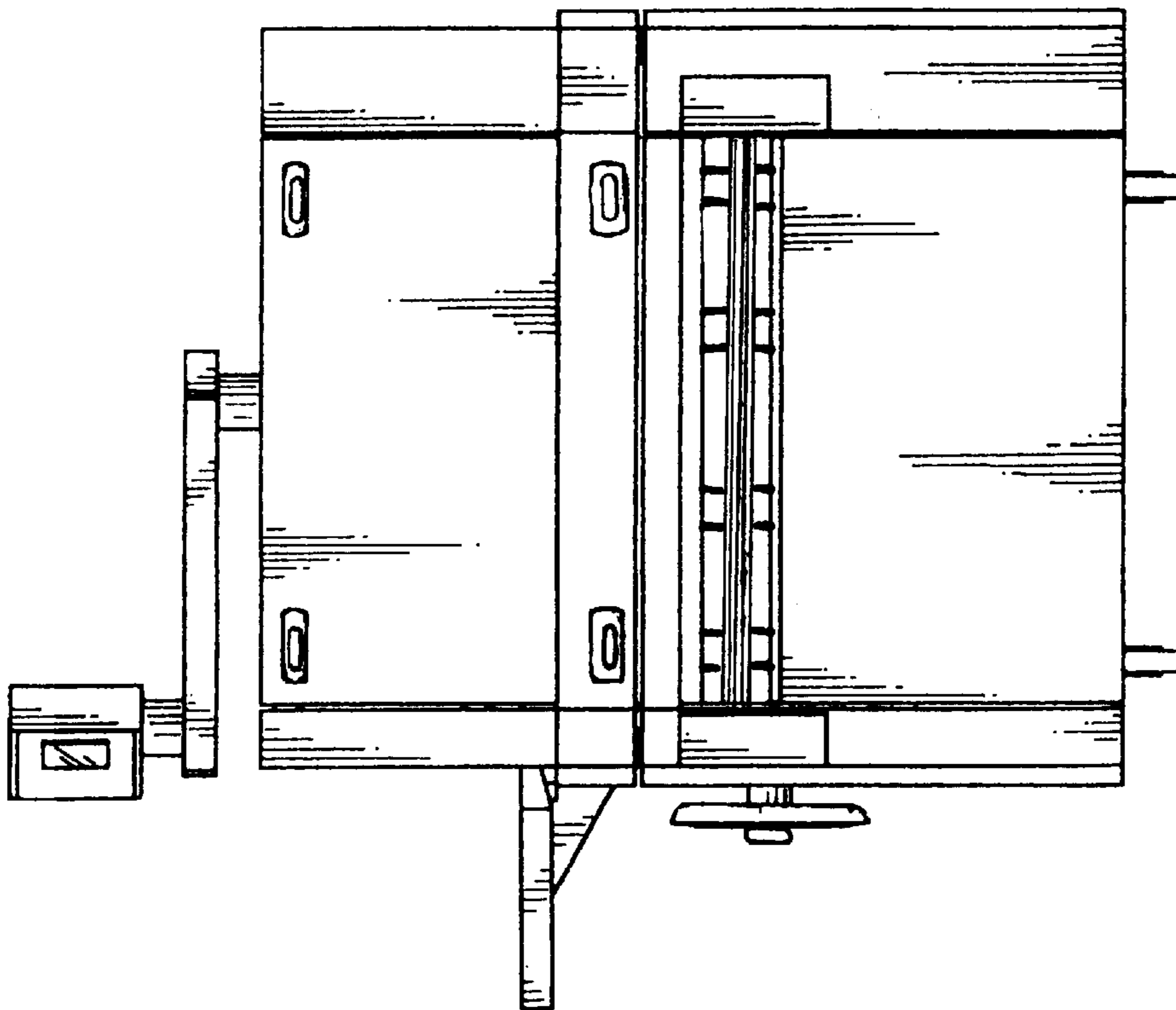


FIG. 6

