



US00D538845S

(12) **United States Design Patent**
Christian et al.

(10) **Patent No.:** **US D538,845 S**

(45) **Date of Patent:** **** Mar. 20, 2007**

(54) **PNEUMATIC TUBE SYSTEM TRANSACTION
TERMINAL RECEIVER**

(75) Inventors: **Todd Christian**, Dalton, OH (US); **Neil Gromley**, Kensington, OH (US); **Gary Baker**, Bolivar, OH (US); **Daniel McIntyre**, Uniontown, OH (US); **Donald S. Nelson, Jr.**, Akron, OH (US)

(73) Assignee: **Diebold, Incorporated**, North Canton, OH (US)

(**) Term: **14 Years**

(21) Appl. No.: **29/220,961**

(22) Filed: **Jan. 7, 2005**

(51) **LOC (8) Cl.** **18-99**

(52) **U.S. Cl.** **D18/35**

(58) **Field of Classification Search** D18/35,
D18/99; 406/111, 112, 1, 34, 37, 184-190;
D99/28, 35; 138/DIG. 8

See application file for complete search history.

(56) **References Cited**

U.S. PATENT DOCUMENTS

- 723,457 A * 3/1903 Gipe 406/190
- 842,419 A * 1/1907 Palmer 406/188
- 1,651,333 A * 11/1927 Merrill 406/186

- 3,072,362 A * 1/1963 Allen 406/188
- D227,346 S * 6/1973 Fischer D18/35
- D251,995 S * 5/1979 Bell D99/28
- D263,086 S * 2/1982 Best et al. D99/28
- D338,317 S * 8/1993 Woodward D99/28
- D354,508 S * 1/1995 Vogel D18/35
- 5,980,164 A * 11/1999 Fratello 406/190

FOREIGN PATENT DOCUMENTS

GB 3014214 * 10/2004

* cited by examiner

Primary Examiner—Charles A. Rademaker

(74) *Attorney, Agent, or Firm*—Ralph E. Jocke; Walker & Jocke

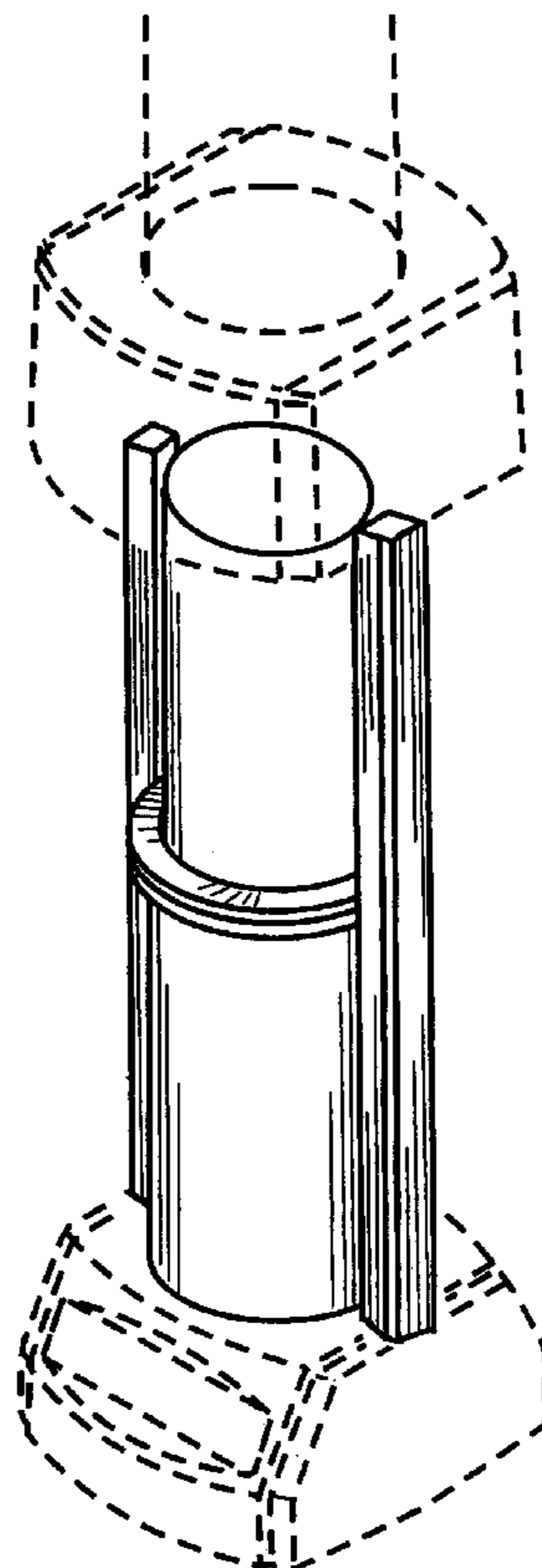
(57) **CLAIM**

The ornamental design for a pneumatic tube system transaction terminal receiver, as shown and described.

DESCRIPTION

FIG. 1 is a top perspective view of a pneumatic tube system transaction terminal receiver showing our new design; FIG. 2 is a right side elevation thereof, the side opposite being identical; and, FIG. 3 is a front elevation thereof, the rear being identical. The broken lines in the drawings that define the bounds of the claimed design form no part thereof.

1 Claim, 2 Drawing Sheets



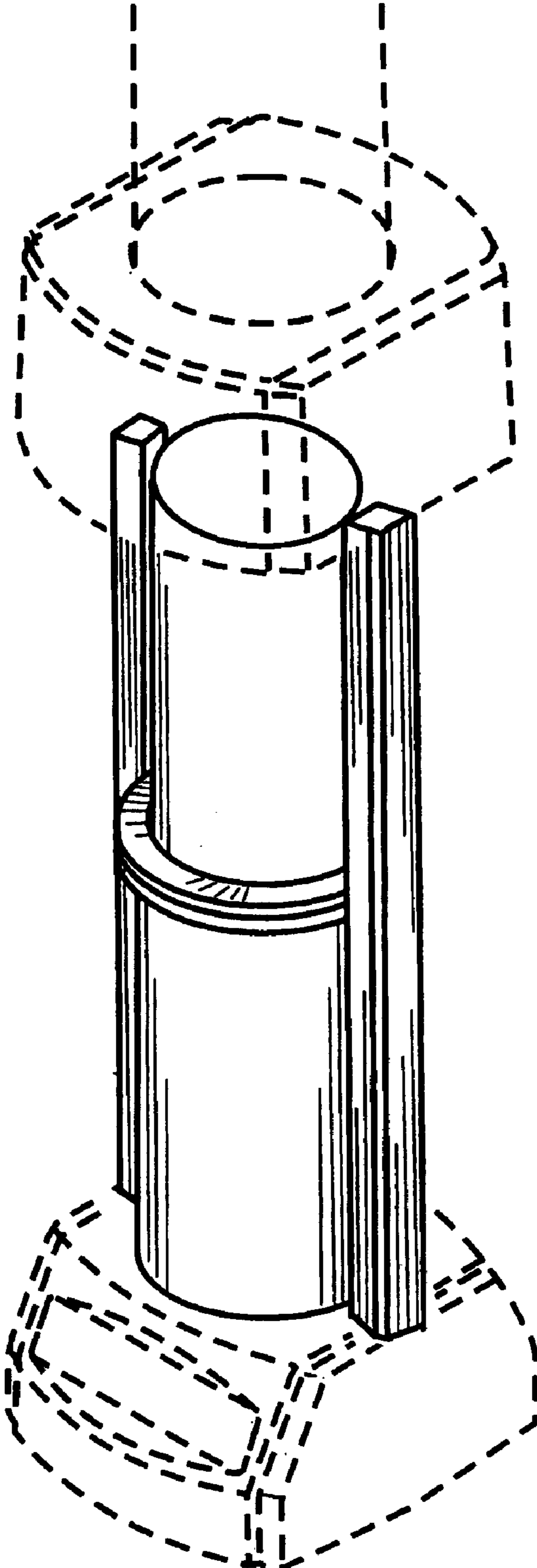


Fig. 1

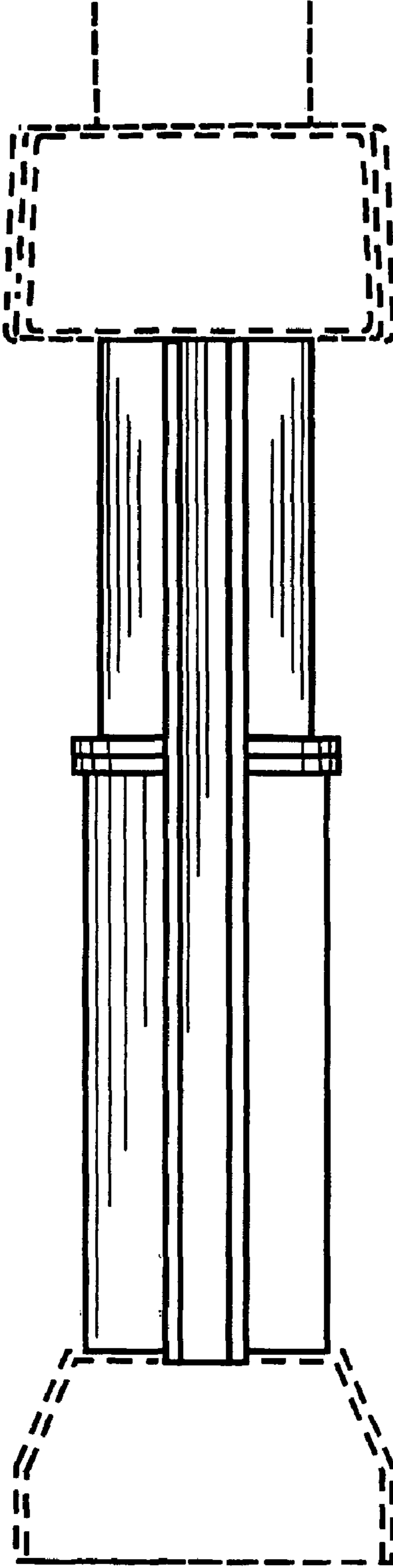


Fig. 2

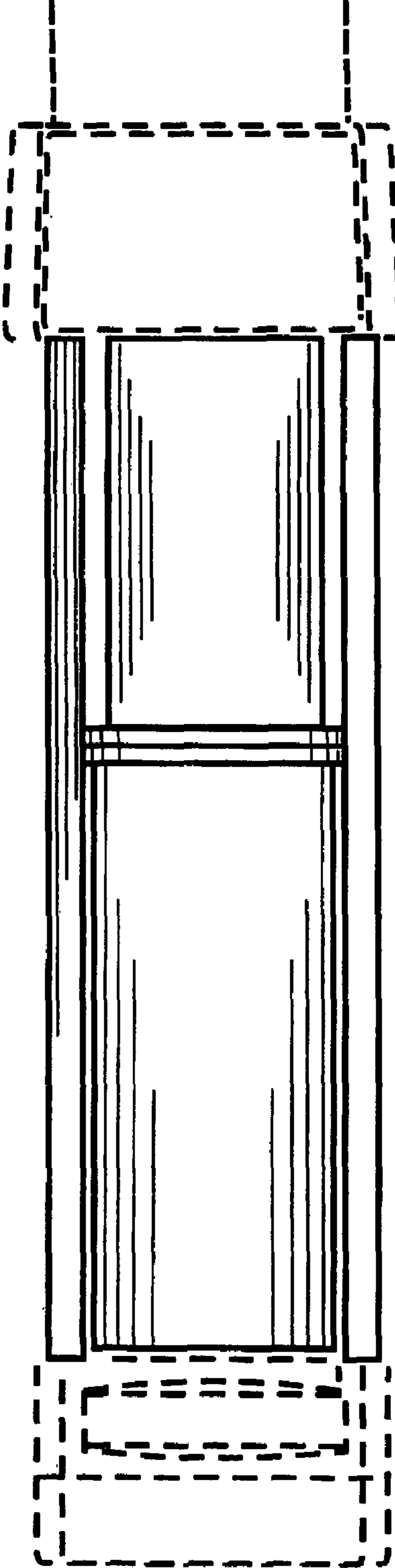


Fig. 3