

US00D538840S

(12) **United States Design Patent**  
**Shih**

(10) **Patent No.:** **US D538,840 S**

(45) **Date of Patent:** **\*\* Mar. 20, 2007**

(54) **SELF INKING STAMP**

(76) Inventor: **Shiny Shih**, No. 31, Lane 349,  
Chungcheng S. Rd., Yungkang City,  
Tainan Hsien (TW)

(\*\*) Term: **14 Years**

(21) Appl. No.: **29/233,395**

(22) Filed: **Jul. 5, 2005**

(51) **LOC (8) Cl.** ..... **19-02**

(52) **U.S. Cl.** ..... **D18/15**

(58) **Field of Classification Search** ..... D18/15-18,  
D18/50; 101/333-334, 327, 405, 406, 328,  
101/352.07; 118/264, 268

See application file for complete search history.

(56) **References Cited**

**U.S. PATENT DOCUMENTS**

5,855,170	A	*	1/1999	Shih	.....	101/327
6,058,840	A	*	5/2000	Poplawski et al.	.....	101/405
6,189,450	B1	*	2/2001	Shih	.....	101/327
D451,945	S	*	12/2001	MacNeil et al.	.....	D18/15
D492,957	S	*	7/2004	Wei	.....	D18/15
D495,732	S	*	9/2004	Treml	.....	D18/15
6,796,230	B2	*	9/2004	Pichler et al.	.....	101/334
6,945,172	B1	*	9/2005	Shih	.....	101/333

D513,037	S	*	12/2005	Faber	.....	D18/15
D516,117	S	*	2/2006	Shih	.....	D18/15
D518,087	S	*	3/2006	Shih	.....	D18/15
D523,892	S	*	6/2006	Faber	.....	D18/15
7,066,089	B1	*	6/2006	Shih	.....	101/334

\* cited by examiner

*Primary Examiner*—Charles A. Rademaker

(74) *Attorney, Agent, or Firm*—Posz Law Group, PLC; R. Eugene Varndell, Jr.

(57) **CLAIM**

The ornamental design for a self inking stamp, as shown and described.

**DESCRIPTION**

FIG. 1 is a perspective view of a self inking stamp, showing my new design;

FIG. 2 is a front view thereof;

FIG. 3 is a rear view thereof;

FIG. 4 is a left view thereof;

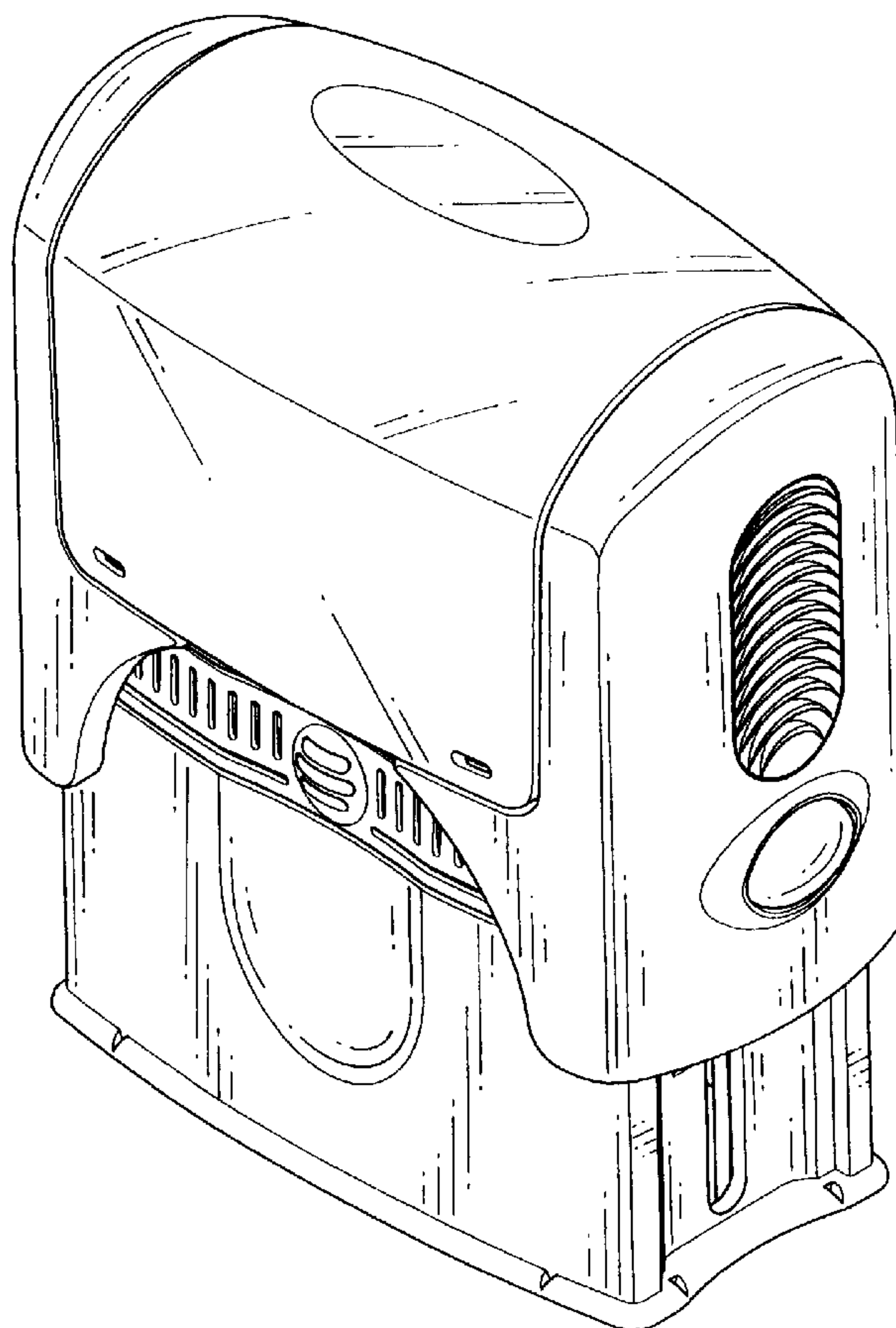
FIG. 5 is a right view thereof;

FIG. 6 is a top view thereof;

FIG. 7 is a bottom view thereof; and,

FIG. 8 is a rear perspective view thereof showing the design in an exploded condition.

**1 Claim, 5 Drawing Sheets**



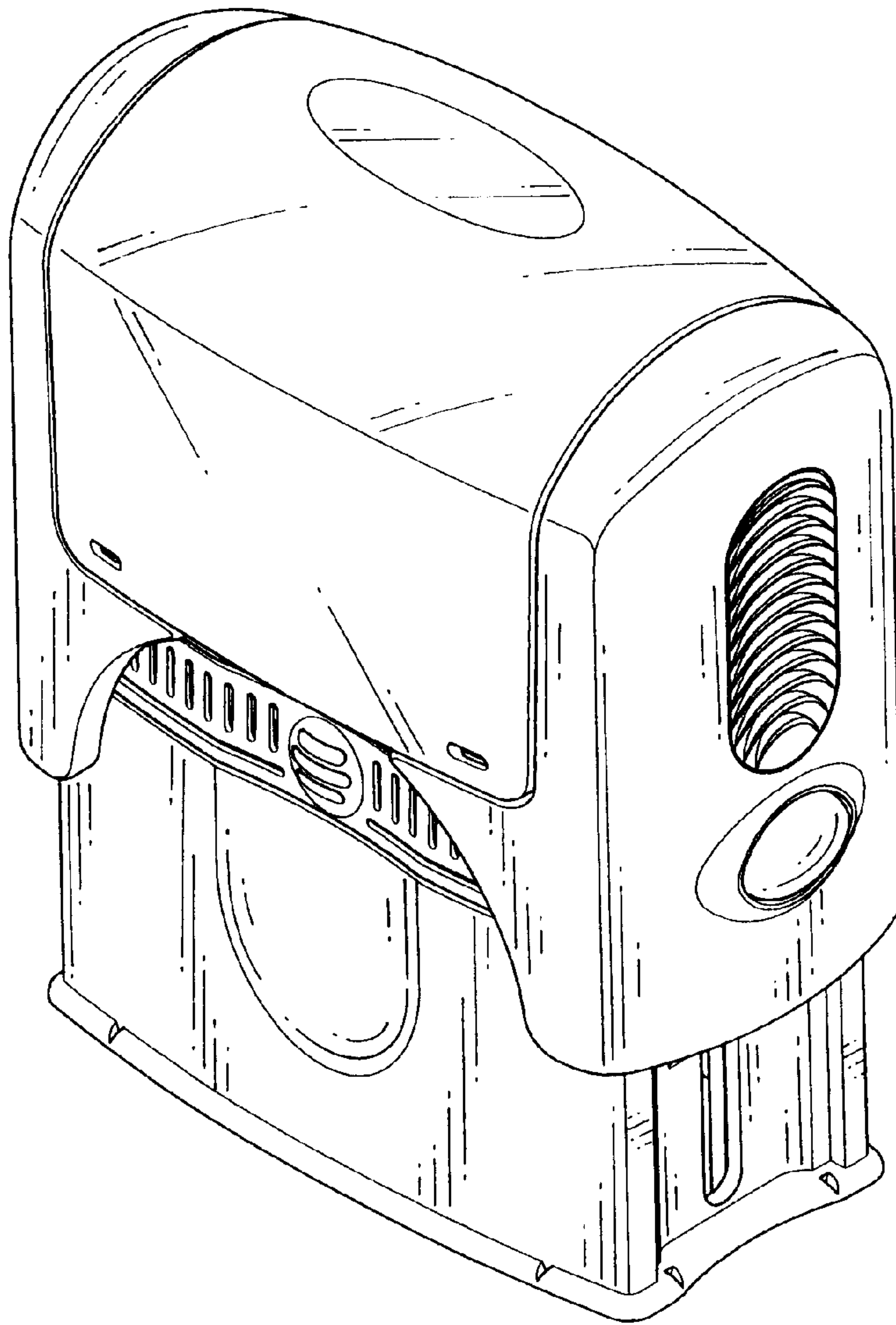


FIG. 1

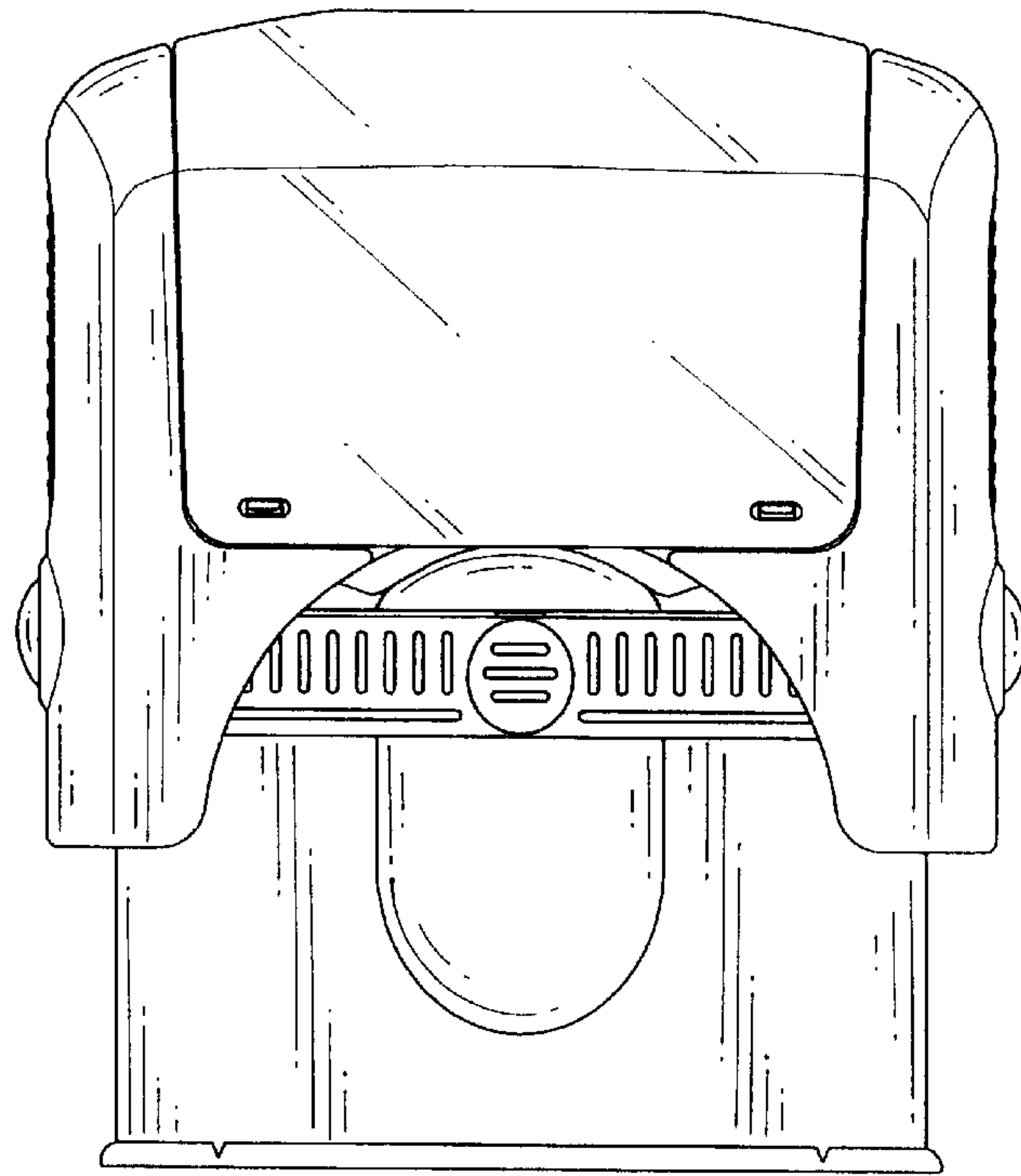


FIG. 2

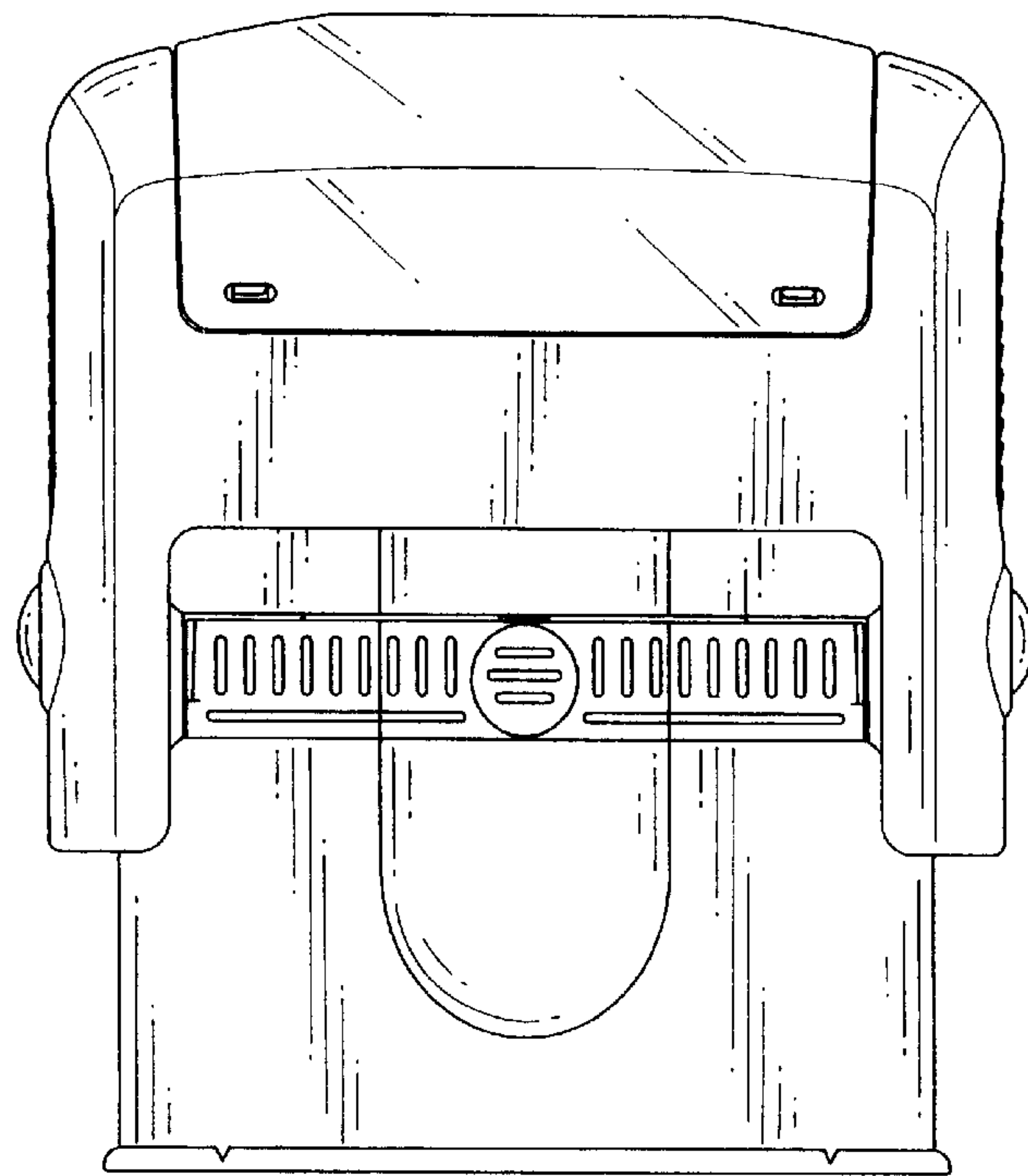


FIG. 3

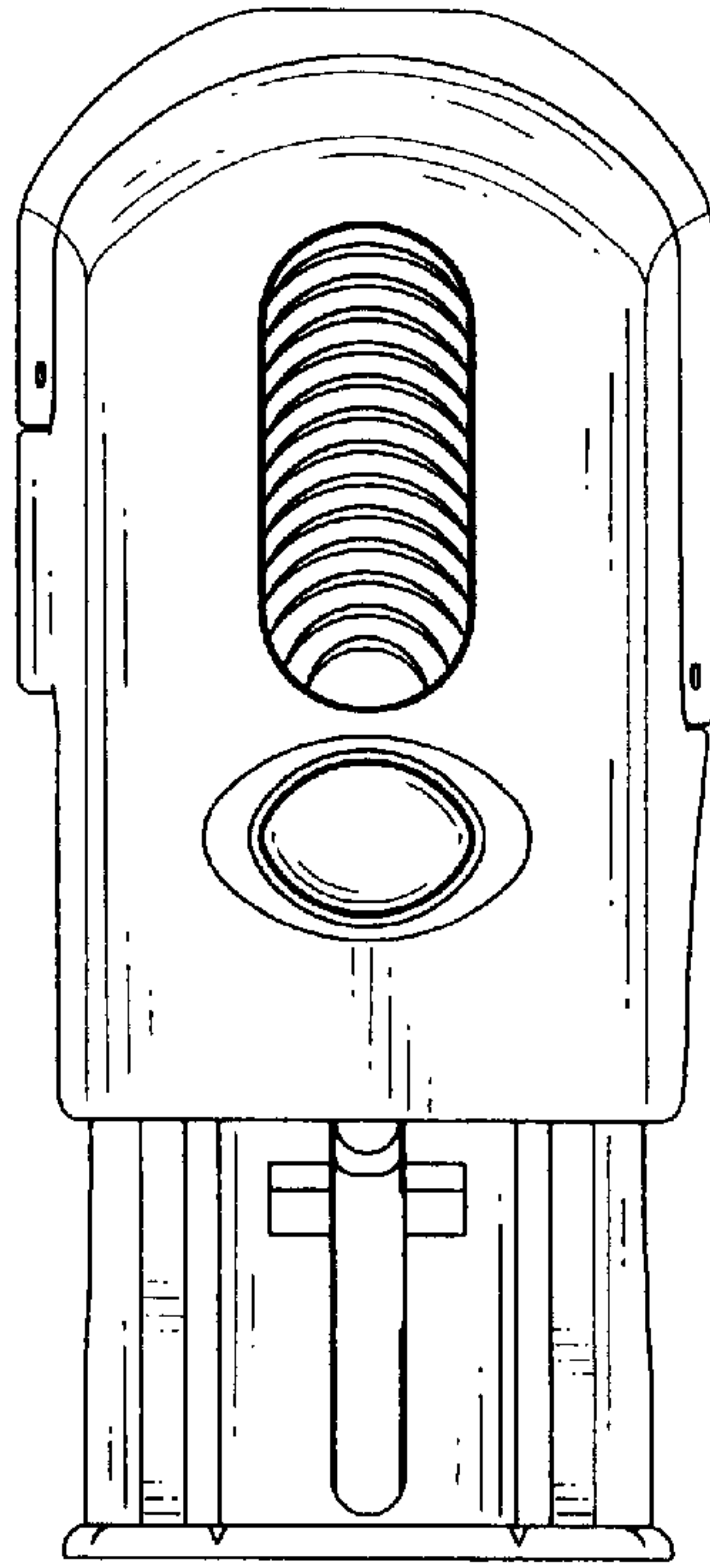


FIG. 4

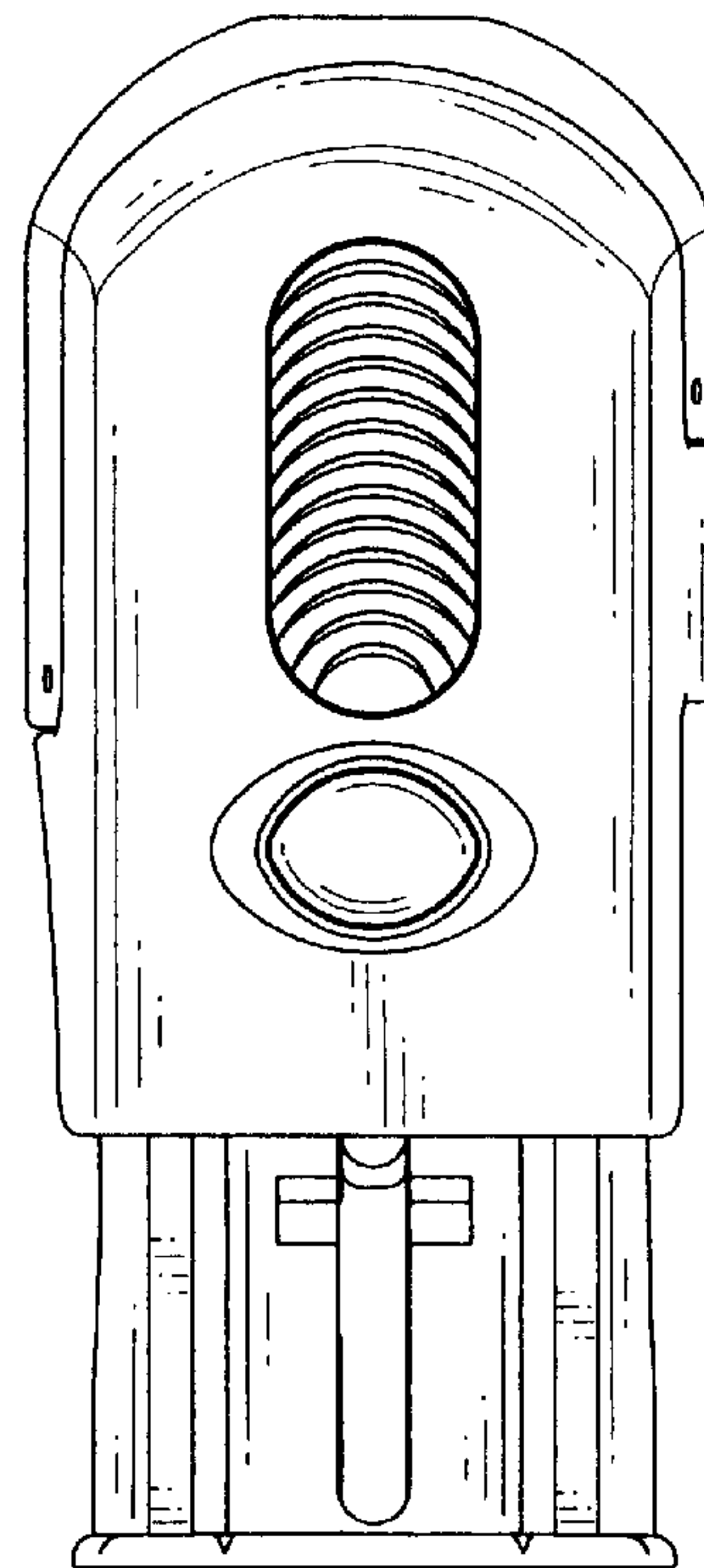


FIG. 5

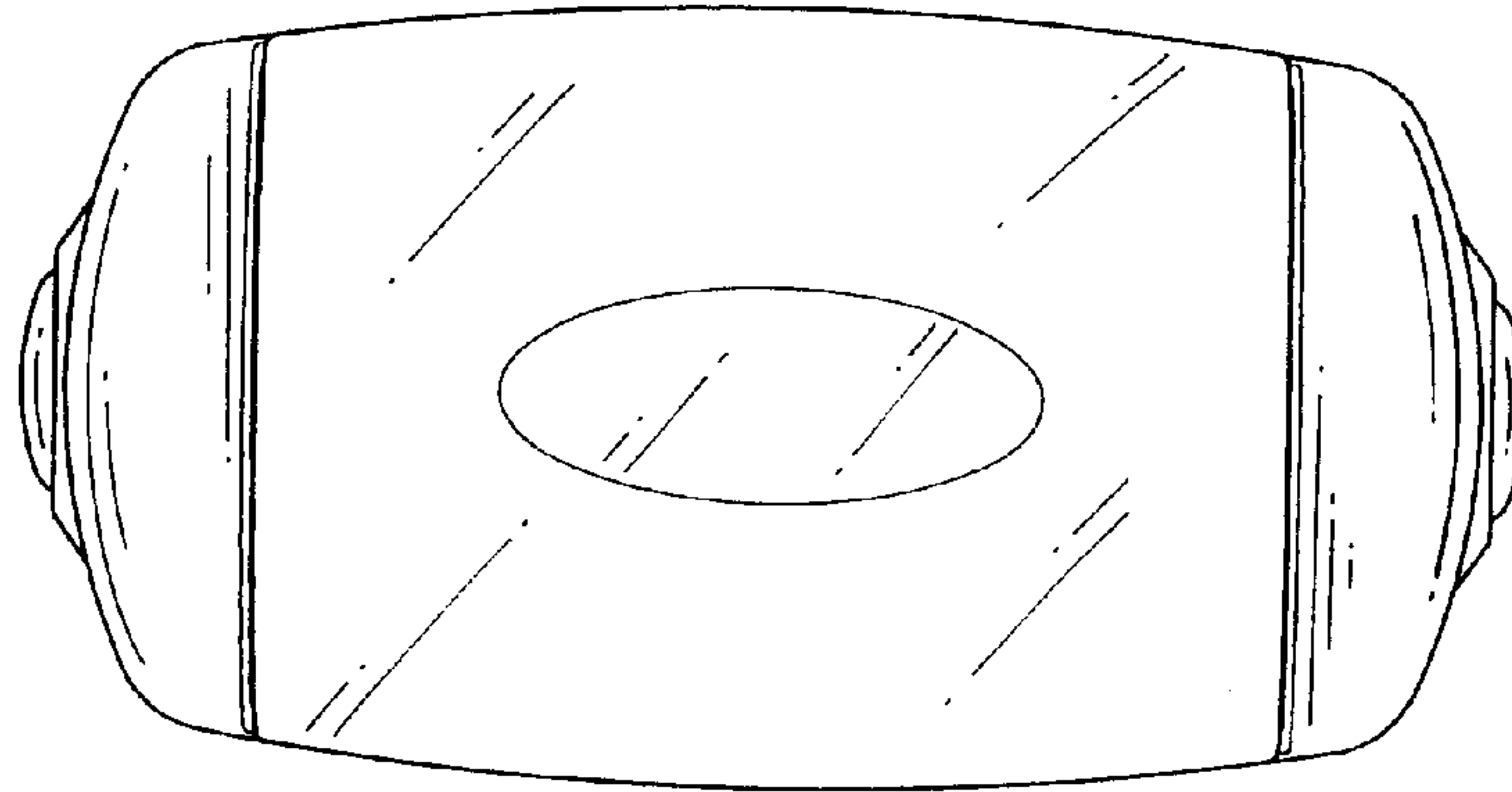


FIG. 6

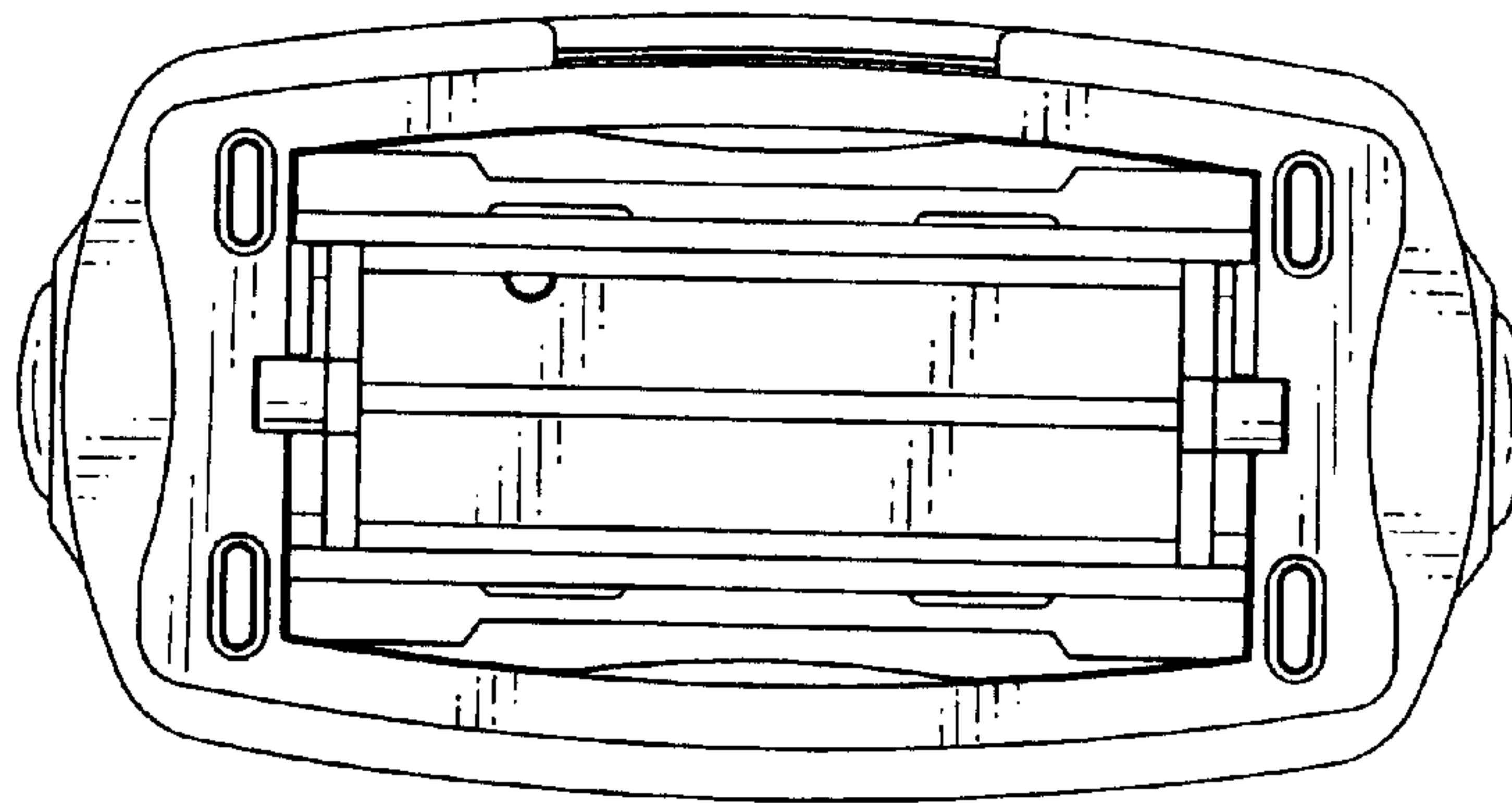


FIG. 7



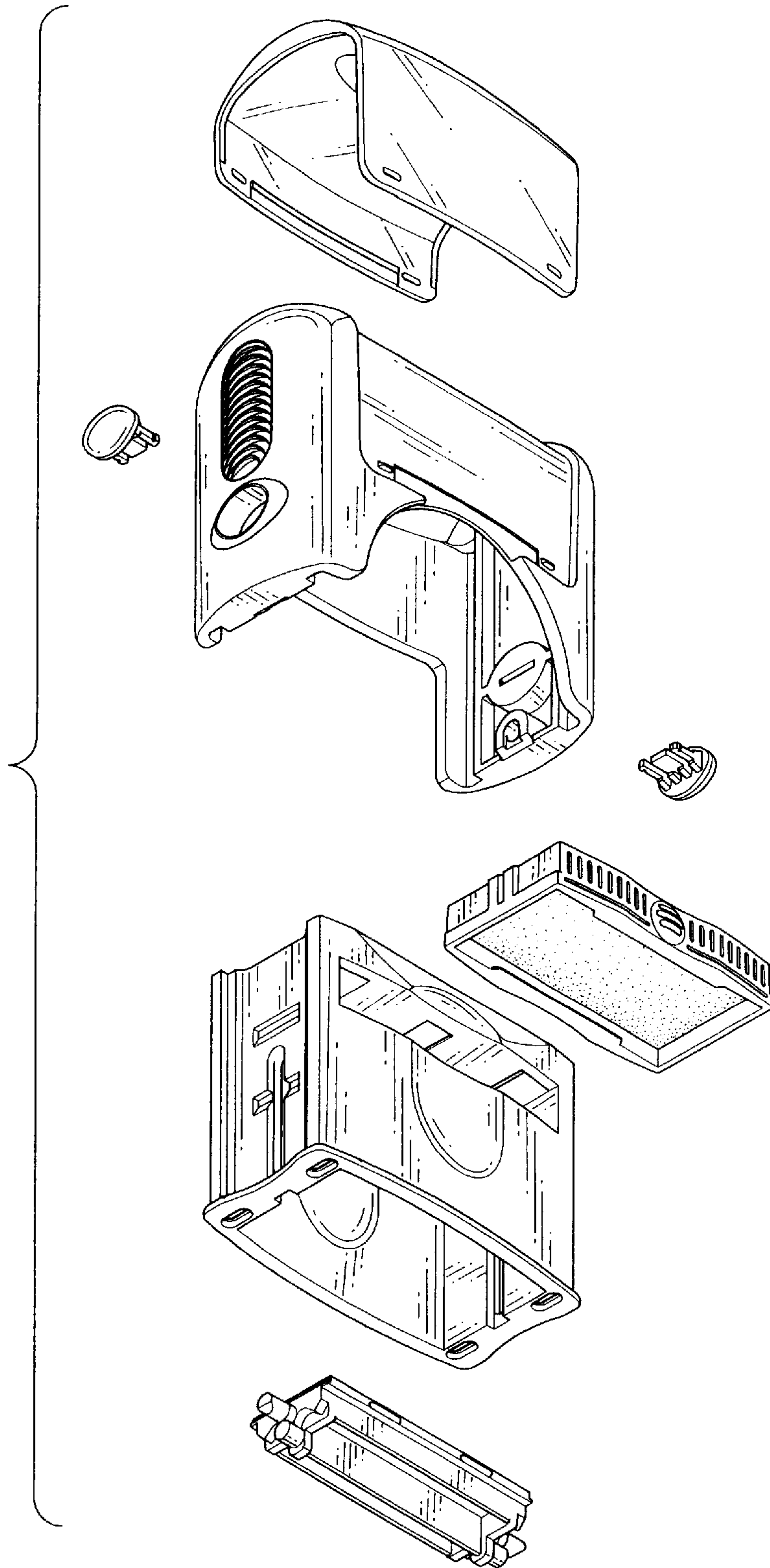


FIG.8