



US00D538834S

(12) **United States Design Patent**  
**Mangum**

(10) **Patent No.:** **US D538,834 S**

(45) **Date of Patent:** **\*\* Mar. 20, 2007**

(54) **GOGGLES**

(76) **Inventor:** **Chris Mangum**, 9601 Castin Dr.,  
Huntington Beach, CA (US) 92627

(\*\*) **Term:** **14 Years**

(21) **Appl. No.:** **29/242,744**

(22) **Filed:** **Nov. 14, 2005**

(51) **LOC (8) Cl.** ..... **16-06**

(52) **U.S. Cl.** ..... **D16/312**

(58) **Field of Classification Search** ..... D16/300-330,  
D16/101, 332-338; D29/109-110; D24/110.2;  
351/41, 44, 51-52, 62, 158, 92, 103-111,  
351/130, 61, 114-119, 121-123; 2/426-432,  
2/448, 436, 441, 447, 434-437  
See application file for complete search history.

(56) **References Cited**

**U.S. PATENT DOCUMENTS**

4,447,914 A \* 5/1984 Jannard ..... 2/432

D327,490 S \* 6/1992 Wilson ..... D16/312  
D364,181 S \* 11/1995 Arnette ..... D16/312  
D375,320 S \* 11/1996 Canavan ..... D16/312  
6,076,196 A \* 6/2000 Masumoto ..... 2/436  
6,732,382 B2 \* 5/2004 Dondero ..... 2/437  
D505,444 S \* 5/2005 Borlet et al. .... D16/312

\* cited by examiner

*Primary Examiner*—Raphael Barkai

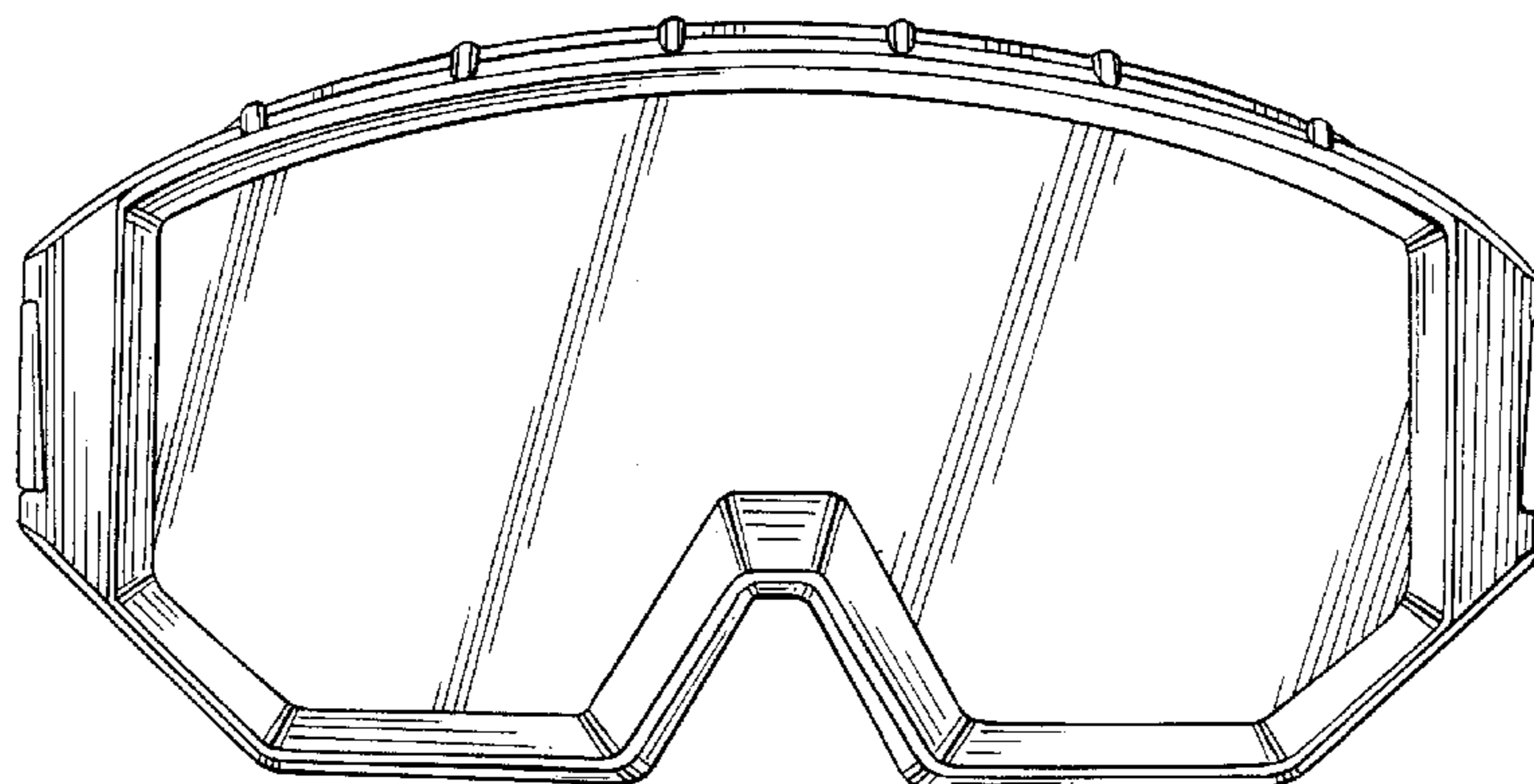
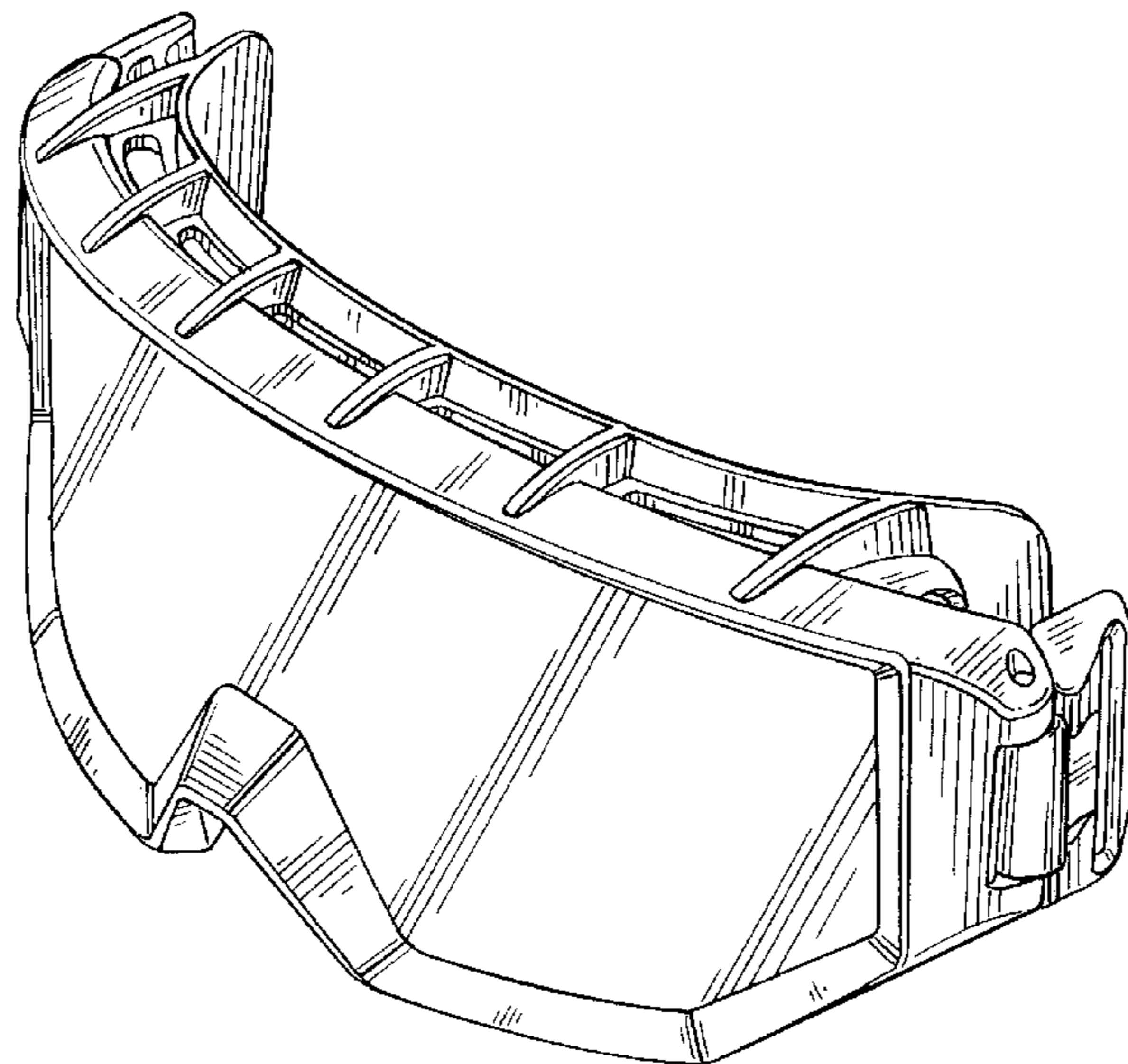
(57) **CLAIM**

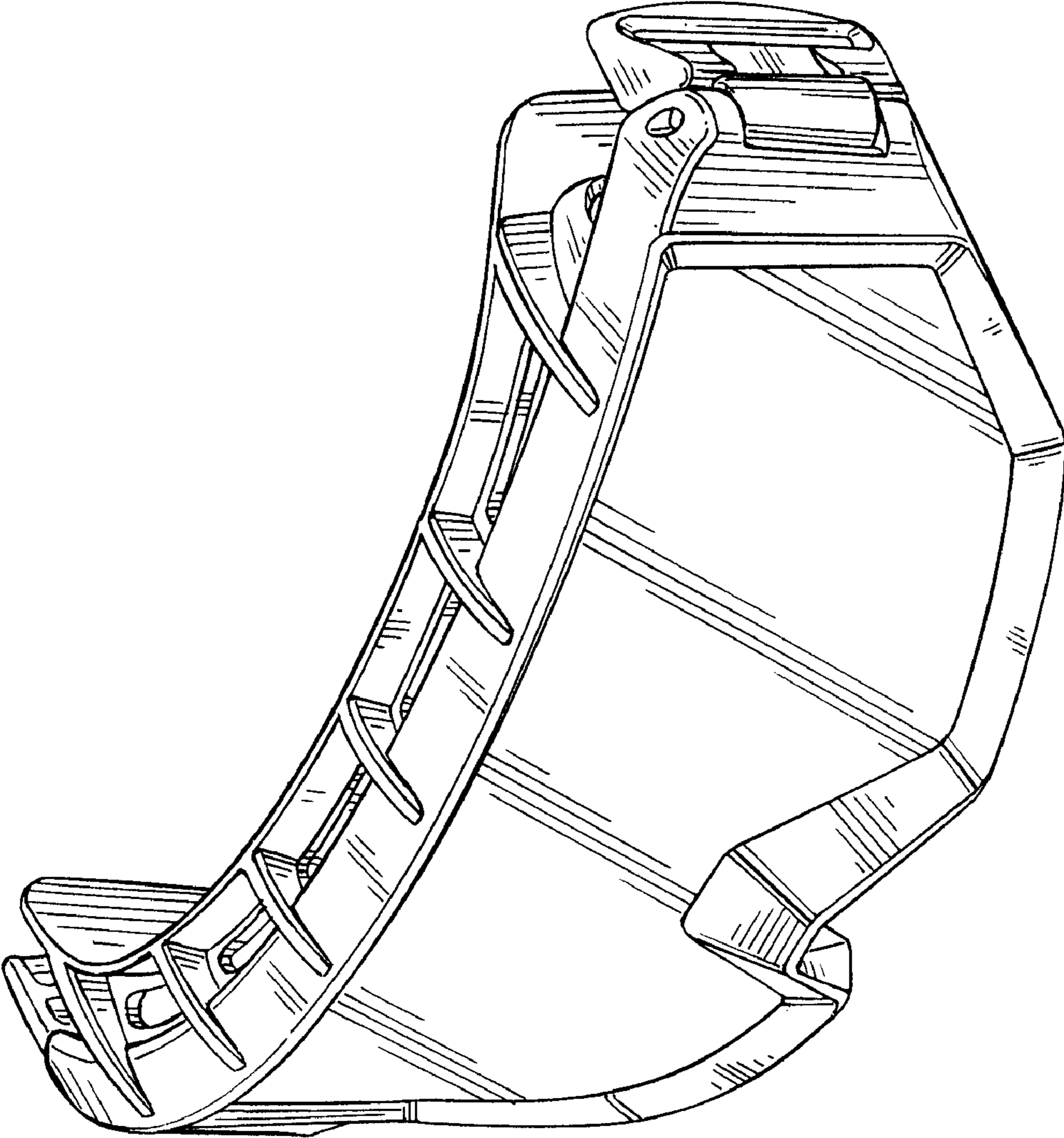
I claim the ornamental design for the goggles, as shown and described.

**DESCRIPTION**

FIG. 1 is a perspective view of the goggles;  
FIG. 2 is a front view of the goggles;  
FIG. 3 is a top view of the goggles; and,  
FIG. 4 is a right side view of the goggles, the left side being  
a mirror image.

**1 Claim, 3 Drawing Sheets**





*FIG. 1*

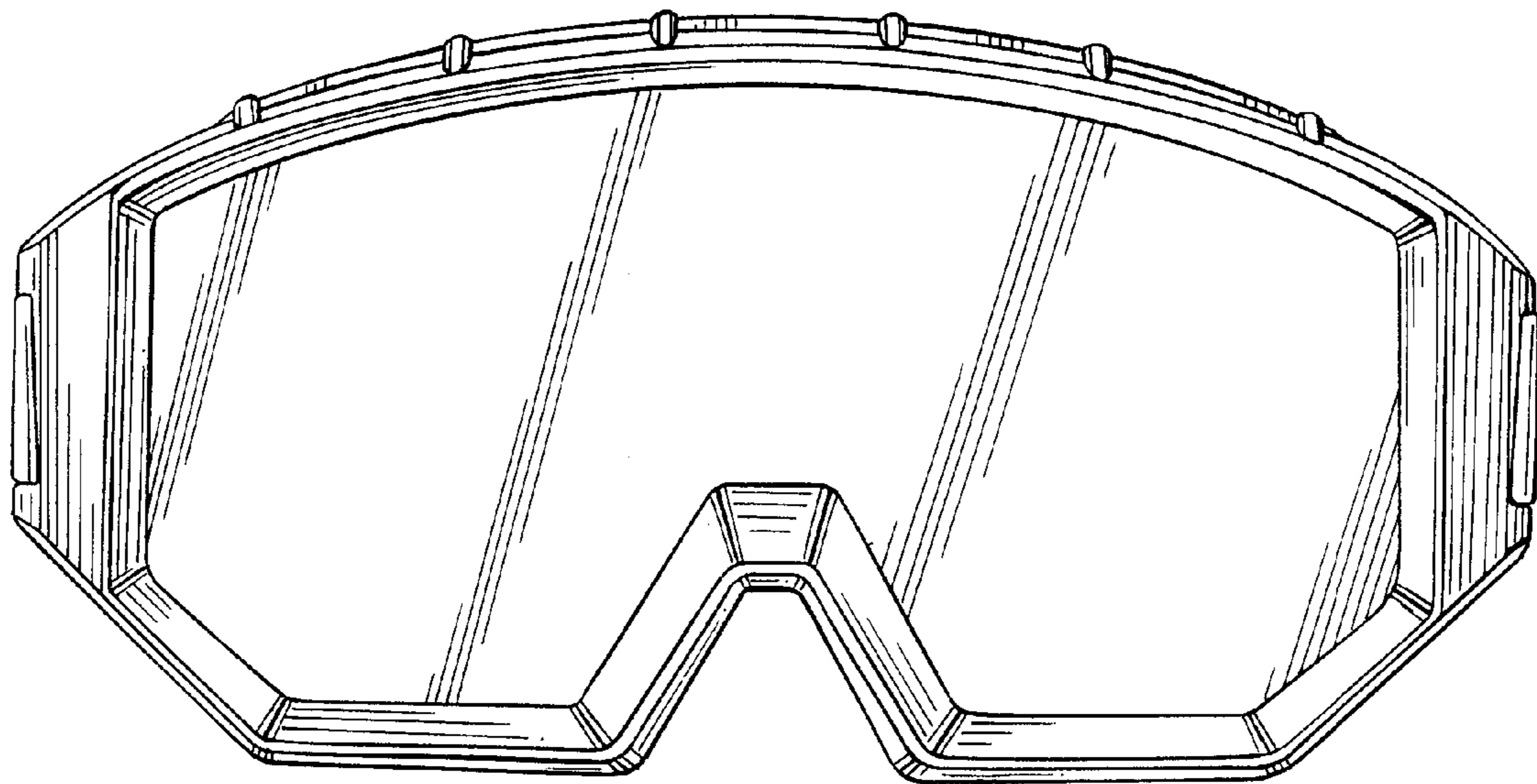


FIG. 2

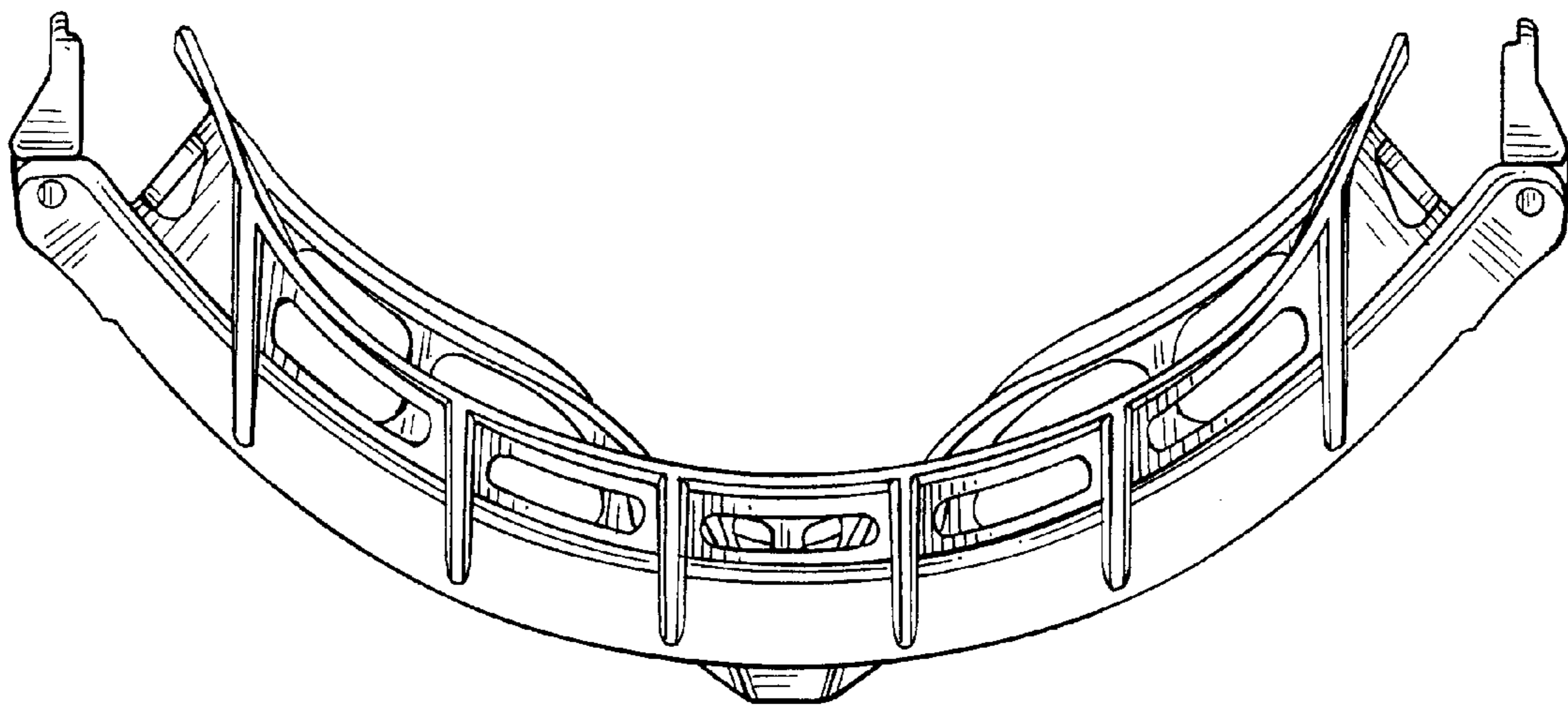
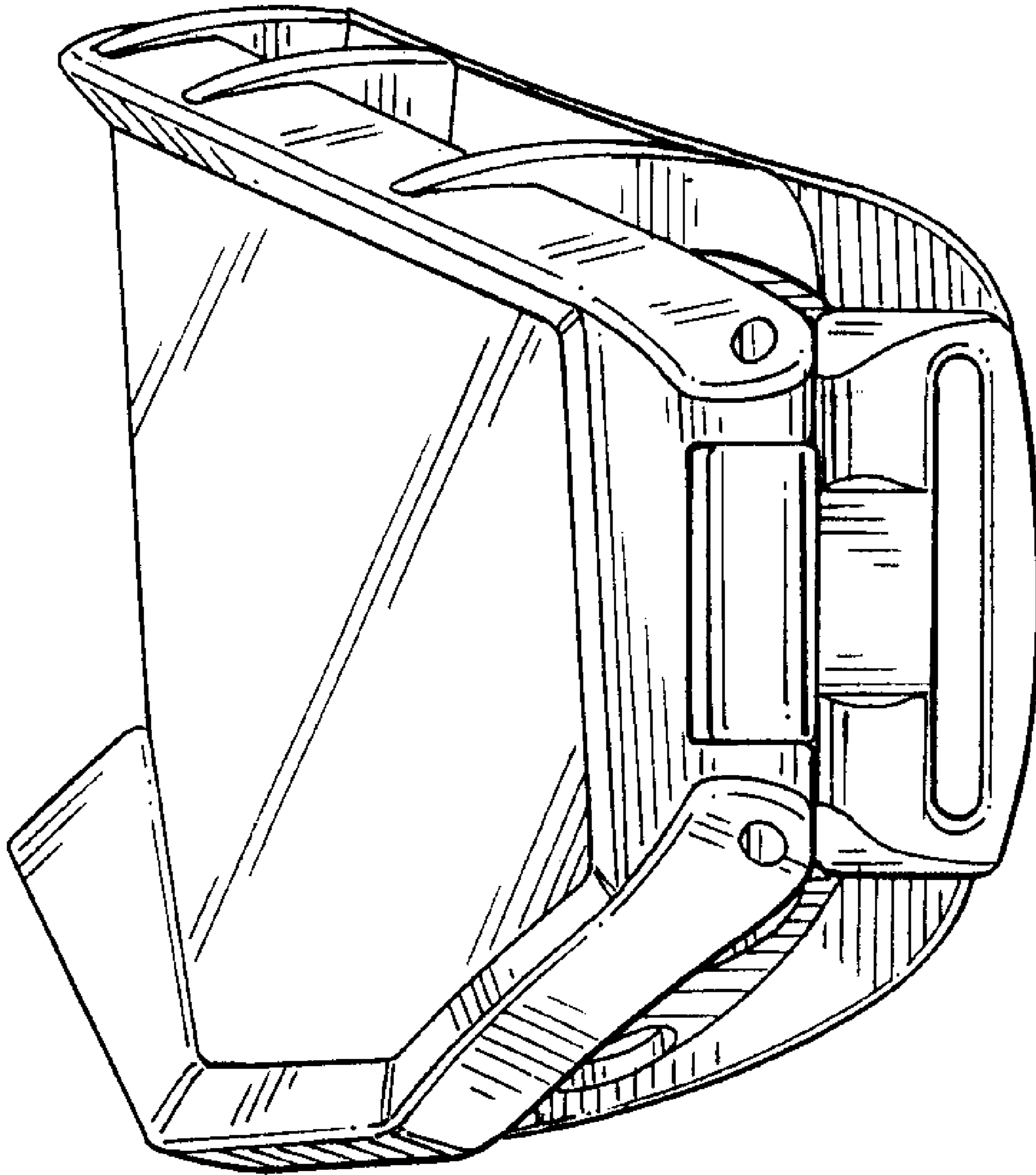


FIG. 3



**FIG. 4**