



US00D538833S

(12) **United States Design Patent**
Tokiwa et al.

(10) **Patent No.:** **US D538,833 S**

(45) **Date of Patent:** **** Mar. 20, 2007**

(54) **CAMERA BODY**

(75) Inventors: **Kentaro Tokiwa**, Asaka (JP); **Takehiko Senba**, Asaka (JP); **Hiroshi Tanaka**, Asaka (JP)

(73) Assignee: **Fuji Photo Film Co., Ltd.**, Kanagawa (JP)

(**) Term: **14 Years**

(21) Appl. No.: **29/235,976**

(22) Filed: **Aug. 10, 2005**

(30) **Foreign Application Priority Data**

Feb. 10, 2005 (JP) 2005-003648

(51) **LOC (8) Cl.** **16-05**

(52) **U.S. Cl.** **D16/219; D16/134**

(58) **Field of Classification Search** D16/134, D16/136, 200, 202, 218, 219; 348/373-376; 358/909.1; 359/815, 819, 826-828; 396/529-532, 396/535, 540, 541, 544

See application file for complete search history.

(56) **References Cited**

U.S. PATENT DOCUMENTS

4,330,192 A * 5/1982 Shimizu 396/529

D303,976 S * 10/1989 Kimura et al. D16/134
5,012,264 A * 4/1991 Nagano et al. 396/532
D339,599 S * 9/1993 Tiffen D16/219
5,384,614 A * 1/1995 Hasuda 396/529
6,089,761 A * 7/2000 Sakurai 396/531
D478,110 S * 8/2003 Nasu D16/219

* cited by examiner

Primary Examiner—Adir Aronovich

(74) *Attorney, Agent, or Firm*—Young & Thompson

(57) **CLAIM**

The ornamental design for a camera body, as shown and described.

DESCRIPTION

FIG. 1 is a top, front and side perspective view of a camera body showing our new design;

FIG. 2 is a front elevational view thereof; and

FIG. 3 is a view similar to FIG. 1, but with the parts in a different position; and,

FIG. 4 is a reduced top, front and side perspective view thereof, the broken line showing of a lens body and camera housing are included to illustrate the environment only and forms no part of the claimed design.

1 Claim, 2 Drawing Sheets

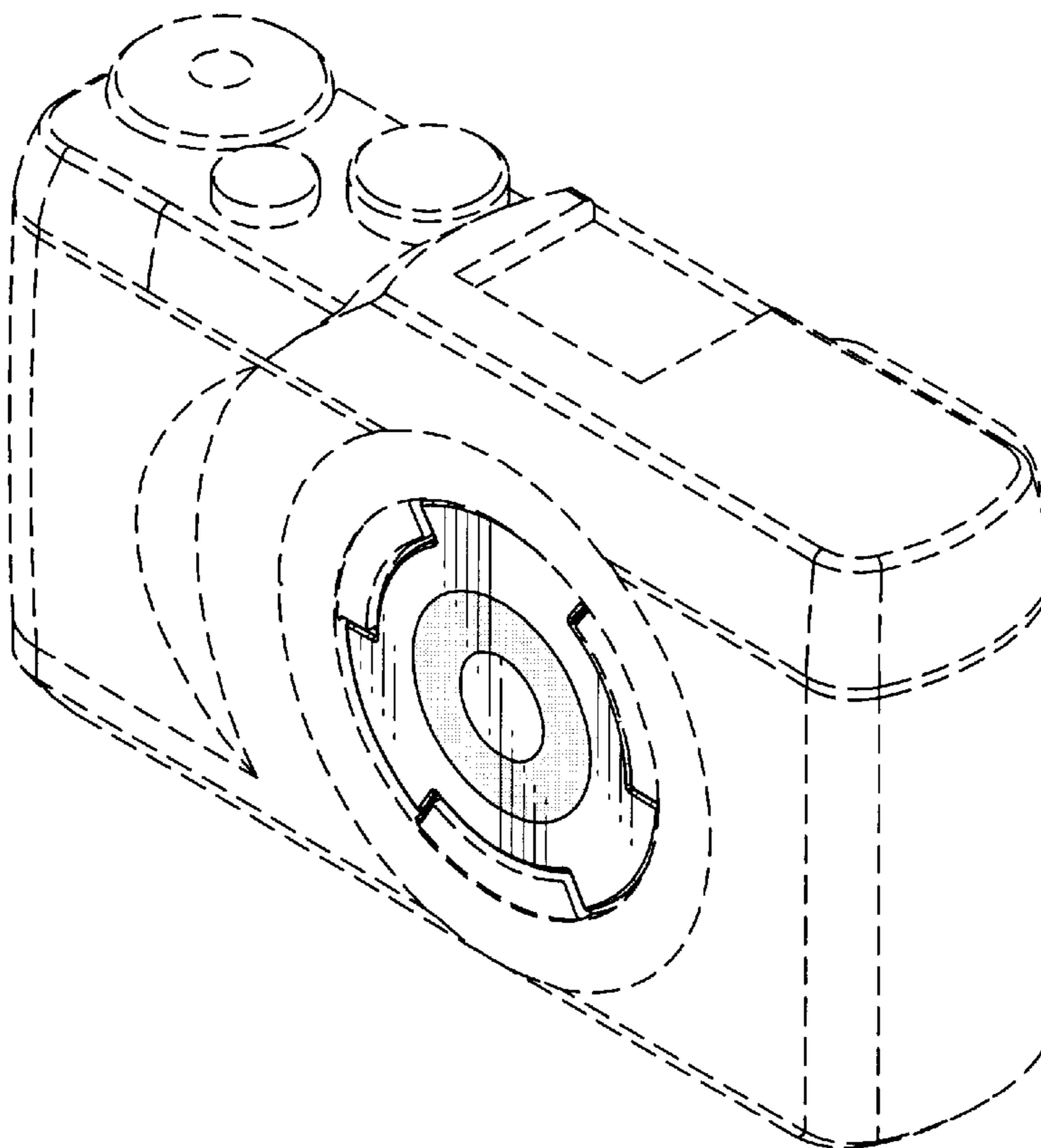


FIG.1

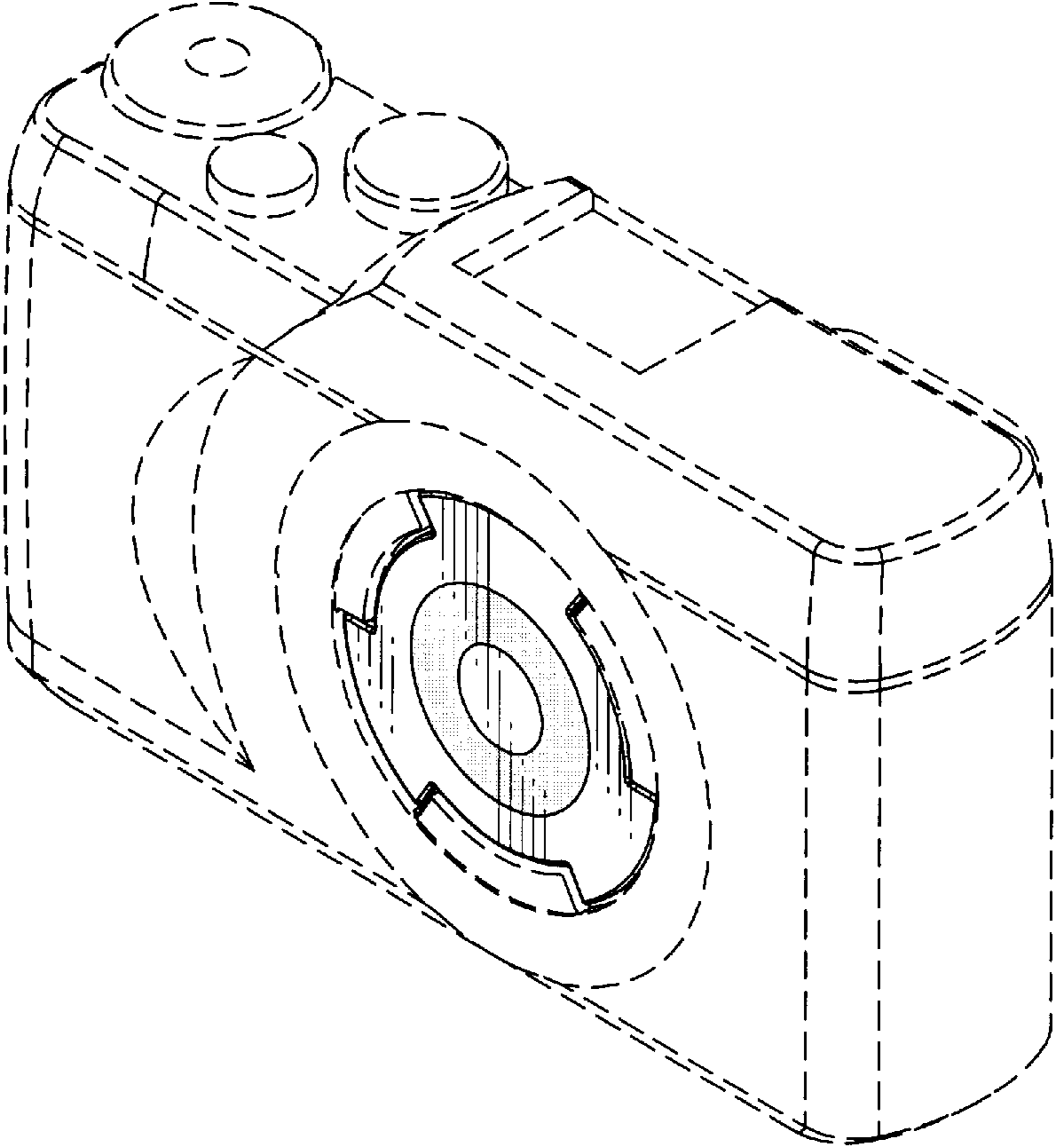


FIG.2

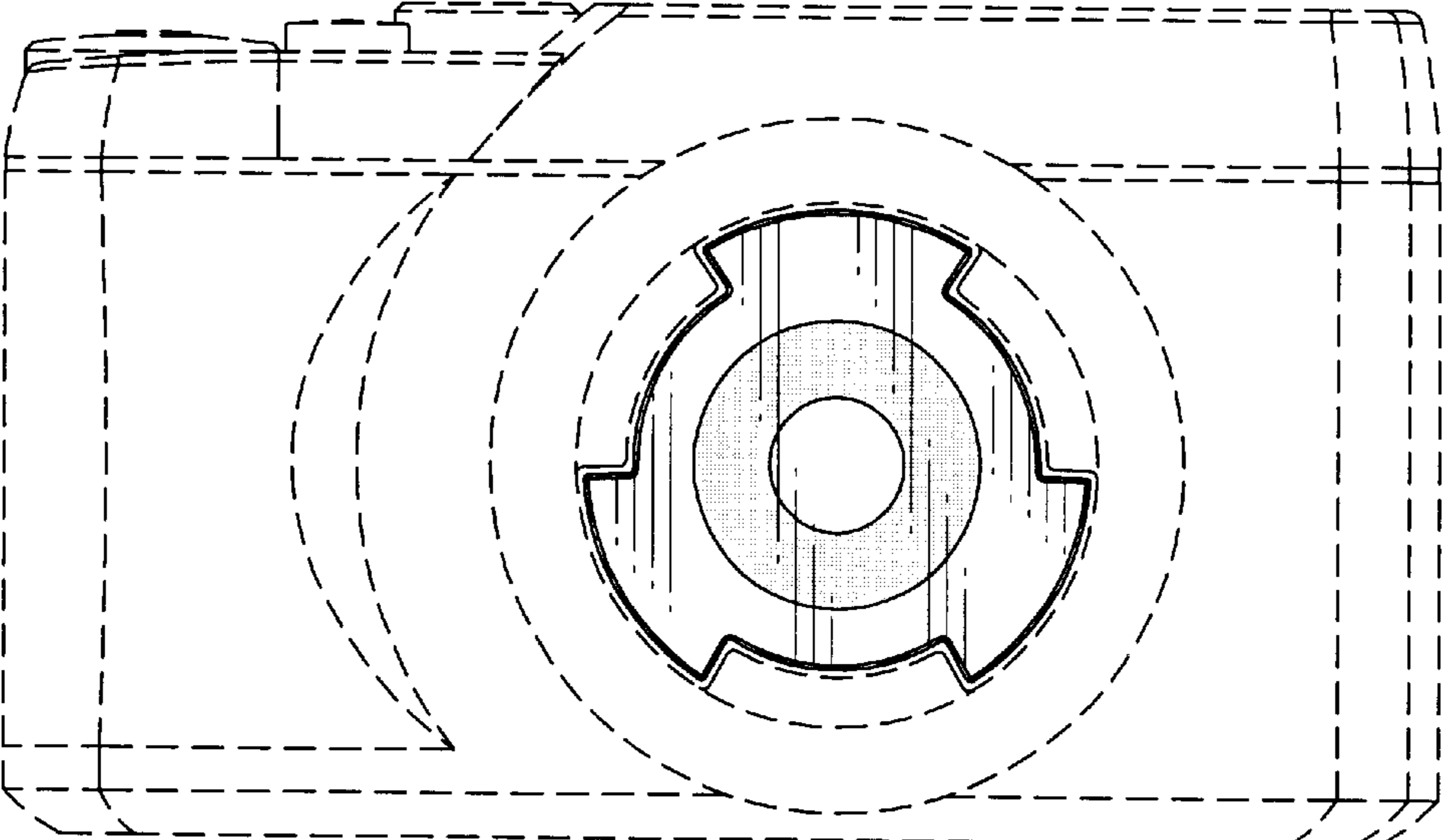


FIG.3

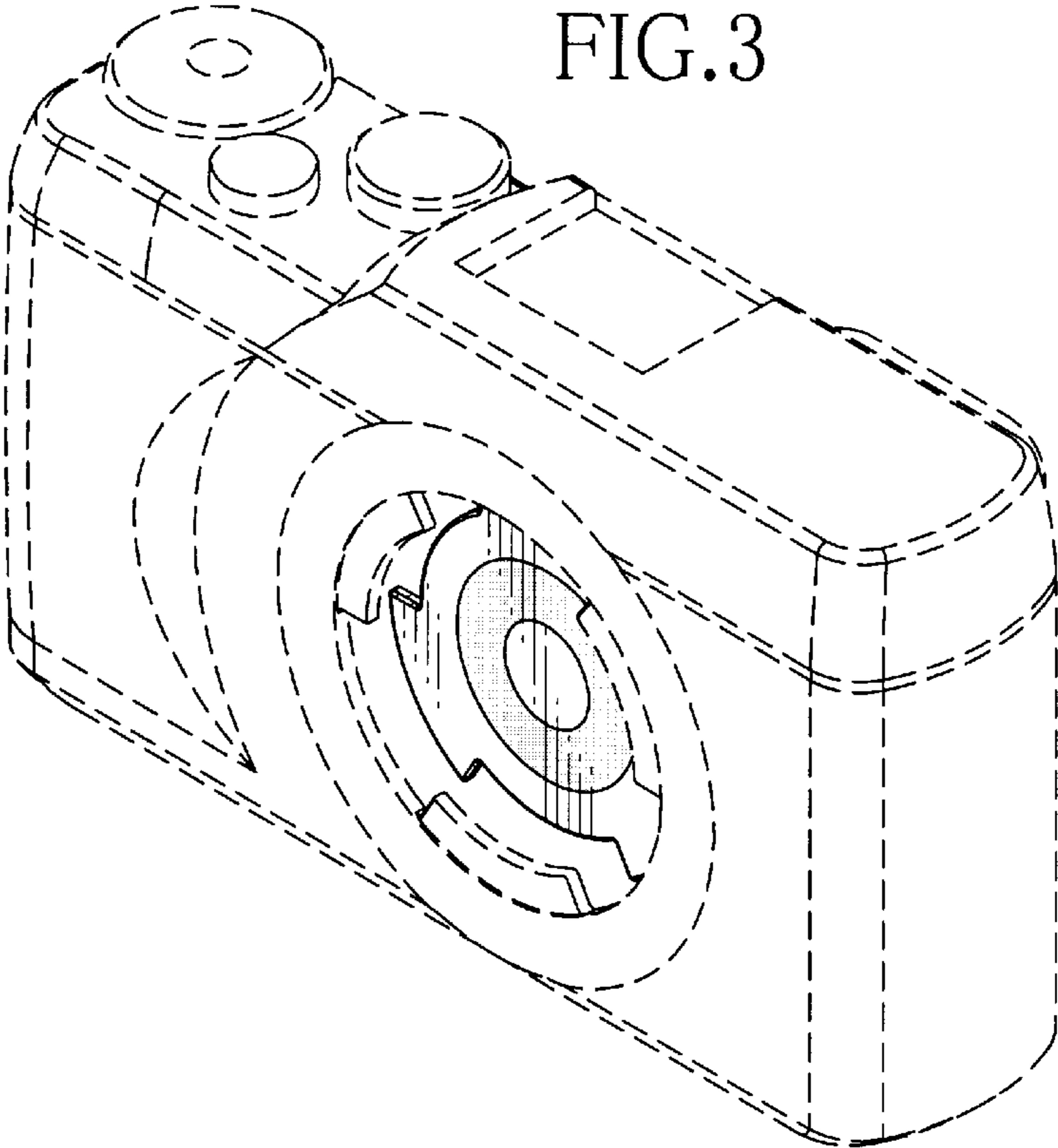


FIG.4

