



US00D538831S

(12) **United States Design Patent**  
**Watarai**

(10) **Patent No.:** **US D538,831 S**  
(45) **Date of Patent:** **\*\* Mar. 20, 2007**

(54) **DIGITAL CAMERA**

(75) Inventor: **Kazuhiko Watarai**, Tama (JP)

(73) Assignee: **Olympus Imaging Corp.**, Tokyo (JP)

(\*\*) Term: **14 Years**

(21) Appl. No.: **29/236,246**

(22) Filed: **Aug. 12, 2005**

(51) **LOC (8) Cl.** ..... **16-01**

(52) **U.S. Cl.** ..... **D16/202; D16/206**

(58) **Field of Classification Search** ..... **D16/200-206,**  
**D16/208, 218; 348/373-376; 358/906, 909.1;**  
**396/535-541**

See application file for complete search history.

(56) **References Cited**

**U.S. PATENT DOCUMENTS**

D497,173 S	*	10/2004	Ogura	.....	D16/202
6,809,773 B1	*	10/2004	Watarai et al.	.....	348/373
D513,027 S	*	12/2005	Katayama	.....	D16/202
D514,610 S	*	2/2006	Urushihata	.....	D16/202
D520,544 S	*	5/2006	Senda	.....	D16/202
D528,580 S	*	9/2006	Sumita	.....	D16/206

\* cited by examiner

*Primary Examiner*—Adir Aronovich

(74) *Attorney, Agent, or Firm*—Hogan & Hartson LLP

(57) **CLAIM**

The ornamental design for a digital camera, as shown and described.

**DESCRIPTION**

FIG. 1 is a front, top and right side perspective view of a digital camera, showing my new design;

FIG. 2 is a rear, top and left side perspective view thereof;

FIG. 3 is a front elevational view thereof;

FIG. 4 is a rear elevational view thereof;

FIG. 5 is a top plan view thereof;

FIG. 6 is a bottom plan view thereof;

FIG. 7 is a right side elevational view thereof;

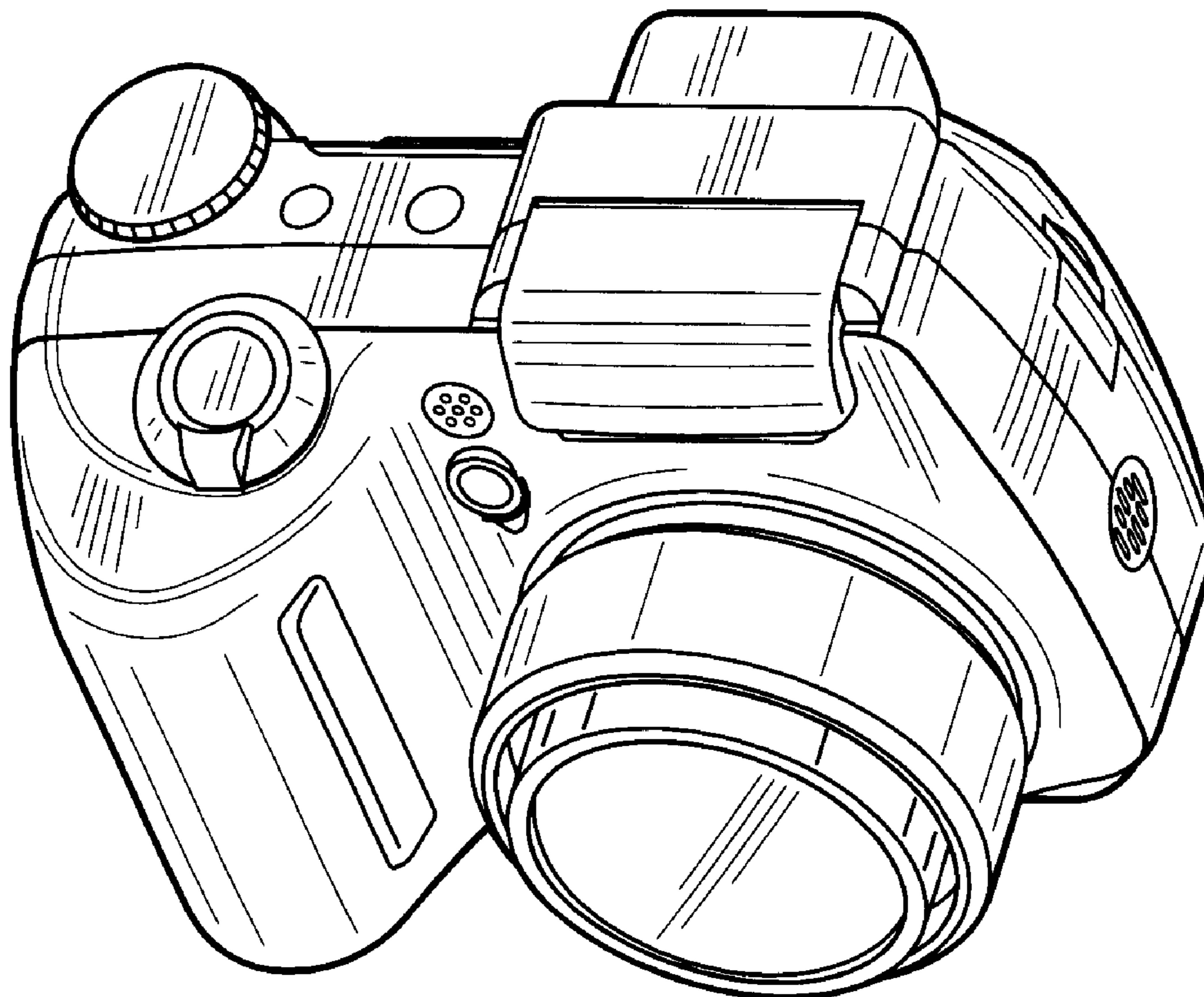
FIG. 8 is a left side elevational view thereof;

FIG. 9 is a front, top and right side perspective view thereof with a lens barrel in an extended state;

FIG. 10 is a top plan view thereof with the lens barrel in an extended state; and,

FIG. 11 is a right side elevational view thereof with the lens barrel in an extended state.

**1 Claim, 6 Drawing Sheets**



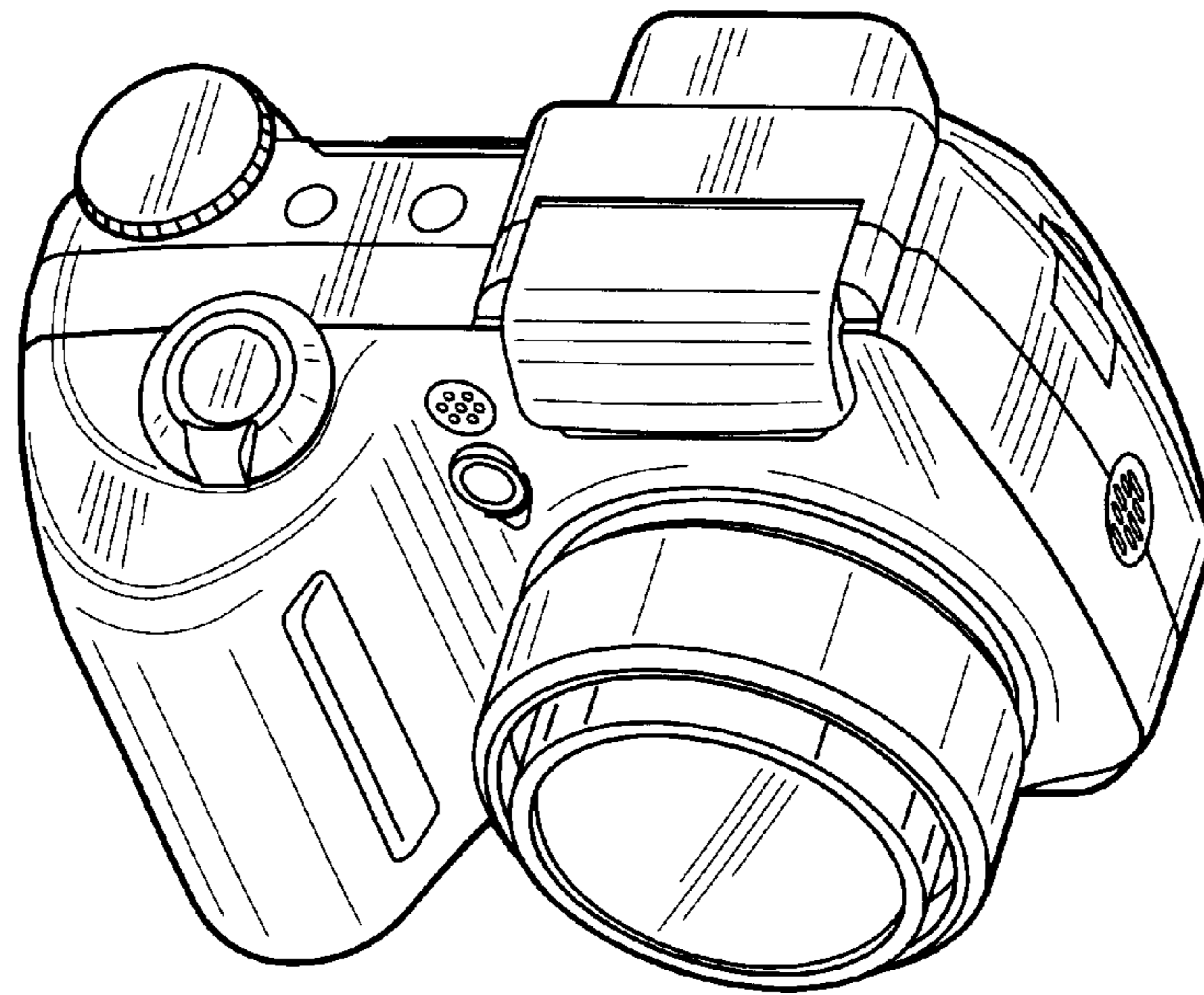


FIG. 1

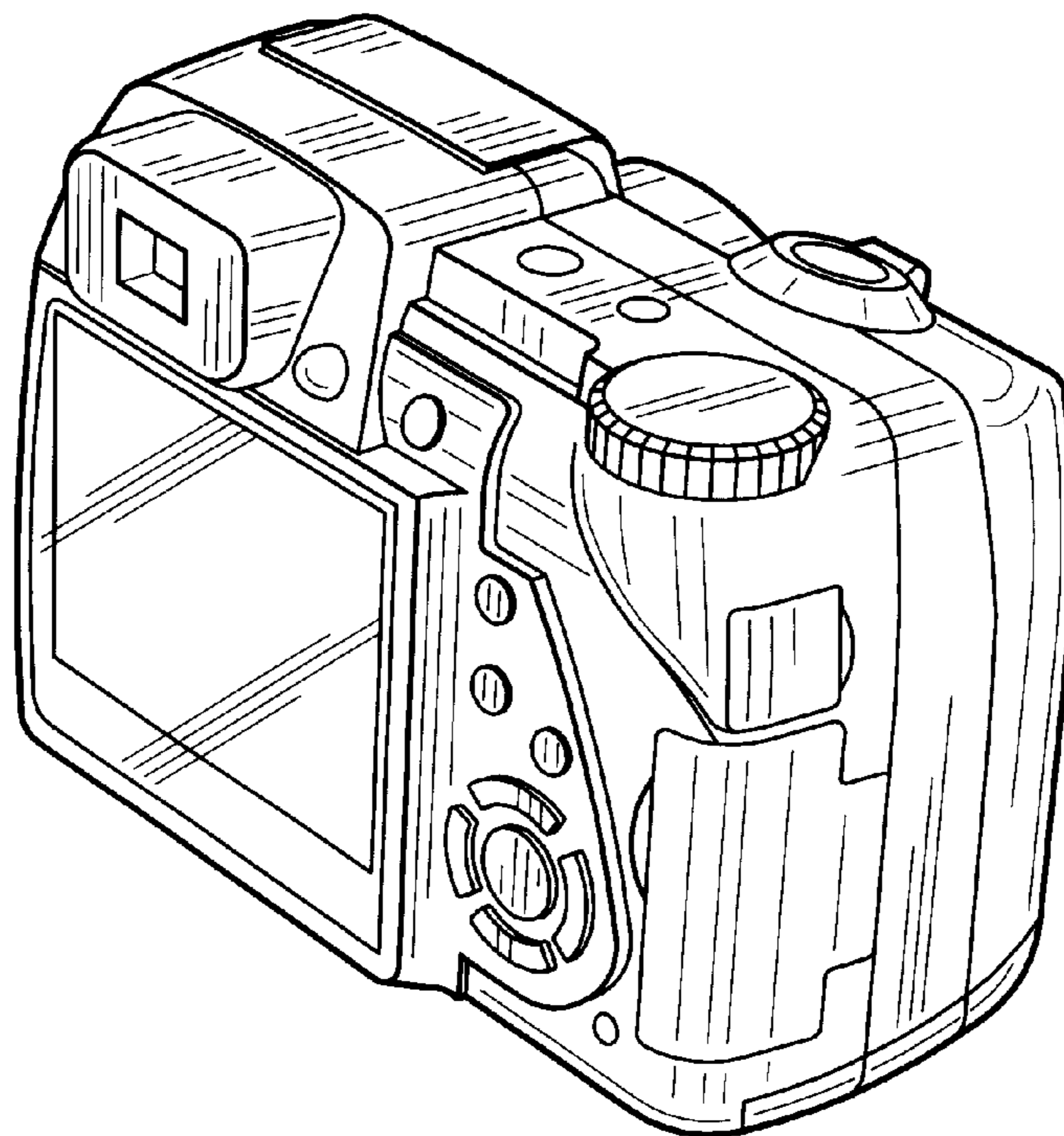


FIG. 2

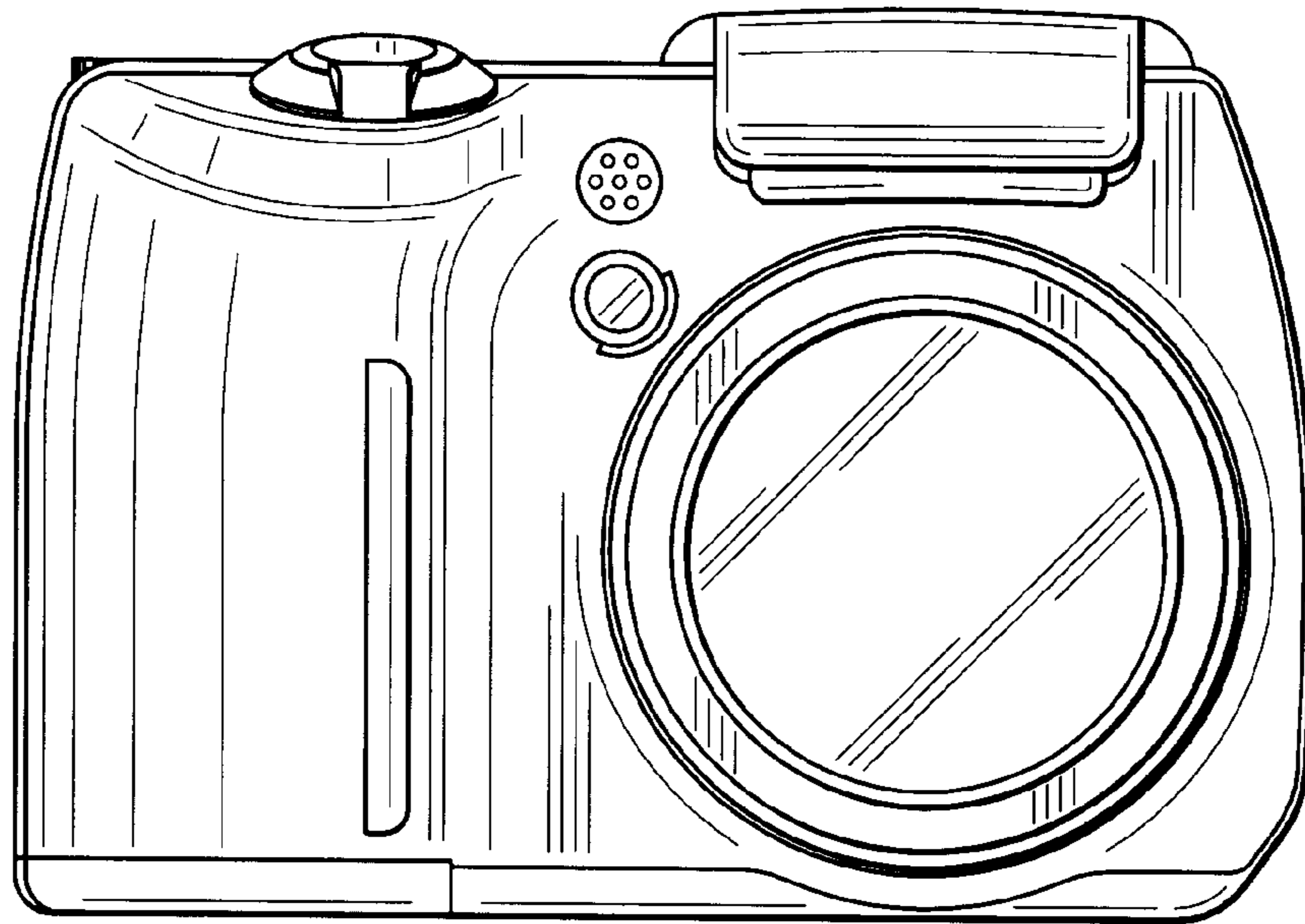


FIG. 3

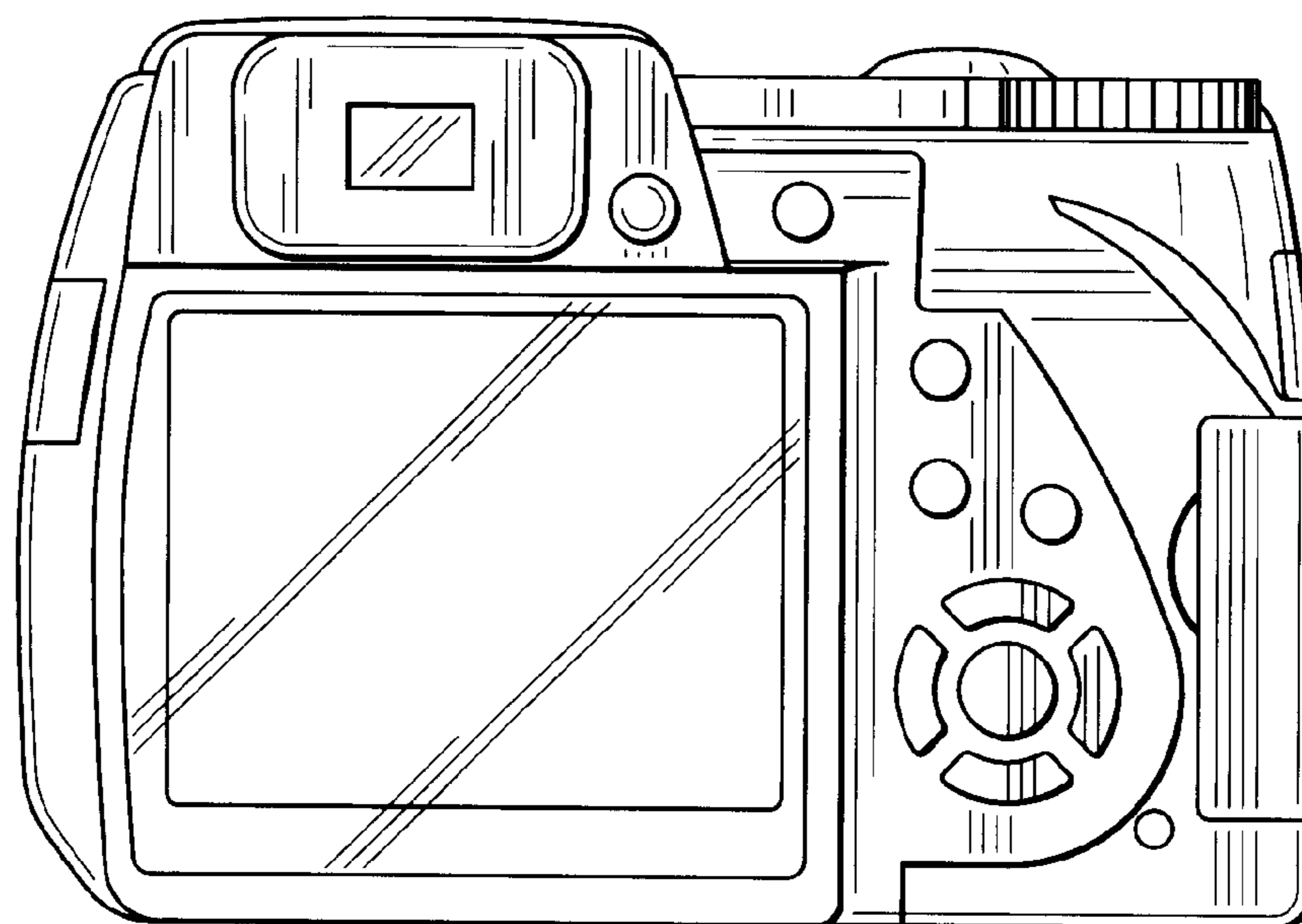


FIG. 4

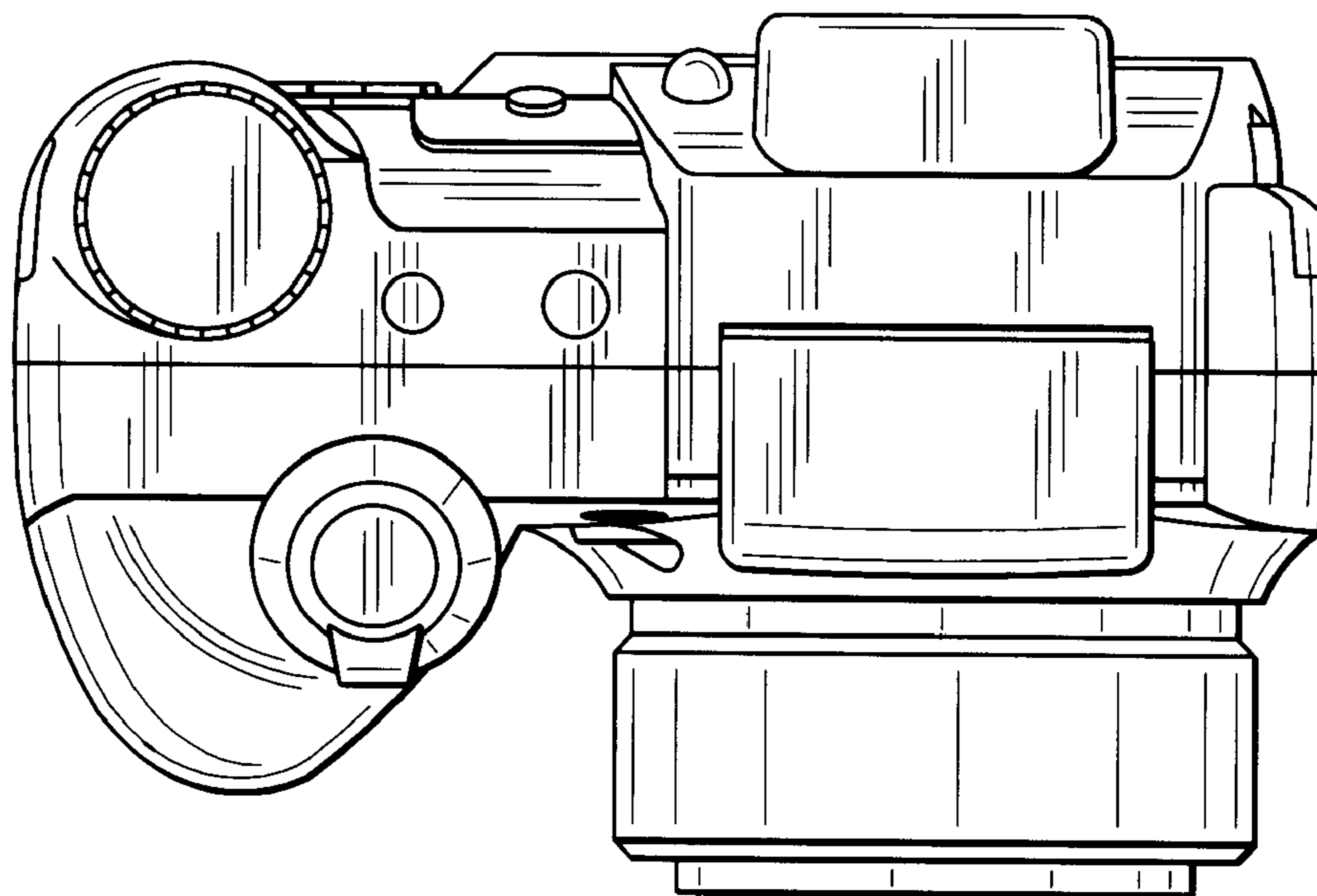


FIG. 5

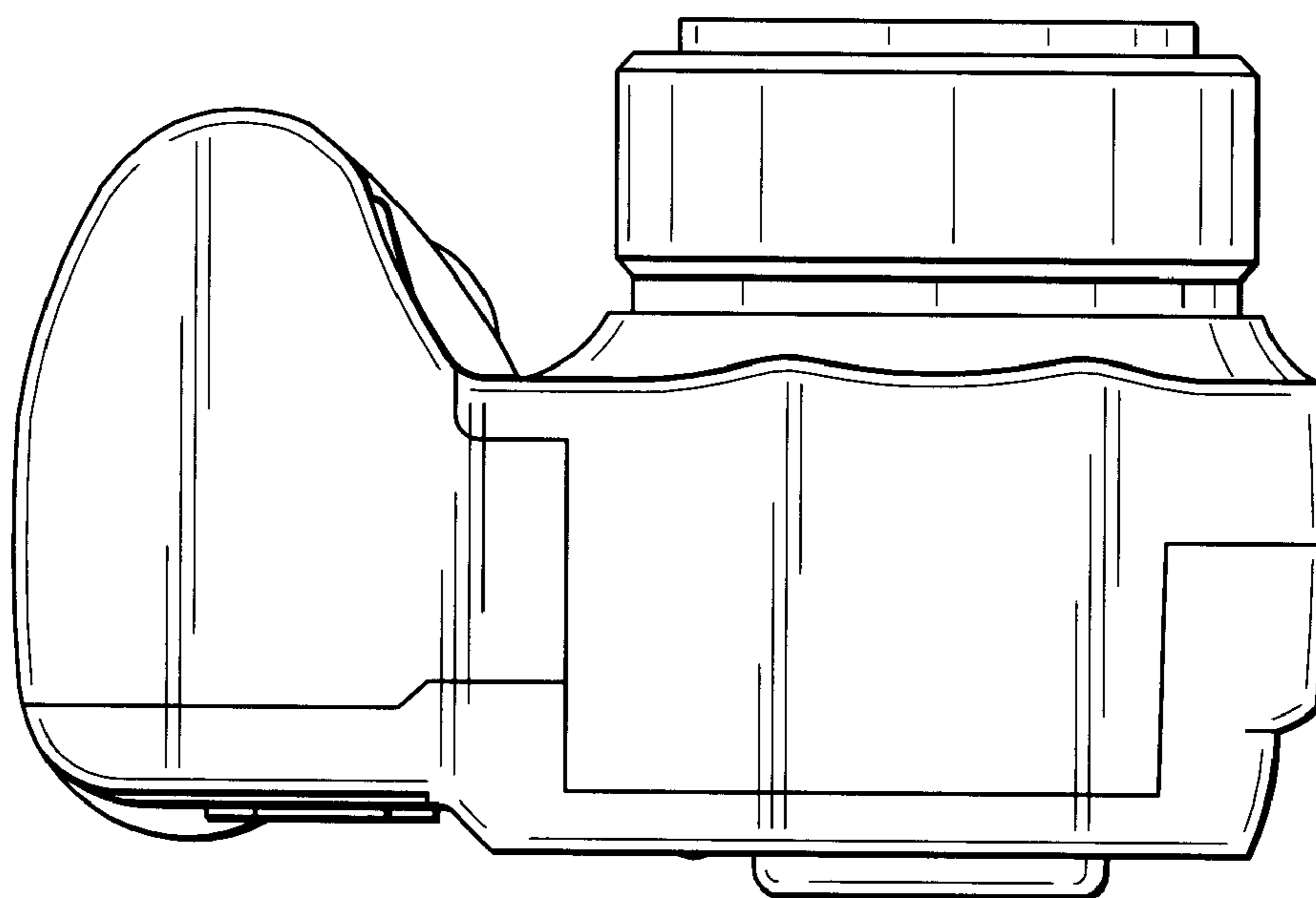


FIG. 6

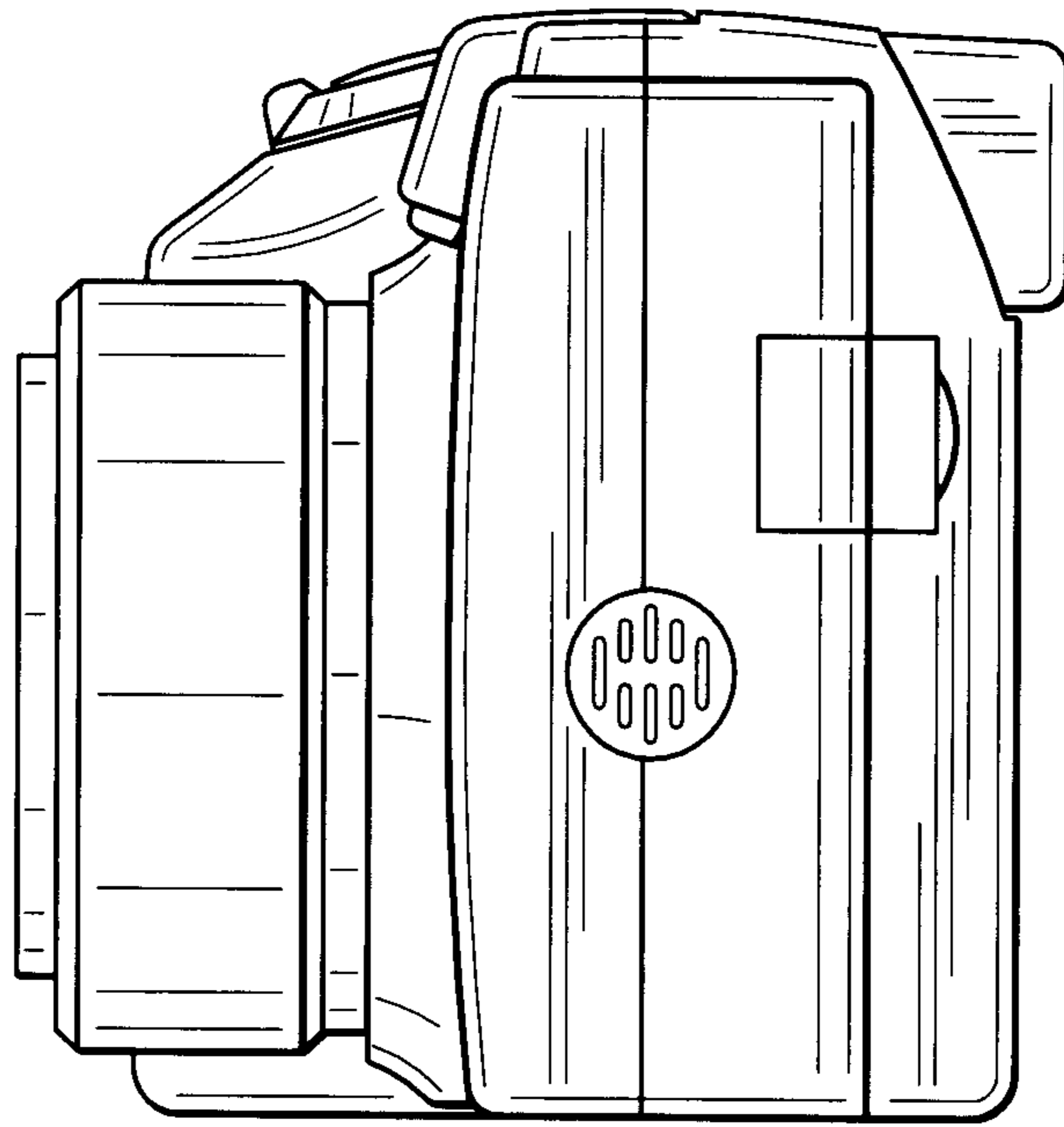


FIG. 7

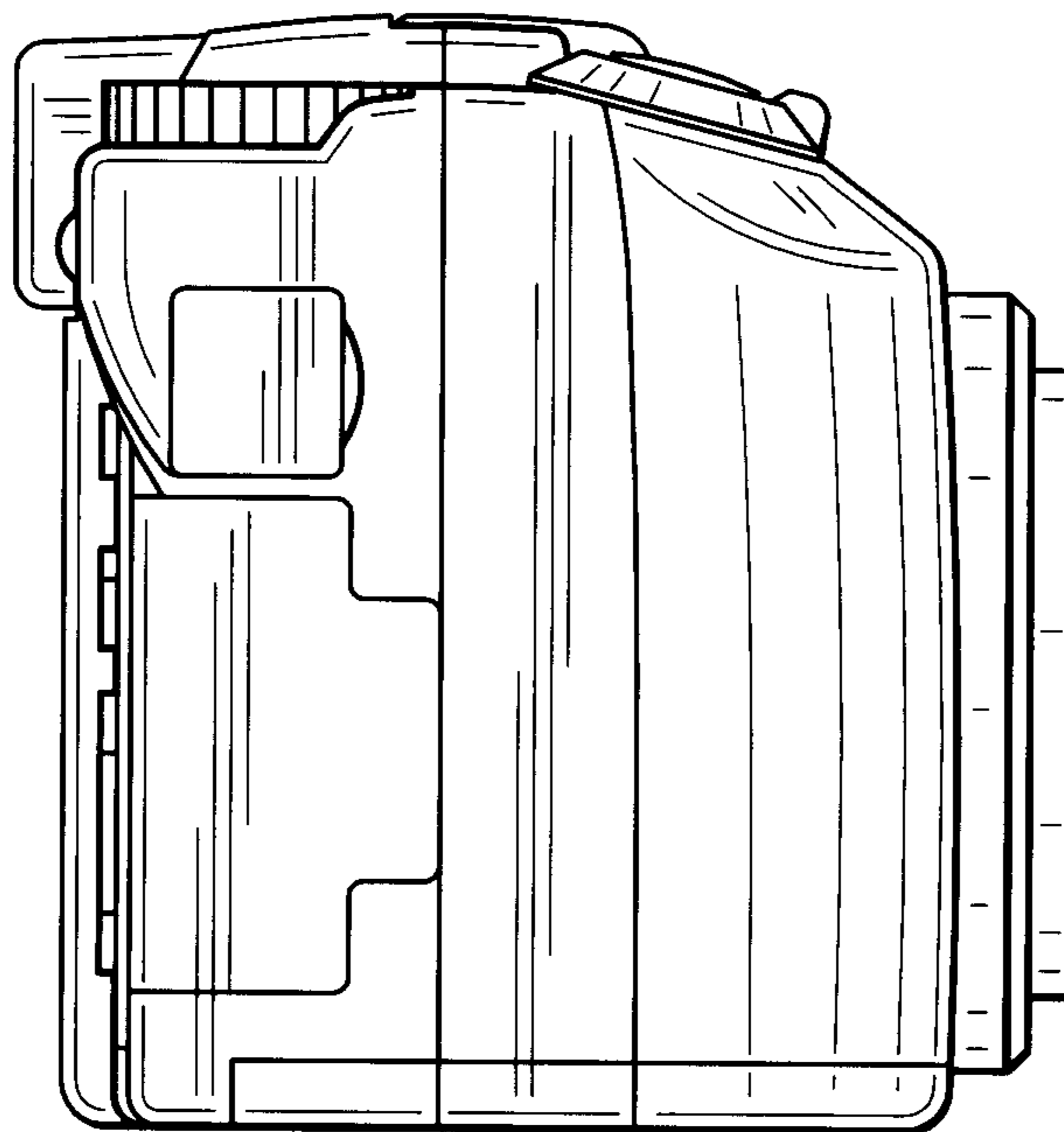


FIG. 8

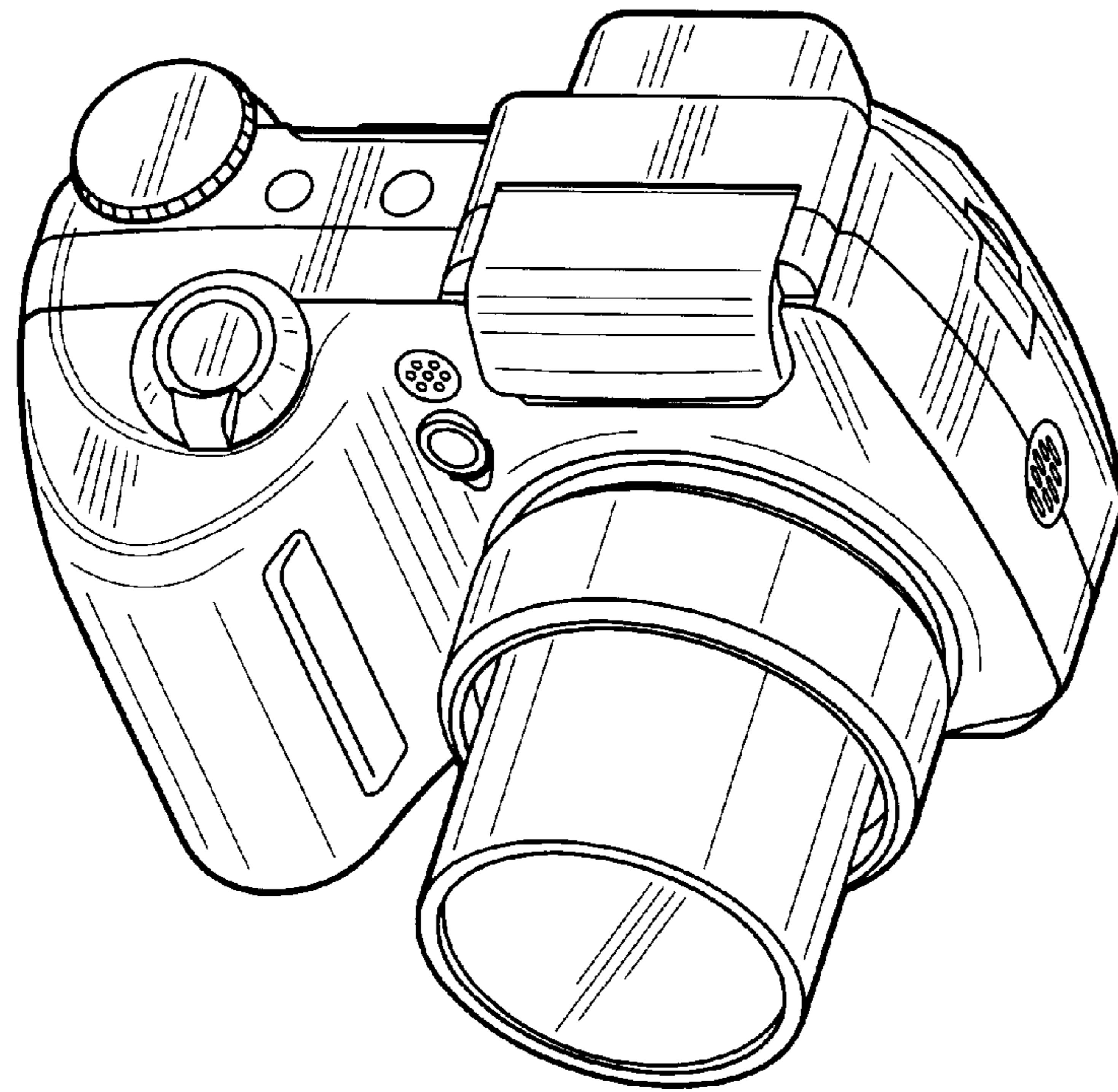


FIG. 9

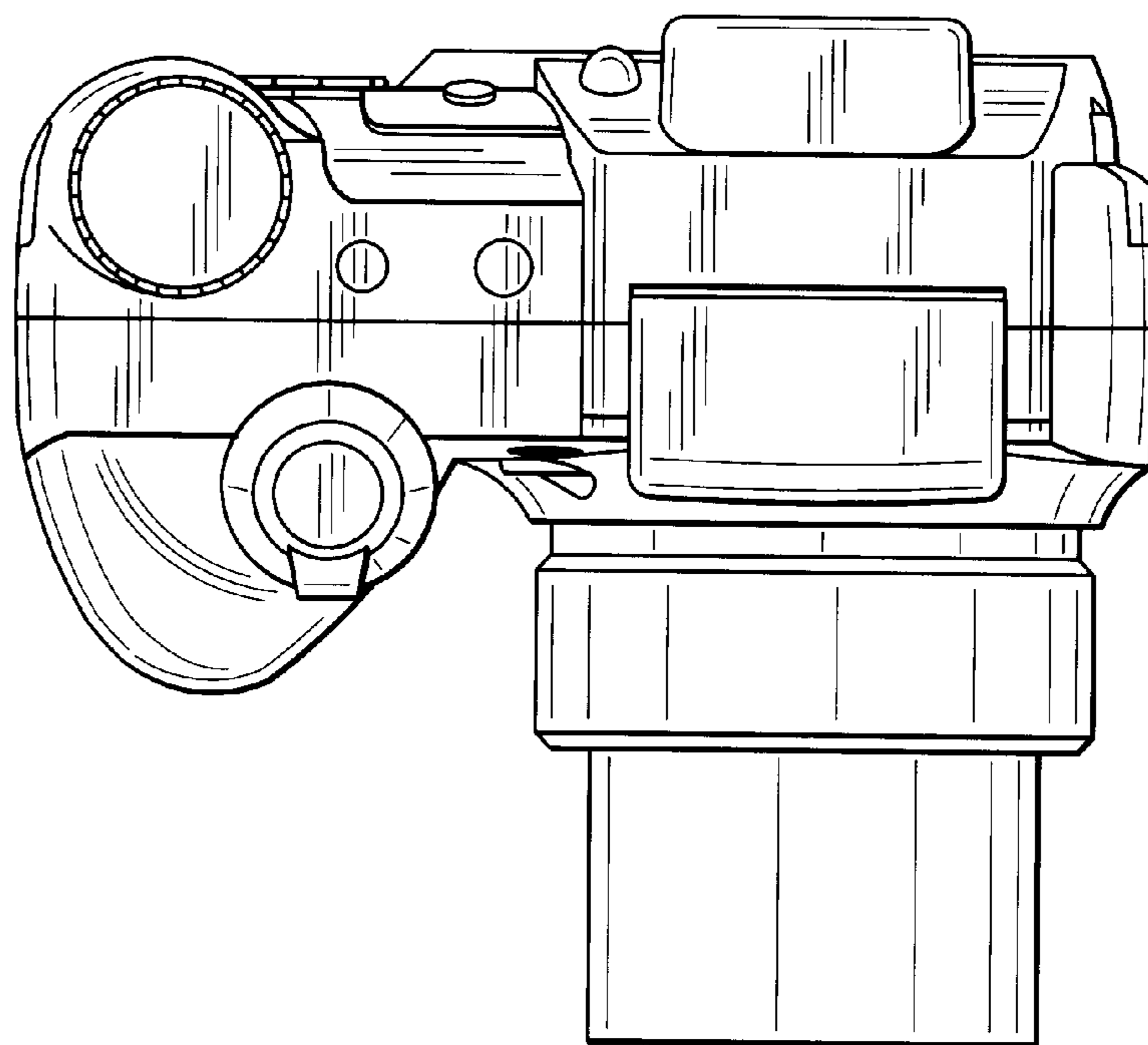


FIG. 10

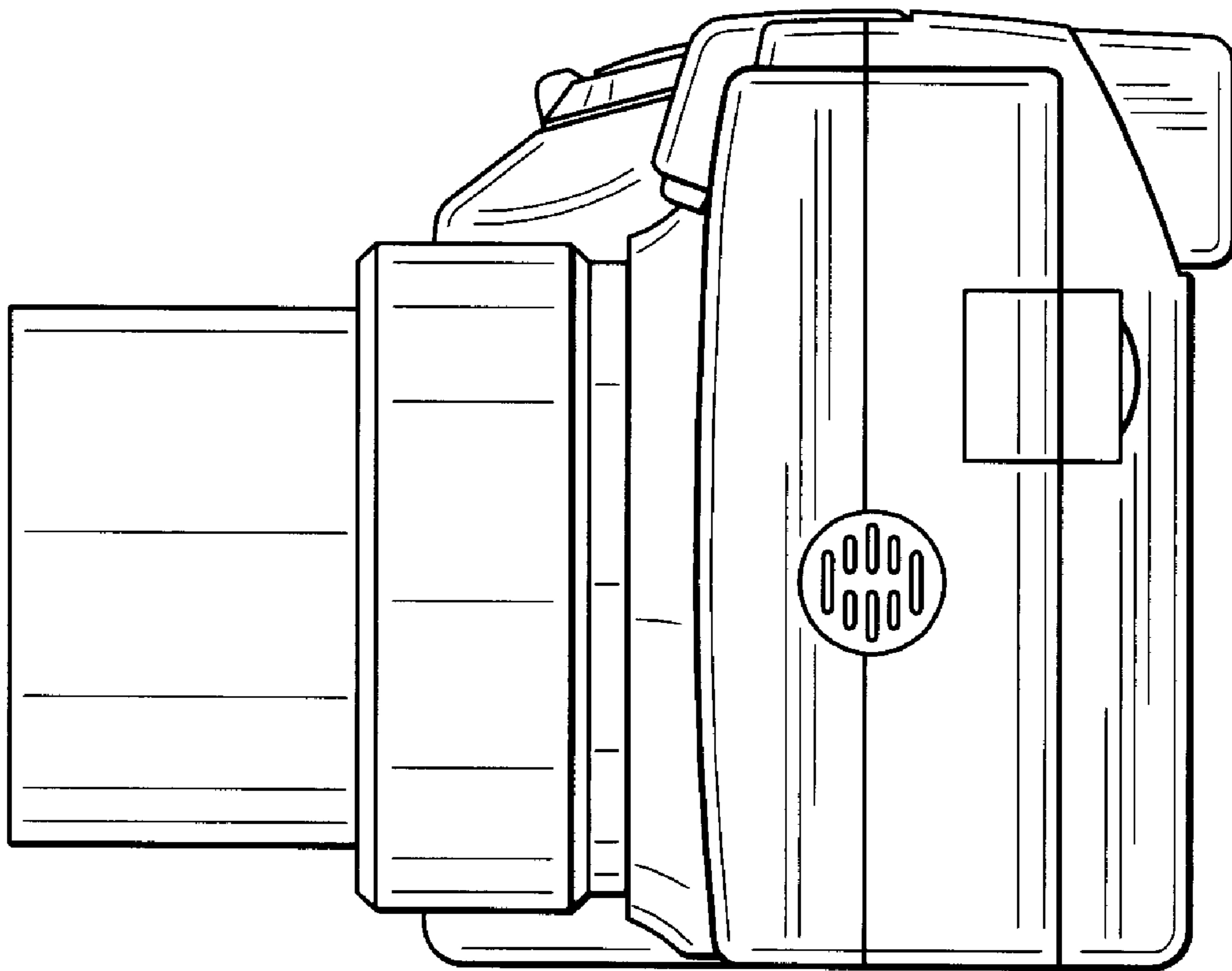


FIG. 11