



US00D538827S

(12) **United States Design Patent**
Uemura

(10) **Patent No.:** **US D538,827 S**

(45) **Date of Patent:** **** Mar. 20, 2007**

(54) **EXCAVATOR**

(75) Inventor: **Masamitsu Uemura**, Chikugo (JP)

(73) Assignee: **Yanmar Co., Ltd.**, Osaka (JP)

(**) Term: **14 Years**

(21) Appl. No.: **29/251,005**

(22) Filed: **Jan. 4, 2006**

(30) **Foreign Application Priority Data**

Jul. 5, 2005 (JP) 2005-019631

(51) **LOC (8) Cl.** **12-09**

(52) **U.S. Cl.** **D15/25**

(58) **Field of Classification Search** D15/10,
D15/22-26, 28, 30; 180/89.1, 89.12, 89.13,
180/900, 9.1, 9.2, 9.62, 14 R; 37/379; 414/694,
414/699, 722-724, 860, 685, 698, 719, 743
See application file for complete search history.

(56) **References Cited**

U.S. PATENT DOCUMENTS

4,552,503 A * 11/1985 Mouri et al. 414/687
D309,313 S * 7/1990 Takashima et al. D15/25
D312,468 S * 11/1990 Masumoto et al. D15/25
D354,497 S * 1/1995 Kusunoki et al. D15/25
D375,103 S * 10/1996 Masumoto et al. D15/25

D383,469 S * 9/1997 Ishizaki et al. D15/25
D387,360 S * 12/1997 Ishizaki et al. D15/25
5,711,095 A * 1/1998 Oda et al. 37/410
D440,235 S * 4/2001 Kuwae et al. D15/25
D473,571 S * 4/2003 Kuwae et al. D15/25
6,615,942 B2 * 9/2003 Shinohara et al. 180/69.21
2004/0084934 A1 * 5/2004 Yokoo et al. 296/190.01

* cited by examiner

Primary Examiner—Stella Reid

Assistant Examiner—Mark Goodwin

(74) *Attorney, Agent, or Firm*—Sterne, Kessler, Goldstein
& Fox P.L.L.C.

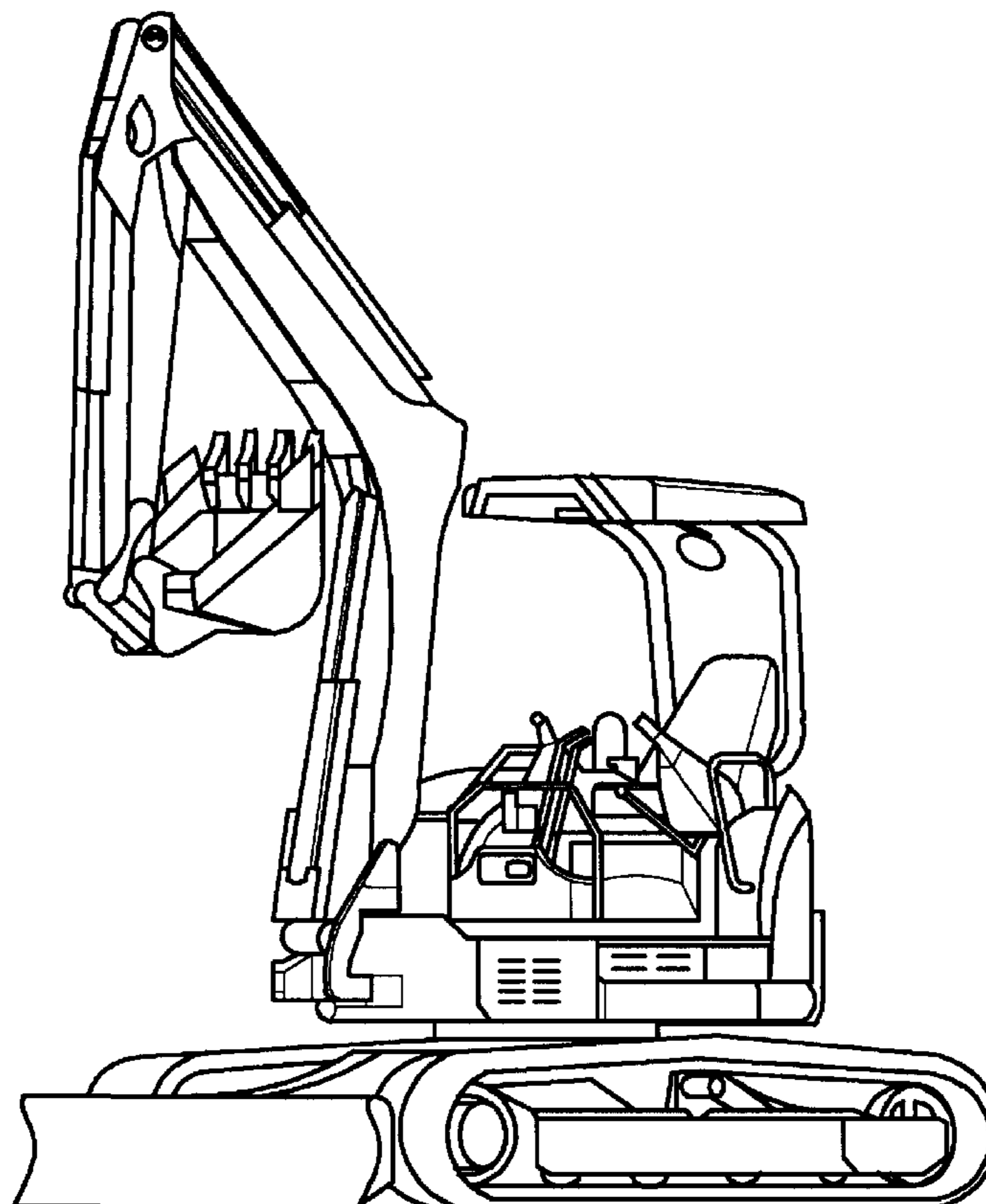
(57) **CLAIM**

The ornamental design for an excavator, as shown and described.

DESCRIPTION

FIG. 1 is a right side perspective view of an excavator showing my new design;
FIG. 2 is a front view thereof;
FIG. 3 is a rear view thereof;
FIG. 4 is a right side view thereof;
FIG. 5 is a left side view thereof;
FIG. 6 is a top plan view thereof; and,
FIG. 7 is a bottom view thereof.

1 Claim, 7 Drawing Sheets



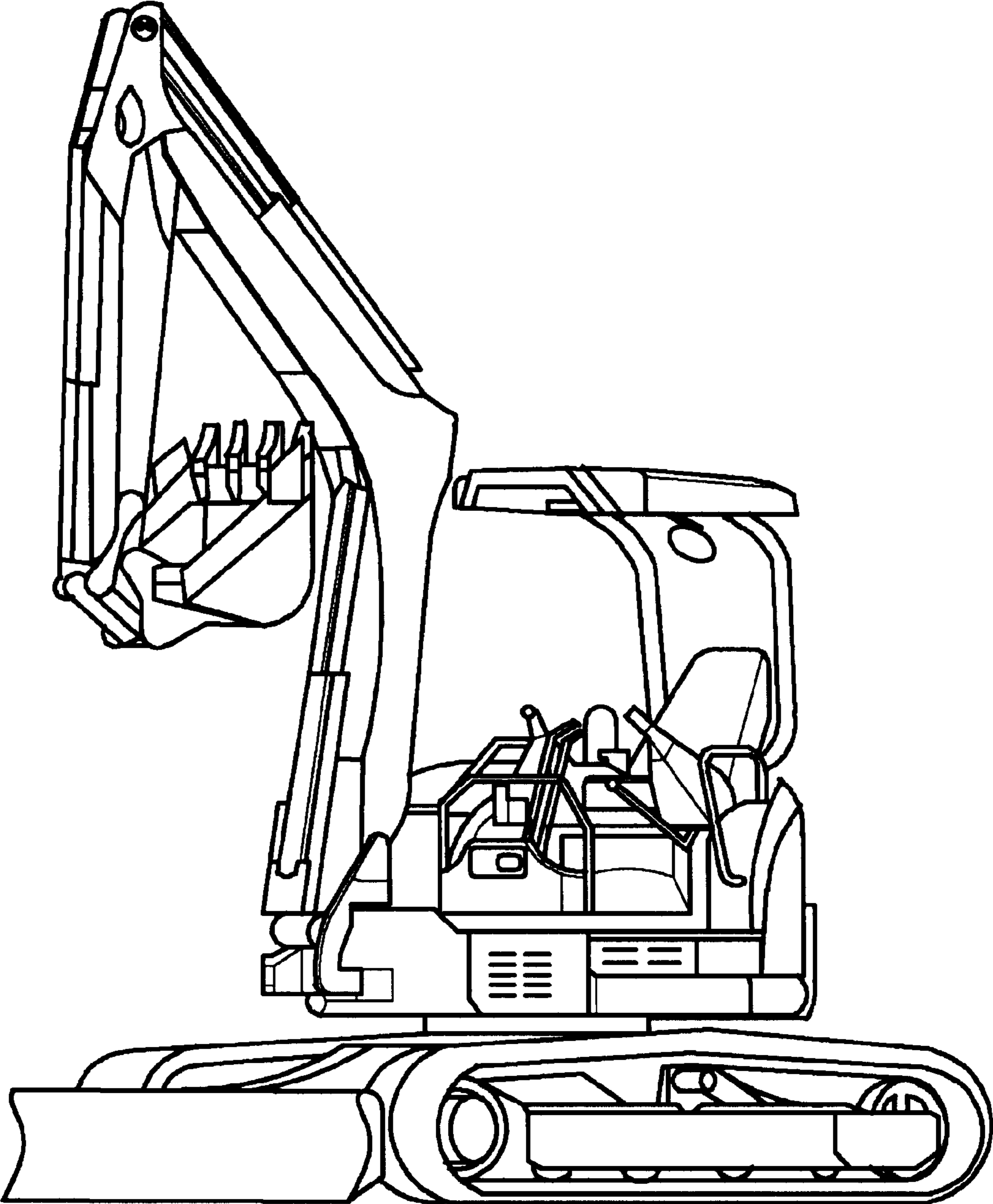


FIG. 1

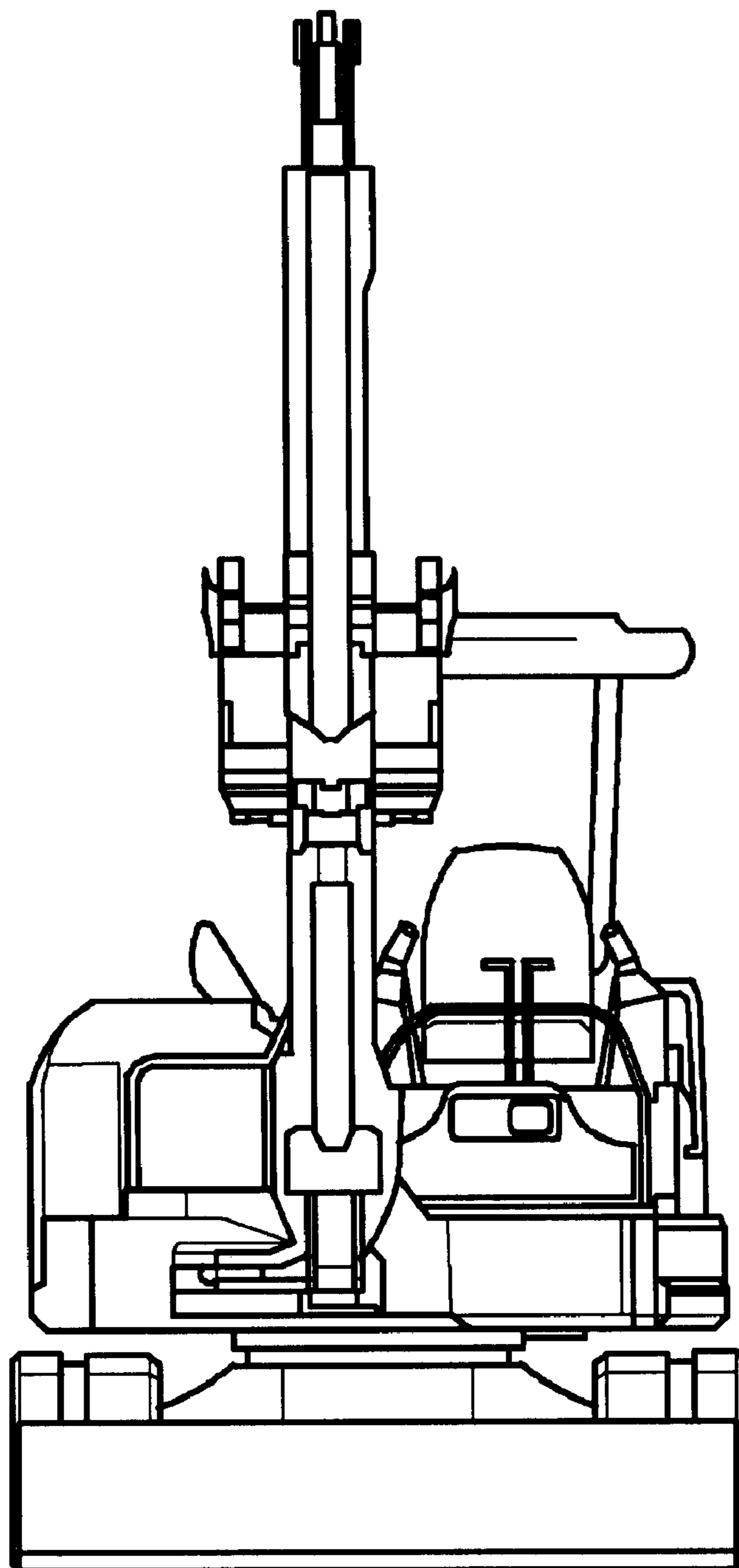


FIG. 2

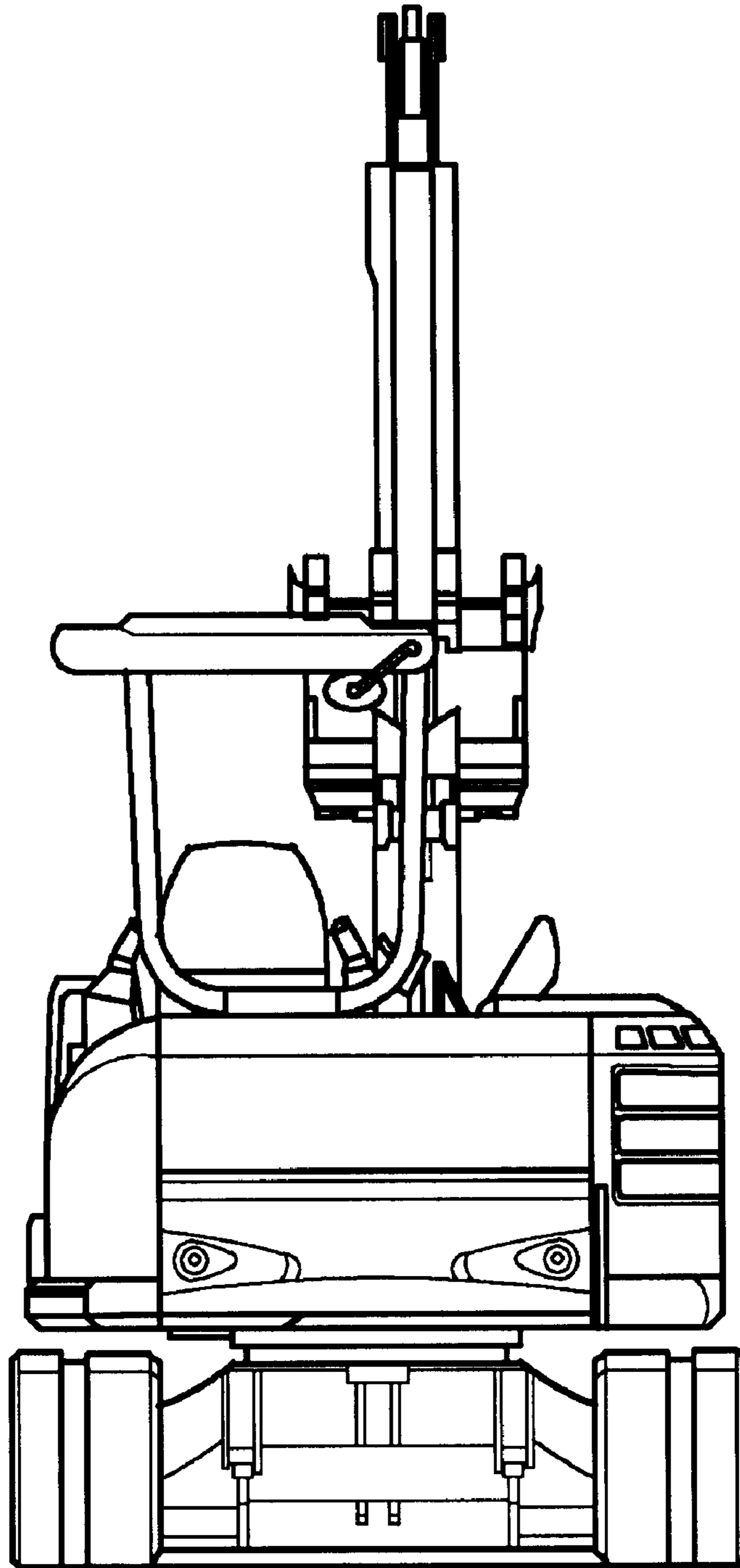


FIG. 3

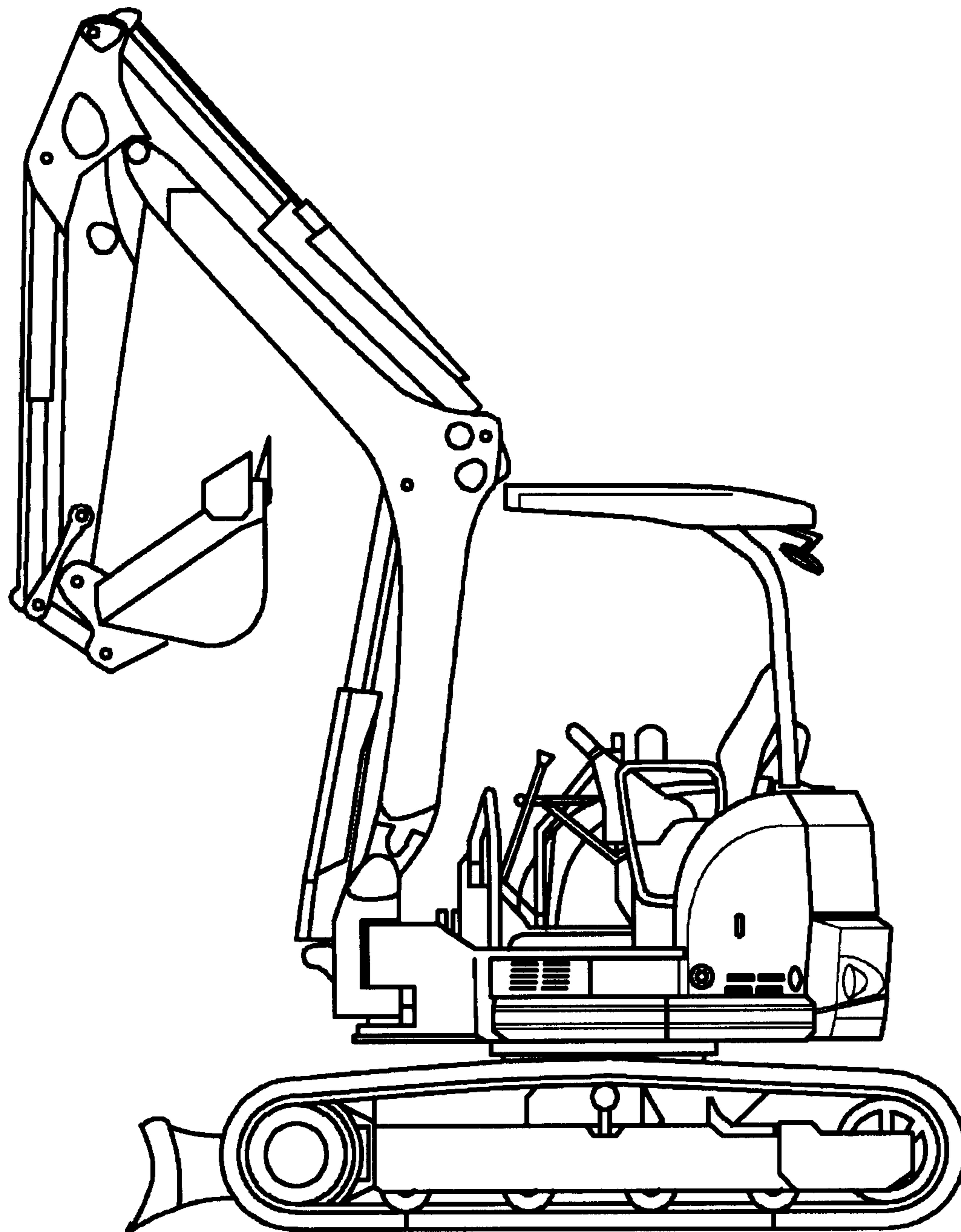


FIG. 4

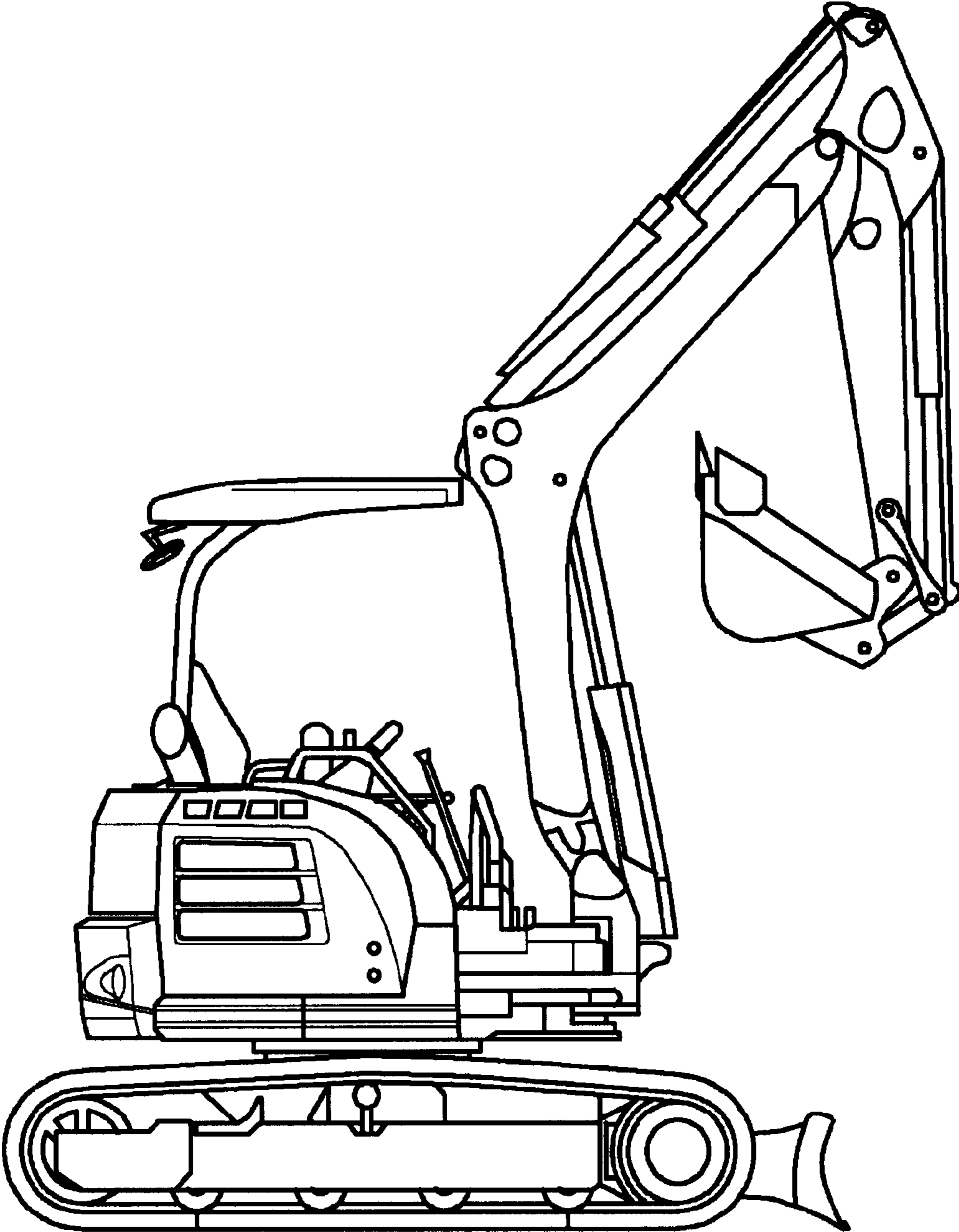


FIG. 5

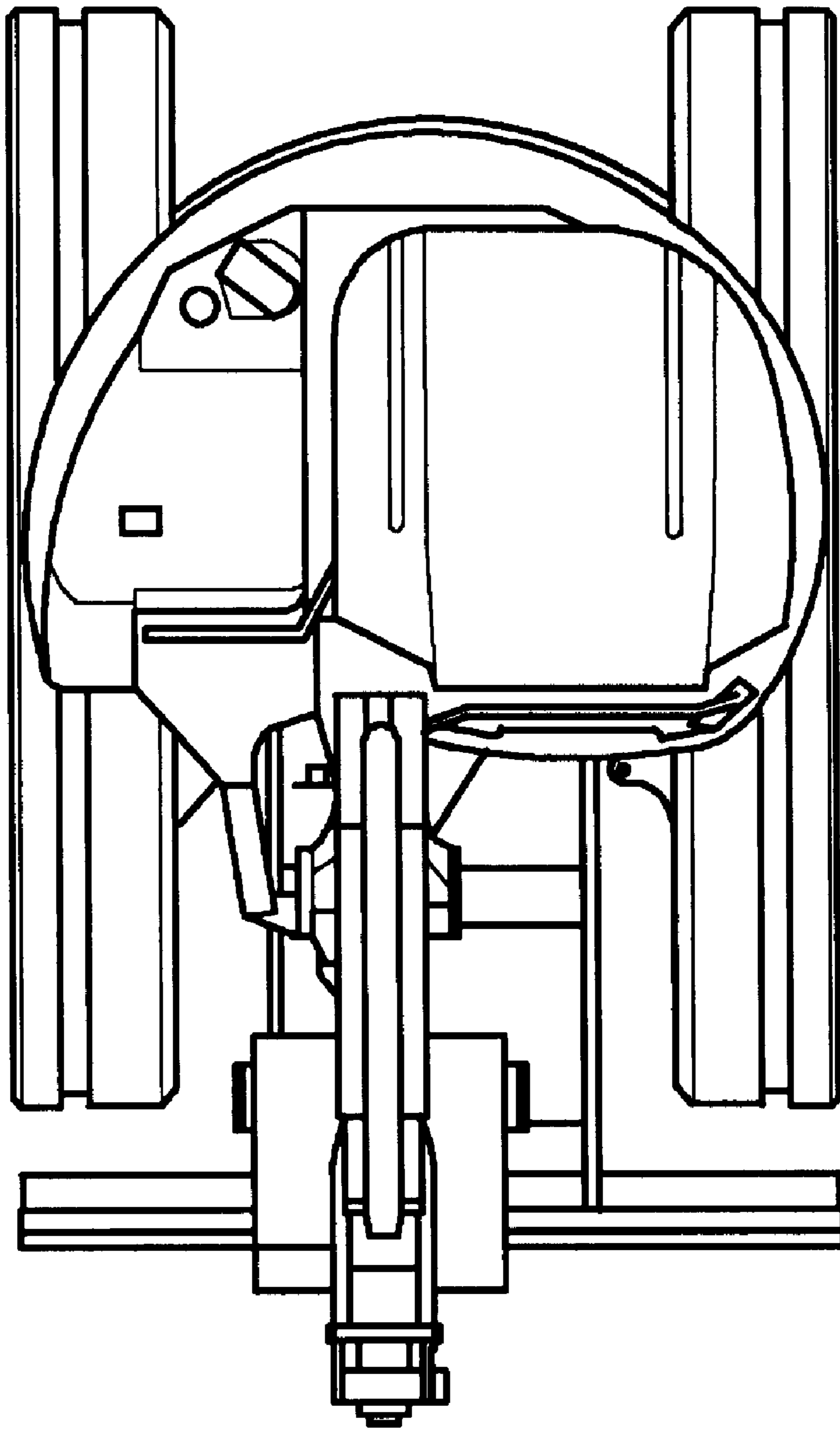


FIG. 6

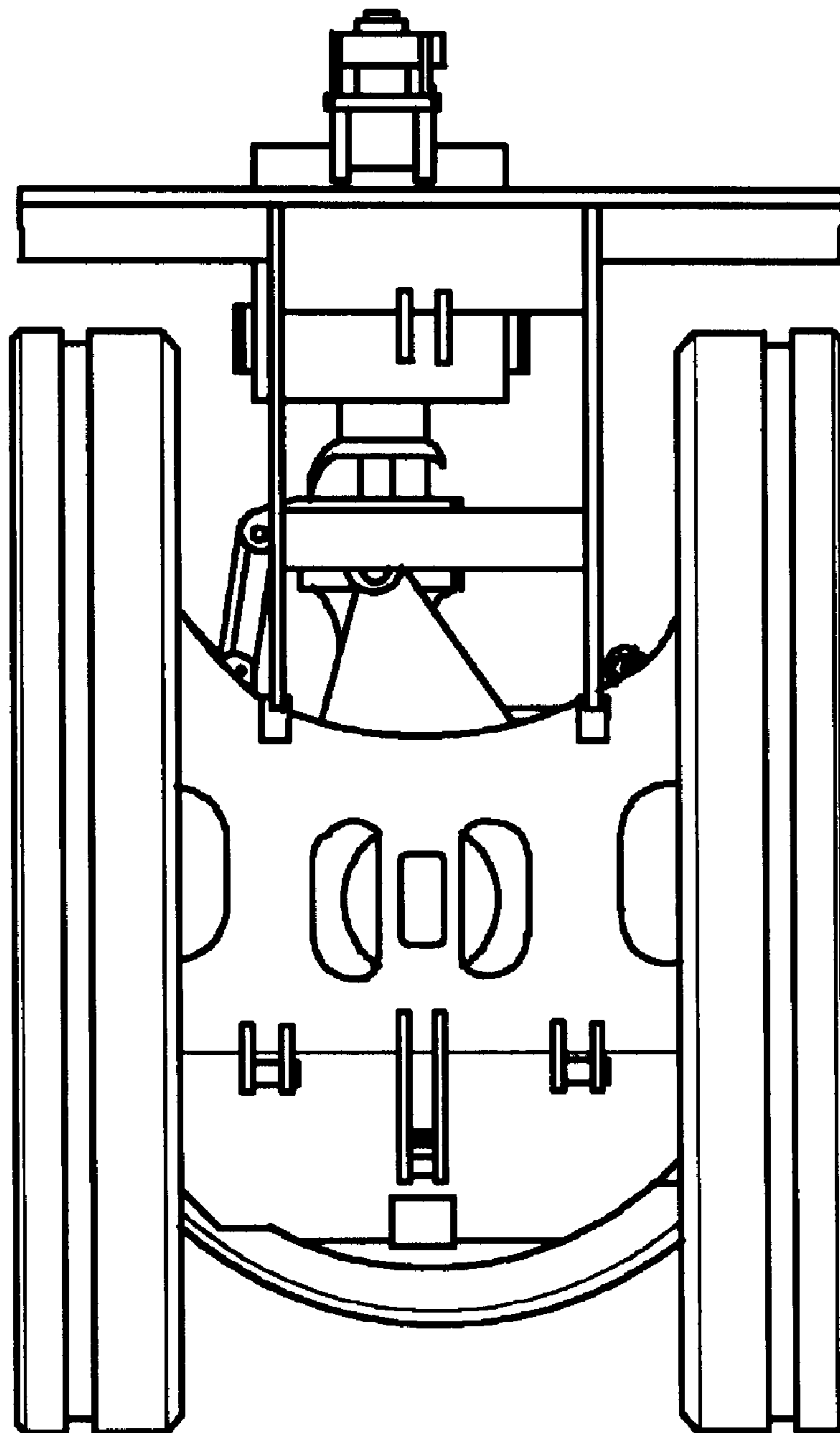


FIG. 7