



US00D538825S

(12) **United States Design Patent**
Chen Han

(10) **Patent No.:** **US D538,825 S**

(45) **Date of Patent:** **** Mar. 20, 2007**

(54) **AIR COMPRESSOR**

D499,117 S * 11/2004 Leasure et al. D15/9
D522,534 S * 6/2006 Kawasaki D15/7

(75) Inventor: **Chun-Chu Chen Han**, Tu-Cheng (TW)

* cited by examiner

(73) Assignee: **Apex Medical Corp.**, Tu-Cheng (TW)

Primary Examiner—Ralf Seifert

(**) Term: **14 Years**

(74) *Attorney, Agent, or Firm*—Alan D. Kamrath; Nikolai & Mersereau, P.A.

(21) Appl. No.: **29/247,481**

(57) **CLAIM**

(22) Filed: **Jun. 21, 2006**

The ornamental design for air compressor, as shown and described.

(51) **LOC (8) Cl.** **05-02**

(52) **U.S. Cl.** **D15/9**

(58) **Field of Classification Search** D15/7-9;
D23/232, 231; 417/359, 415-416, 410.1,
417/321, 265, 405

DESCRIPTION

See application file for complete search history.

FIG. 1 is the perspective view of a air compressor showing my new design;

FIG. 2 is the front elevational view thereof;

FIG. 3 is the rear elevational view thereof;

FIG. 4 is the left side elevational view thereof;

FIG. 5 is the right side elevational view thereof;

FIG. 6 is the top plan view thereof;

FIG. 7 is the bottom plan view thereof; and,

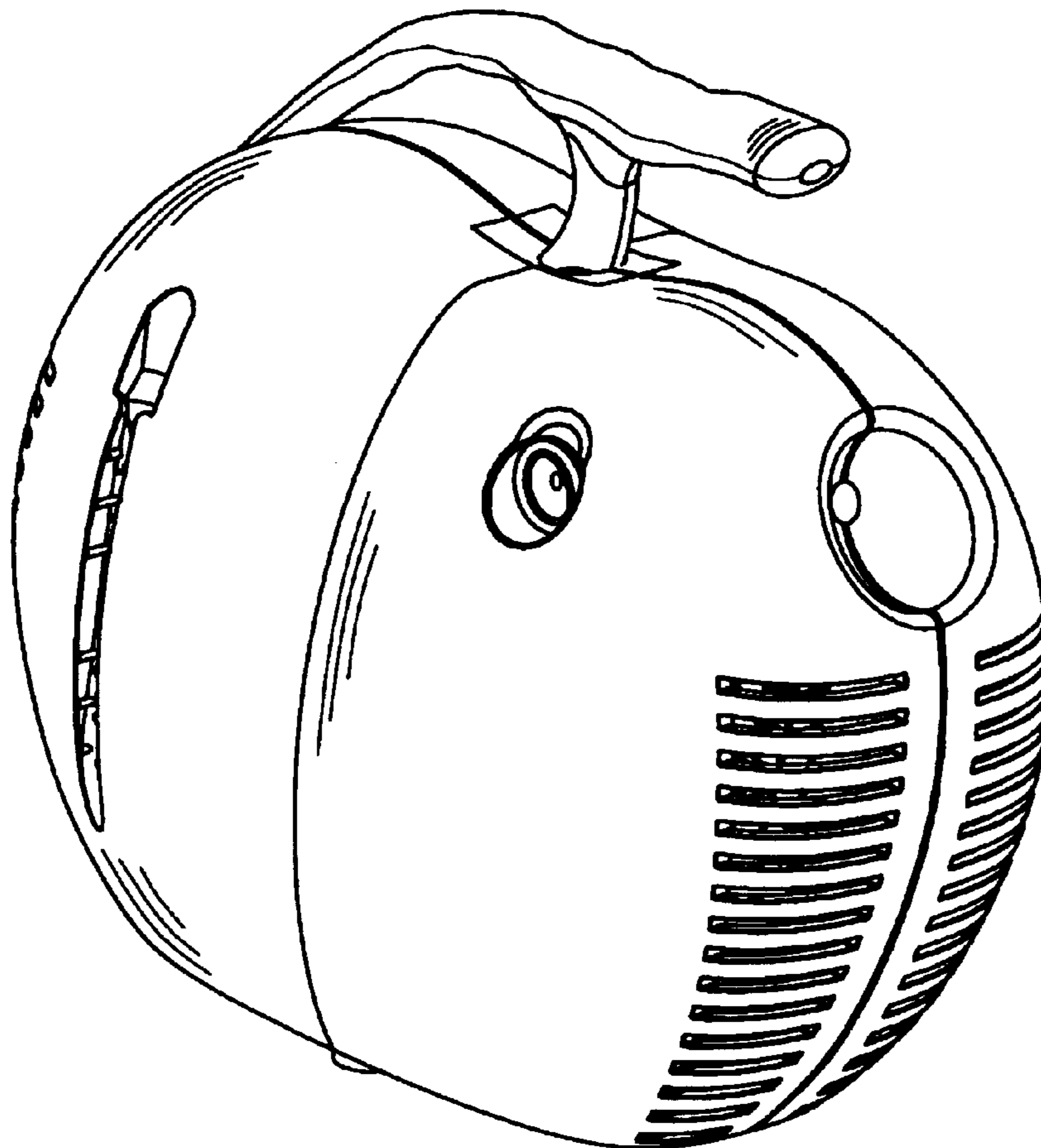
FIG. 8 is a perspective view showing the air compressor in a position of use.

(56) **References Cited**

U.S. PATENT DOCUMENTS

- D366,488 S * 1/1996 Alfano et al. D15/9
- D465,791 S * 11/2002 Moan D15/7
- D468,752 S * 1/2003 Hopper D15/9
- D484,147 S * 12/2003 Tai D15/9
- D485,281 S * 1/2004 Hsiao D15/9
- D498,768 S * 11/2004 Romandy et al. D15/9

1 Claim, 8 Drawing Sheets



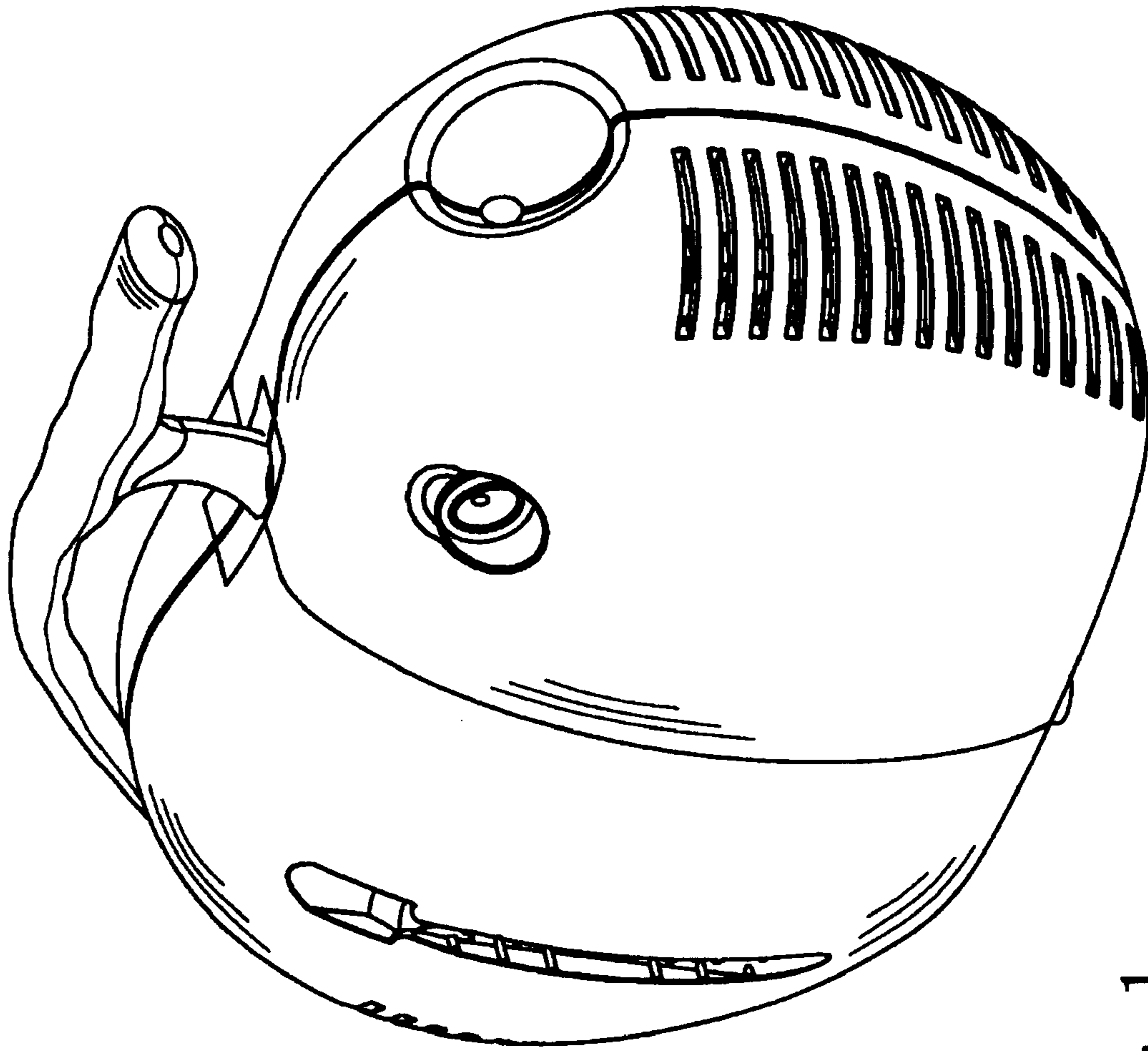


Fig. 1

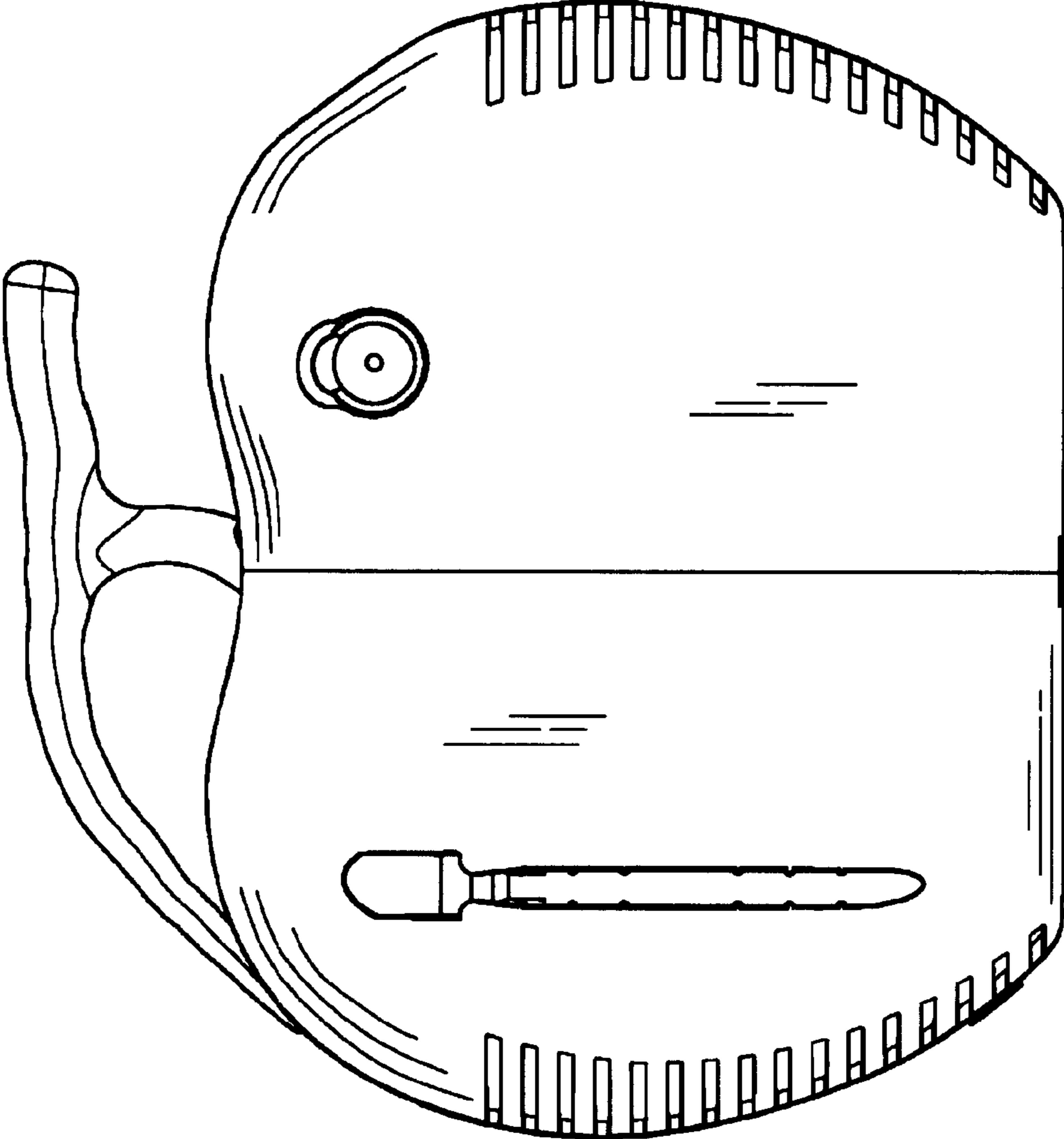


Fig. 2

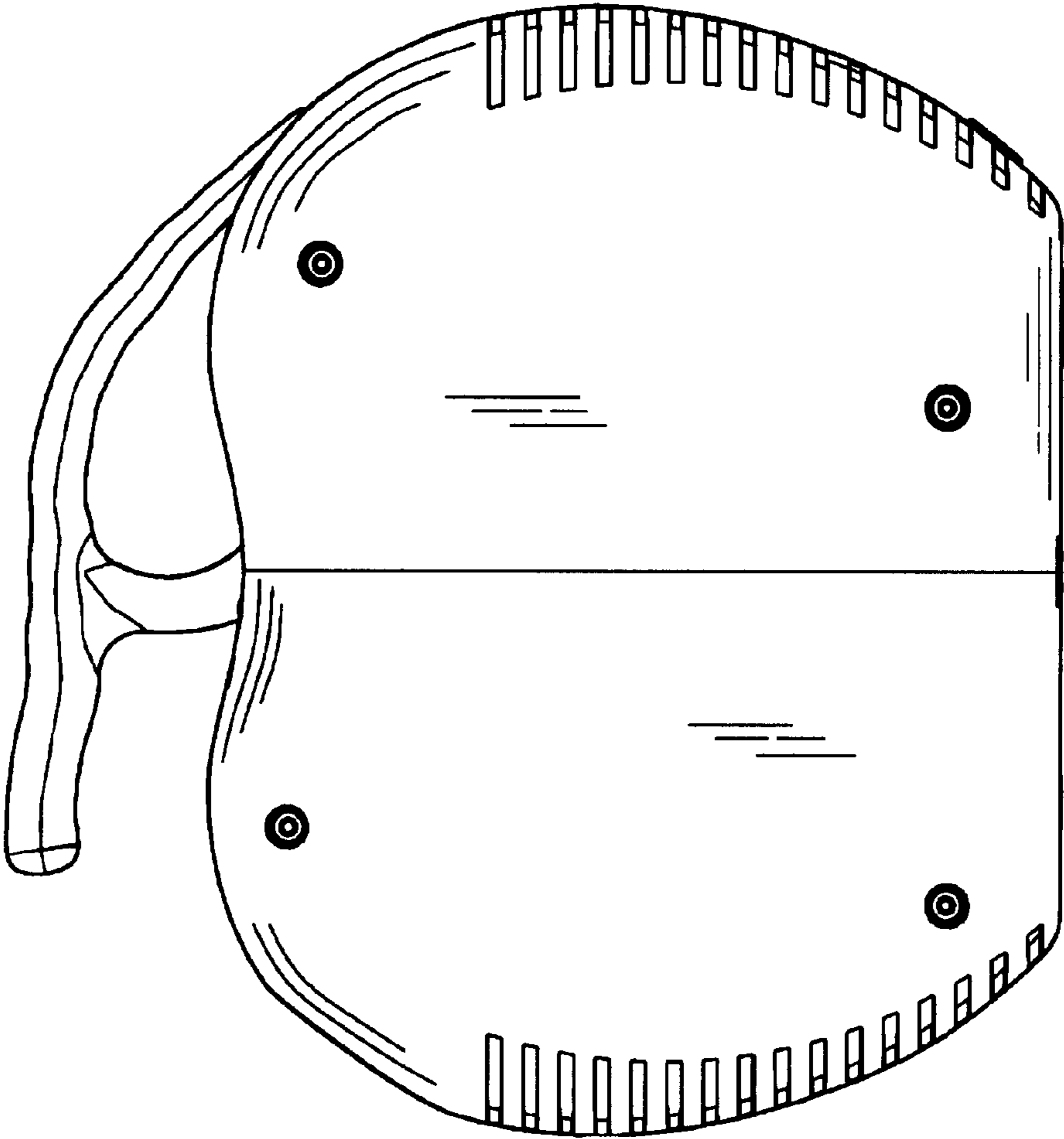


Fig. 3

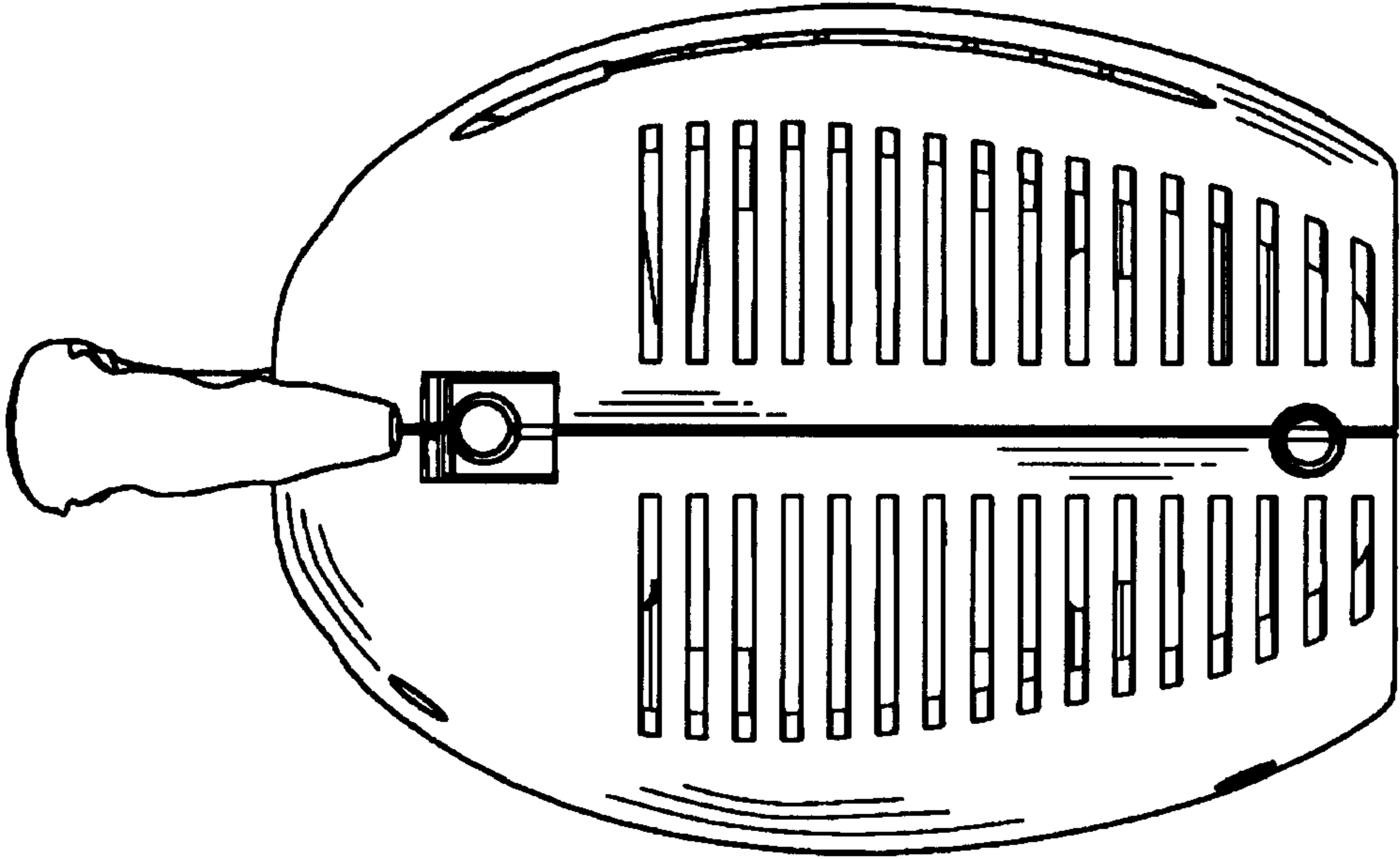


Fig. 4

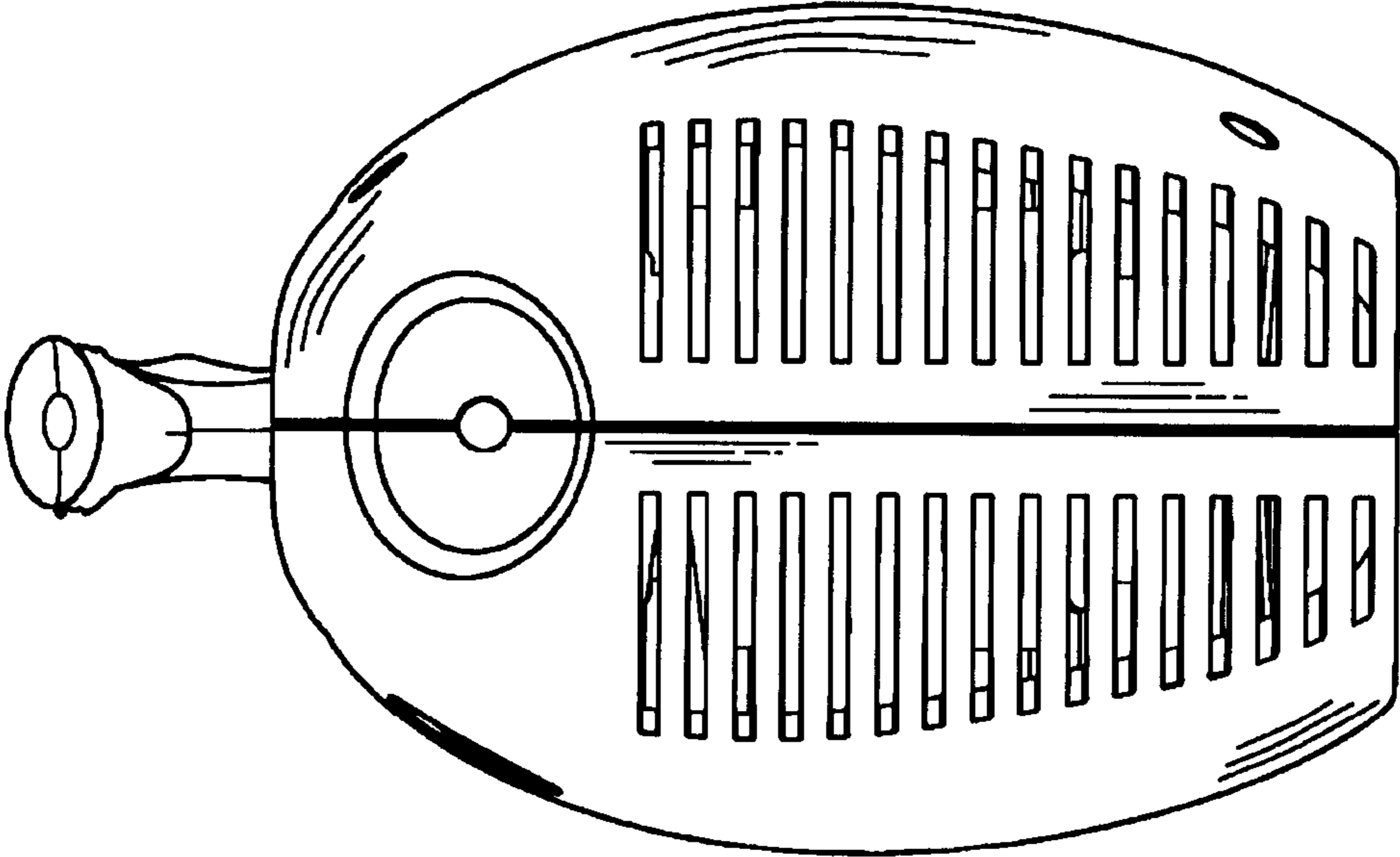


Fig. 5

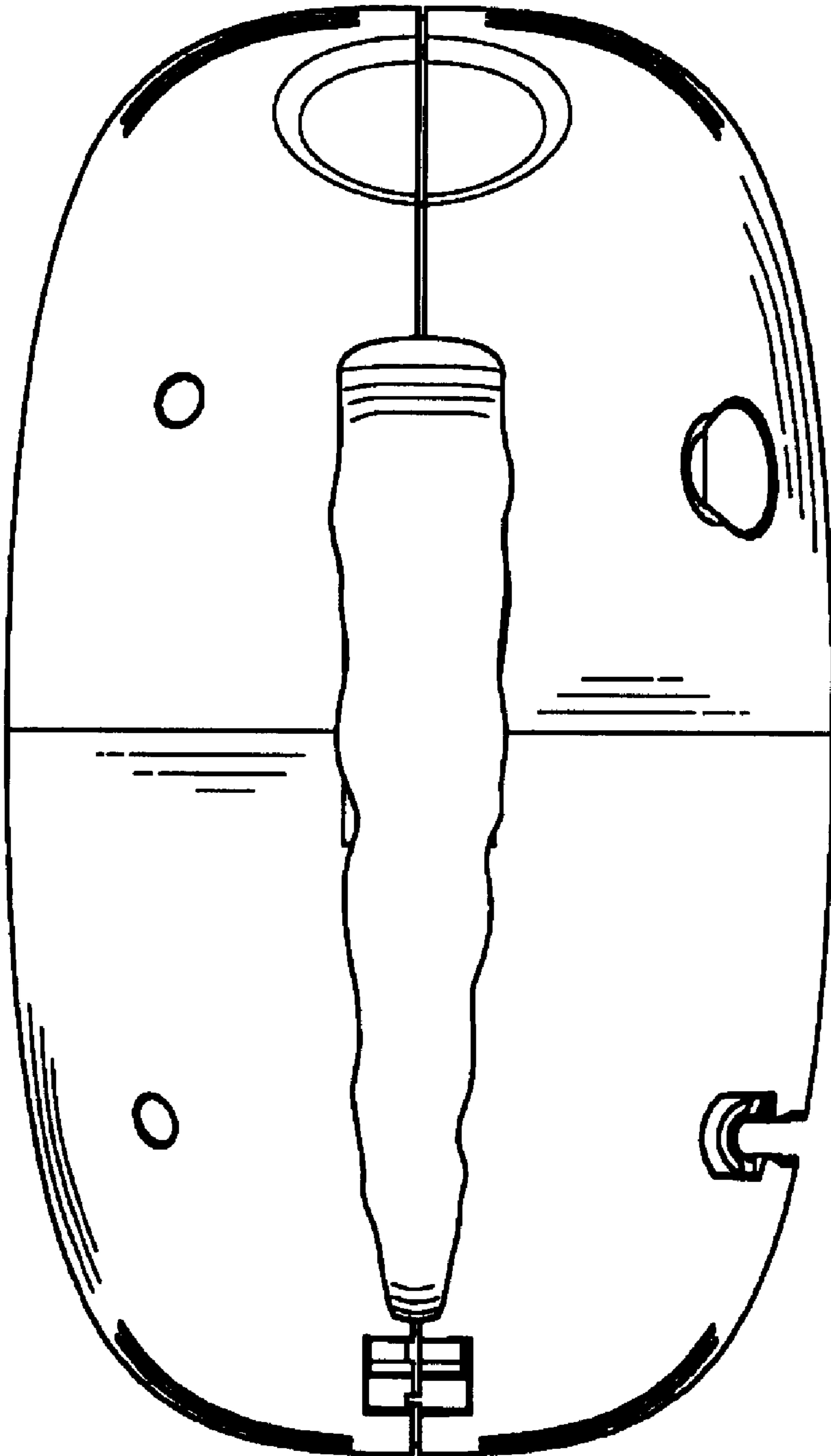


Fig. 6

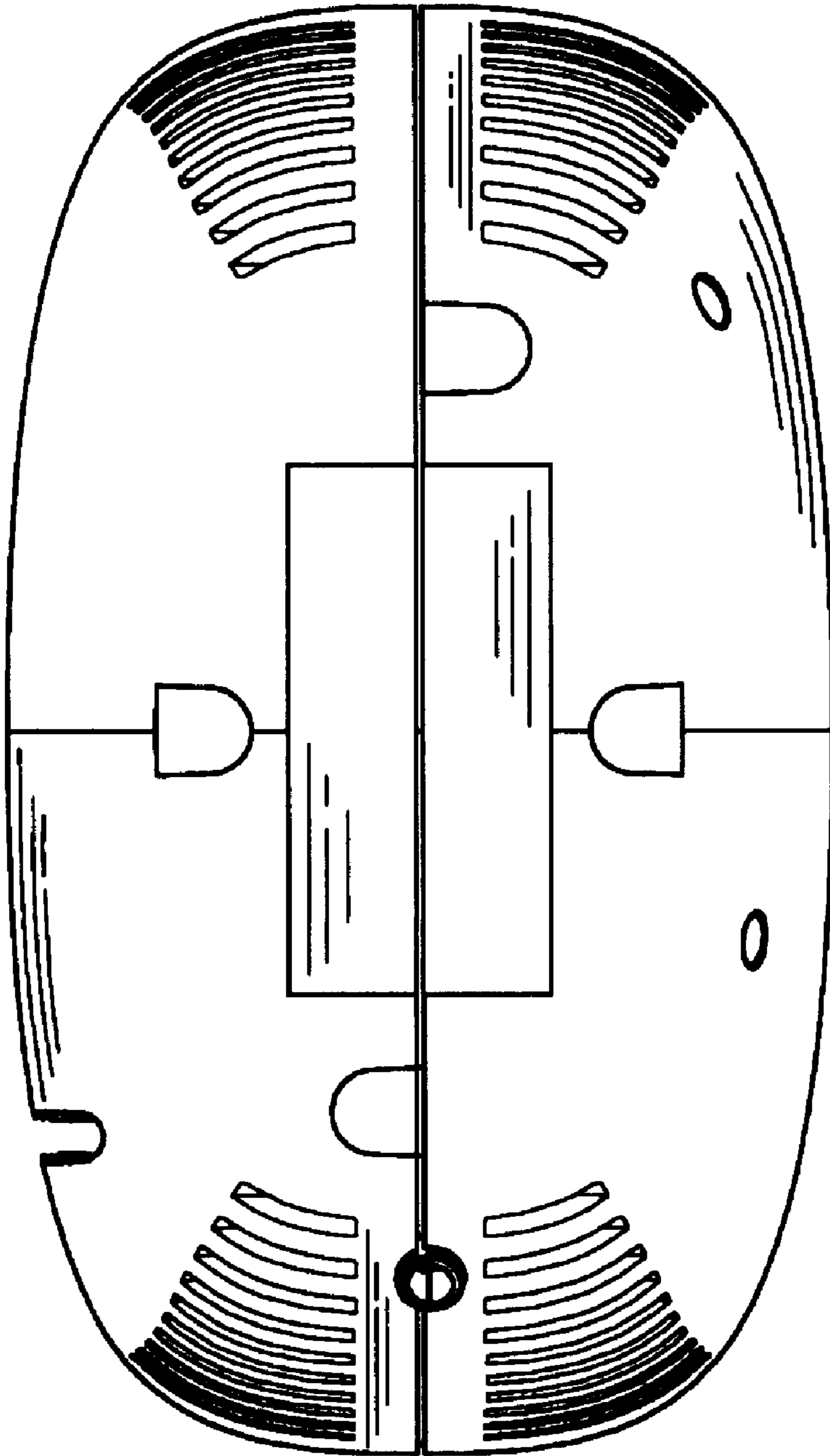


Fig. 7

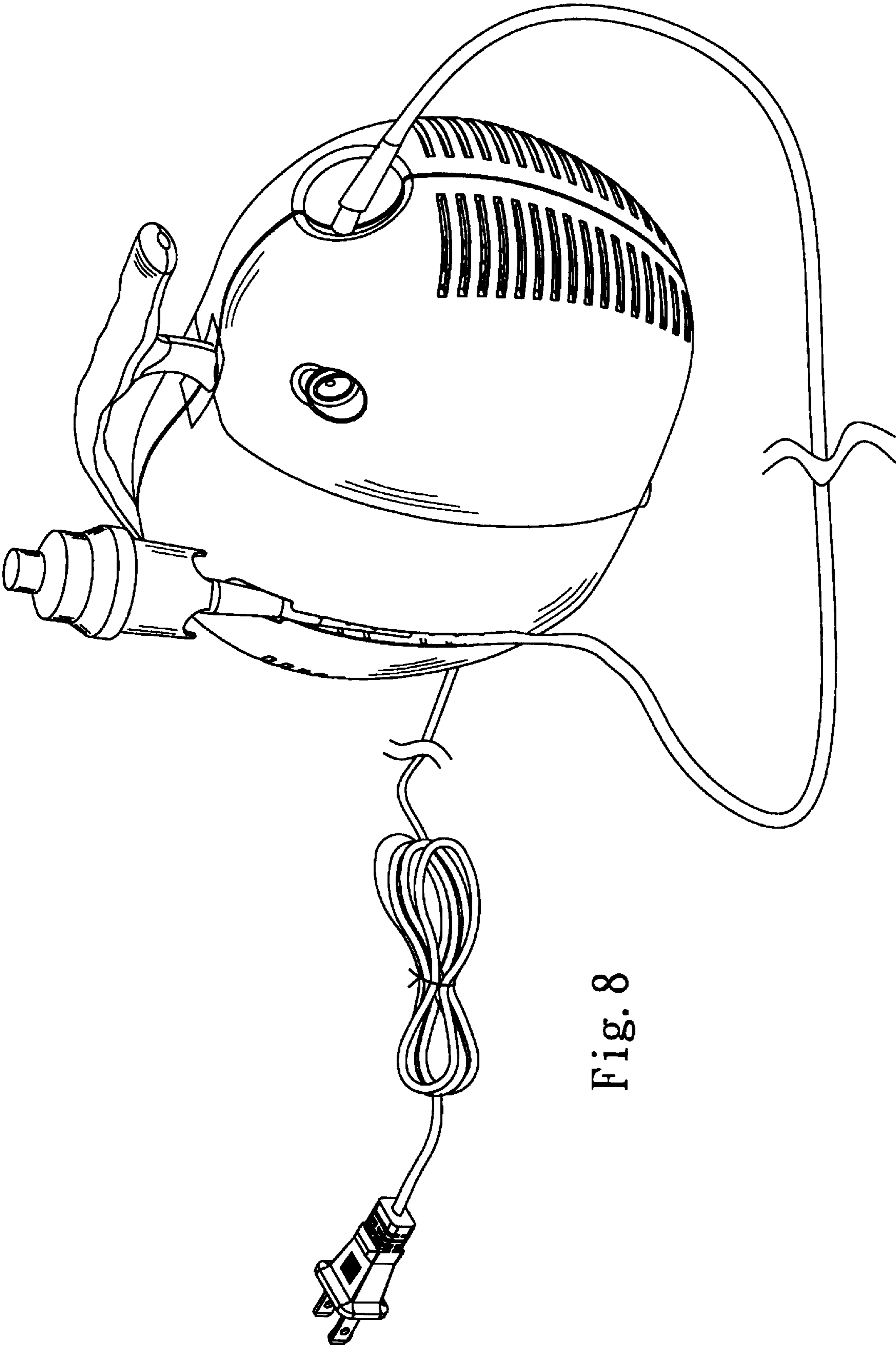


Fig. 8