



US00D538824S

(12) **United States Design Patent**
Tojo

(10) **Patent No.:** **US D538,824 S**

(45) **Date of Patent:** **** Mar. 20, 2007**

(54) **RECIPROCATING PUMP**

JP D1180303 7/2003

(75) Inventor: **Nobuo Tojo**, Togane (JP)

* cited by examiner

(73) Assignee: **Maruyama Mfg. Co., Inc.**, Tokyo (JP)

Primary Examiner—Ralf Seifert

(74) *Attorney, Agent, or Firm*—Leydig, Voit & Mayer, Ltd.

(**) Term: **14 Years**

(57) **CLAIM**

(21) Appl. No.: **29/259,726**

The ornamental design for a reciprocating pump, as shown and described.

(22) Filed: **May 16, 2006**

(30) **Foreign Application Priority Data**

Nov. 30, 2005 (JP) 2005-035319

(51) **LOC (8) Cl.** **15-02**

(52) **U.S. Cl.** **D15/7**

(58) **Field of Classification Search** D15/7-9;
D23/232, 231; 417/359, 415-416, 410.1,
417/321, 265, 405

See application file for complete search history.

DESCRIPTION

FIG. 1 is a front view of a reciprocating pump of the present invention.

FIG. 2 is a rear view of the reciprocating pump of FIG. 1.

FIG. 3 is a top plan view of the reciprocating pump of FIG. 1.

FIG. 4 is a bottom view of the reciprocating pump of FIG. 1.

FIG. 5 is a right side view of the reciprocating pump of FIG. 1.

FIG. 6 is a left side view of the reciprocating pump of FIG. 1.

FIG. 7 is a perspective view showing the top of the reciprocating pump of FIG. 1.

FIG. 8 is a rear perspective view showing the bottom of the reciprocating pump of FIG. 1; and,

FIG. 9 is a reference perspective view showing the top and the transparent part of the reciprocating pump of FIG. 1.

(56) **References Cited**

U.S. PATENT DOCUMENTS

D354,495 S	*	1/1995	Tojo	D15/7
D495,342 S	*	8/2004	Tojo et al.	D15/7
D496,670 S	*	9/2004	Ohnishi	D15/7
D498,482 S	*	11/2004	Hsiao	D15/9
D502,709 S	*	3/2005	Hsiao	D15/9

FOREIGN PATENT DOCUMENTS

JP D1180014 7/2003

1 Claim, 9 Drawing Sheets

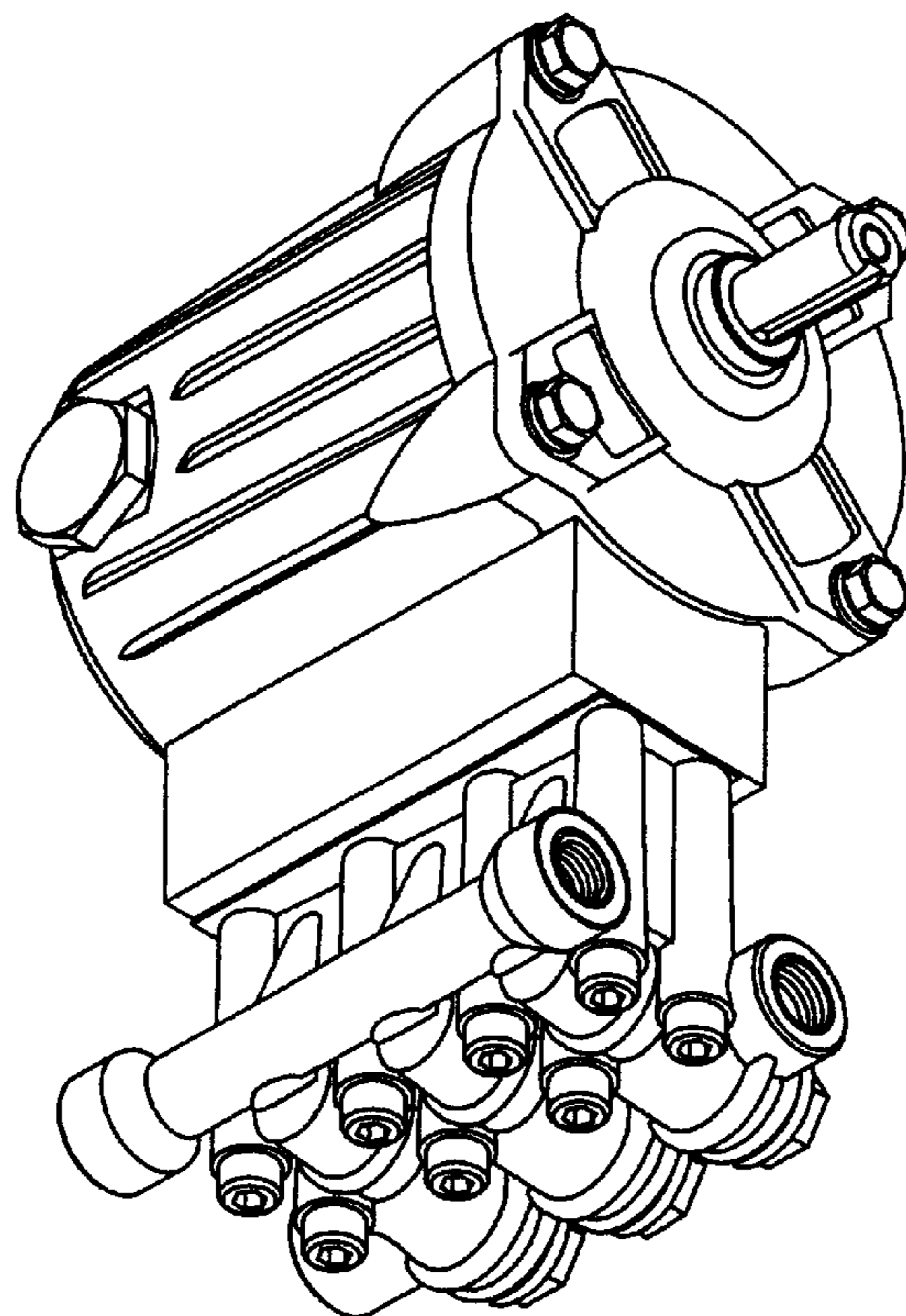


FIG. 1

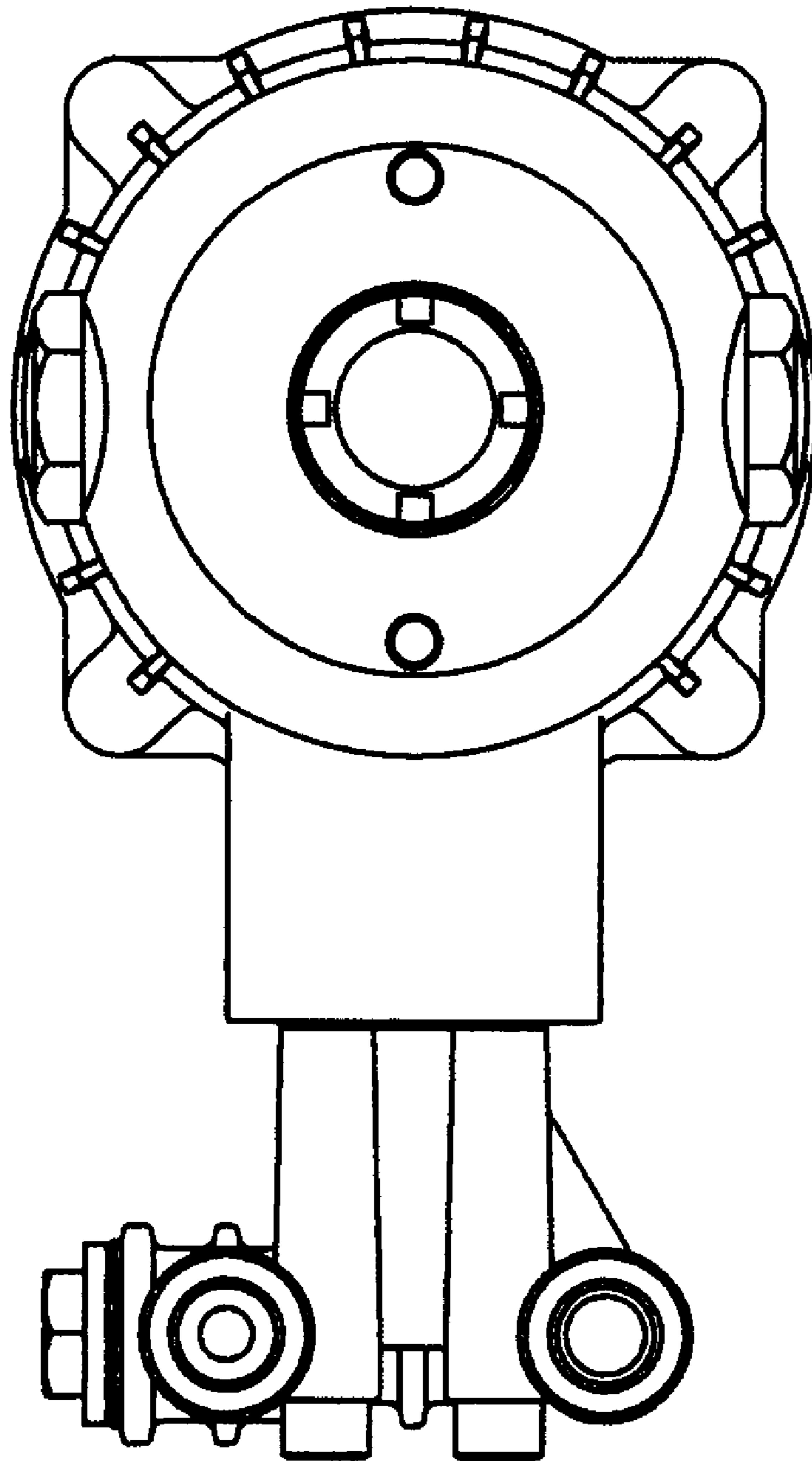


FIG. 2

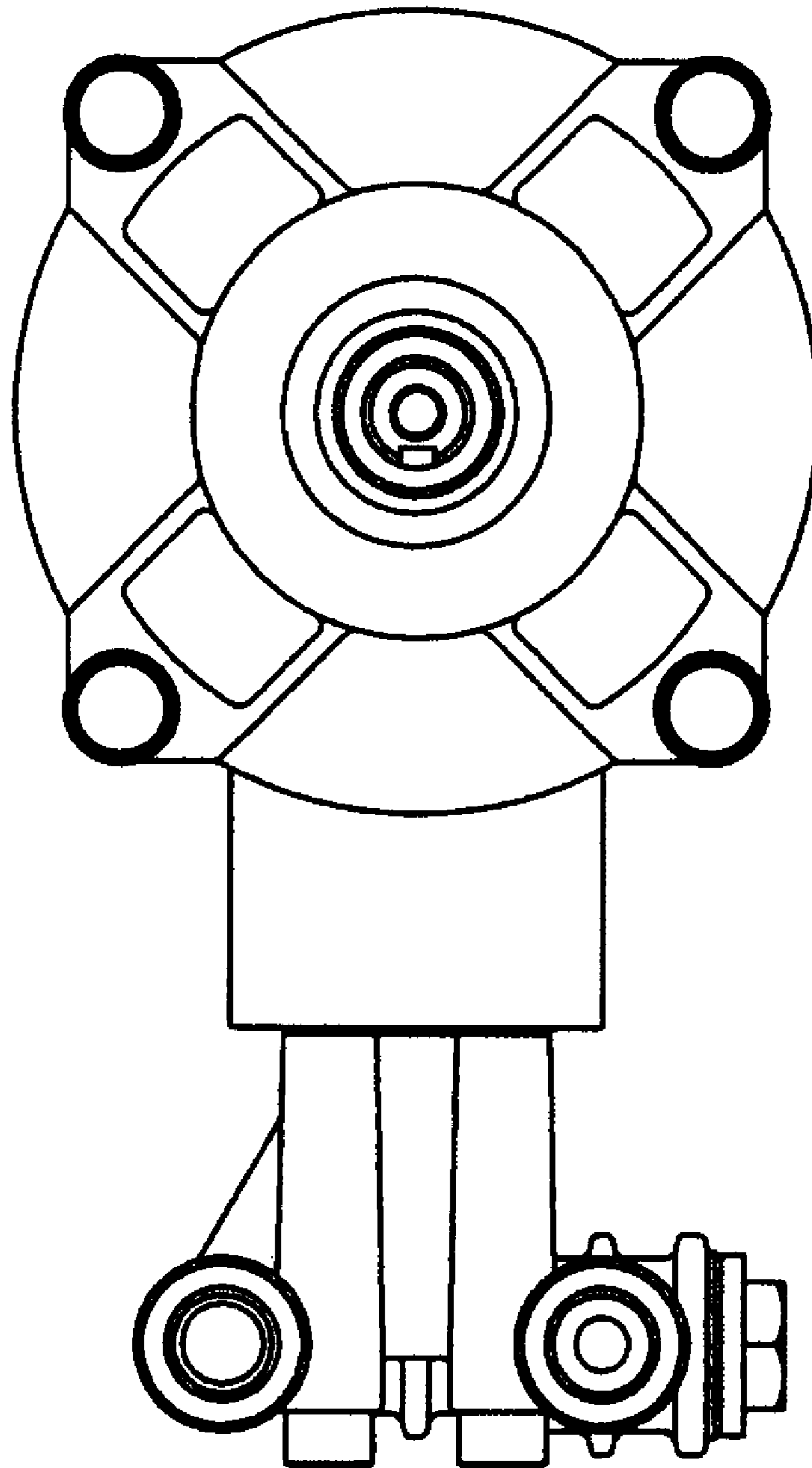


FIG. 3

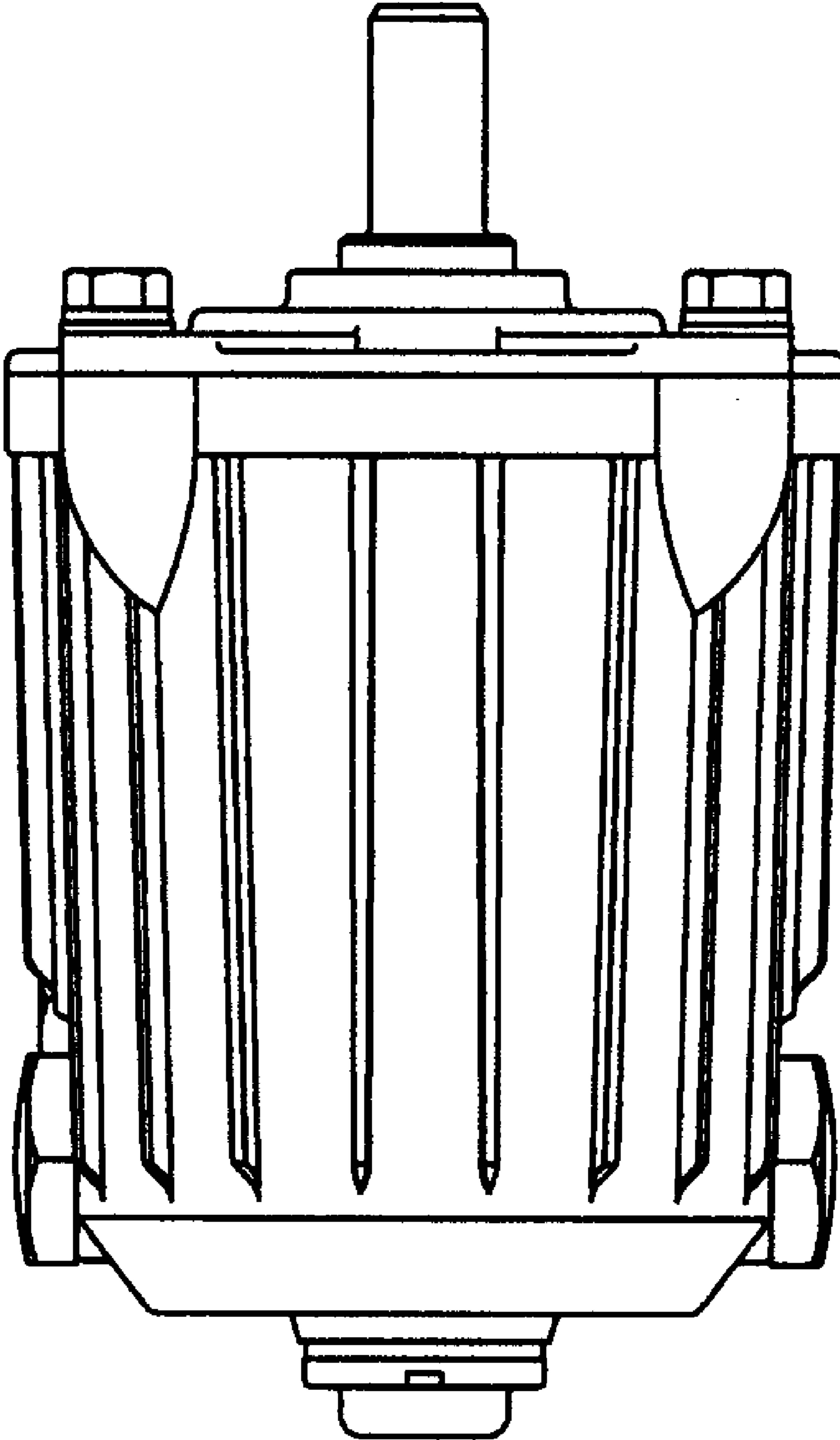


FIG. 4

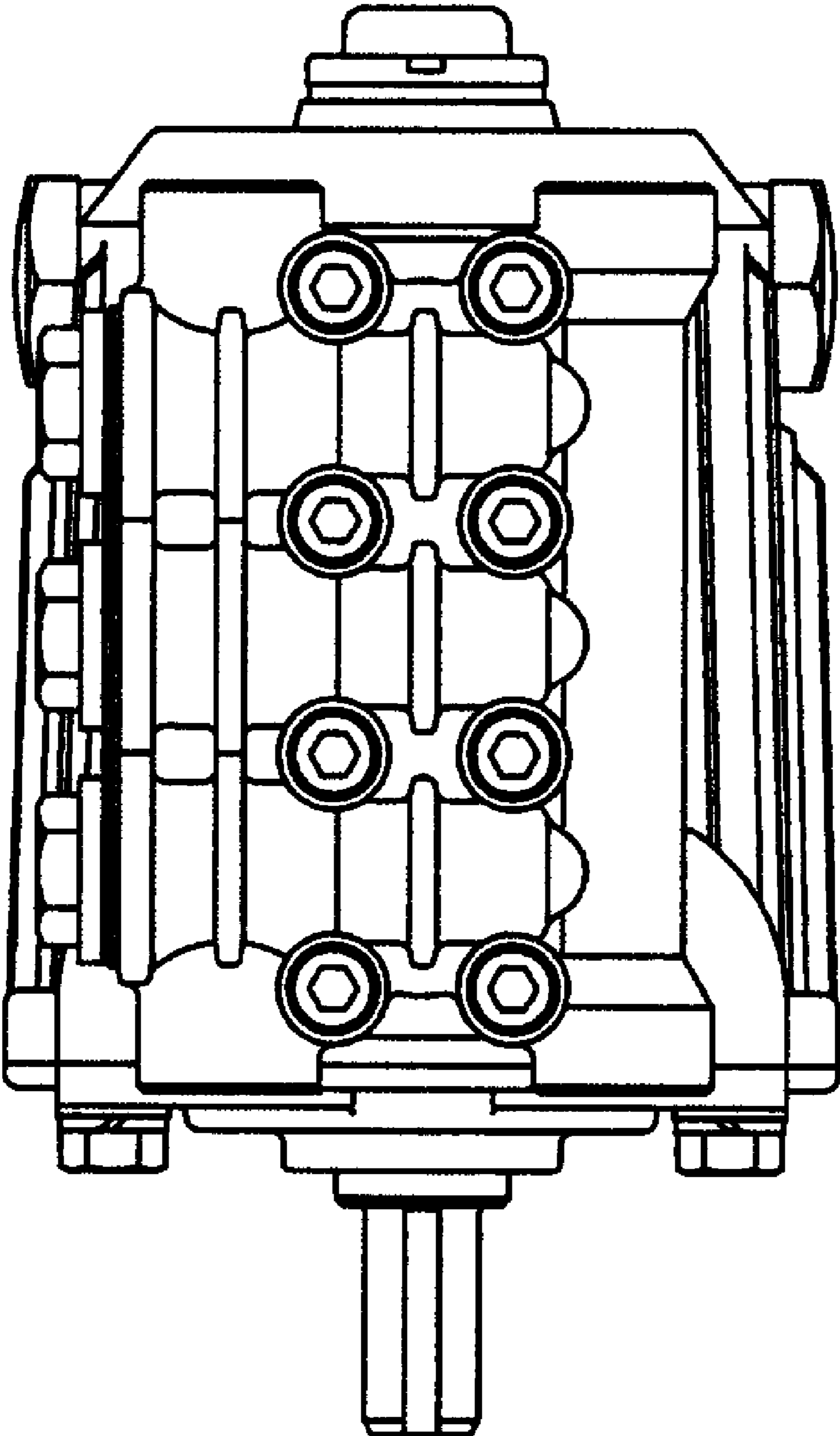


FIG. 5

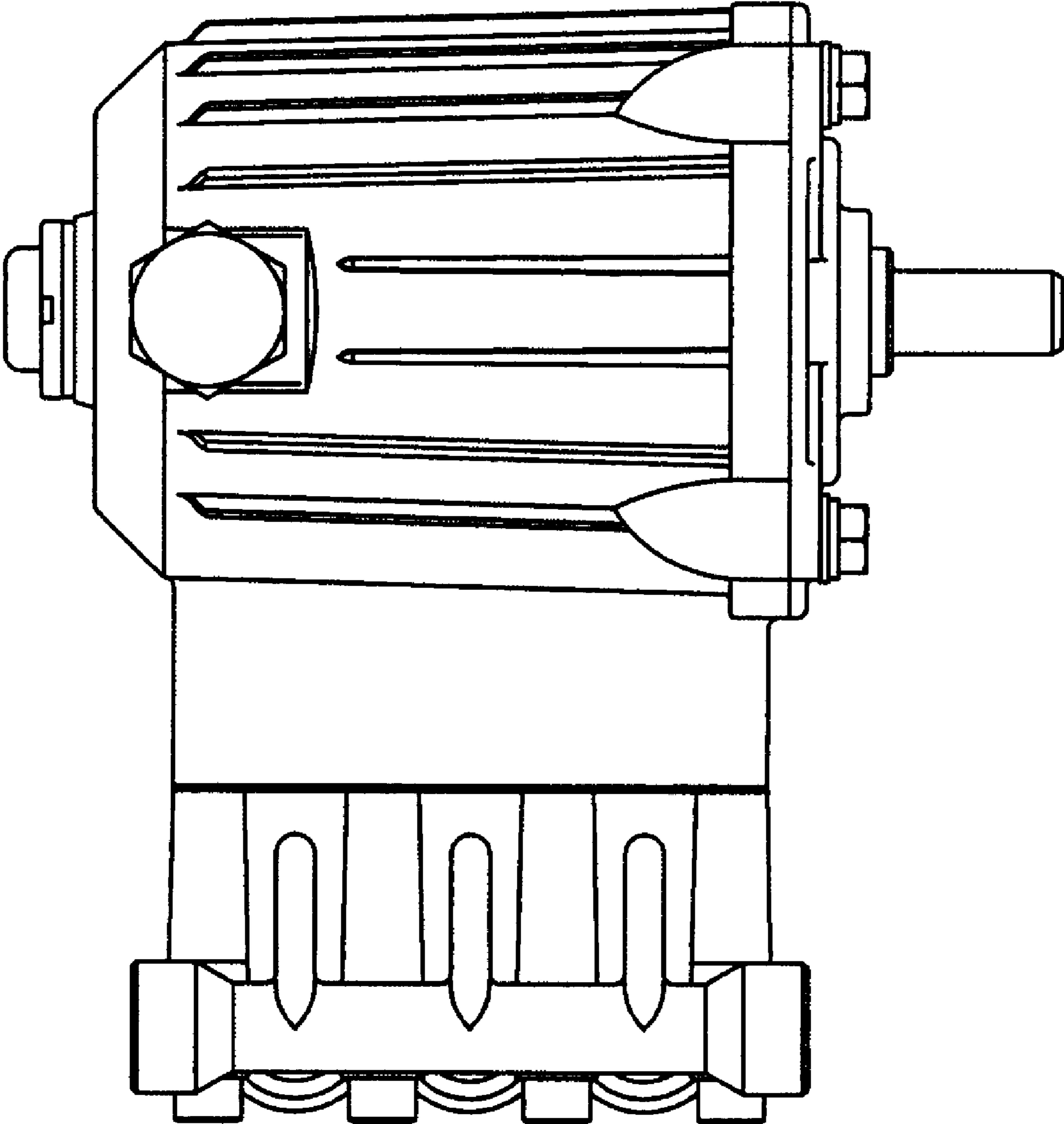


FIG. 6

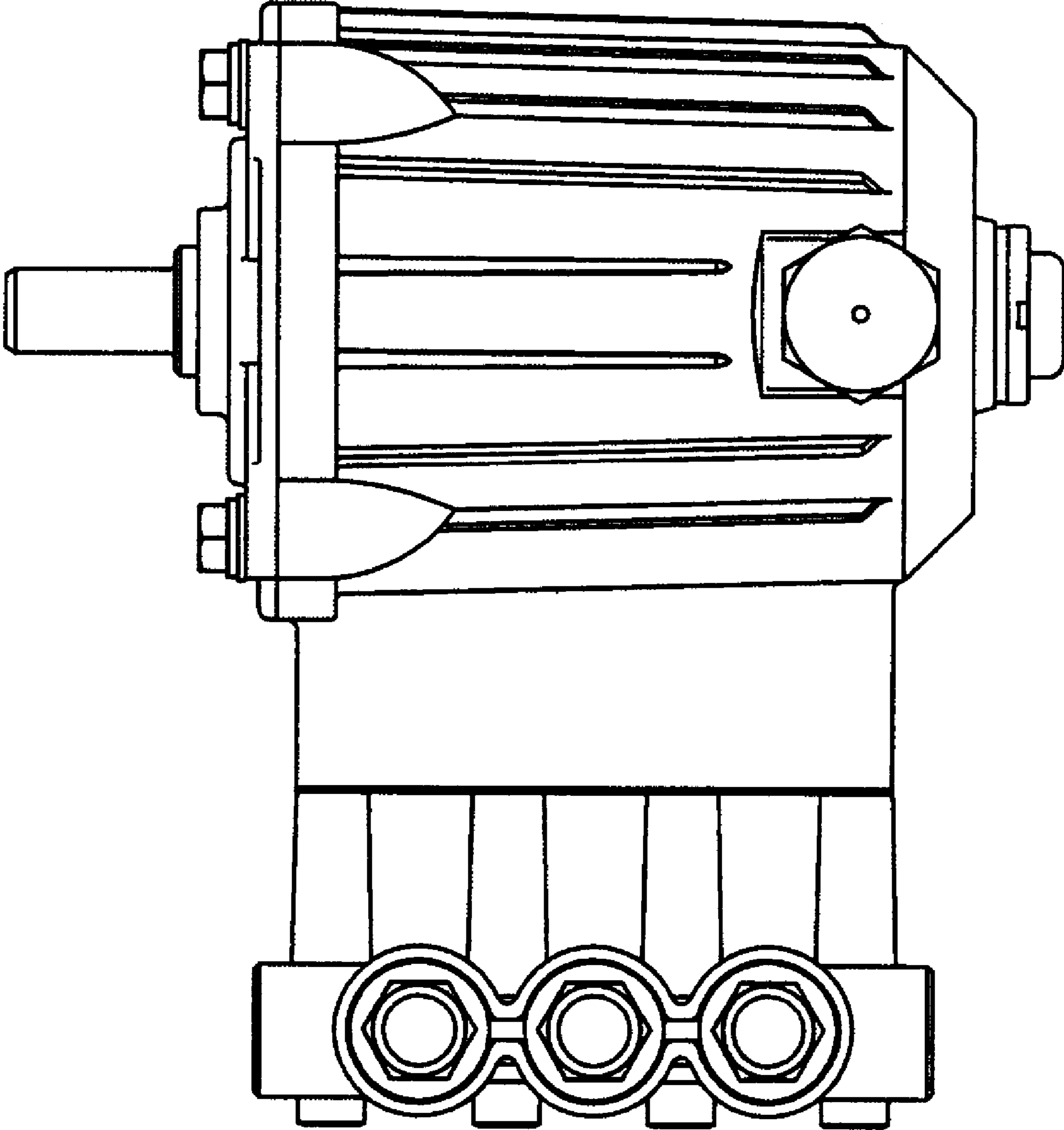


FIG. 7

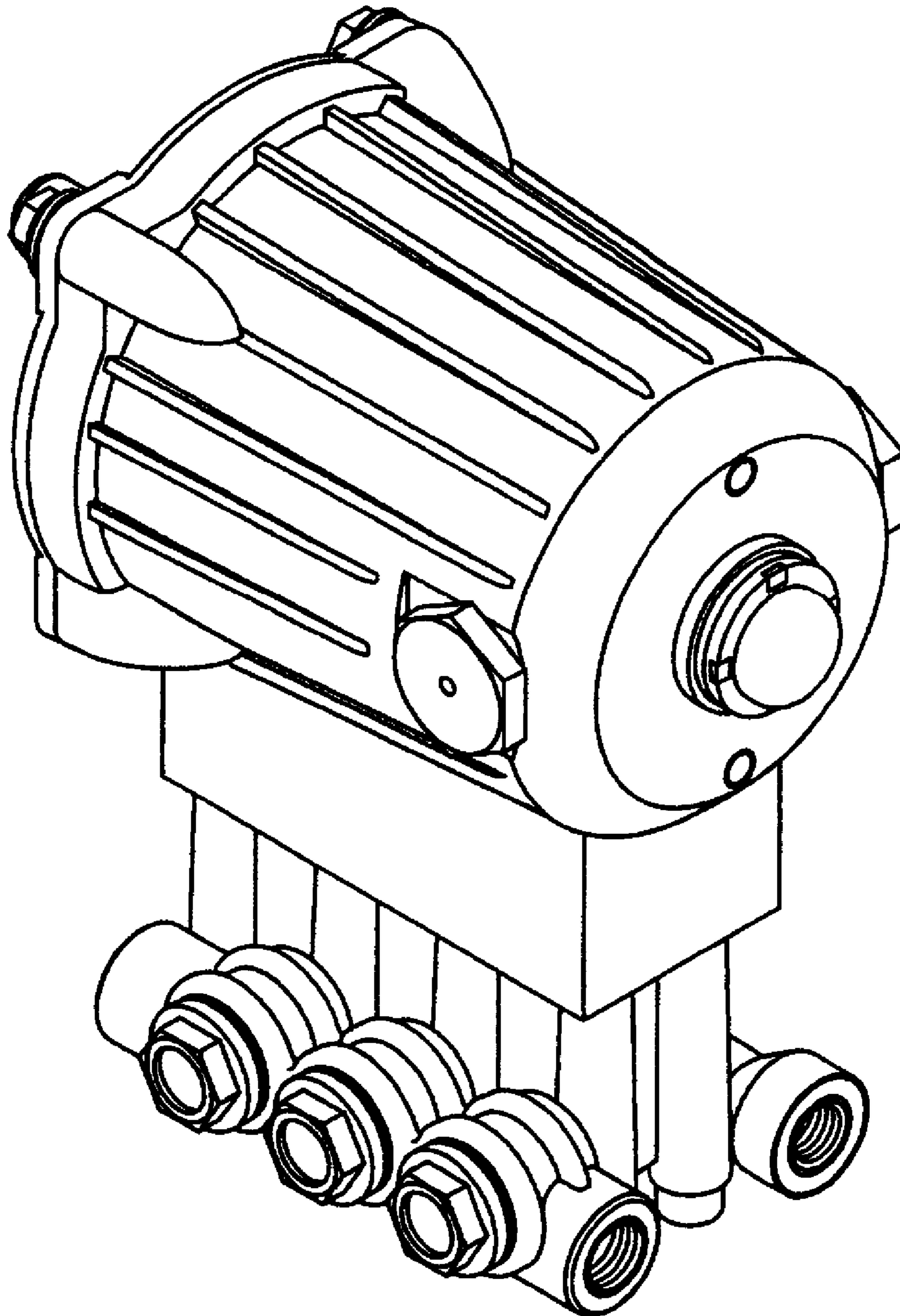


FIG. 8

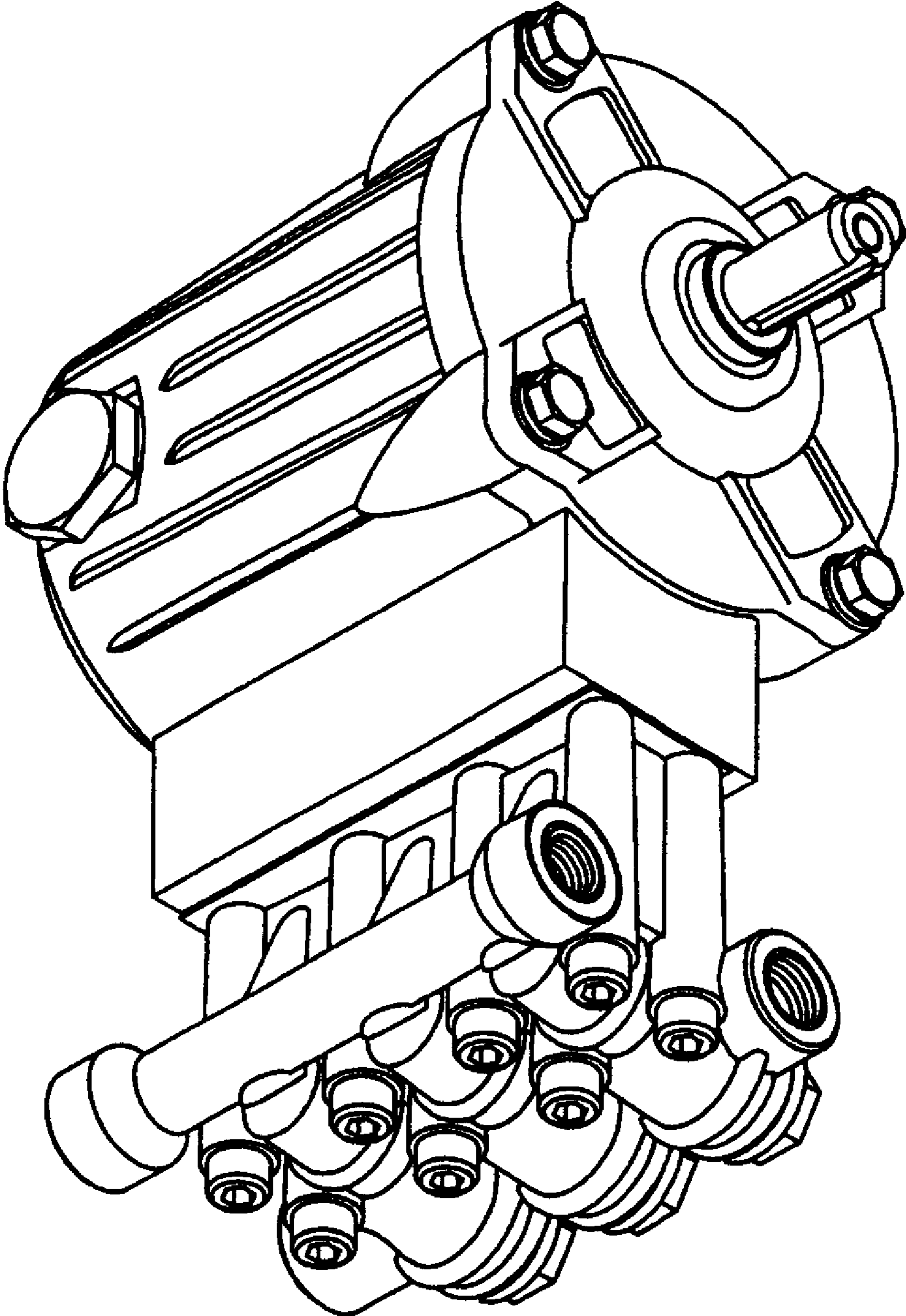


FIG. 9

