



US00D538819S

(12) **United States Design Patent**
Geng et al.

(10) **Patent No.:** **US D538,819 S**

(45) **Date of Patent:** **** Mar. 20, 2007**

(54) **PORTABLE MEDIA PLAYER**

(75) Inventors: **Yuqing Geng**, Shenzhen (CN);
Tzucheng Yu, Santa Clara, CA (US);
Chao Liu, Shenzhen (CN); **Jingqin Mai**, Shenzhen (CN)

(73) Assignee: **Hon Hai Precision Ind. Co., Ltd.**,
Taipei Hsien (TW)

(**) Term: **14 Years**

(21) Appl. No.: **29/233,983**

(22) Filed: **Jul. 11, 2005**

(30) **Foreign Application Priority Data**

Mar. 12, 2005 (CN) 2005 3 0054130

(51) **LOC (8) Cl.** **14-03**

(52) **U.S. Cl.** **D14/496**

(58) **Field of Classification Search** D14/496,
D14/401, 435, 474, 483, 217, 137, 138, 160,
D14/168; 345/156, 169, 173-179, 905; 715/727,
715/729, 864; 455/11.1, 7, 73, 344-347,
455/93, 95; 370/342-344; 369/1, 2, 6, 12;
463/43-47; 273/148 B

See application file for complete search history.

(56) **References Cited**

U.S. PATENT DOCUMENTS

6,122,526 A * 9/2000 Parulski et al. 455/556.1
6,595,860 B1 * 7/2003 Yamamoto et al. 463/43
6,639,577 B2 * 10/2003 Eberhard 345/102
6,671,567 B1 * 12/2003 Dwyer et al. 700/94
D494,188 S * 8/2004 Huang D14/496

6,769,603 B2 * 8/2004 Nagai et al. 235/375
6,791,907 B2 * 9/2004 Berhan 369/7
D507,003 S * 7/2005 Pai et al. D14/496
D507,277 S * 7/2005 Sitoh D14/496
D509,834 S * 9/2005 Kataoka D14/496
D511,347 S * 11/2005 Naruki D14/496
D511,528 S * 11/2005 Yang D14/496
D513,011 S * 12/2005 Johnson D14/496

* cited by examiner

Primary Examiner—Prabhakar Deshmukh

(74) *Attorney, Agent, or Firm*—Wei Te Chung

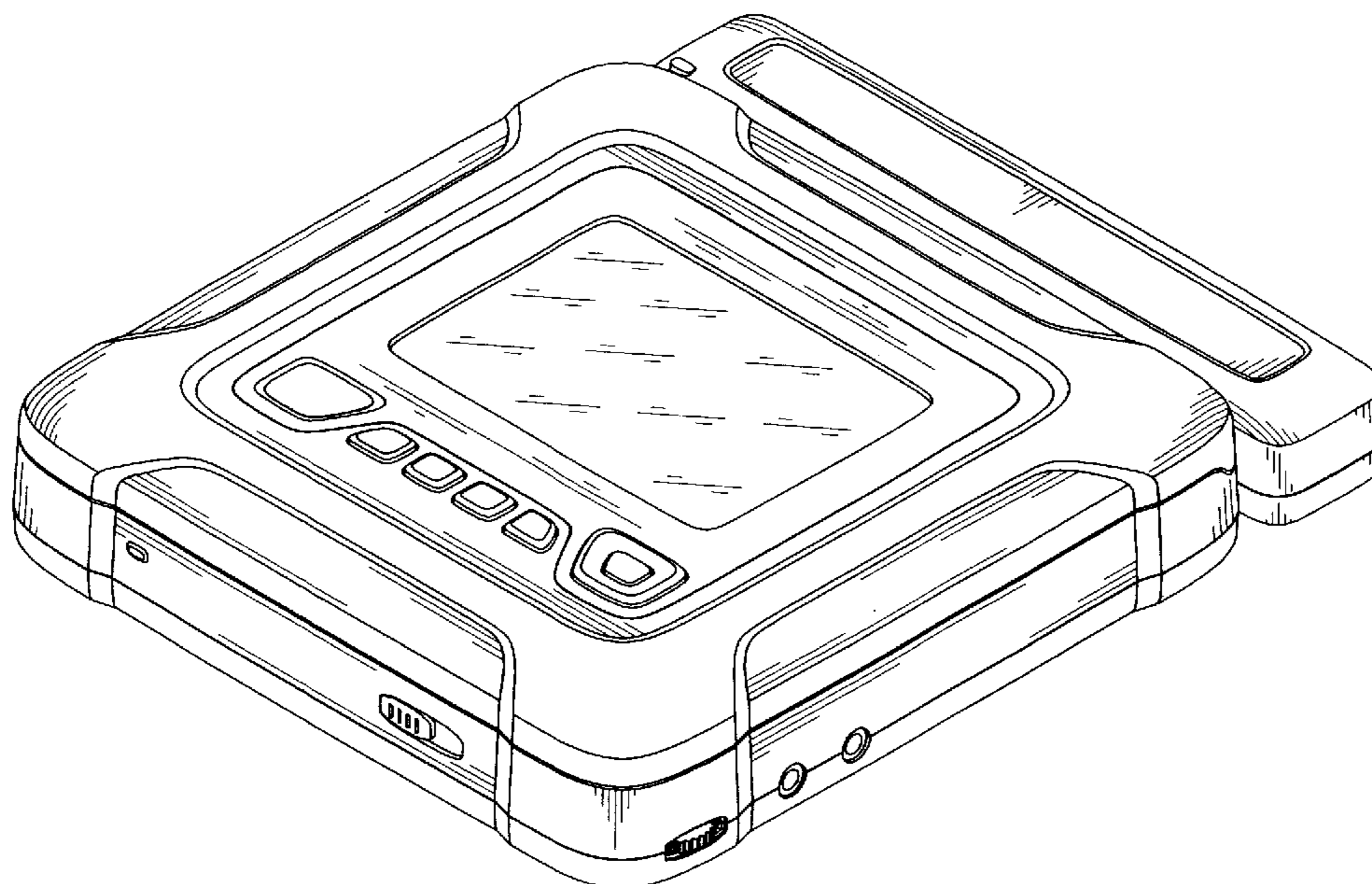
(57) **CLAIM**

The ornamental design for a portable media player, as shown and described.

DESCRIPTION

FIG. 1 is a perspective view of a portable media player showing a embodiment of our new design;
FIG. 2 is a front view of the embodiment thereof;
FIG. 3 is a rear view of the embodiment thereof;
FIG. 4 is a left side elevational view of the embodiment thereof;
FIG. 5 is a right side elevational view of the embodiment thereof;
FIG. 6 is a top plan view of the embodiment thereof;
FIG. 7 is a bottom plan view of the embodiment thereof;
and,
FIG. 8 is another perspective view of the embodiment thereof in use.
Any broken line showing in the views is for illustrative environmental purposes only and forms no part of the claimed design.

1 Claim, 6 Drawing Sheets



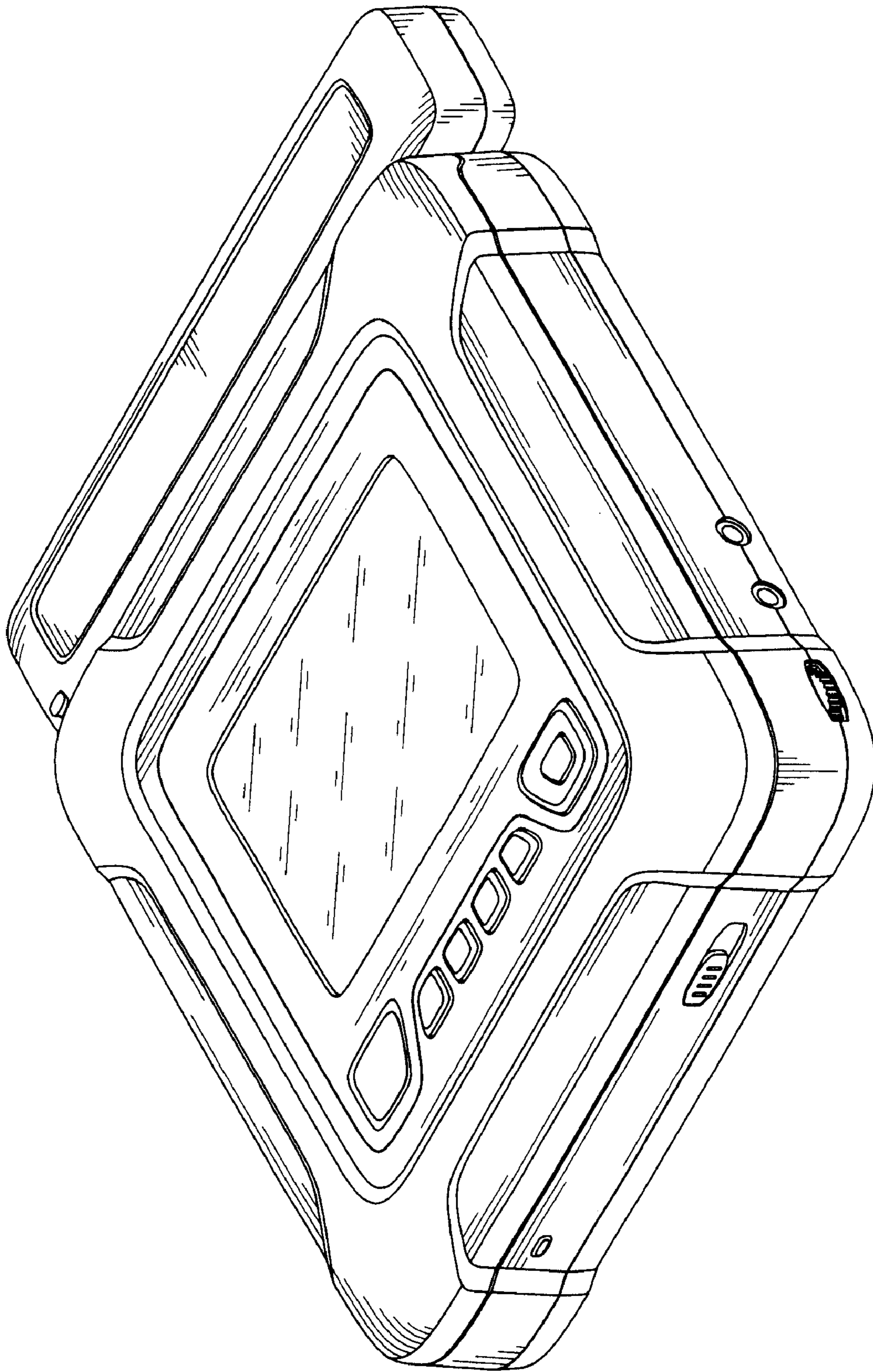


FIG. 1

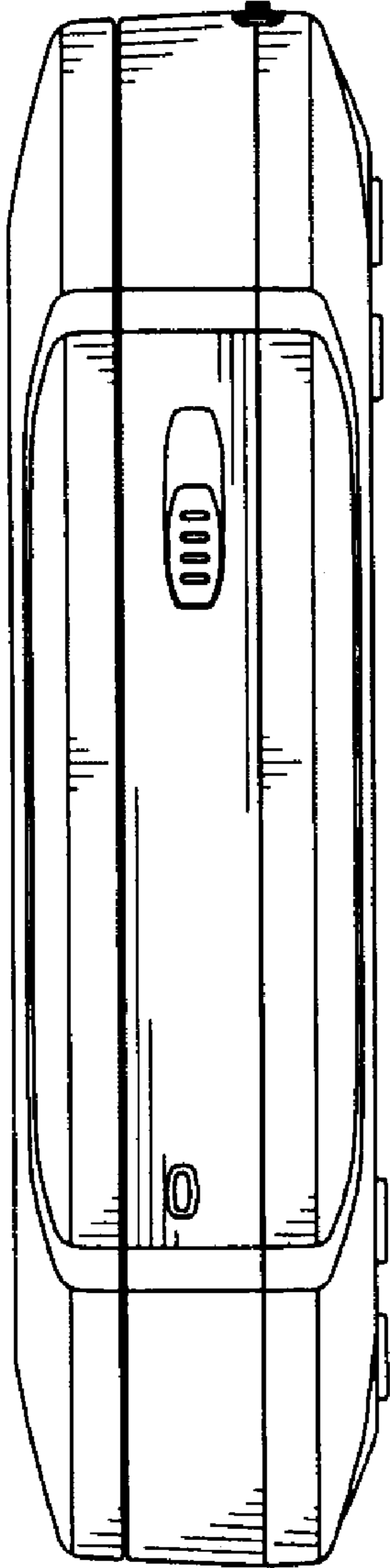


FIG. 2

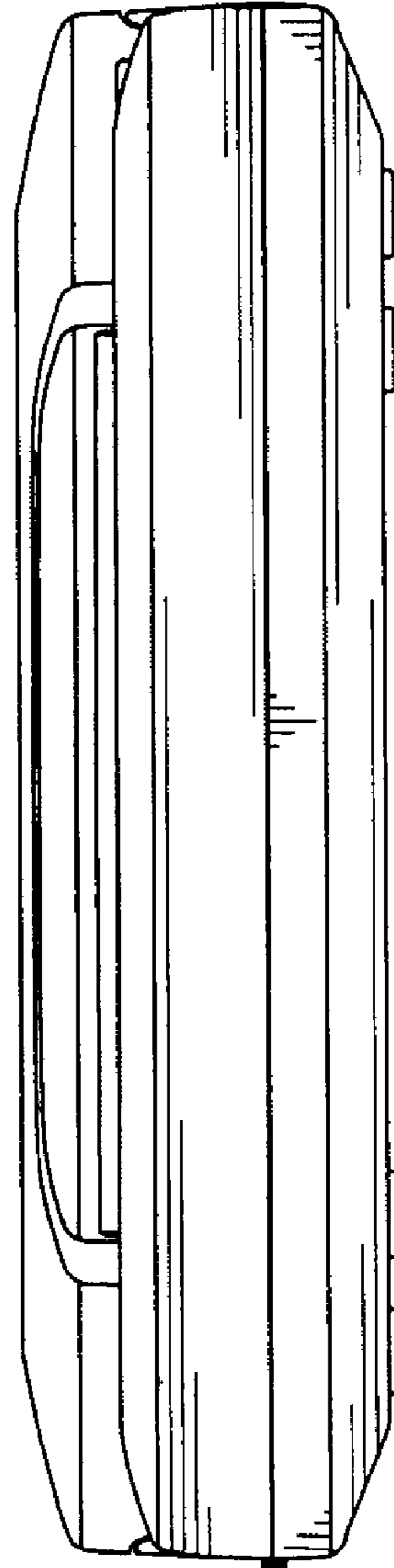


FIG. 3

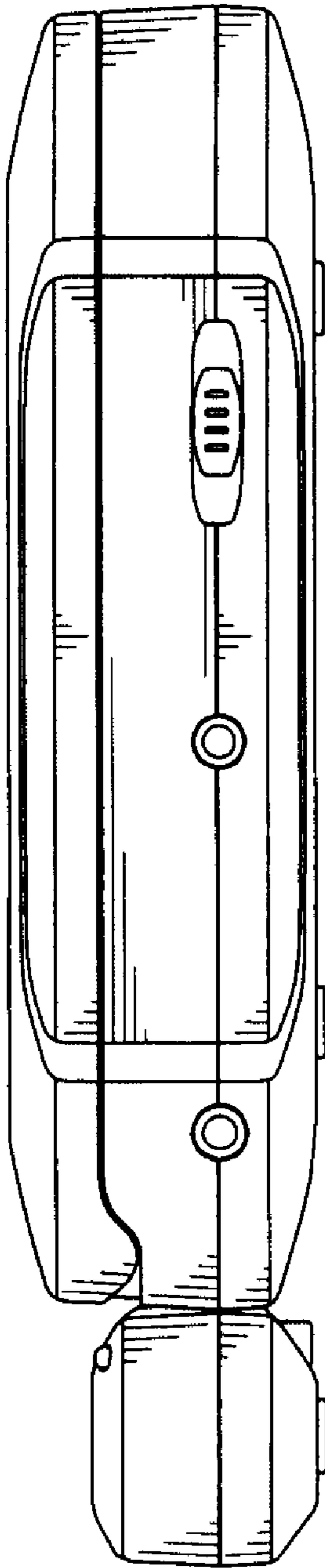


FIG. 4

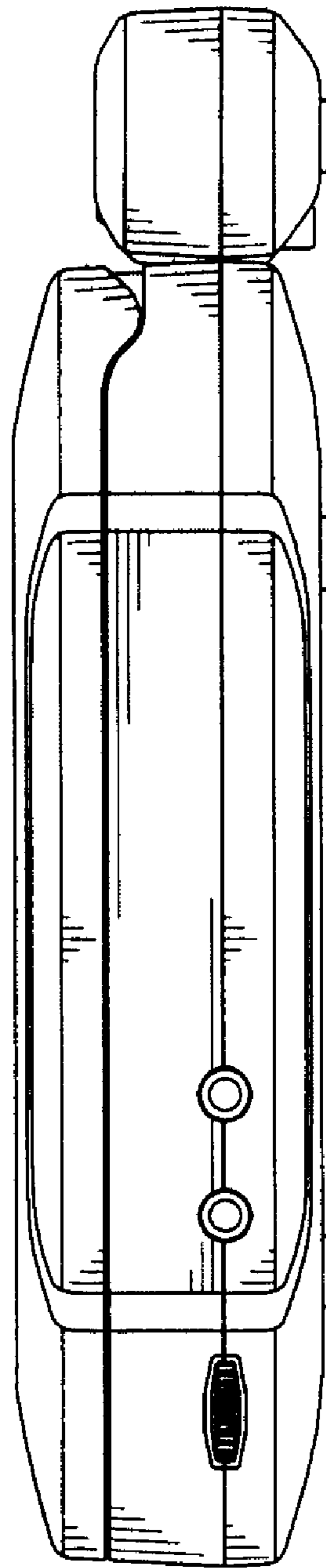


FIG. 5

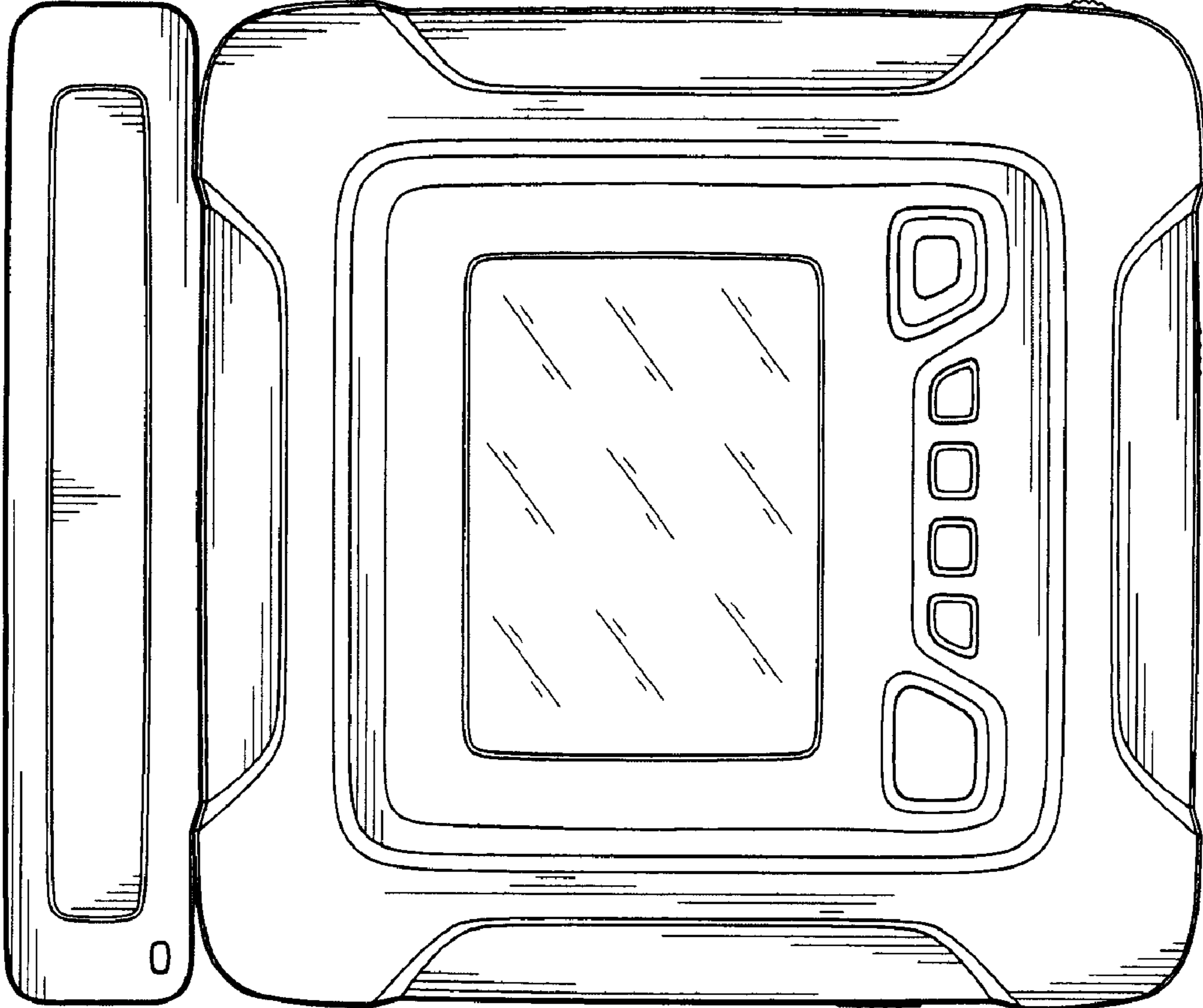


FIG. 6

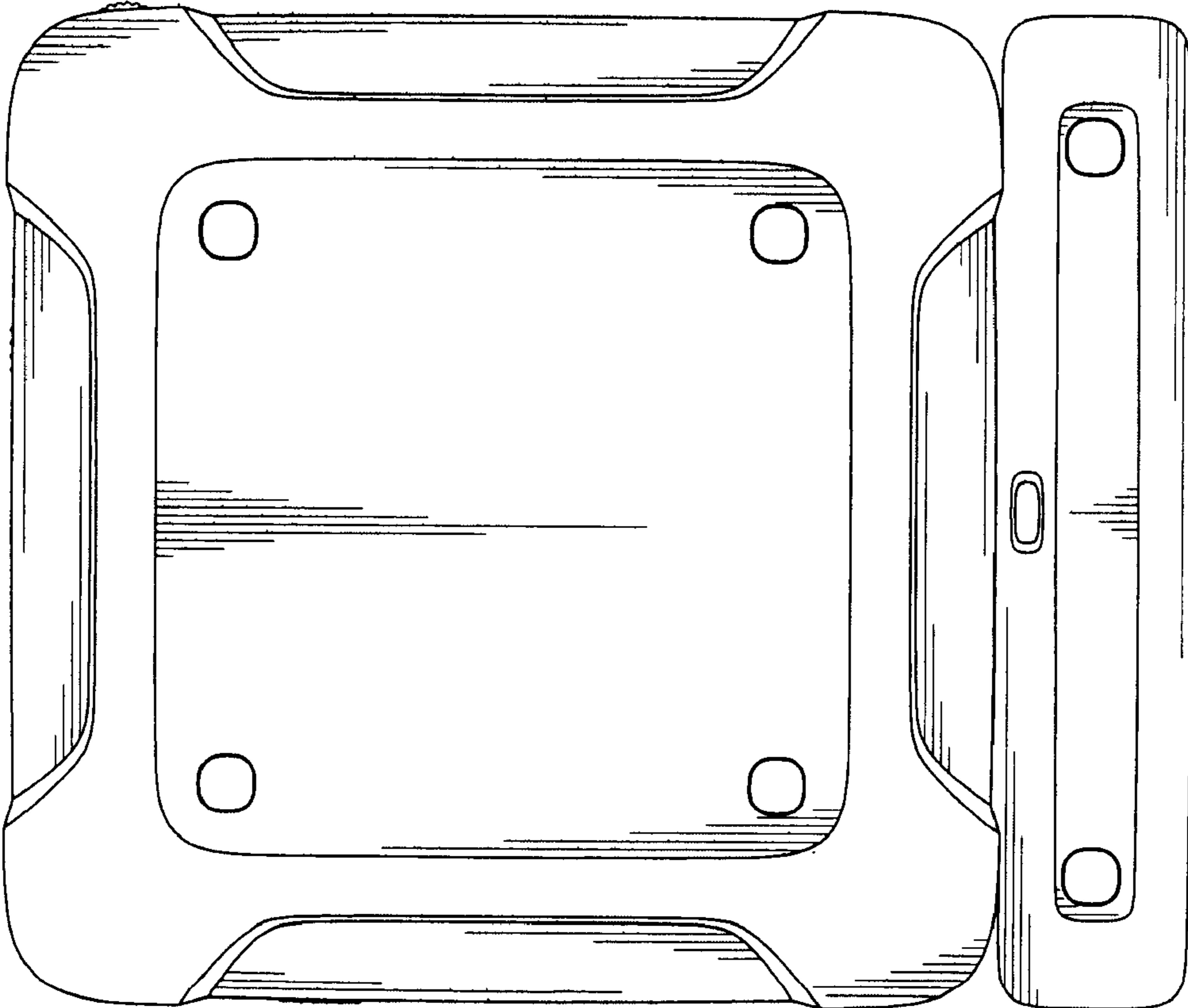


FIG. 7

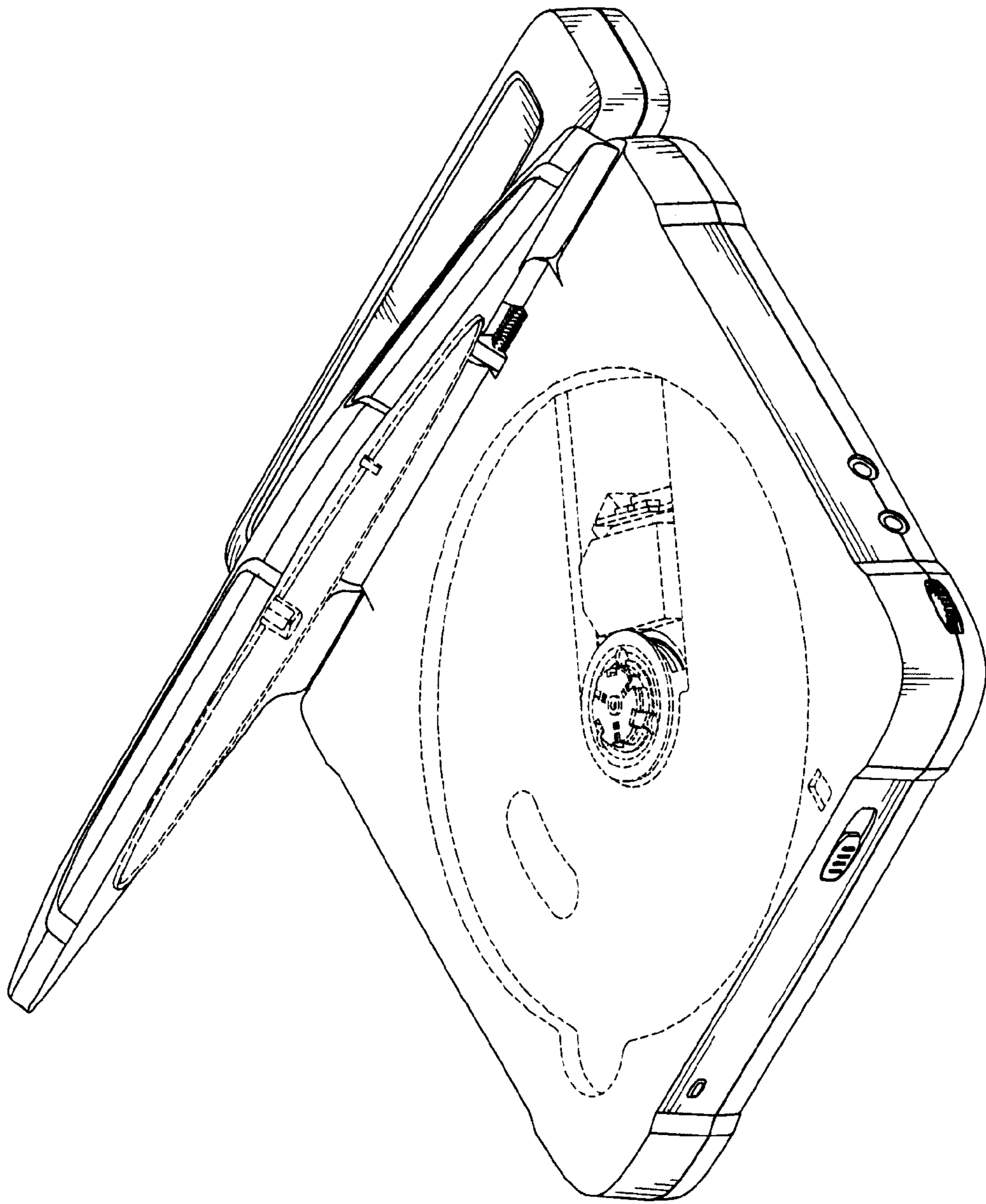


FIG. 8