



US00D538811S

(12) **United States Design Patent**
Chen et al.

(10) **Patent No.:** **US D538,811 S**
(45) **Date of Patent:** **** Mar. 20, 2007**

(54) **COMPUTER FRONT BEZEL**
(75) Inventors: **Yun-Lung Chen**, Tu-Cheng (TW); **Qun Wang**, Shen-Zhen (CN)

D438,517 S * 3/2001 Chen et al. D14/444
D467,928 S * 12/2002 Chen et al. D14/444
D468,745 S * 1/2003 Chien et al. D14/444
D474,474 S * 5/2003 Chien et al. D14/444

(73) Assignee: **Hon Hai Precision Ind. Co., Ltd.**,
Taipei Hsien (TW)

* cited by examiner

(**) Term: **14 Years**

Primary Examiner—Freda S. Nunn
(74) *Attorney, Agent, or Firm*—Wei Te Chung

(21) Appl. No.: **29/245,596**

(57) **CLAIM**

(22) Filed: **Dec. 27, 2005**

The ornamental design for a computer front bezel, as shown and described.

(30) **Foreign Application Priority Data**

DESCRIPTION

Oct. 28, 2005 (CN) 200530074356

FIG. 1 is a perspective view of a computer front bezel of our new design;

(51) **LOC (8) Cl.** **14-02**

FIG. 2 is a front elevational view thereof;

(52) **U.S. Cl.** **D14/444**

FIG. 3 is a rear elevational view thereof;

(58) **Field of Classification Search** D14/441-446,
D14/356; D13/162, 184, 199; 312/223.2;
360/99.01-99.12; 361/680-686, 690-696;
369/34.01, 36.01

FIG. 4 is a left side elevational view thereof;

FIG. 5 is a right side elevational view thereof;

See application file for complete search history.

FIG. 6 is a top plan view thereof;

FIG. 7 is a bottom plan view thereof; and,

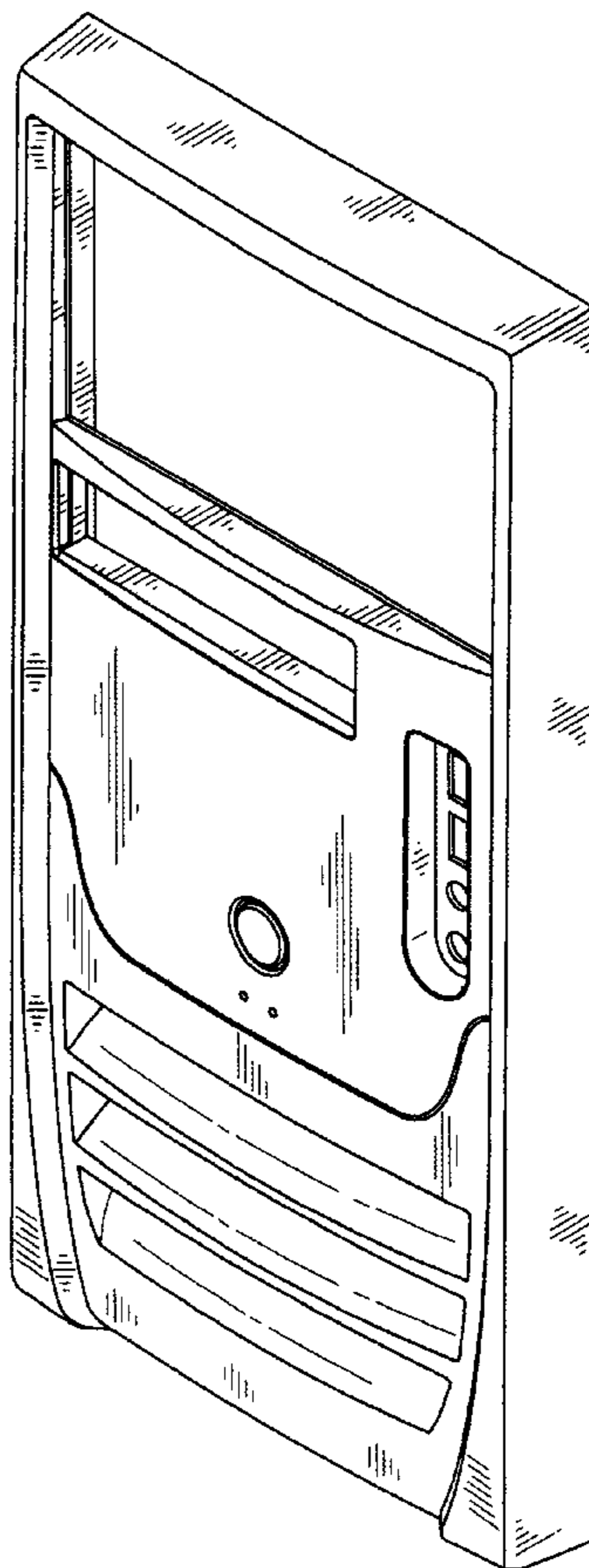
FIG. 8 is a perspective view thereof being mounted to a computer case which is shown in broken lines for illustrative purposes only and forms no part of the claimed design.

(56) **References Cited**

U.S. PATENT DOCUMENTS

D432,135 S * 10/2000 Jean et al. D14/444

1 Claim, 6 Drawing Sheets



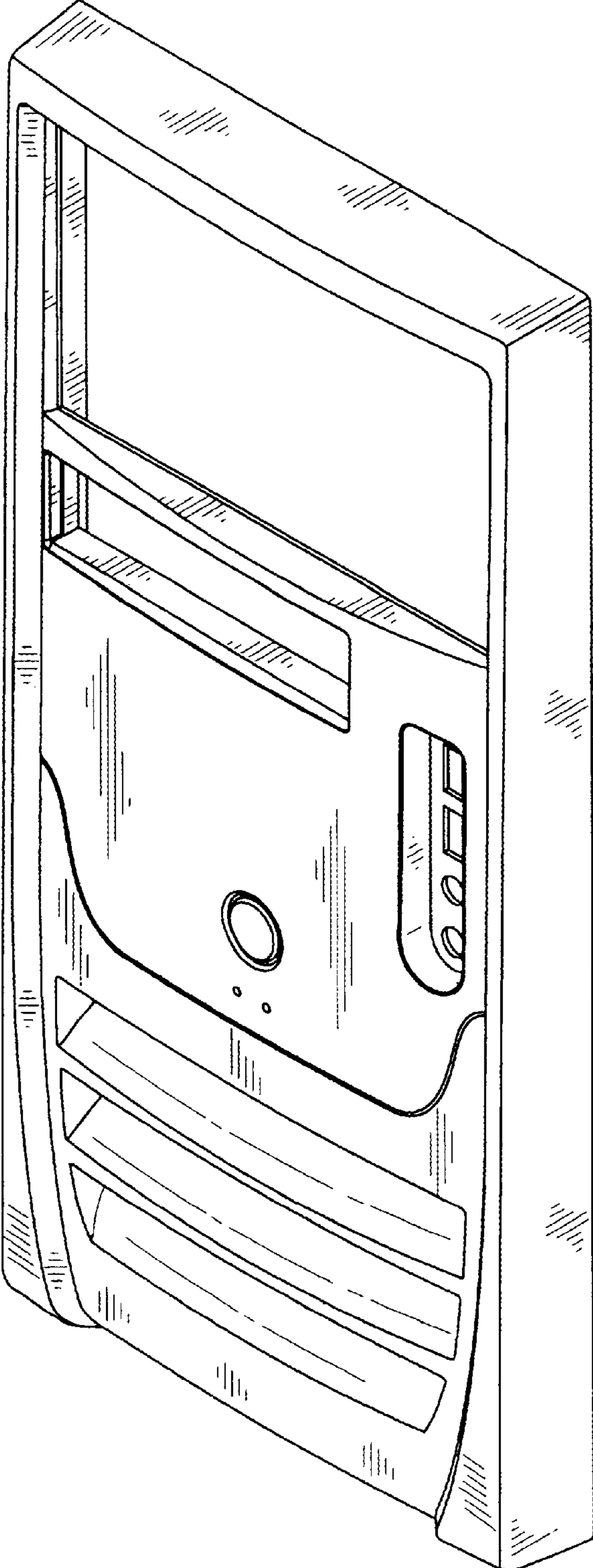


FIG. 1

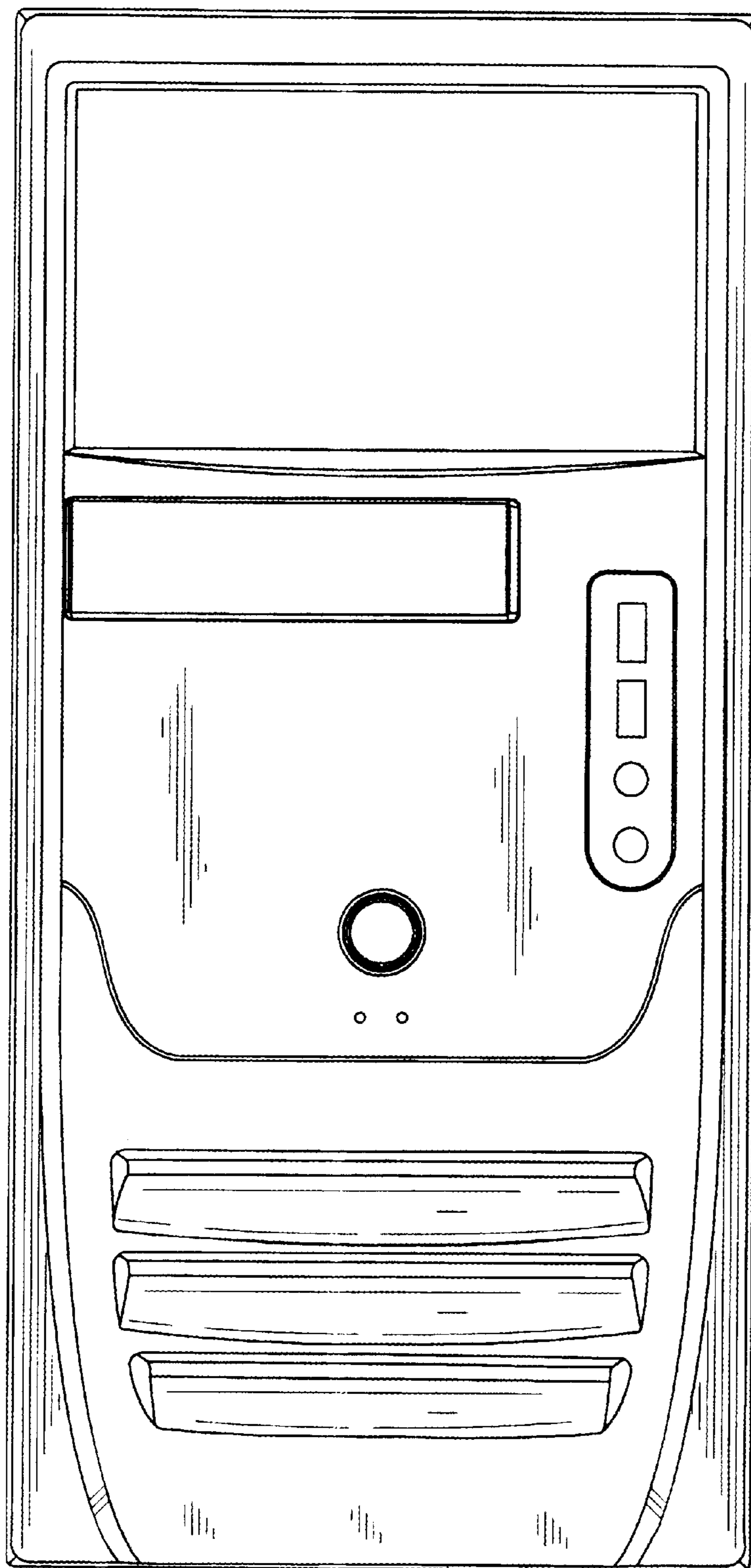


FIG. 2

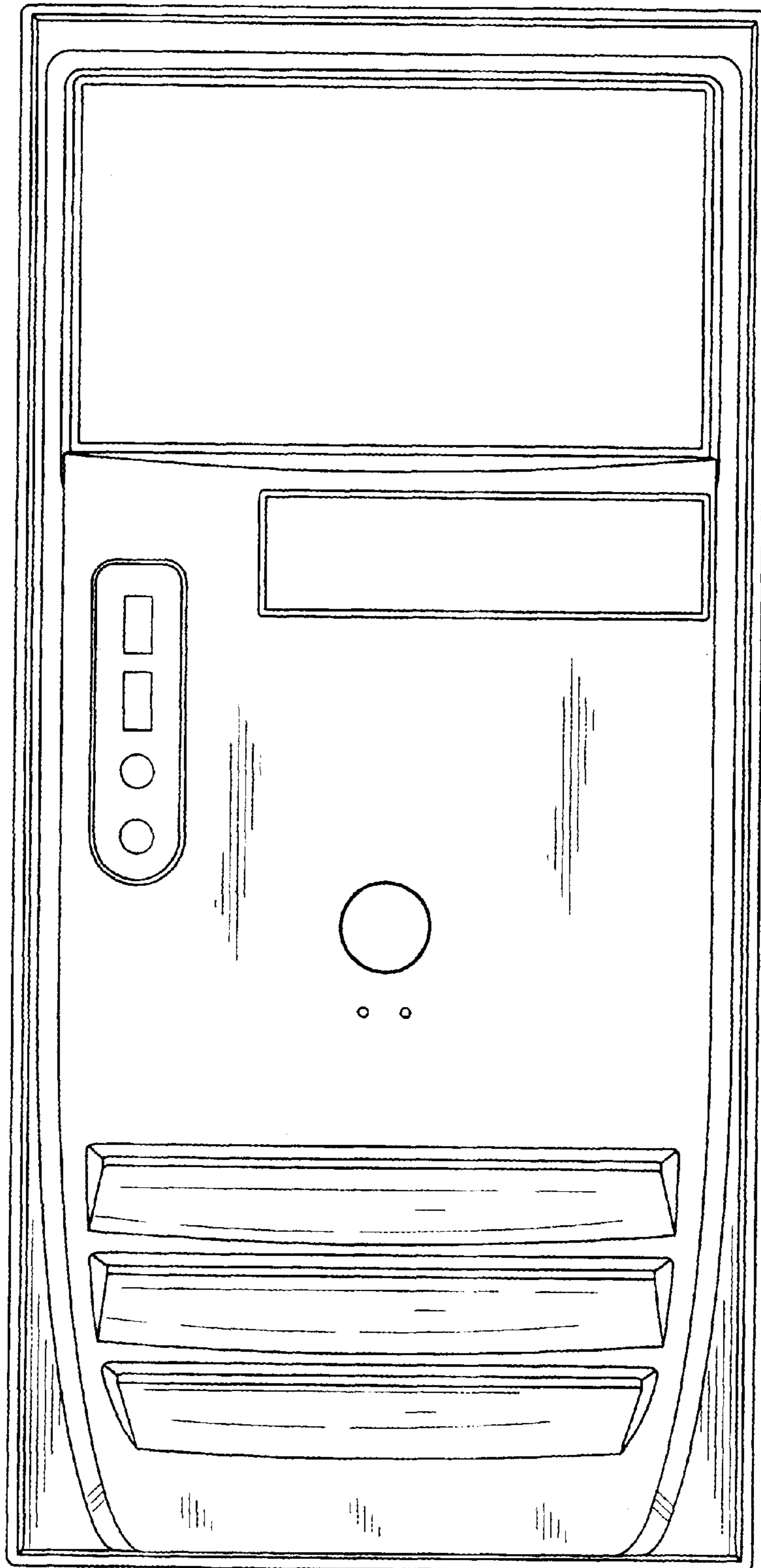


FIG. 3

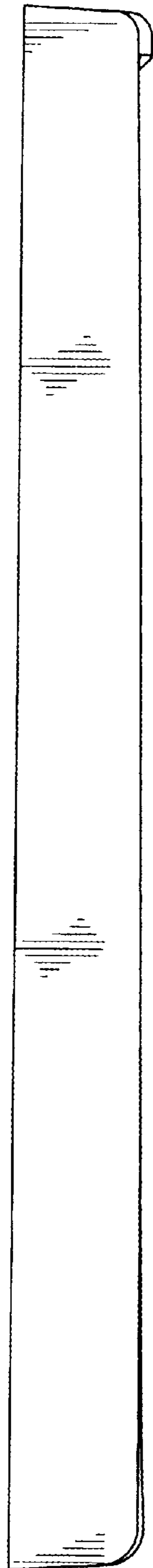


FIG. 4

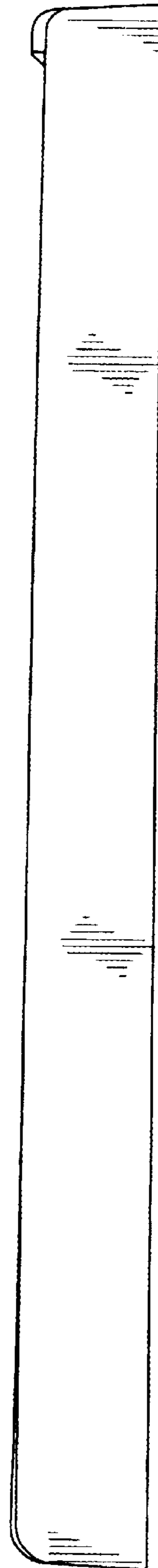


FIG. 5

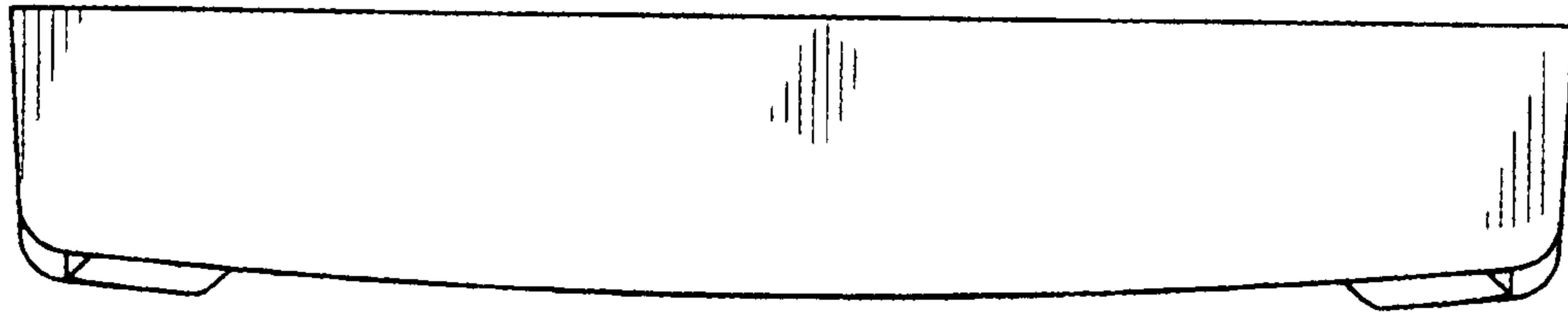


FIG. 6

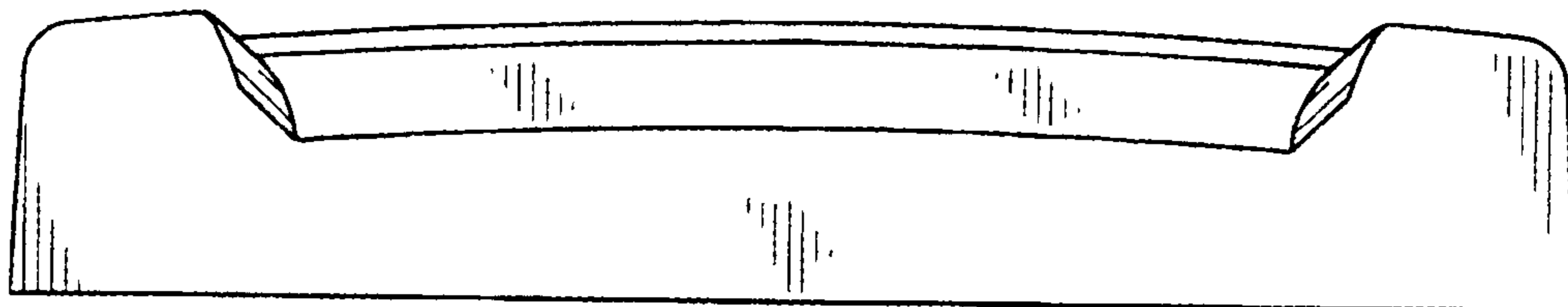


FIG. 7

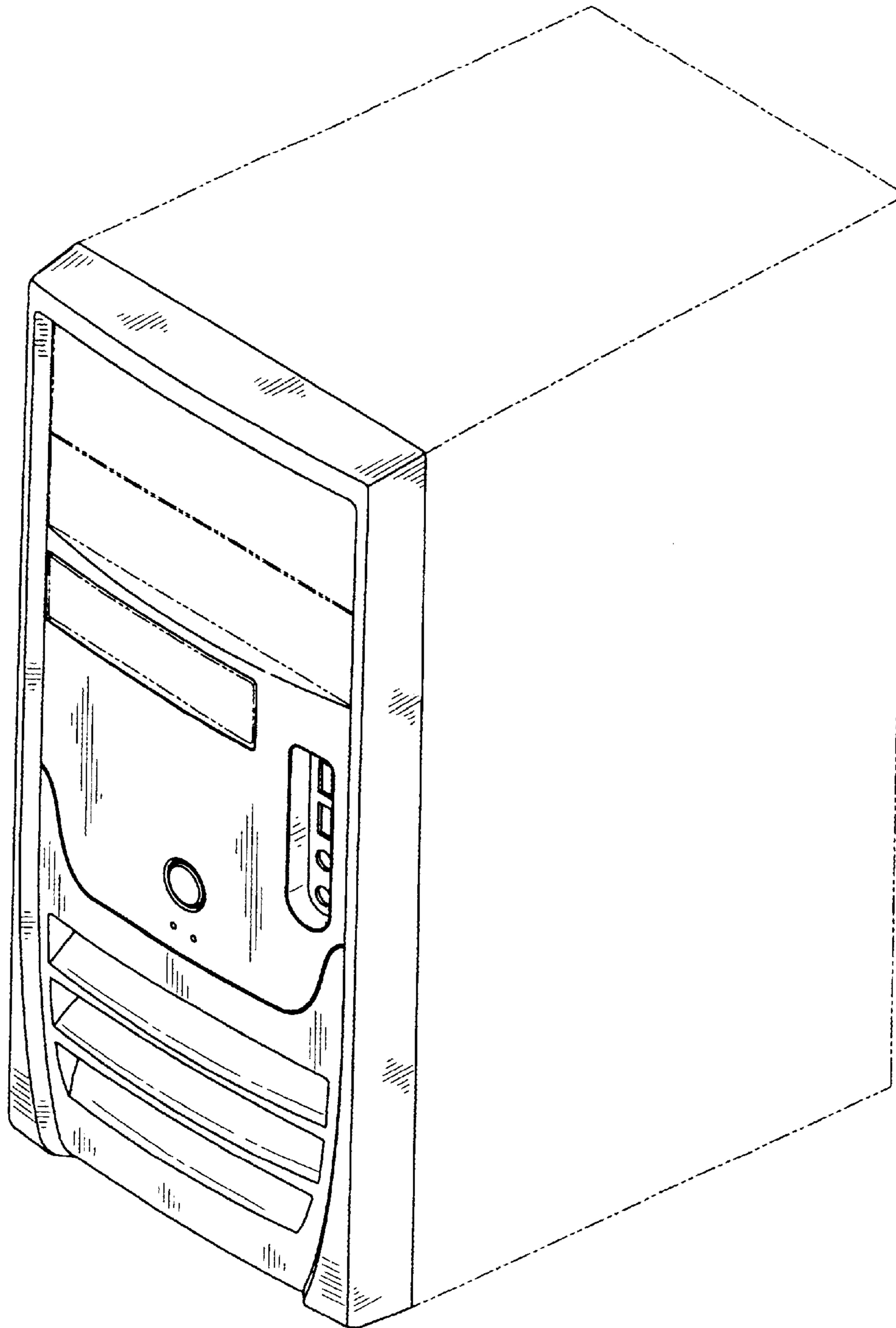


FIG. 8