



US00D538808S

(12) **United States Design Patent**
Landau

(10) **Patent No.:** **US D538,808 S**
(45) **Date of Patent:** **** Mar. 20, 2007**

(54) **CROSS-SHAPED COMPUTER MEMORY DEVICE**

(76) Inventor: **Steven Landau**, 2 Keswick Dr., Voorhees, NJ (US) 08043

(**) Term: **14 Years**

(21) Appl. No.: **29/228,732**

(22) Filed: **Apr. 27, 2005**

(51) **LOC (8) Cl.** **14-02**

(52) **U.S. Cl.** **D14/435**

(58) **Field of Classification Search** D14/356,
D14/242, 433-436; 360/97.01; 361/685,
361/686, 752, 737; 439/135, 144, 139-141,
439/147, 136, 638, 518; 365/51, 63, 131;
710/52, 300; D99/27, 25, 23; D11/141, 96,
D11/12, 122, 131, 157, 121; 52/648.1, 638,
52/653.1; 428/3; 362/362, 121; D10/109;
206/19

See application file for complete search history.

(56) **References Cited**

U.S. PATENT DOCUMENTS

D1,570 S	*	4/1862	Makin	D99/27
2,119,055 A	*	5/1938	Peffer	222/354
D115,152 S	*	6/1939	Richardson	D99/37
2,712,191 A	*	7/1955	Hillenbrand	428/3
D186,128 S	*	9/1959	Franzone	D26/73
D300,079 S	*	2/1989	Smith	D99/27
D338,315 S	*	8/1993	Larson	D99/27

(Continued)

OTHER PUBLICATIONS

“TikiMac offers Devil Duckie Flash Drive,” <http://www.macminute.com/2004/03/03/04/devilduckie>; 1 page, Mar. 4, 2004.

Press Release, http://216.239.39.104/translate_c?hl=en&u=http://www.solidalliance.com/press/press.html%23090102; 8 pages; various dates in 2004; printed from Internet Mar. 29, 2005.

Press Release, “SushiDisk”, Dec. 14, 2004; http://216.239.39.104/translate_c?hl=en&u=http://www.solidalliance.com/press/press.html%23090102, 2 pp., Mar. 29, 2005. “Pez Memory Stick;” <http://crap.mousetoy.com/pez.html>; pp. 1-4, printed from Internet Mar. 29, 2005.

(Continued)

Primary Examiner—M. H. Tung
Assistant Examiner—Susan Moon Lee

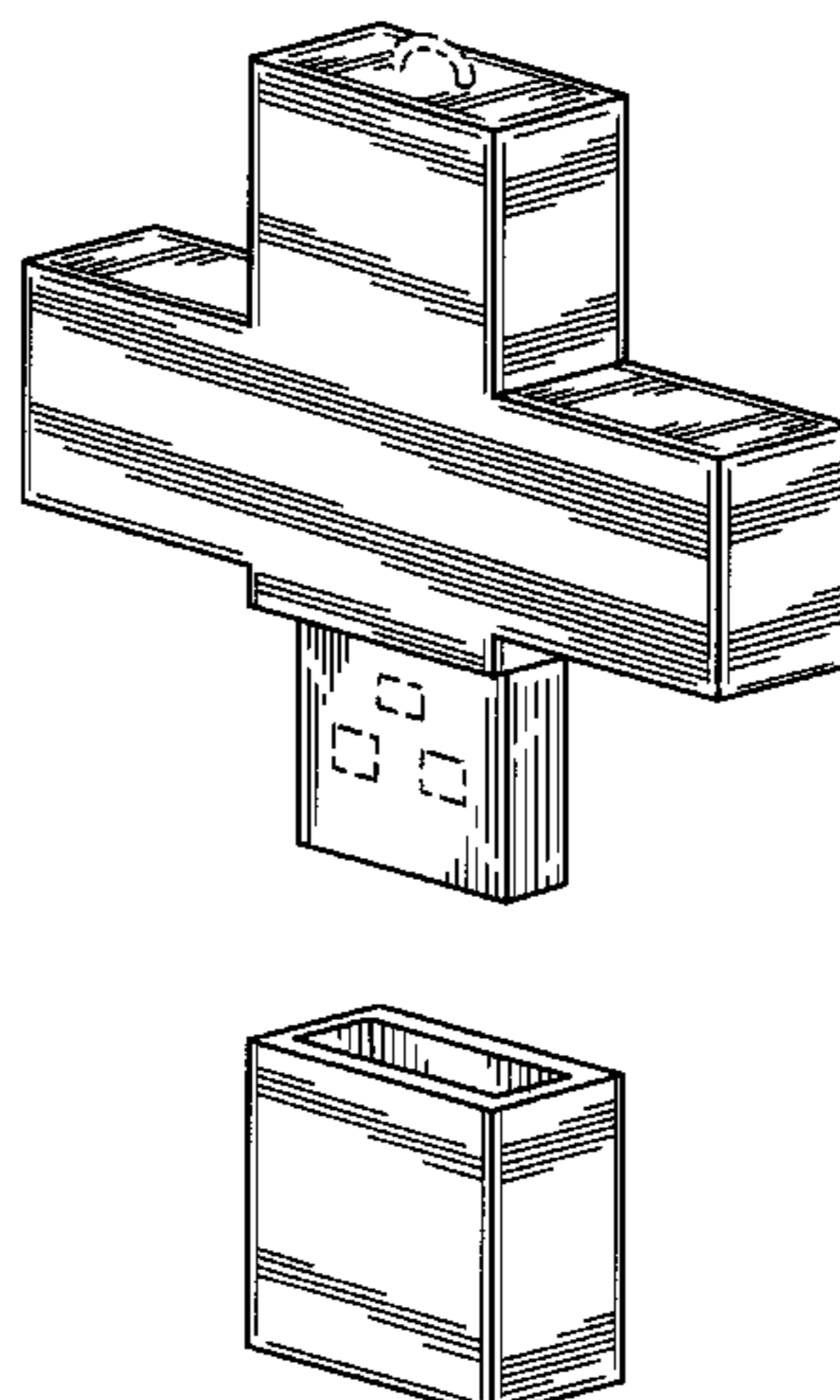
(57) **CLAIM**

The ornamental design for a cross-shaped computer memory device, as shown and described.

DESCRIPTION

FIG. 1 is a three dimensional exploded view of a cross-shaped computer memory device in accordance with the present invention;
FIG. 2 is a front exploded view thereof;
FIG. 3 is a rear exploded view thereof;
FIG. 4 is a side exploded view thereof;
FIG. 5 is a top plan view thereof;
FIG. 6 is a bottom plan view thereof;
FIG. 7 is a front assembled view thereof;
FIG. 8 is a three-dimensional view thereof showing engagement of the cross-shaped computer memory device with a laptop computer;
FIG. 9 is a three dimensional exploded view of a second embodiment of the cross-shaped computer memory device;
FIG. 10 is a front exploded view thereof;
FIG. 11 is a rear exploded view thereof;
FIG. 12 is a side exploded view thereof;
FIG. 13 is a top plan view thereof;
FIG. 14 is a bottom plan view thereof;
FIG. 15 is a front assembled view thereof; and,
FIG. 16 is a three-dimensional view thereof showing engagement of the cross-shaped computer memory device with a laptop computer.
The broken line matter is for illustrative purposes only and forms no part of the claimed design.

1 Claim, 12 Drawing Sheets



U.S. PATENT DOCUMENTS

D351,415 S * 10/1994 Pope D19/34.3
 D370,282 S * 5/1996 Grether D26/4
 D408,378 S 4/1999 Tyler et al.
 D408,803 S 4/1999 Tyler et al.
 D410,401 S * 6/1999 Fowler D10/109
 D412,461 S * 8/1999 McGrew D11/122
 D429,351 S * 8/2000 Grether D26/25
 D429,728 S 8/2000 Hays
 D430,569 S 9/2000 Hays
 D440,225 S * 4/2001 Dias et al. D14/403
 D440,734 S * 4/2001 Berry D99/23
 D449,615 S 10/2001 Lloyd
 D456,813 S 5/2002 Hays
 6,522,534 B1 * 2/2003 Wu 361/686
 6,522,552 B1 2/2003 Lee
 6,648,224 B2 11/2003 Lee
 6,654,841 B2 11/2003 Lin
 6,733,329 B2 5/2004 Yang
 6,744,634 B2 6/2004 Yen
 D497,616 S 10/2004 Ma et al.
 6,813,164 B2 11/2004 Yen
 6,848,045 B2 1/2005 Long et al.
 D502,216 S 2/2005 Chen
 6,945,003 B2 * 9/2005 Berry 52/648.1
 2004/0103064 A1 5/2004 Howard et al.

OTHER PUBLICATIONS

http://www.akhilbaranews.com/news_pics/9347/3.jpg;
 printed from Internet Mar. 29, 2005.

“Custom Shape USB Flash Drive With Pop Up Function,”
 2 pp., publication available prior to Feb. of 2005, source
 unknown.

b3ta.com; <http://www.b3ta.com/board/4577623;5/11/2005>;
 pp. 1–2, May 1, 2005.

Kelly, Gordon, “TrustedReviews –SanDisk Readies Prod-
 ucts For UK Market and Hypes Up TransFlash,” Feb. 2,
 2005, 3 pp., printed from Internet Jun. 7, 2005.

Har–Even, Benny, “TrustedReviews –SanDisk Offers SD
 Card With Integrated USB 2.0,” Jan. 24, 2005, 3 pp., printed
 from Internet May 27, 2005.

“USBLLine –The ultimate Source For Your High–Tech Pro-
 motional Needs”, Our USB Flash Drive Products, [http://
 www.usbline.com/usbfd_cat.htm](http://www.usbline.com/usbfd_cat.htm), 4 pp., printed from Inter-
 net, Dec. 7, 2005.

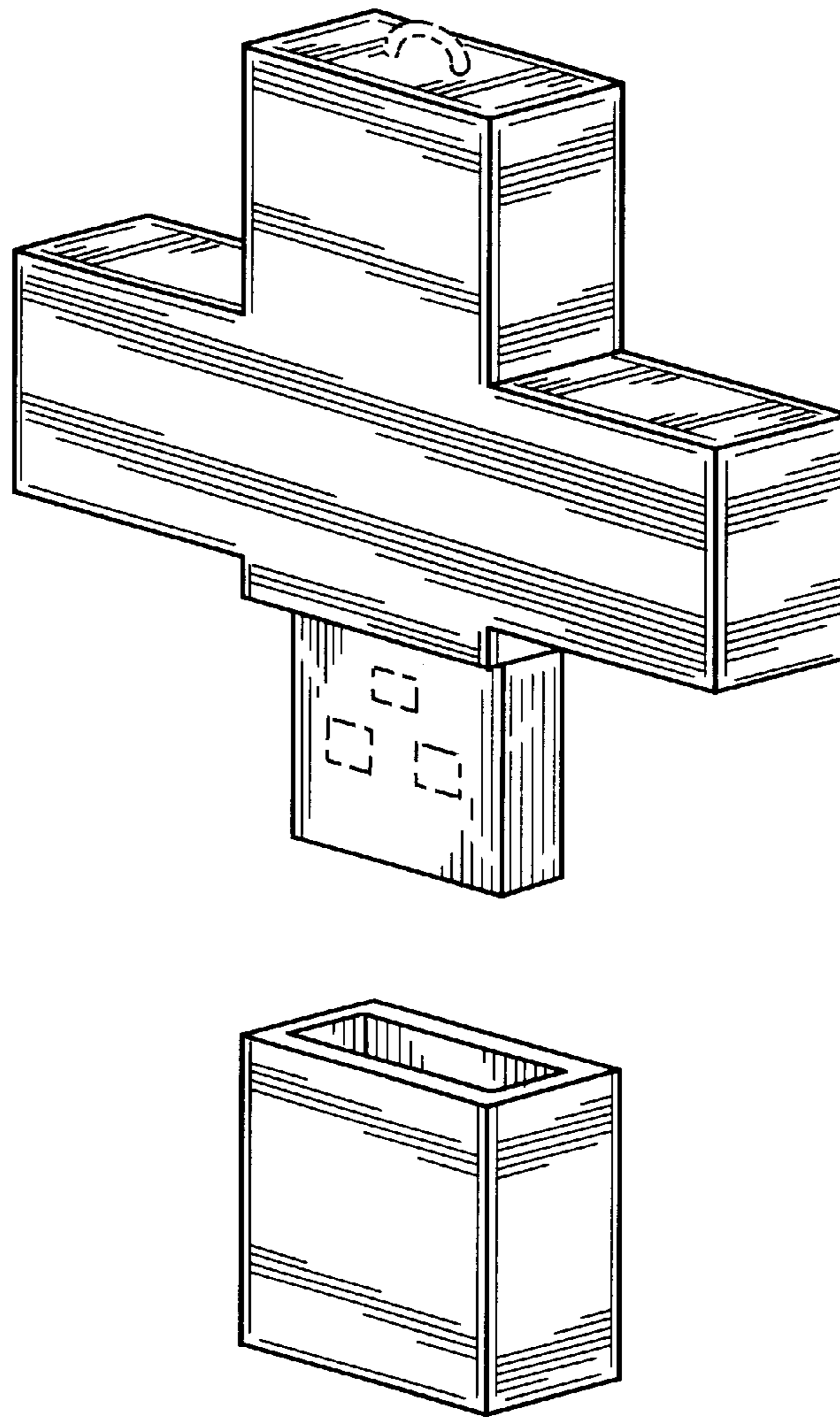
ISO/IEC JTC 1/SC 17 N —Date: Dec. 15, 2003; “Identifi-
 cation Cards –Integrated Circuit Cards –Part 12: Cards with
 contracts: USB Electrical Interface and Operating Proce-
 dures”; Std Version 2.1; ©ISO/IEC 2003 –All rights
 reserved; 61 pages.

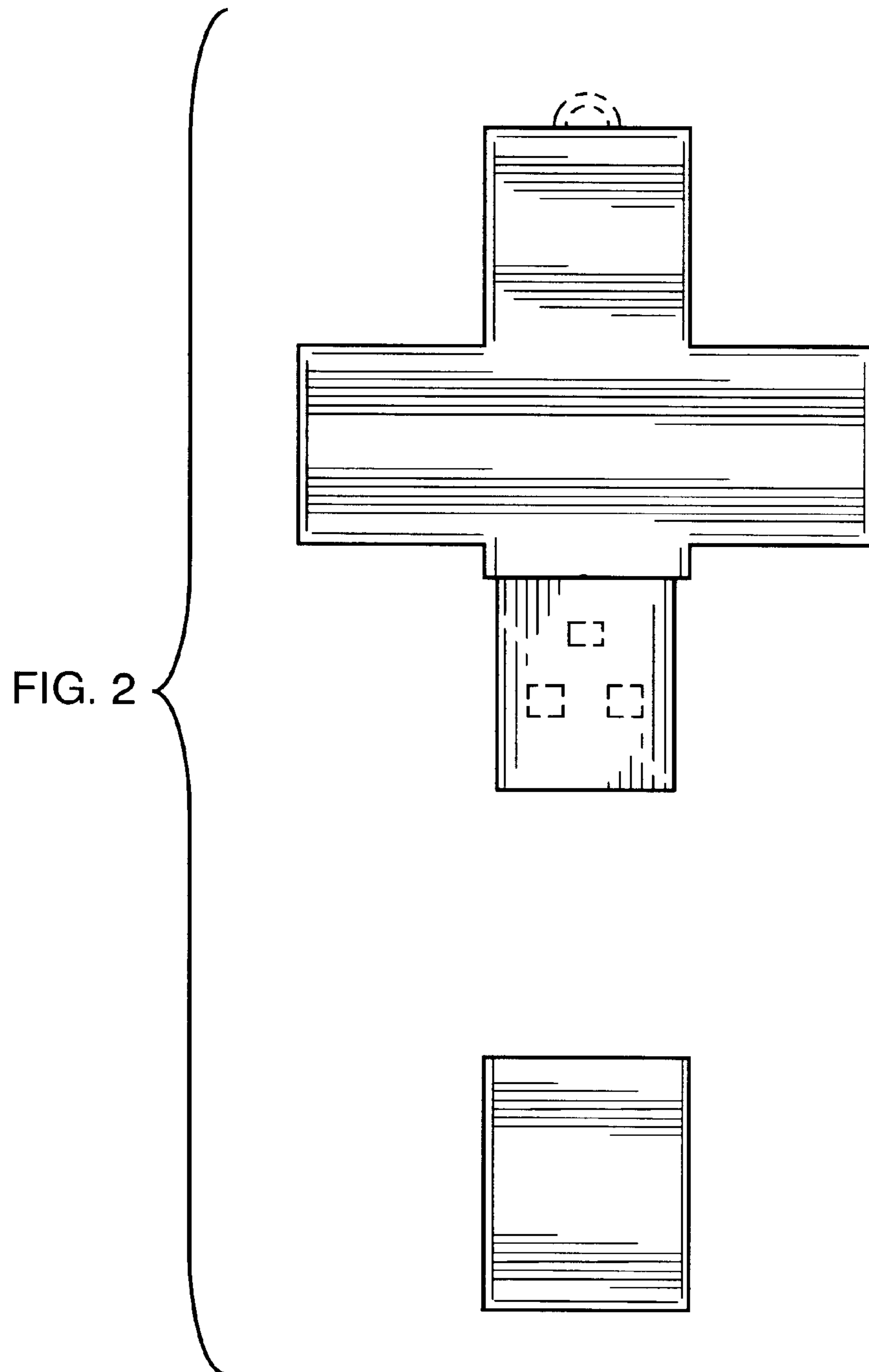
Produres ; Std Version 2.1; ©ISO/IEC 2003 –All rights
 reserved; 61 pages.

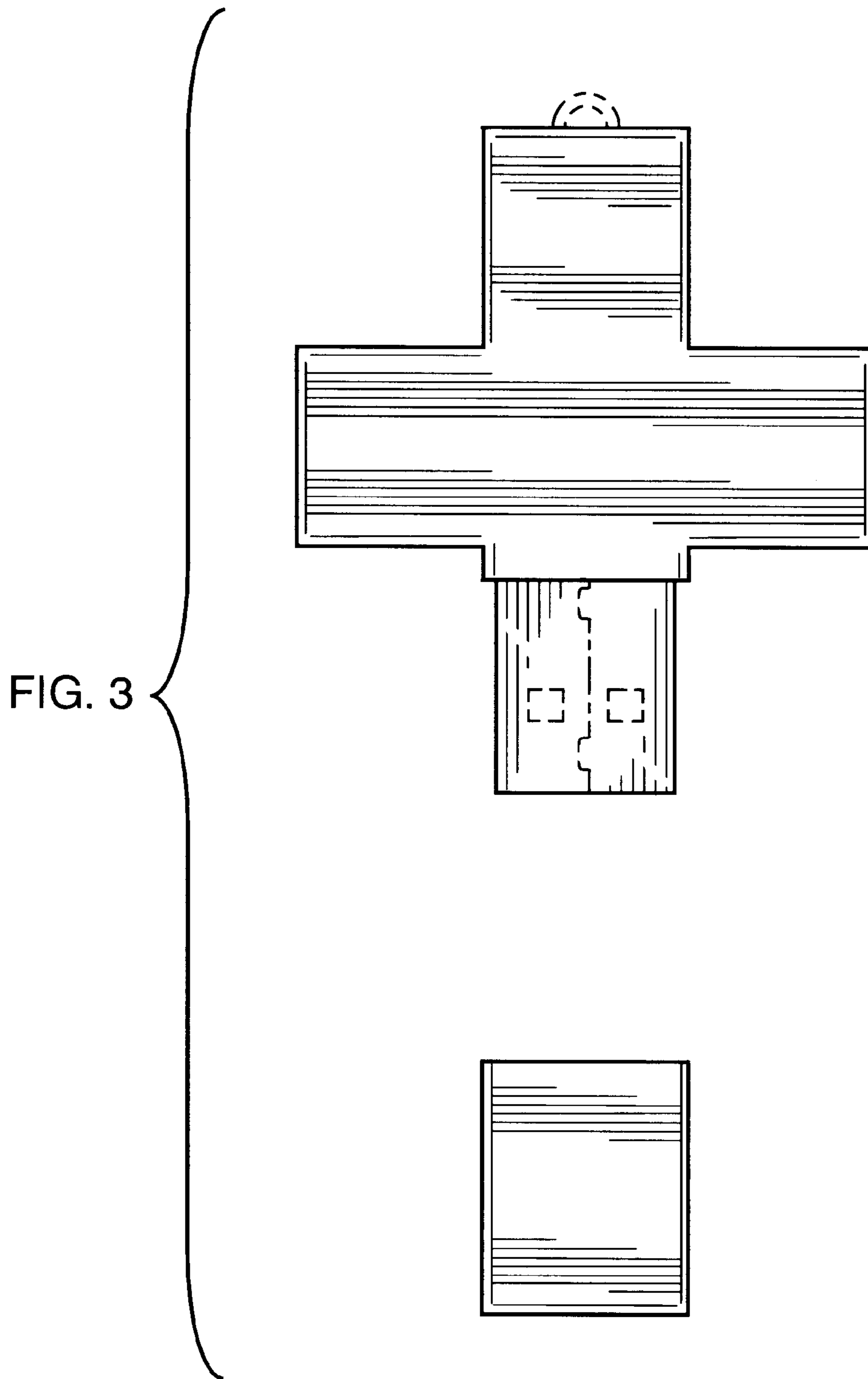
Nathan, et al.; Universal Serial Bus; Device Class Specifi-
 cation for “USB Chip/Smart Card Interface Devices”; Revi-
 sion 1.00; Mar. 20, 2001; 135 pages.

* cited by examiner

FIG. 1







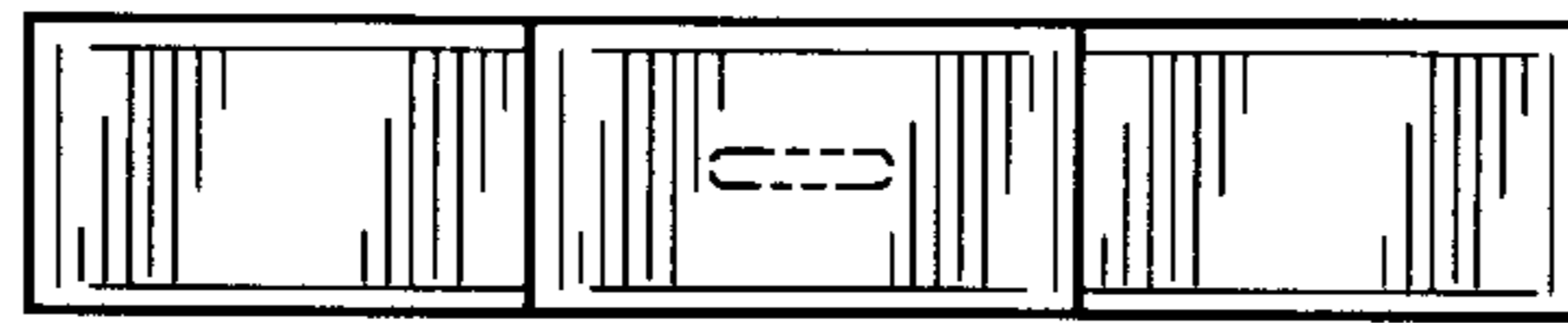
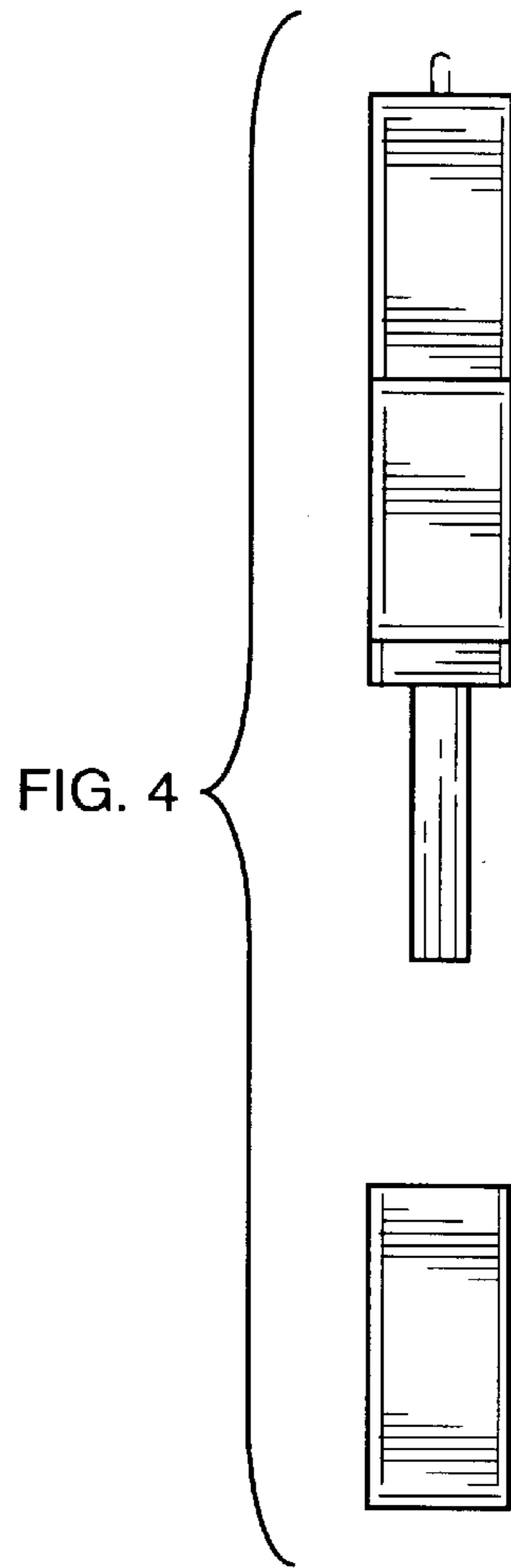


FIG. 5

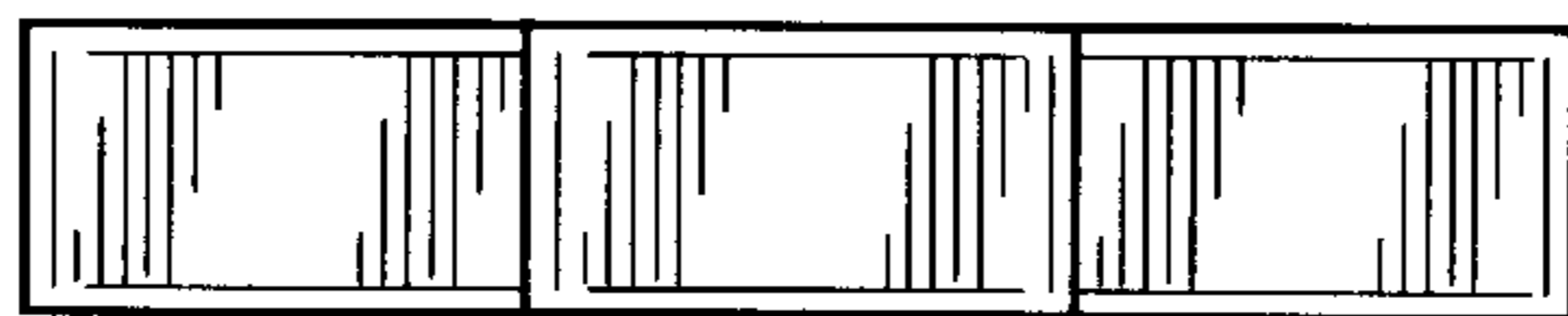


FIG. 6

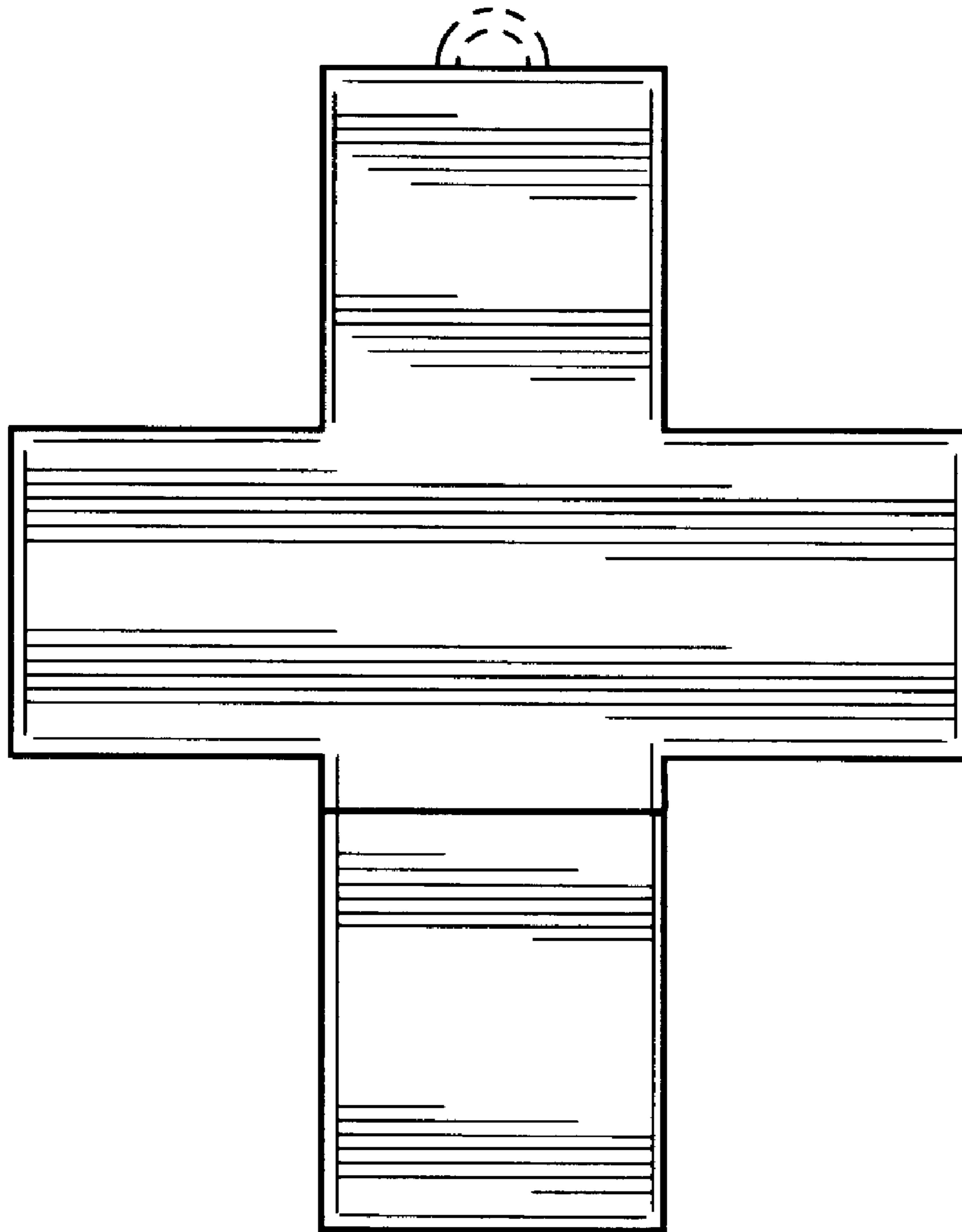


FIG. 7

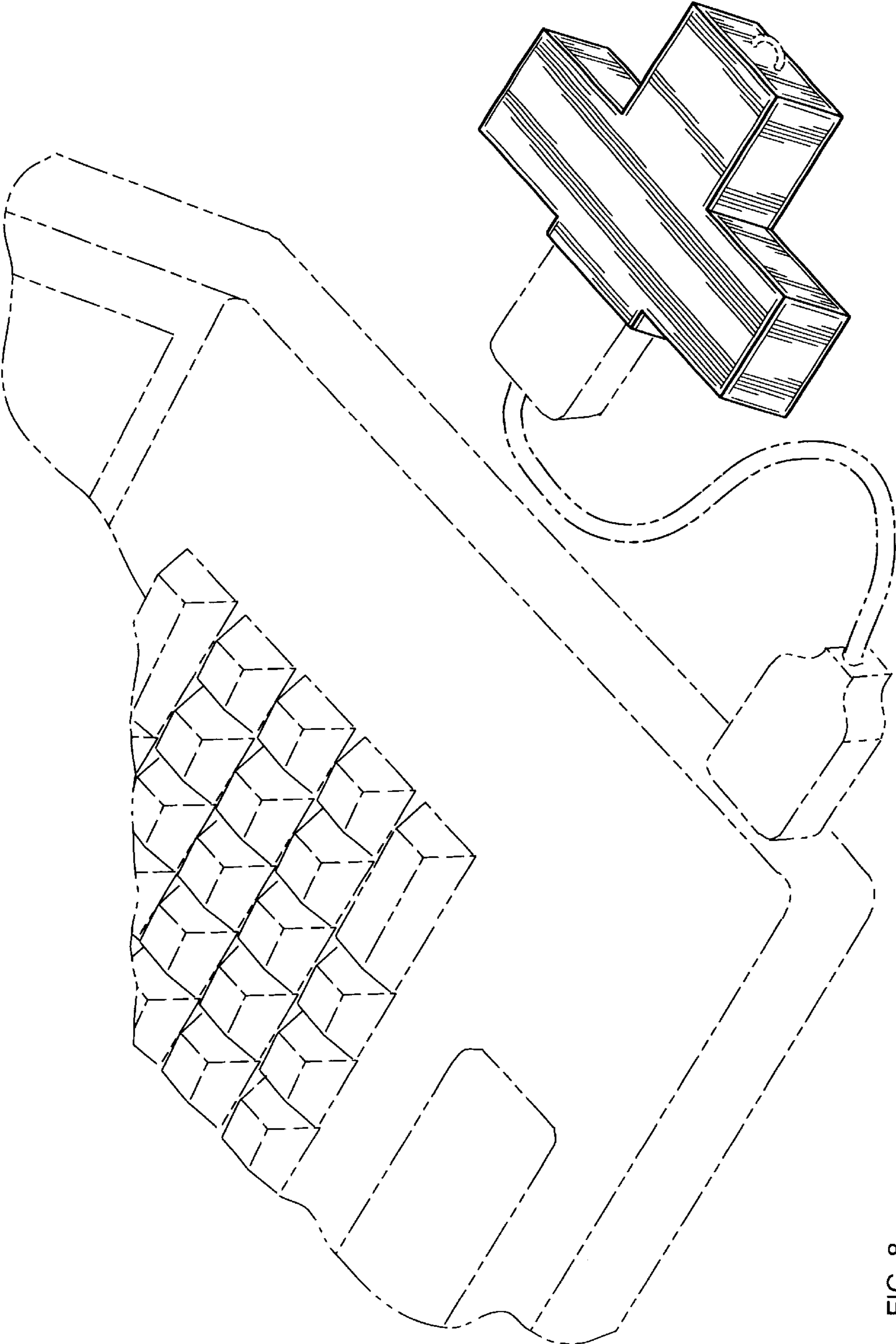
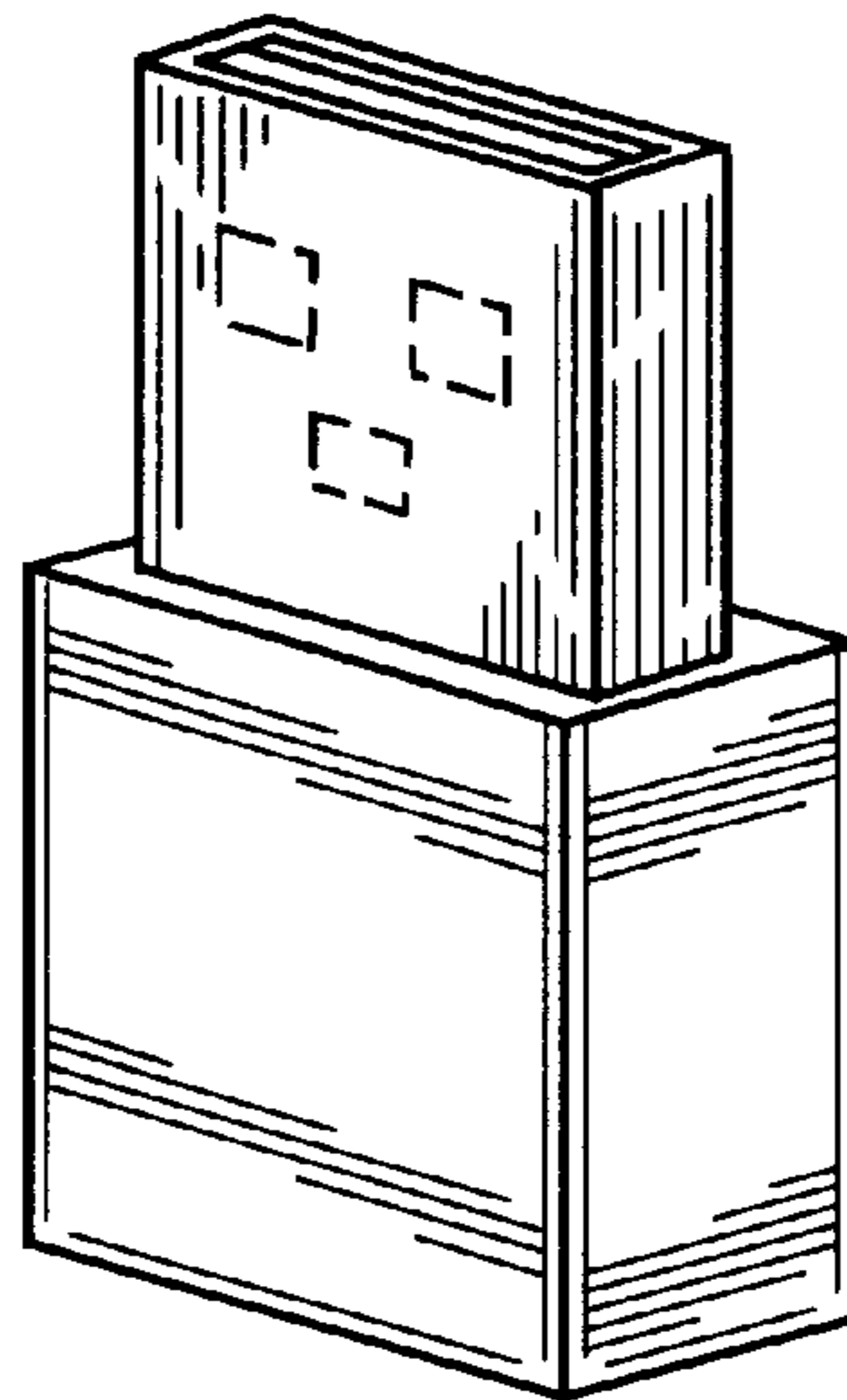
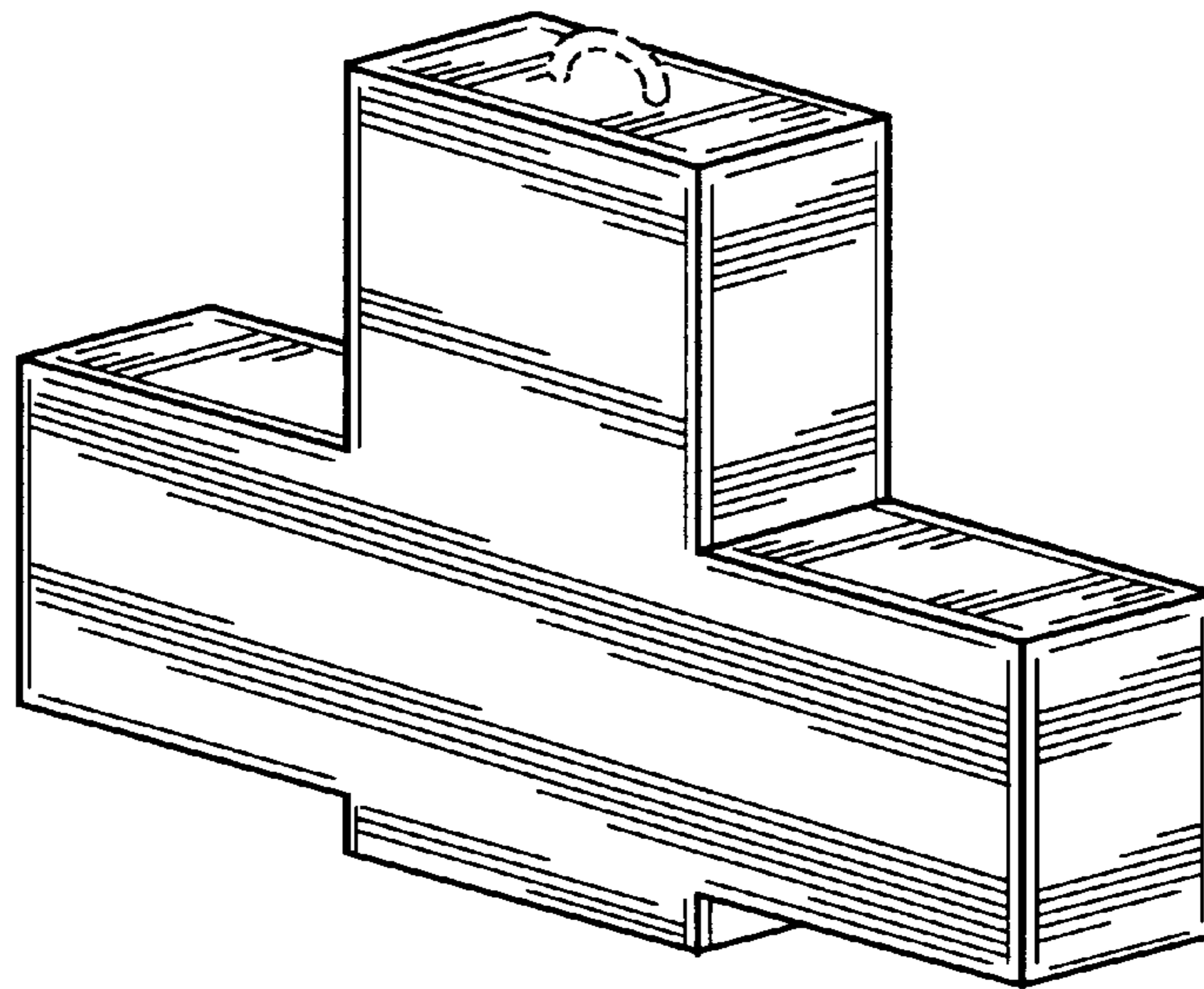


FIG. 8

FIG. 9



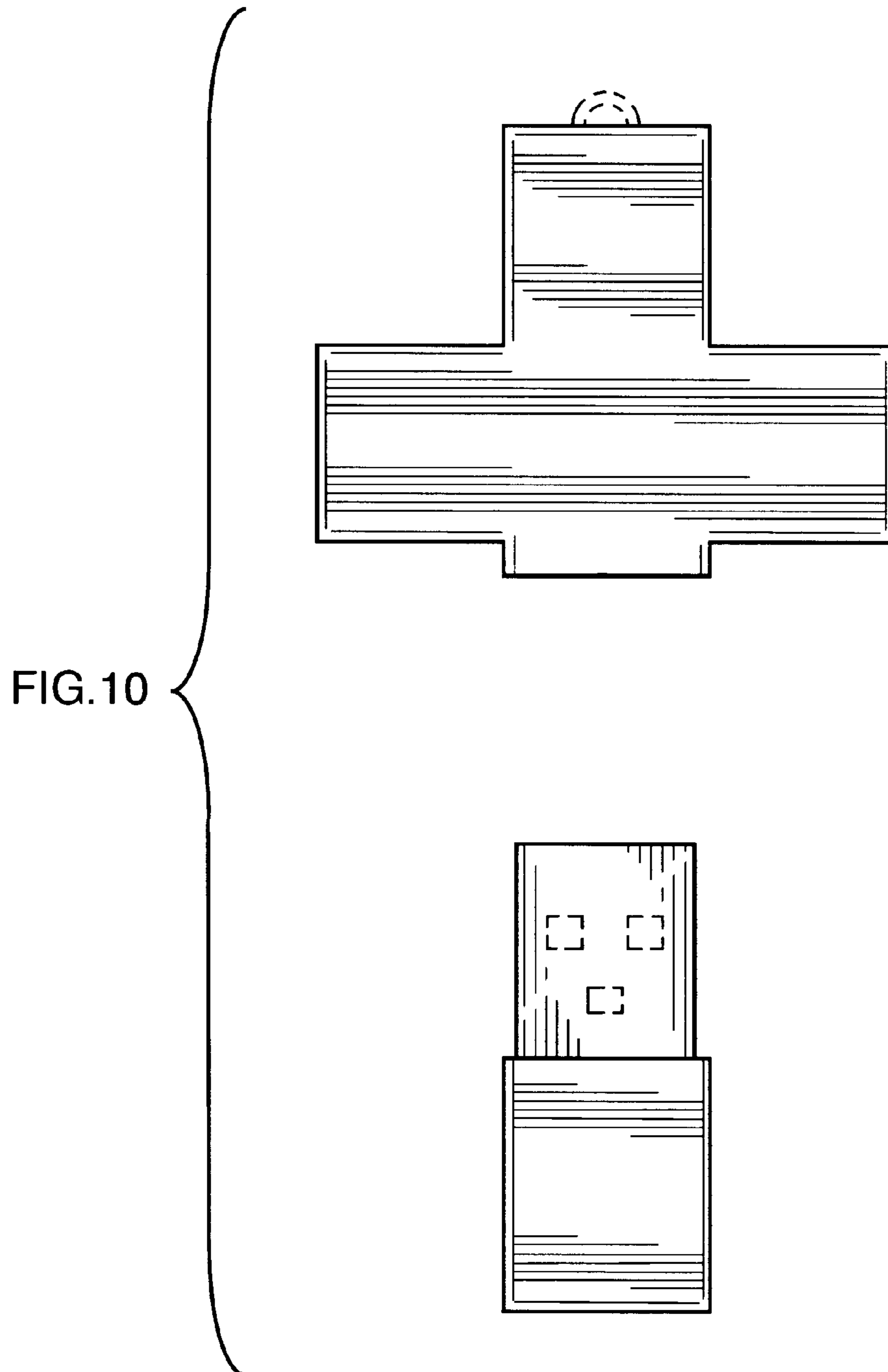
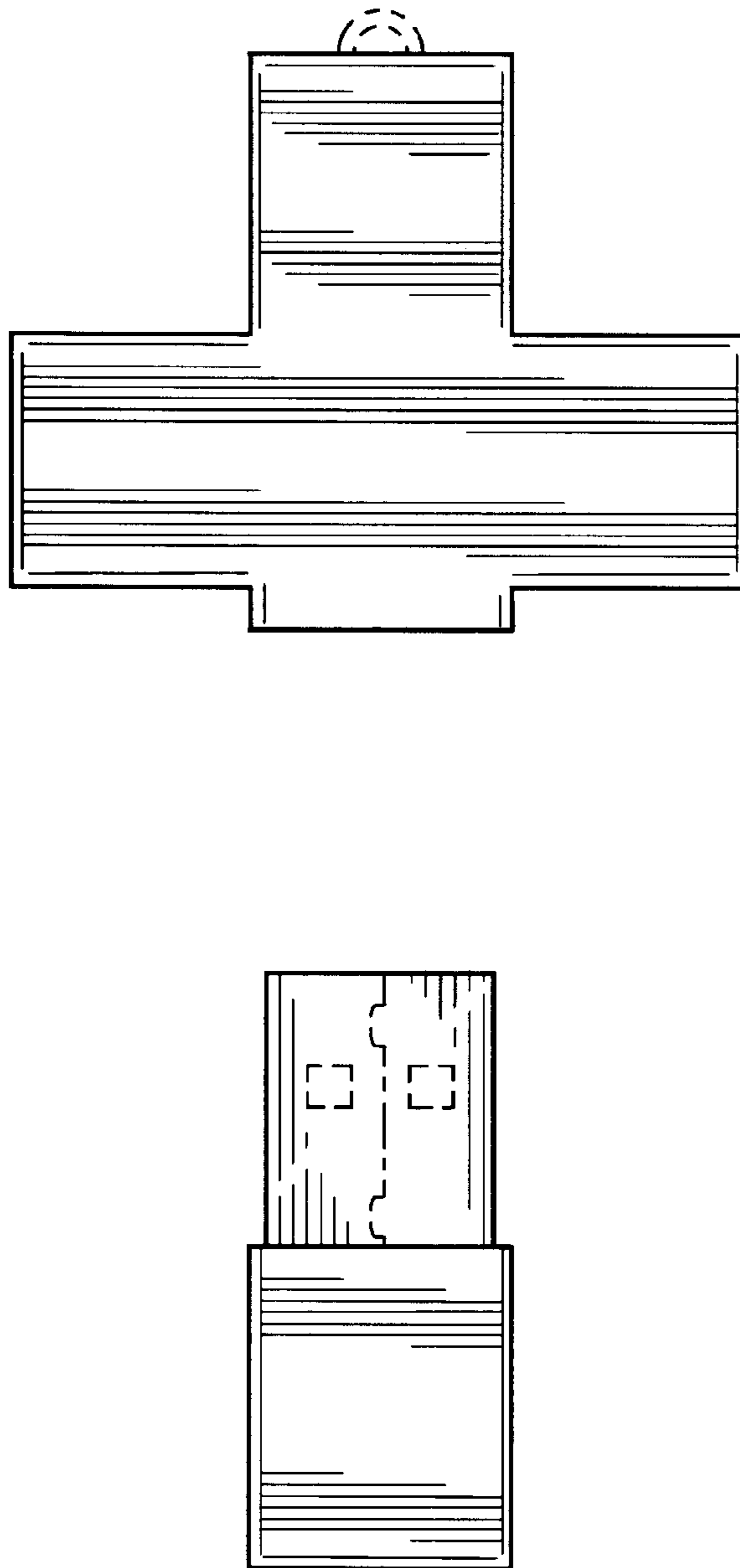


FIG.11



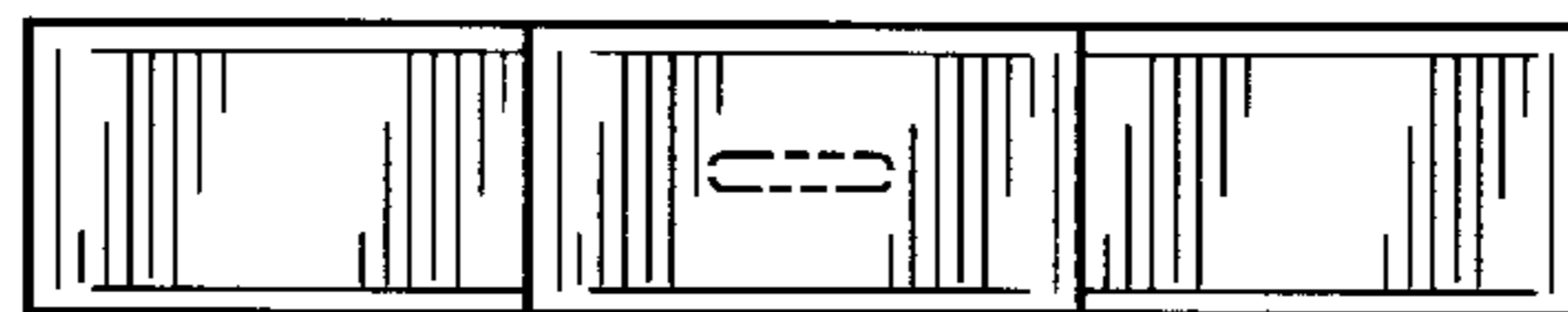
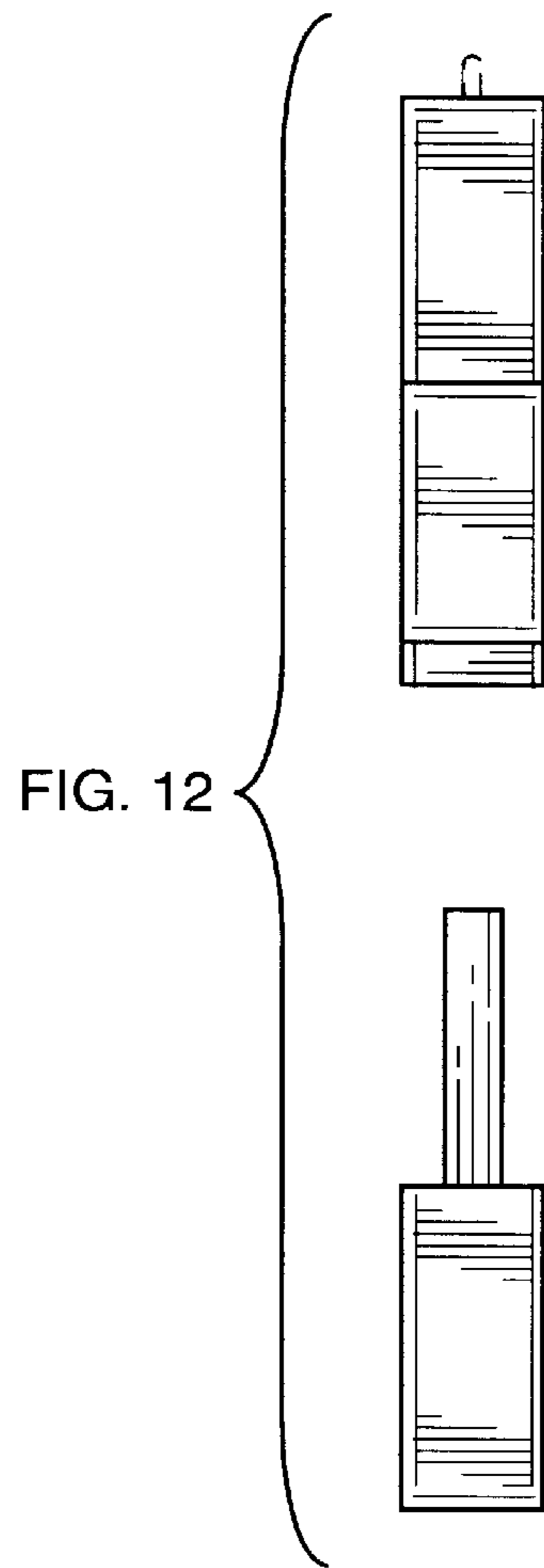


FIG. 13

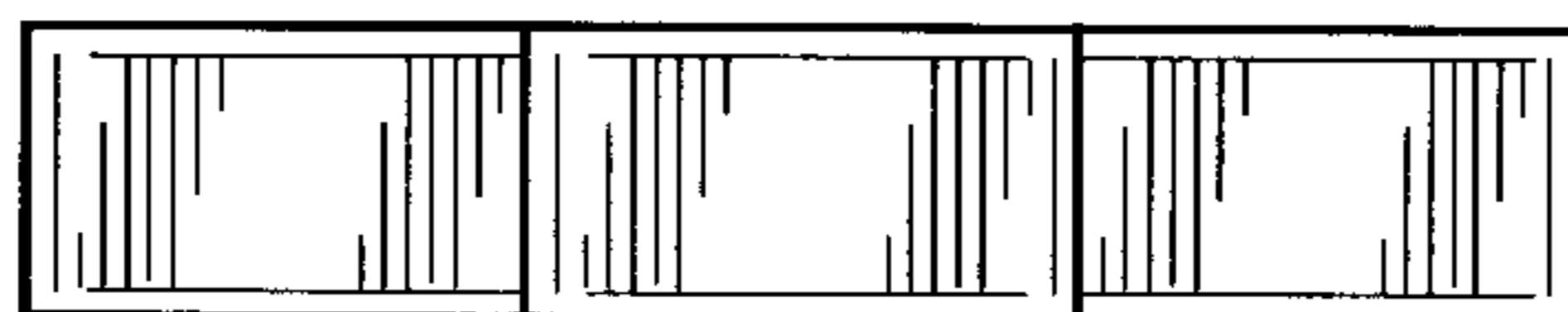


FIG. 14

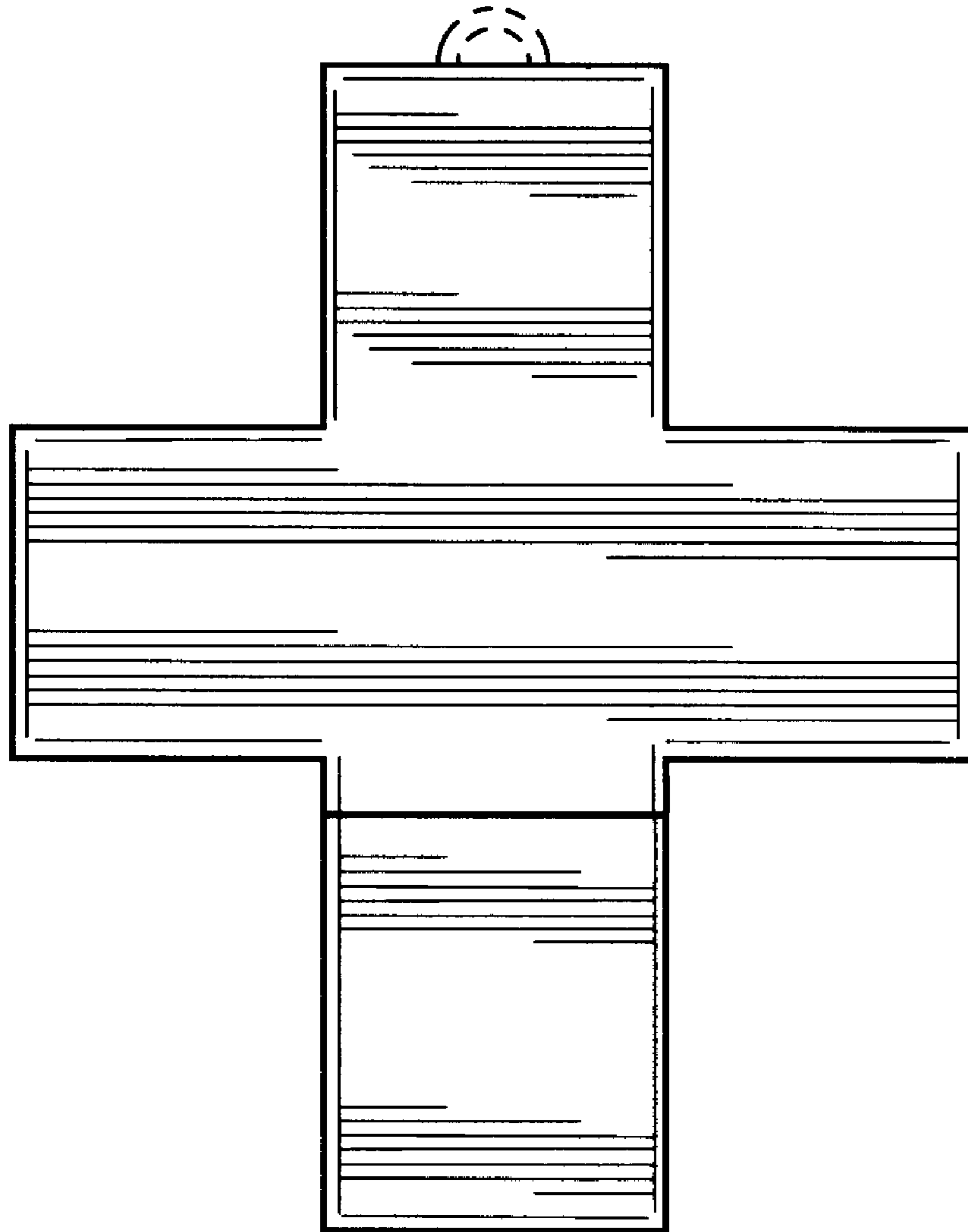


FIG. 15

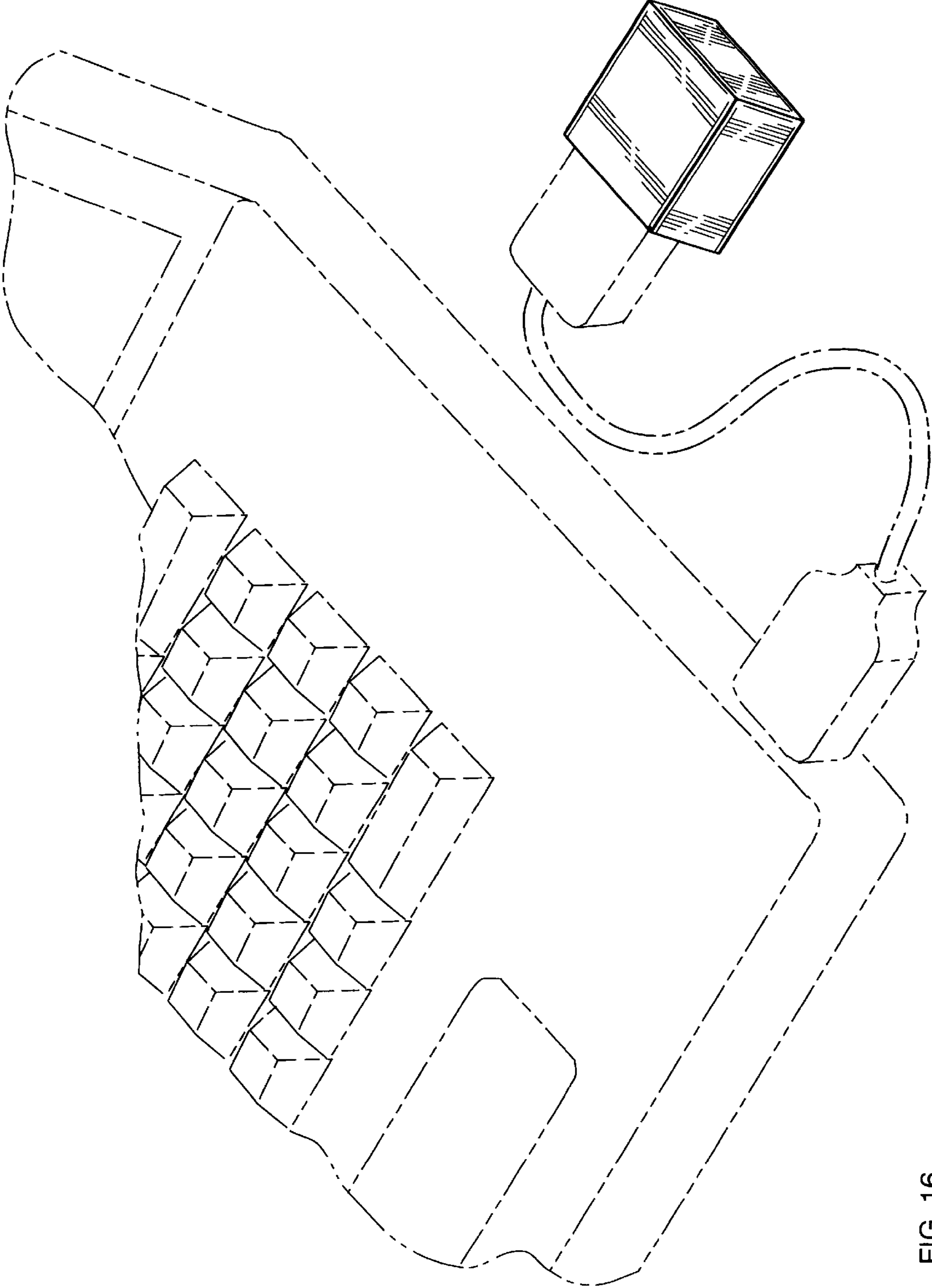


FIG. 16