



US00D538807S

(12) **United States Design Patent**  
**Fisher et al.**

(10) **Patent No.:** **US D538,807 S**

(45) **Date of Patent:** **\*\* Mar. 20, 2007**

(54) **PORTION OF AN ELECTRONIC MOUSE**

(75) Inventors: **Steven W. Fisher**, Kirkland, WA (US);  
**Robert M. Freed**, Kenmore, WA (US)

(73) Assignee: **Microsoft Corporation**, Redmond, WA (US)

(\*\*) Term: **14 Years**

(21) Appl. No.: **29/237,699**

(22) Filed: **Sep. 6, 2005**

(51) **LOC (8) Cl.** ..... **14-02**

(52) **U.S. Cl.** ..... **D14/402**

(58) **Field of Classification Search** ..... D14/402-410,  
D14/417; 200/5 A, 5 R, 6 A, 6 R; 273/148 B;  
74/471 XY; 345/156-167; 463/36-38  
See application file for complete search history.

(56) **References Cited**

**U.S. PATENT DOCUMENTS**

D460,072 S	*	7/2002	Sheehan	.....	D14/408
D464,652 S	*	10/2002	Roh	.....	D14/408
D467,925 S	*	12/2002	Hu et al.	.....	D14/408
D474,769 S	*	5/2003	Fisher et al.	.....	D14/408
D479,529 S	*	9/2003	Sheehan et al.	.....	D14/408
D488,157 S	*	4/2004	Fisher	.....	D14/408

D491,948 S	*	6/2004	Fisher	.....	D14/408
D491,949 S	*	6/2004	Su et al.	.....	D14/408
D504,133 S	*	4/2005	Canavan et al.	.....	D14/402
D514,106 S	*	1/2006	Pan	.....	D14/408
D528,118 S	*	9/2006	Canavan et al.	.....	D14/407

\* cited by examiner

*Primary Examiner*—Pamela J. Burgess

(74) *Attorney, Agent, or Firm*—Banner & Witcoff, Ltd.

(57) **CLAIM**

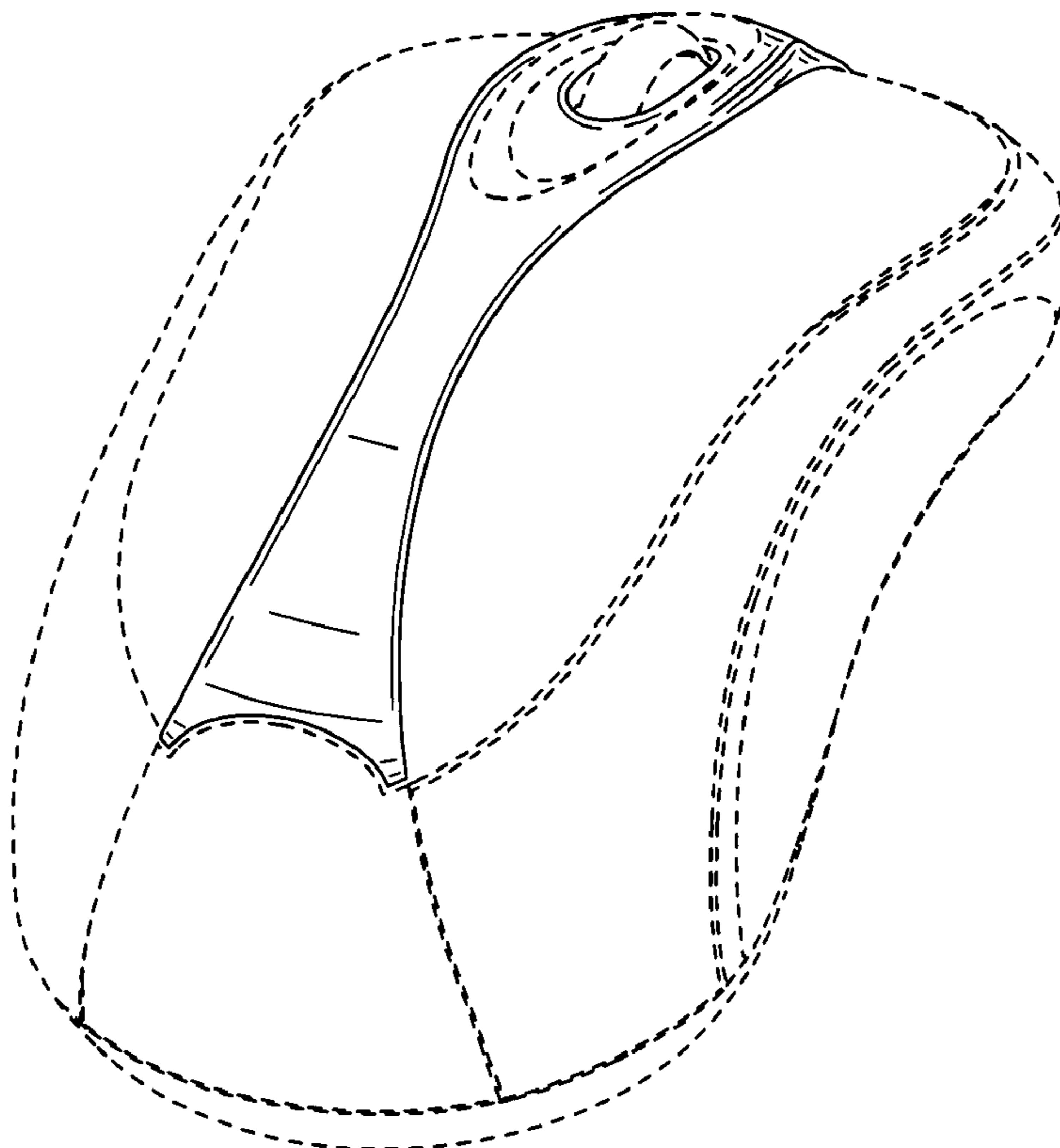
The ornamental design for a portion of an electronic mouse, as shown and described.

**DESCRIPTION**

FIG. 1 is a perspective view of a portion of an electronic mouse showing our new design; FIG. 2 is a front view thereof; FIG. 3 is a rear view thereof; FIG. 4 is a left side view thereof; FIG. 5 is a right side view thereof; FIG. 6 is a top view thereof; and, FIG. 7 is a bottom view thereof.

The broken line showings of portions of the electronic mouse, including the wheel well, side button and rear patch, are made for illustrative purposes only, and form no part of the claimed design.

**1 Claim, 5 Drawing Sheets**



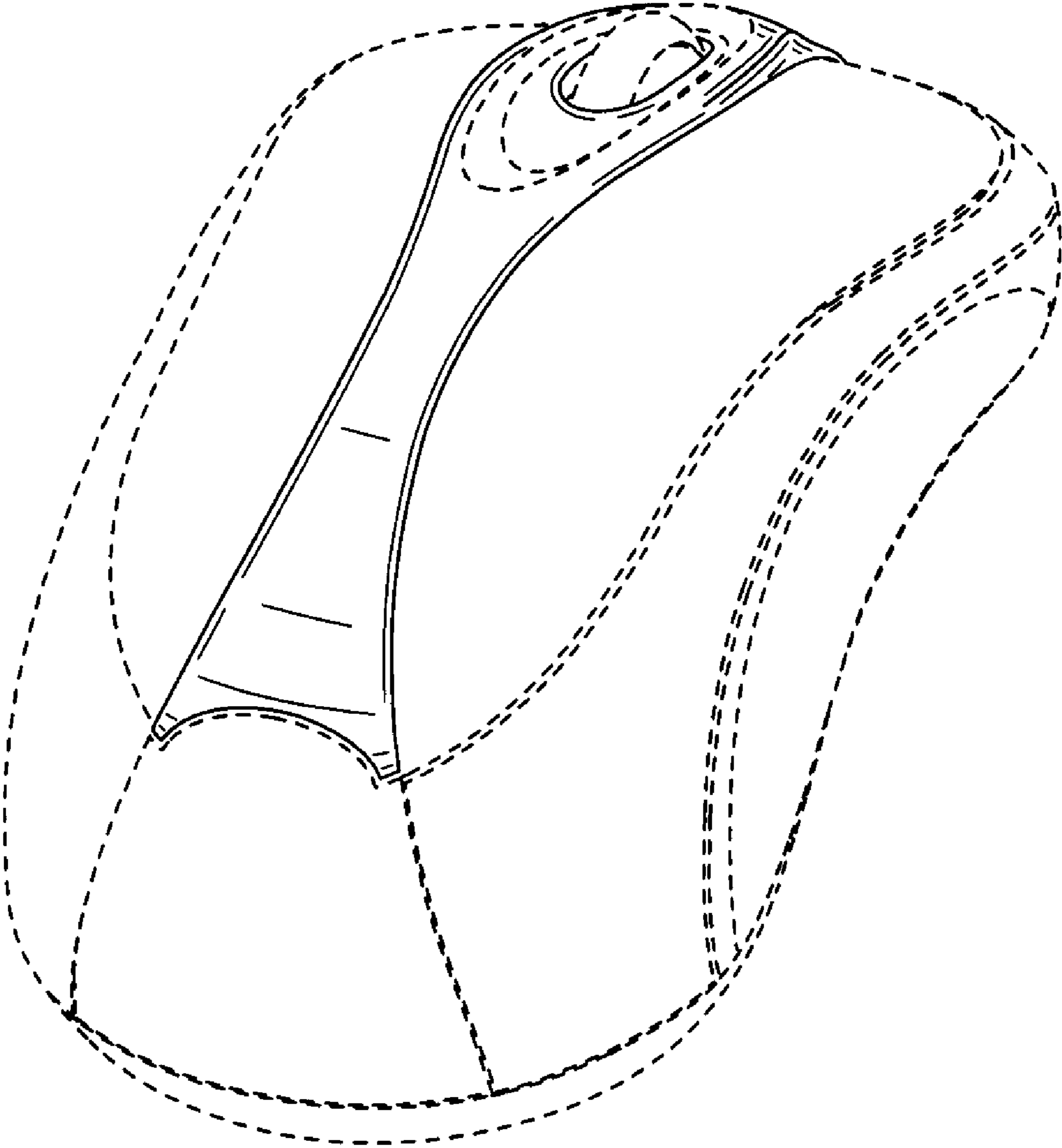


FIG. 1

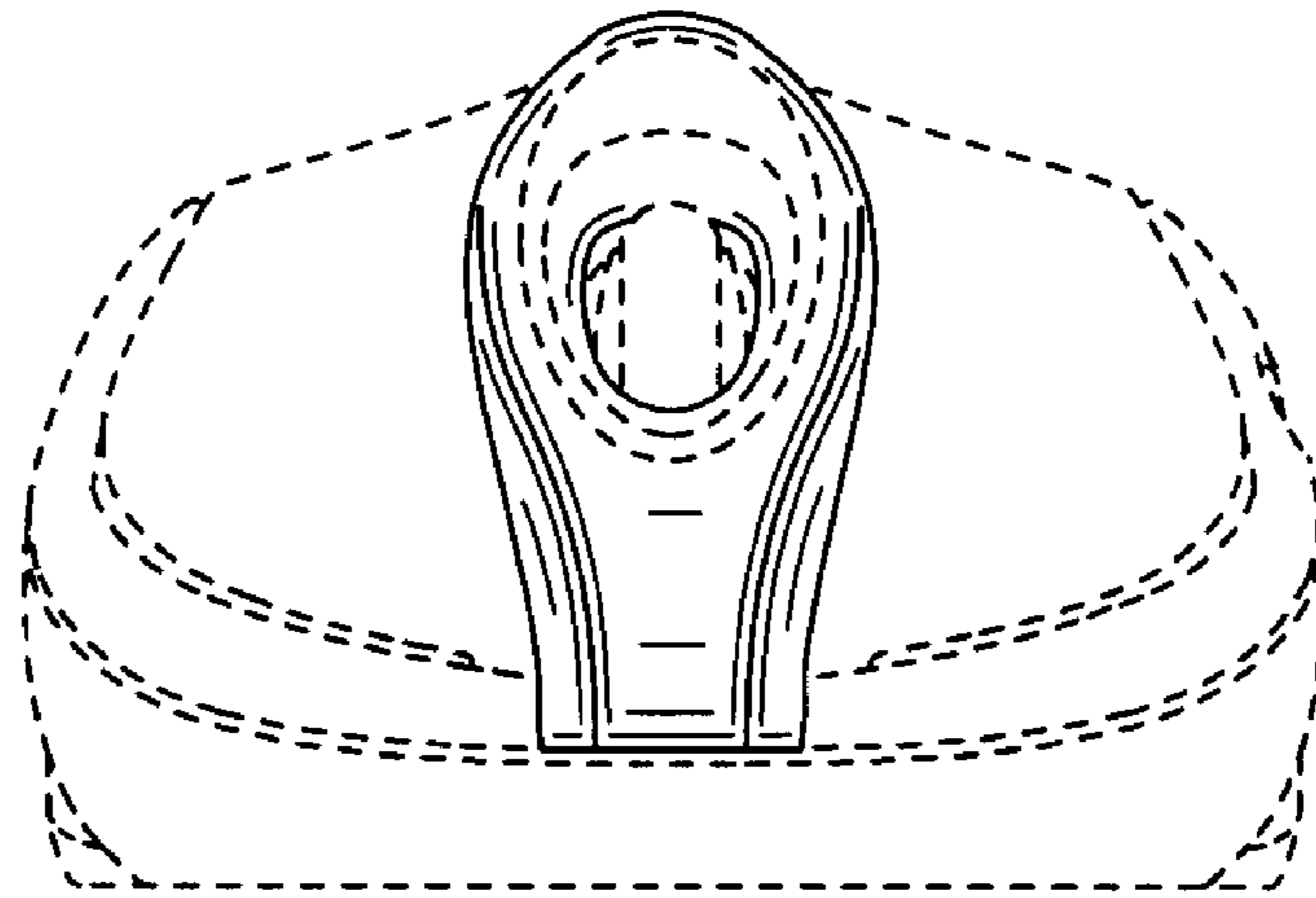


FIG. 2

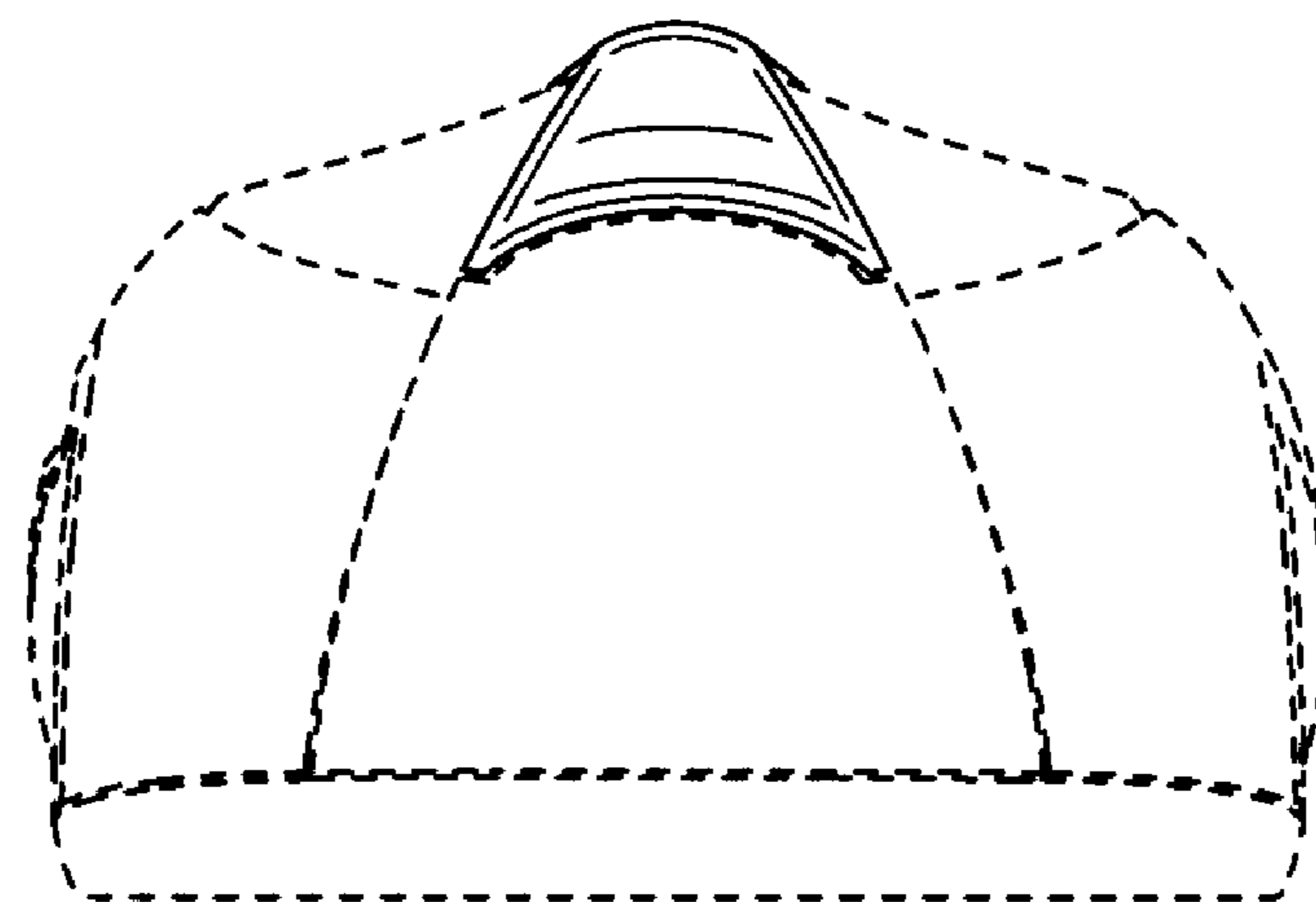


FIG. 3

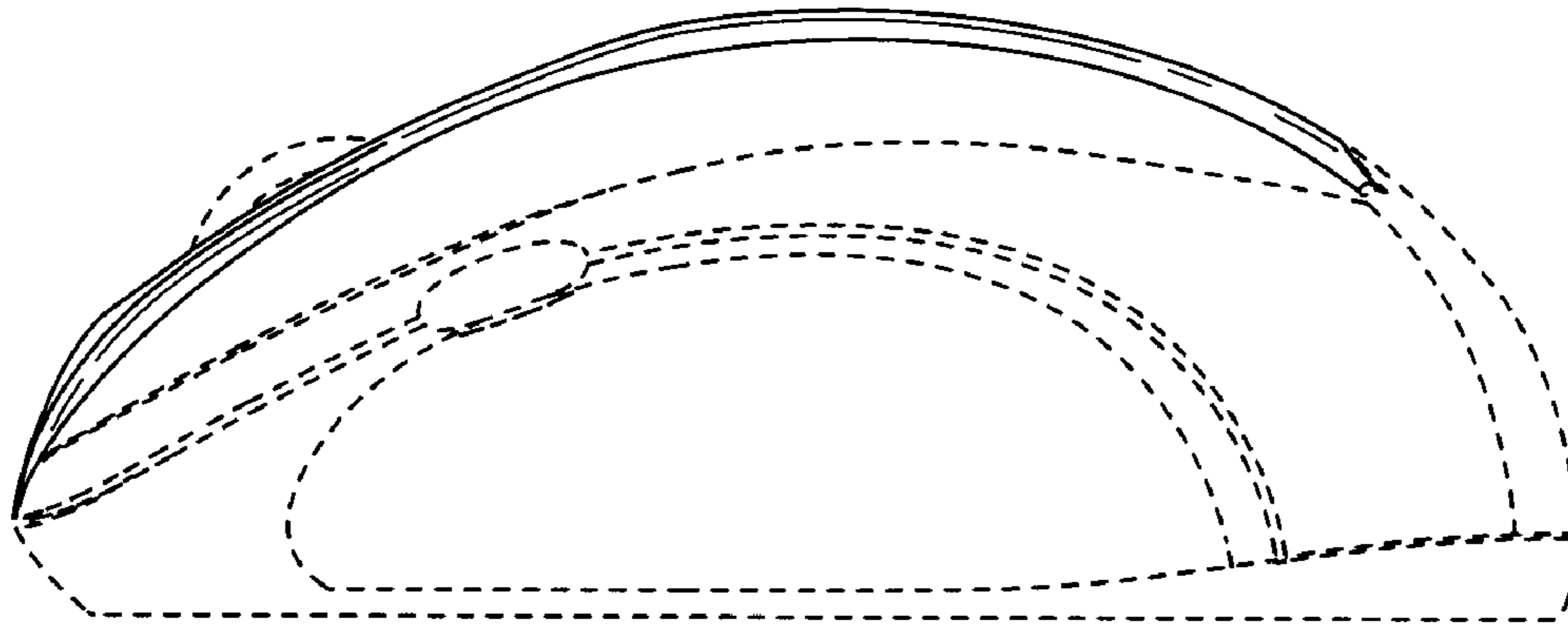


FIG. 4

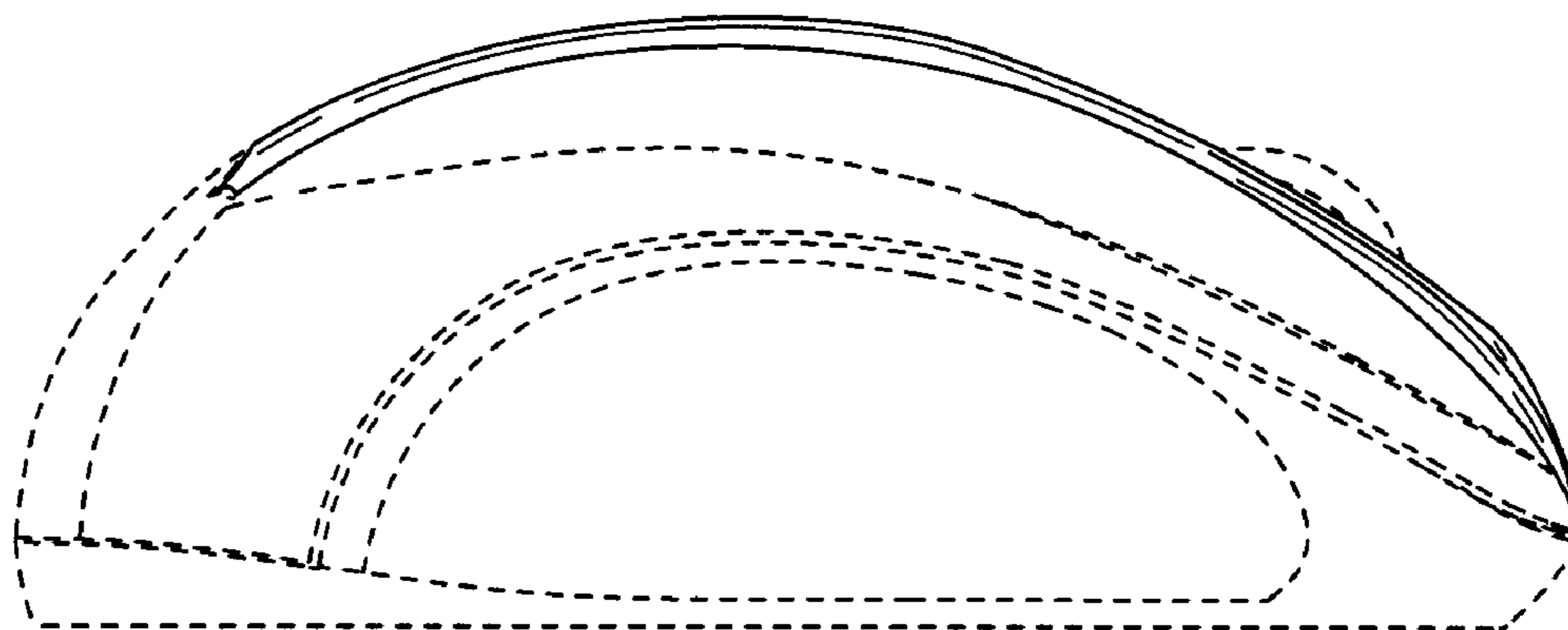


FIG. 5

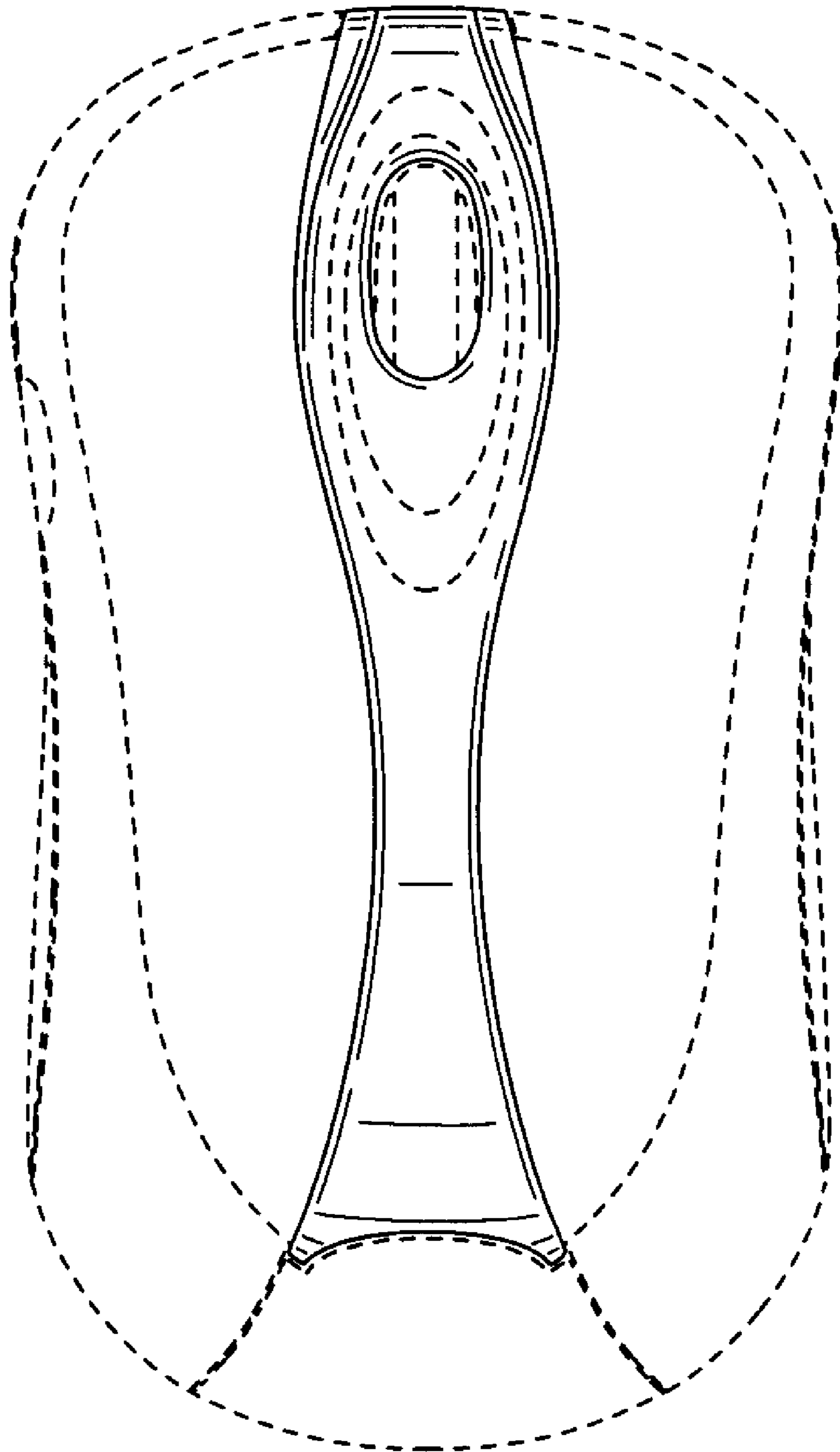


FIG. 6

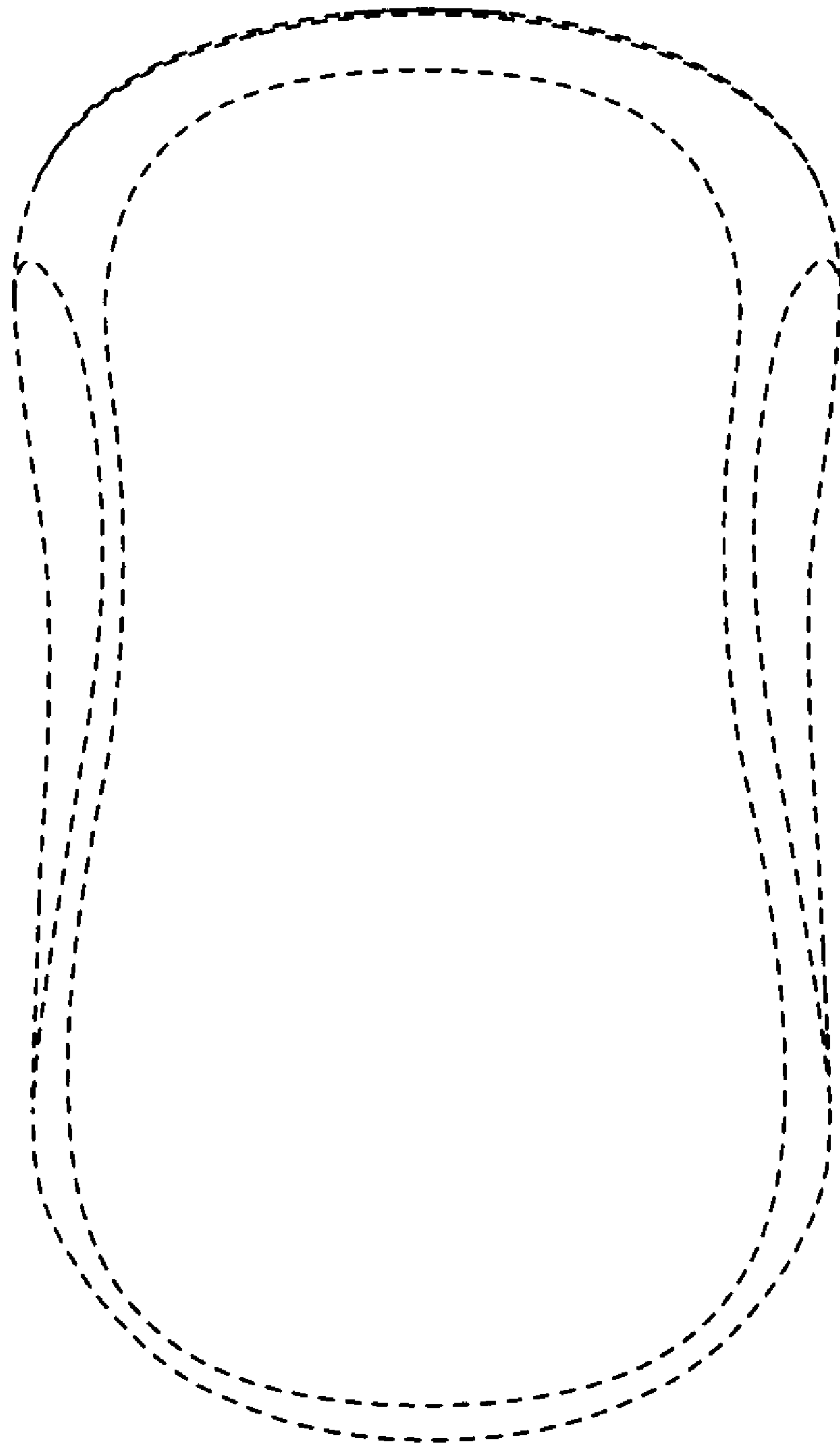


FIG. 7