



US00D538805S

(12) **United States Design Patent**  
**Takeda et al.**

(10) **Patent No.:** **US D538,805 S**  
(45) **Date of Patent:** **\*\* Mar. 20, 2007**

(54) **COVER PORTION FOR OPTICAL STORAGE MEDIA TRAY**

(75) Inventors: **Masatoshi Takeda**, Fukuoka (JP);  
**Katsumi Ichinose**, Fukuoka (JP);  
**Masayuki Shiwa**, Fukuoka (JP)

(73) Assignee: **Matsushita Electric Industrial Co., Ltd.**, Osaka (JP)

(\*\*) Term: **14 Years**

(21) Appl. No.: **29/255,587**

(22) Filed: **Mar. 9, 2006**

(30) **Foreign Application Priority Data**

Sep. 9, 2005 (JP) ..... 2005-026241

(51) **LOC (8) Cl.** ..... **14-02**

(52) **U.S. Cl.** ..... **D14/366**

(58) **Field of Classification Search** ..... D14/348,  
D14/125, 313, 358, 363, 365-9, 435, 260.1;  
D13/162, 182, 184, 199; 360/99.01-99.09,  
360/99.11, 99.12, 97.01; 361/690-1; 369/34.01,  
369/36.01; D6/407, 632

See application file for complete search history.

(56) **References Cited**

U.S. PATENT DOCUMENTS

D249,341 S \* 9/1978 Mertz ..... D13/199  
D276,527 S \* 11/1984 Flanigan ..... D14/435  
D281,658 S \* 12/1985 Kikutani ..... D6/407  
4,683,506 A \* 7/1987 Toldi et al. .... 360/99.06  
D337,998 S \* 8/1993 Inayama et al. .... D14/367

5,515,213 A \* 5/1996 Elliott ..... 360/92  
D372,022 S 7/1996 Sawada et al.  
D382,863 S \* 8/1997 Horiuchi et al. .... D14/366  
D400,509 S \* 11/1998 Brunelle ..... D13/162  
D432,095 S \* 10/2000 Seeger et al. .... D13/182  
D470,498 S \* 2/2003 Argumedo et al. .... D14/435  
D478,588 S \* 8/2003 Watanabe et al. .... D14/366  
2002/0114106 A1 \* 8/2002 Kohyama et al. .... 360/99.06  
2003/0223346 A1 \* 12/2003 Eguchi ..... 369/75.2

FOREIGN PATENT DOCUMENTS

JP D1046029 8/1999  
JP D1198541 3/2004

\* cited by examiner

*Primary Examiner*—Robin Webster

*Assistant Examiner*—Karen E. Patterson

(74) *Attorney, Agent, or Firm*—Brinks Hofer Gilson & Lione

(57) **CLAIM**

We claim the ornamental design for a cover portion for optical storage media tray, as shown and described.

**DESCRIPTION**

FIG. 1 is a bottom perspective view of a cover portion for optical storage media tray showing our new design of the present invention in an open position; and, FIG. 2 is a bottom view thereof in a closed position. The ornamental design which is claimed is shown in solid lines in the drawings. Any broken lines in the drawings are for illustrative purposes only and form no part of the claimed design.

**1 Claim, 1 Drawing Sheet**

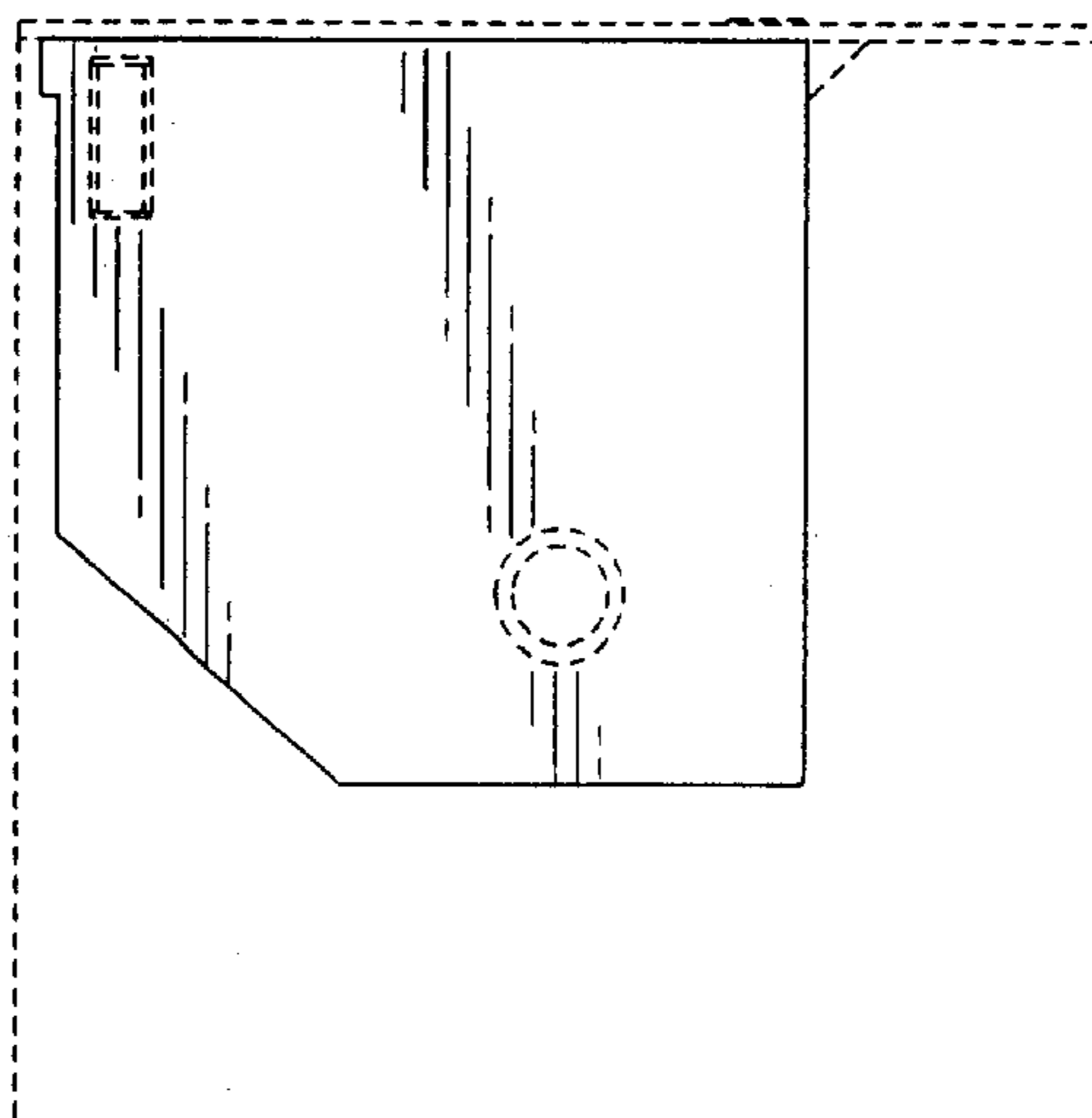


FIG.1

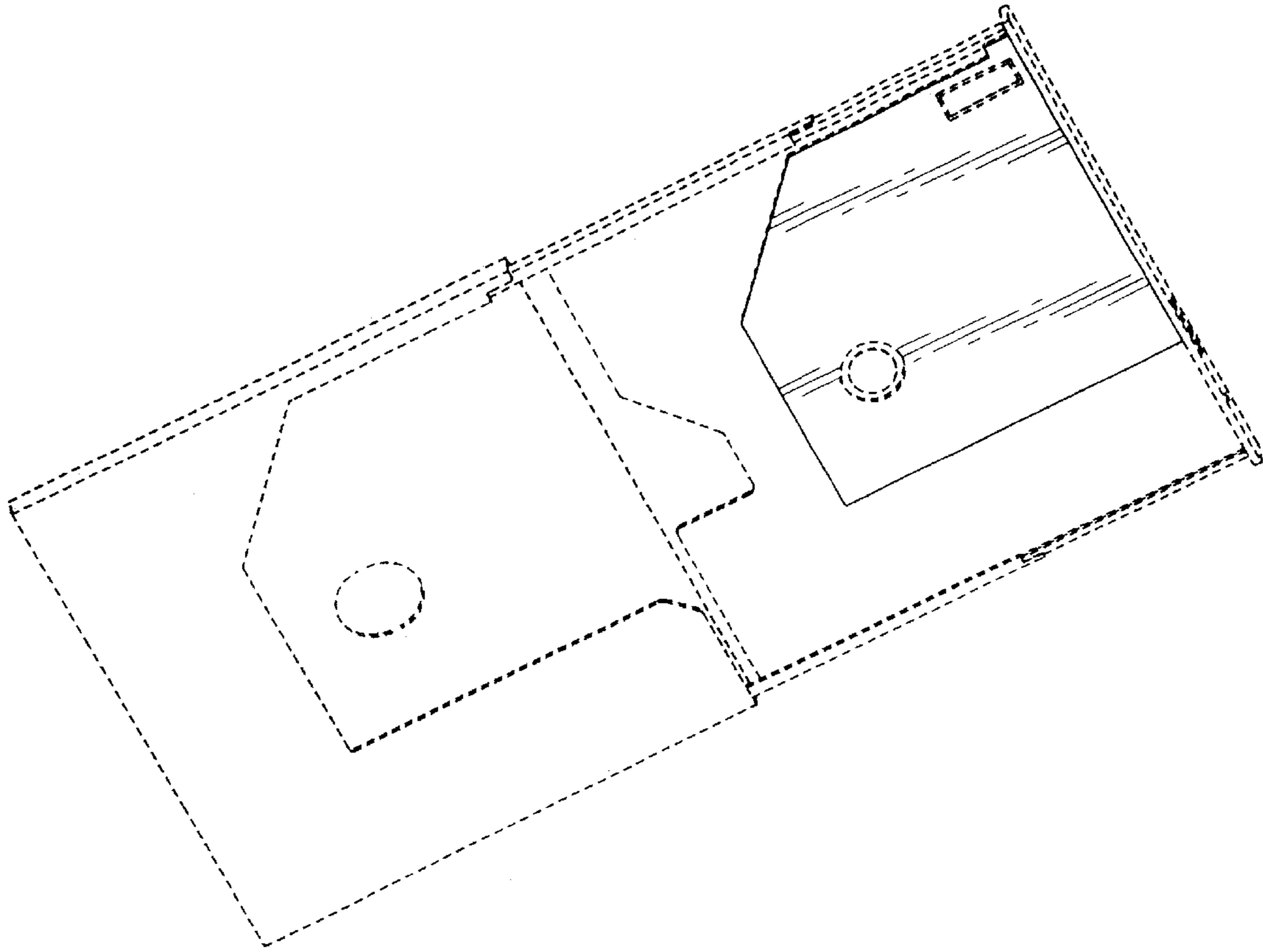


FIG.2

