



US00D538803S

(12) **United States Design Patent**  
**Chen et al.**

(10) **Patent No.:** **US D538,803 S**

(45) **Date of Patent:** **\*\* Mar. 20, 2007**

(54) **COMPUTER ENCLOSURE**

(75) Inventors: **Yun-Lung Chen**, Tu-Cheng (TW); **Qun Wang**, Shen-Zhen (CN)

(73) Assignee: **Hon Hai Precision Ind. Co., Ltd.**,  
Taipei Hsien (TW)

(\*\*) Term: **14 Years**

(21) Appl. No.: **29/245,606**

(22) Filed: **Dec. 27, 2005**

(30) **Foreign Application Priority Data**

Oct. 7, 2005 (CN) ..... 200530071642

(51) **LOC (8) Cl.** ..... **14-02**

(52) **U.S. Cl.** ..... **D14/348**

(58) **Field of Classification Search** ..... D14/314,  
D14/348, 361-363, 368, 356, 300; D13/162,  
D13/184, 199; 312/223.1-223.3; 360/99.01-99.12;  
361/680-686, 690-696

See application file for complete search history.

(56) **References Cited**

**U.S. PATENT DOCUMENTS**

D383,446 S \* 9/1997 Han ..... D14/348

D425,494 S \* 5/2000 Okonogi et al. .... D14/348  
D447,746 S \* 9/2001 Tonozuka et al. .... D14/356  
D471,193 S \* 3/2003 Chen et al. .... D14/348

\* cited by examiner

*Primary Examiner*—Freda S. Nunn

(74) *Attorney, Agent, or Firm*—Wei Te Chung

(57) **CLAIM**

The ornamental design for a computer enclosure, as shown and described.

**DESCRIPTION**

FIG. 1 is a perspective view of a computer enclosure of our new design;

FIG. 2 is a front elevational view thereof;

FIG. 3 is a rear elevational view thereof;

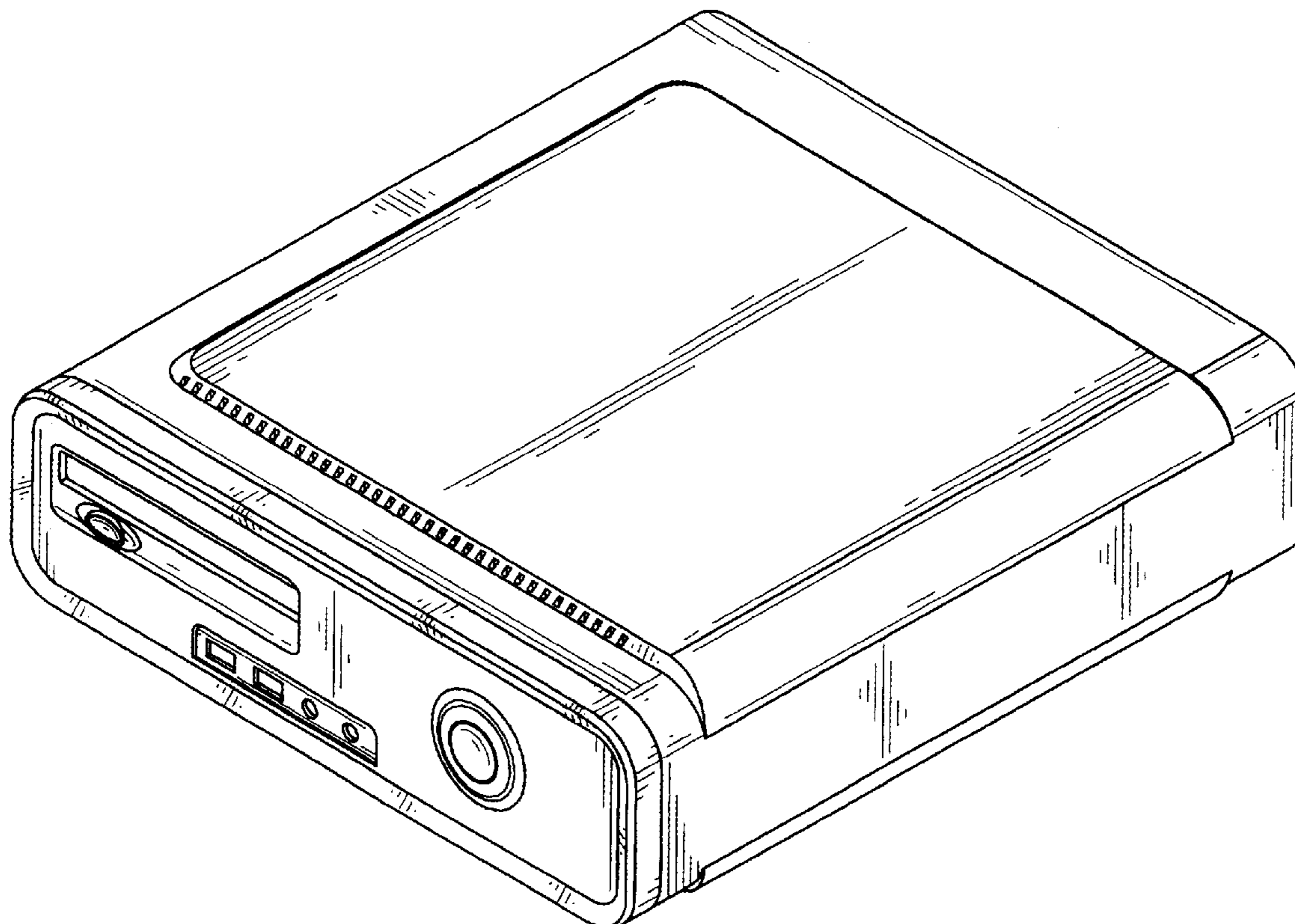
FIG. 4 is a left side elevational view thereof;

FIG. 5 is a right side elevational view thereof;

FIG. 6 is a top plan view thereof; and,

FIG. 7 is a bottom plan view thereof.

**1 Claim, 5 Drawing Sheets**



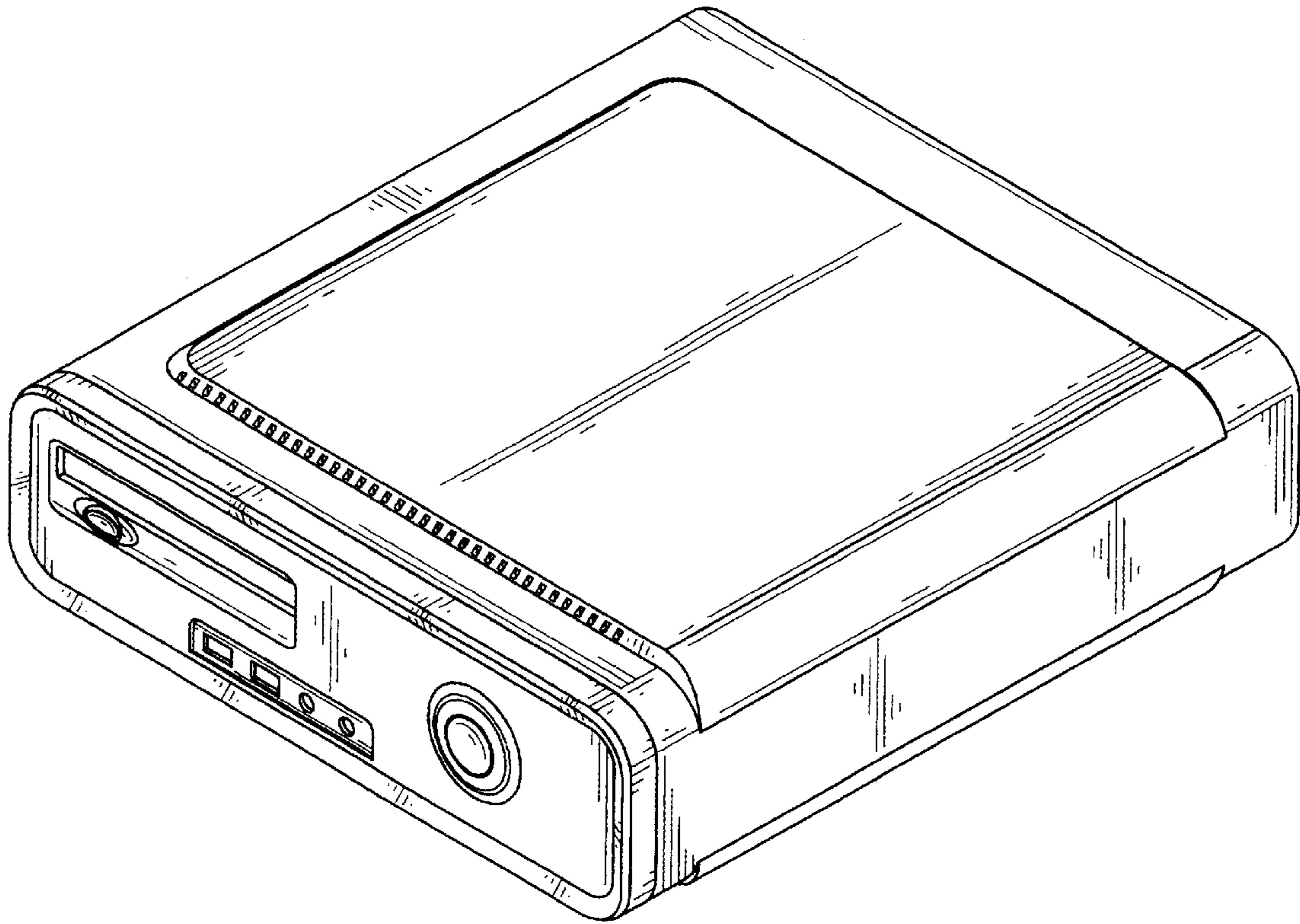


FIG. 1

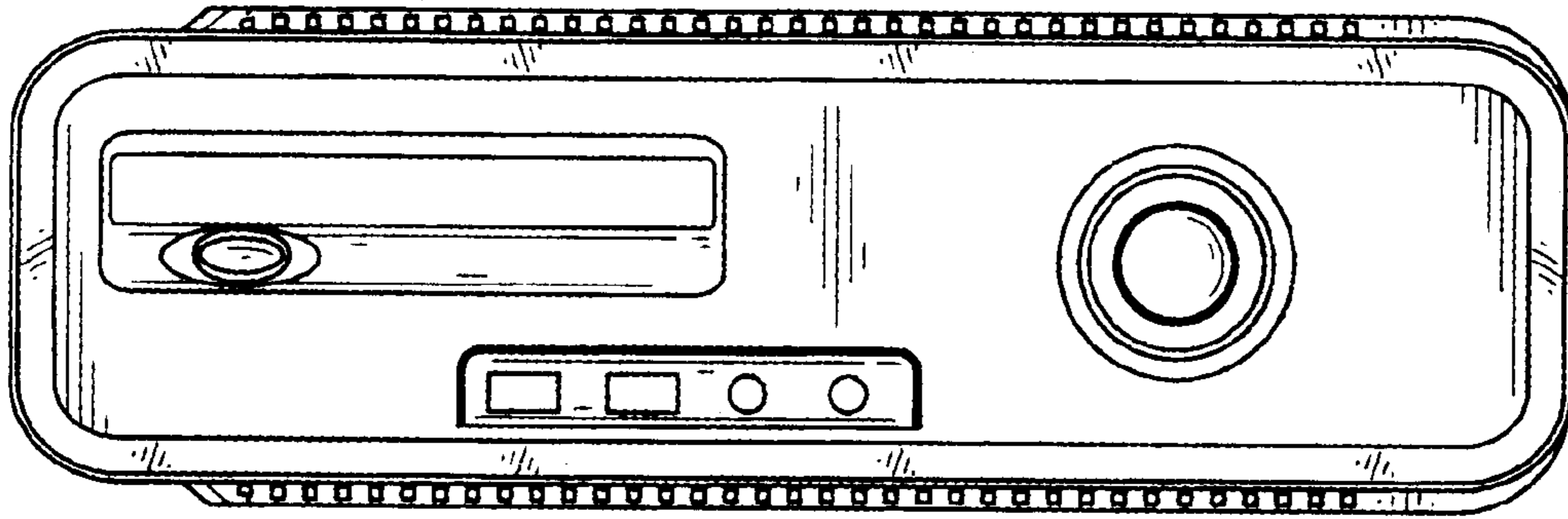


FIG. 2

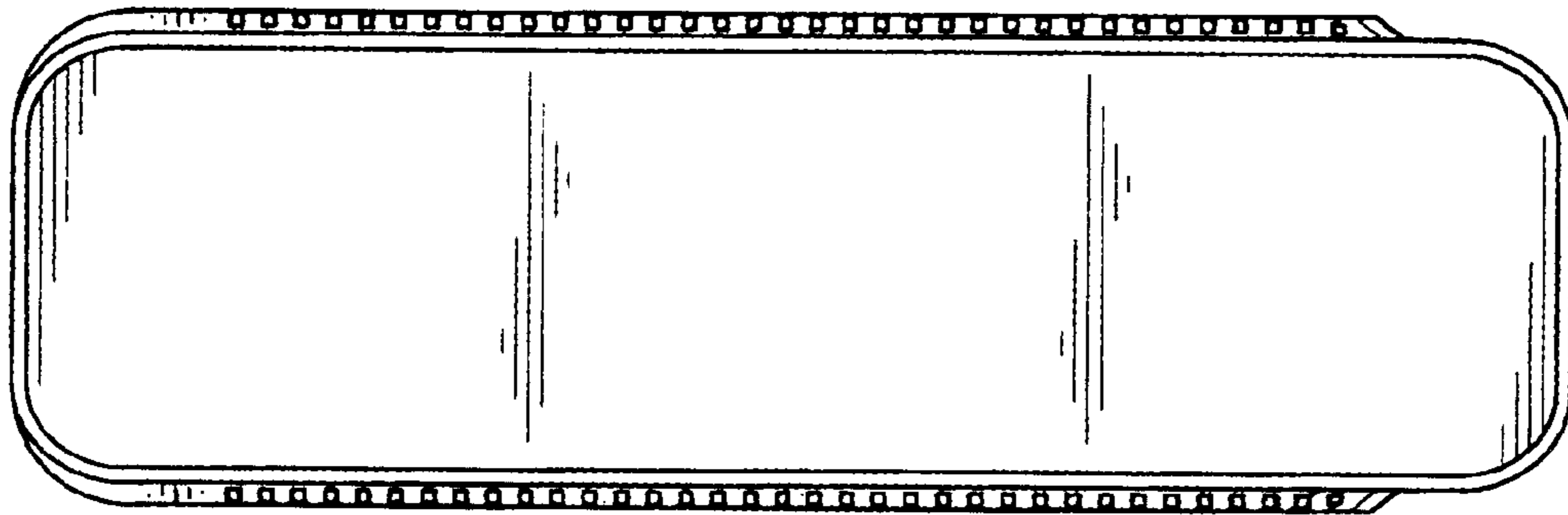


FIG. 3

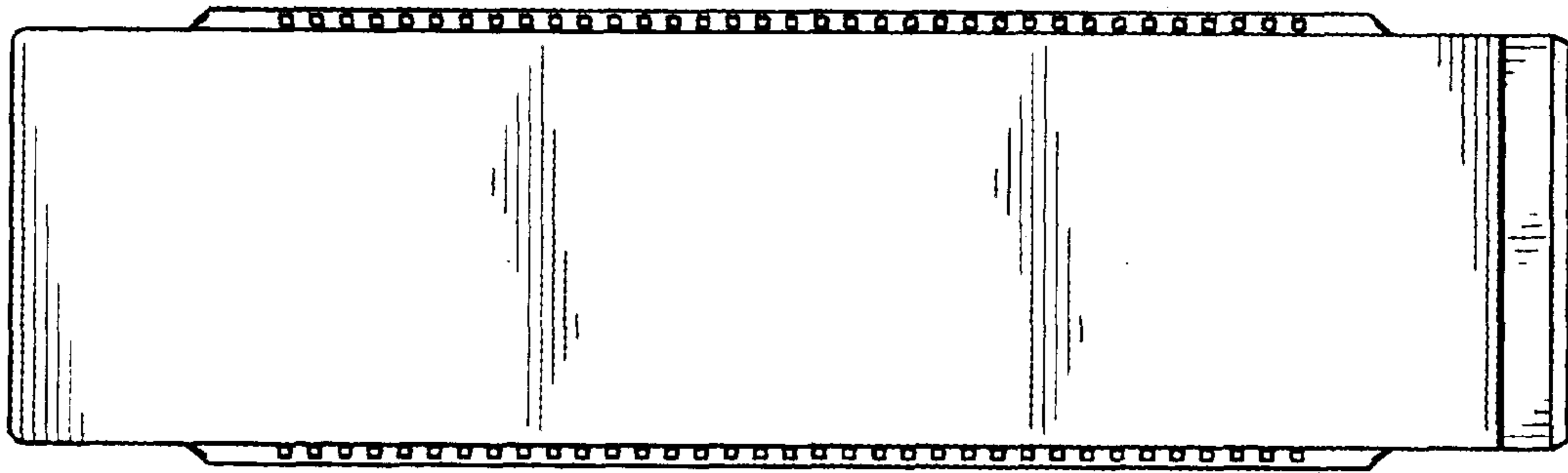


FIG. 4

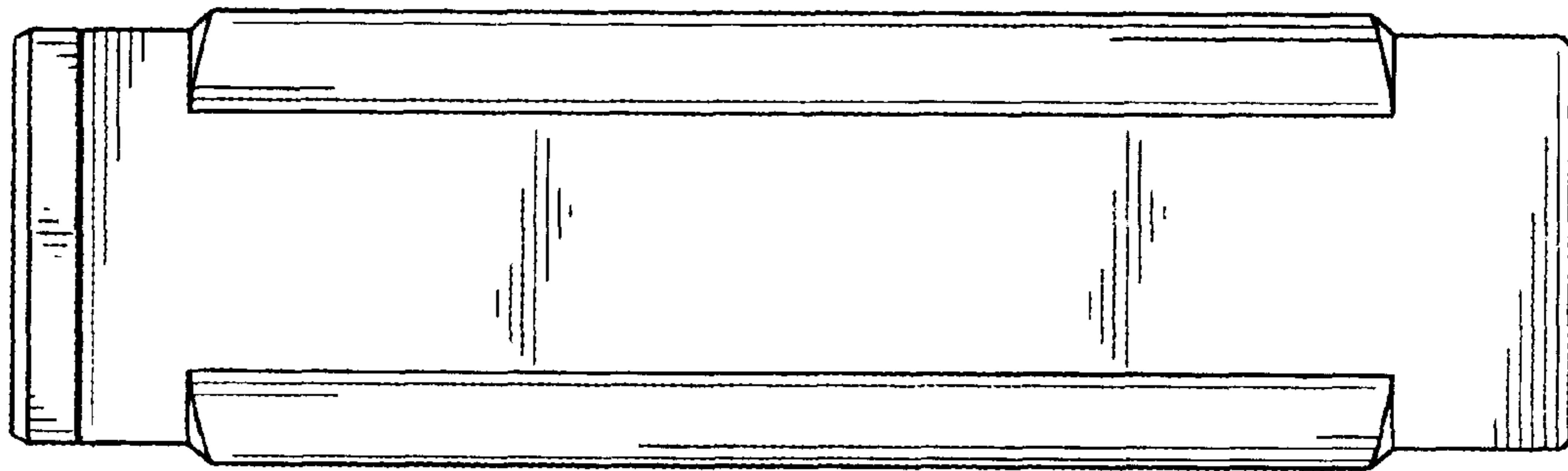


FIG. 5

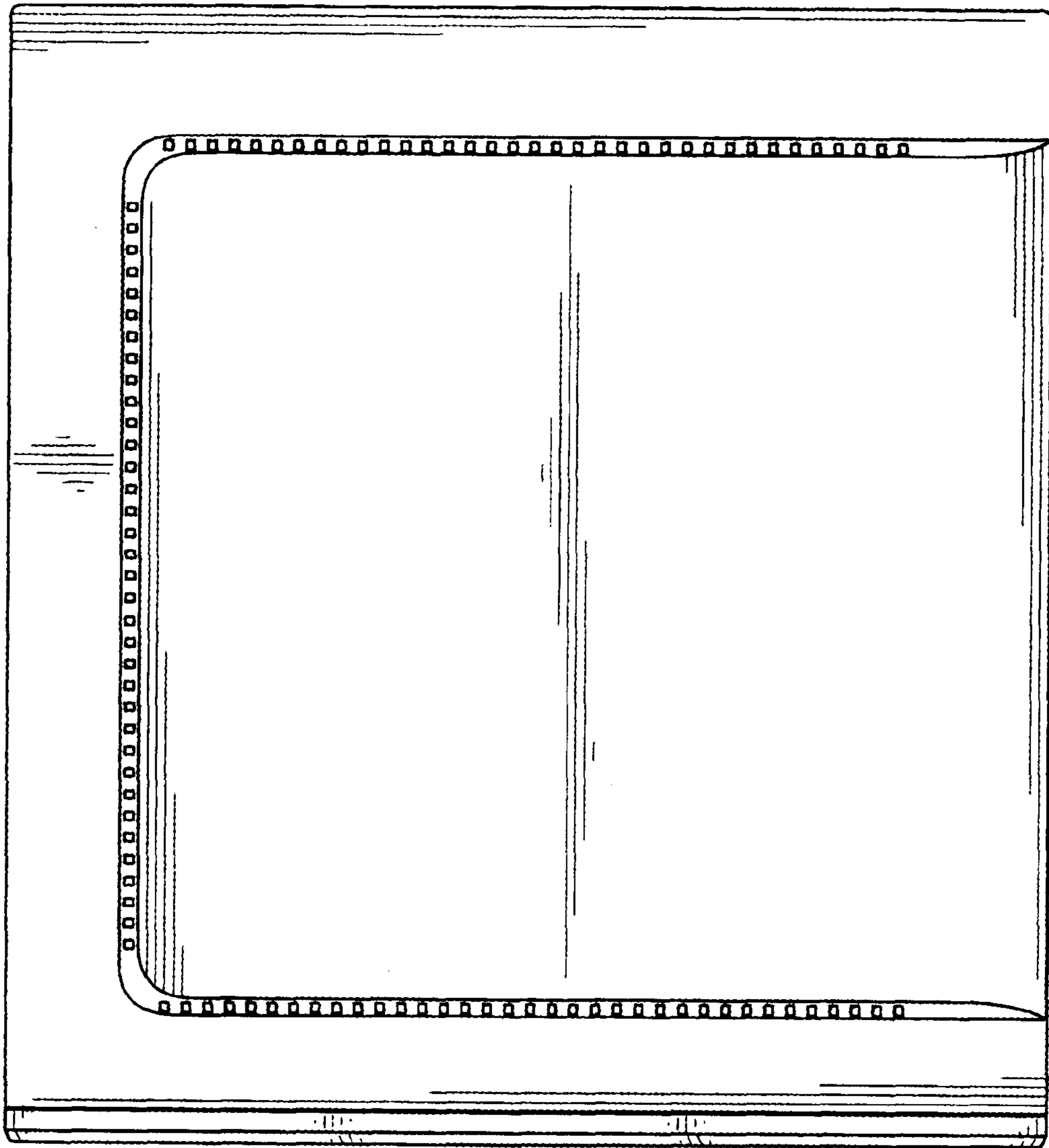


FIG. 6



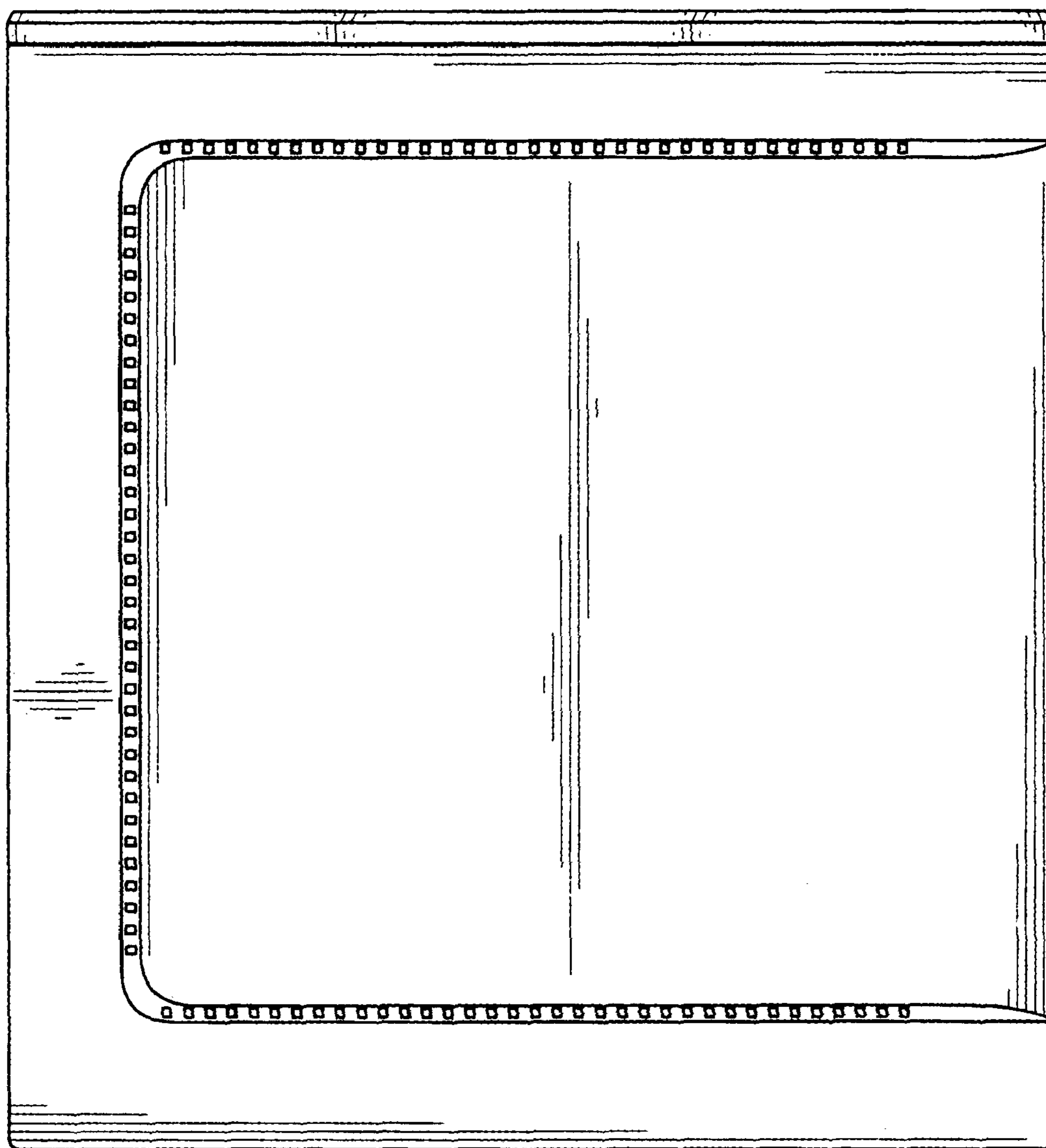


FIG. 7