



US00D538801S

(12) **United States Design Patent**
Taylor

(10) **Patent No.:** **US D538,801 S**

(45) **Date of Patent:** **** Mar. 20, 2007**

(54) **TABLET COMPUTER ENCLOSURE**

(76) **Inventor:** **Alan R. Taylor**, 34655 E. State Road
70, Myakka City, FL (US) 34251

(**) **Term:** **14 Years**

(21) **Appl. No.:** **29/229,632**

(22) **Filed:** **May 10, 2005**

(51) **LOC (8) Cl.** **14-02**

(52) **U.S. Cl.** **D14/341; D14/371**

(58) **Field of Classification Search** D14/341-346,
D14/371, 125-129, 132; D19/26, 59, 60;
345/104, 156, 168, 173, 179, 672; 178/18.03;
349/12; 434/307 R, 308, 309, 317; D21/329;
33/443; 348/837

See application file for complete search history.

(56) **References Cited**

U.S. PATENT DOCUMENTS

4,611,406 A * 9/1986 Engstrom et al. 33/443
4,997,374 A * 3/1991 Simone 434/317
D363,511 S * 10/1995 Hui D21/329
5,695,345 A * 12/1997 Weiner et al. 434/317

D430,545 S * 9/2000 Rosen D14/132

D489,066 S * 4/2004 Tsai D14/371

D493,787 S * 8/2004 Avery D14/345

2002/0149708 A1 * 10/2002 Nagata et al. 348/837

2005/0026128 A1 * 2/2005 Wood et al. 434/317

2005/0048457 A1 * 3/2005 Ferrigno et al. 434/308

* cited by examiner

Primary Examiner—Freda S. Nunn

(74) *Attorney, Agent, or Firm*—Charles J. Prescott

(57) **CLAIM**

The ornamental design for a tablet computer enclosure, as shown and described.

DESCRIPTION

FIG. 1 is an upper perspective view of a tablet computer enclosure showing my new design;

FIG. 2 is a front elevation view thereof;

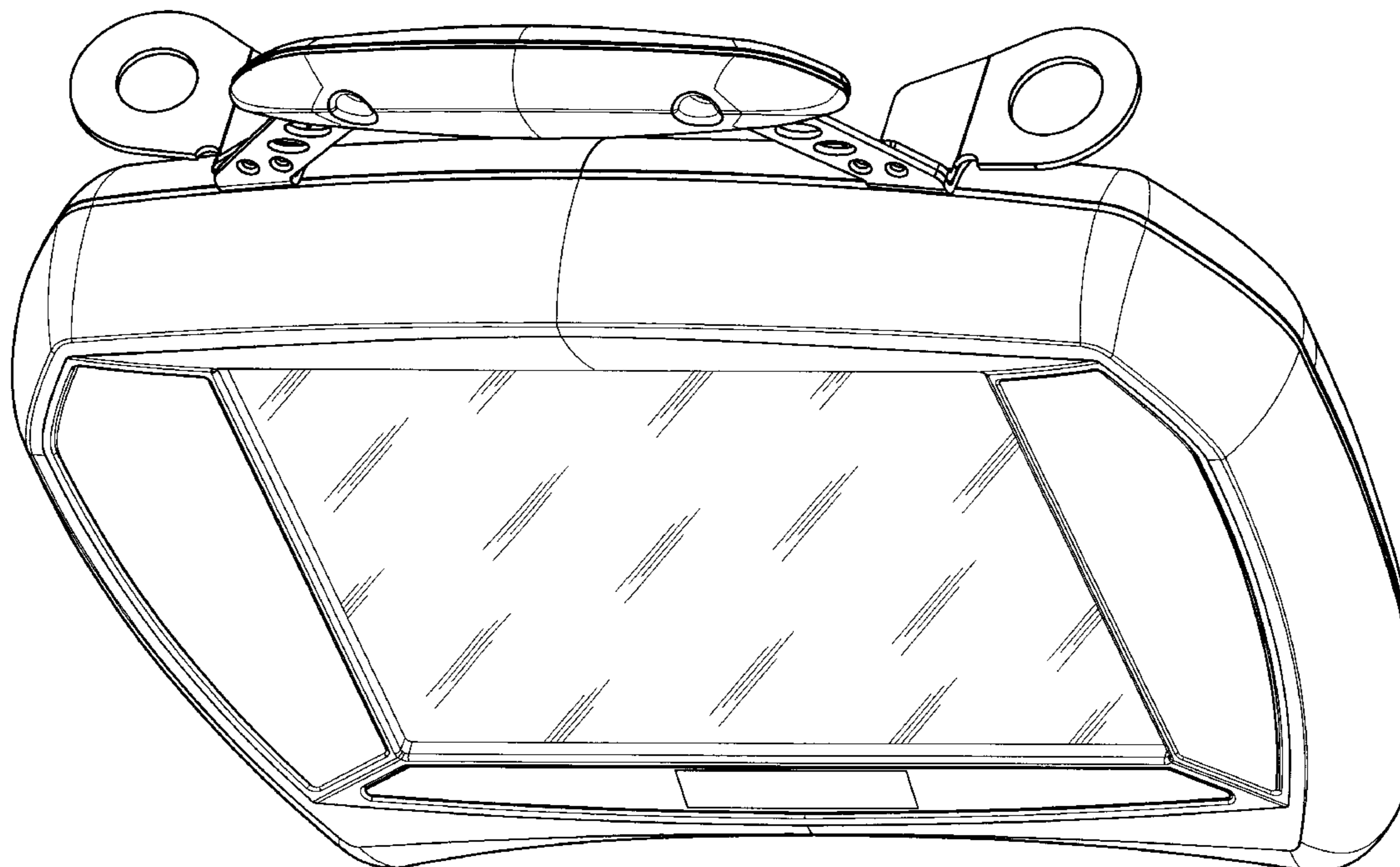
FIG. 3 is a bottom view thereof;

FIG. 4 is a right side elevation view thereof;

FIG. 5 is a rear elevation view thereof; and,

FIG. 6 is a left side elevation view thereof.

1 Claim, 3 Drawing Sheets



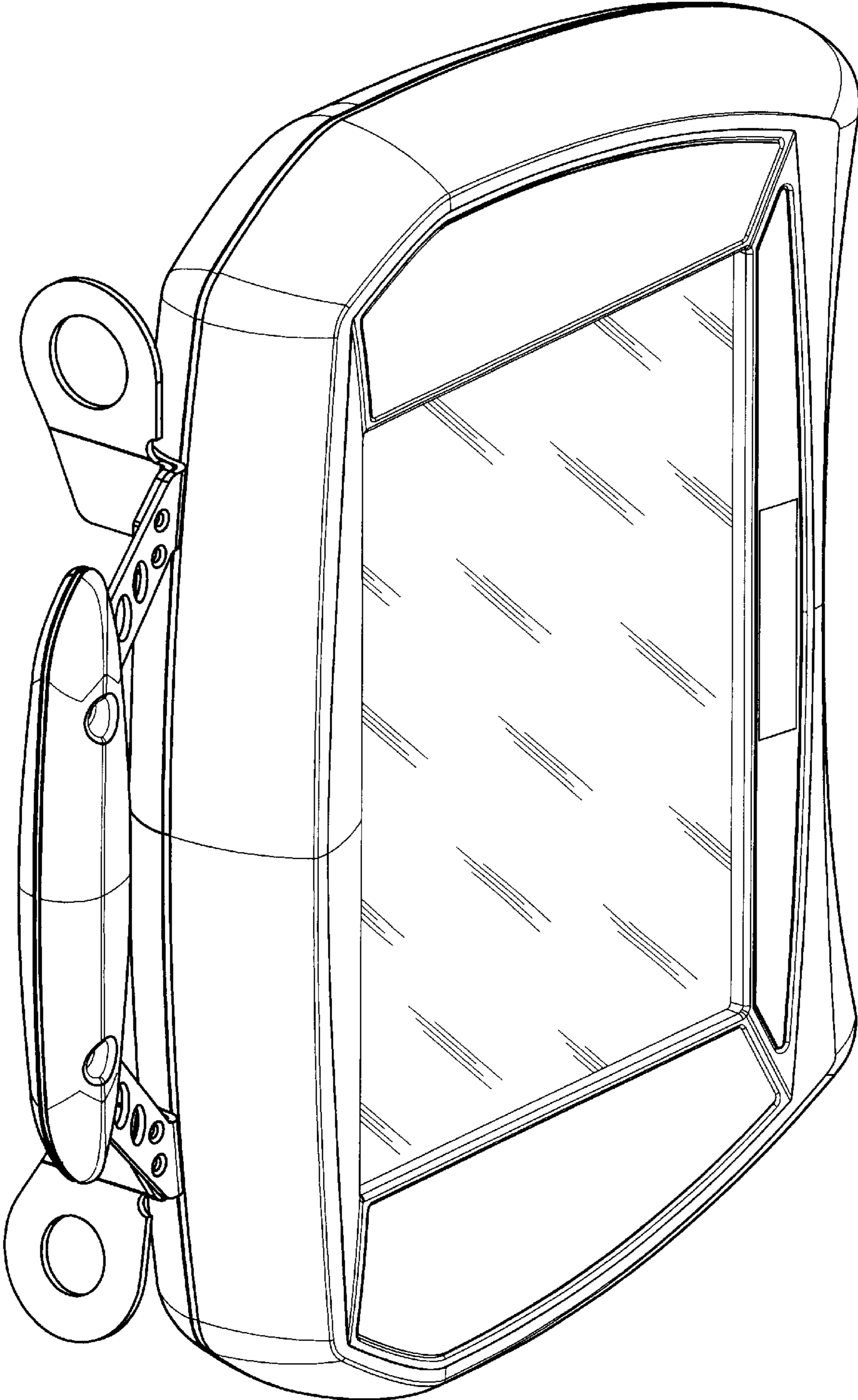


Fig.1

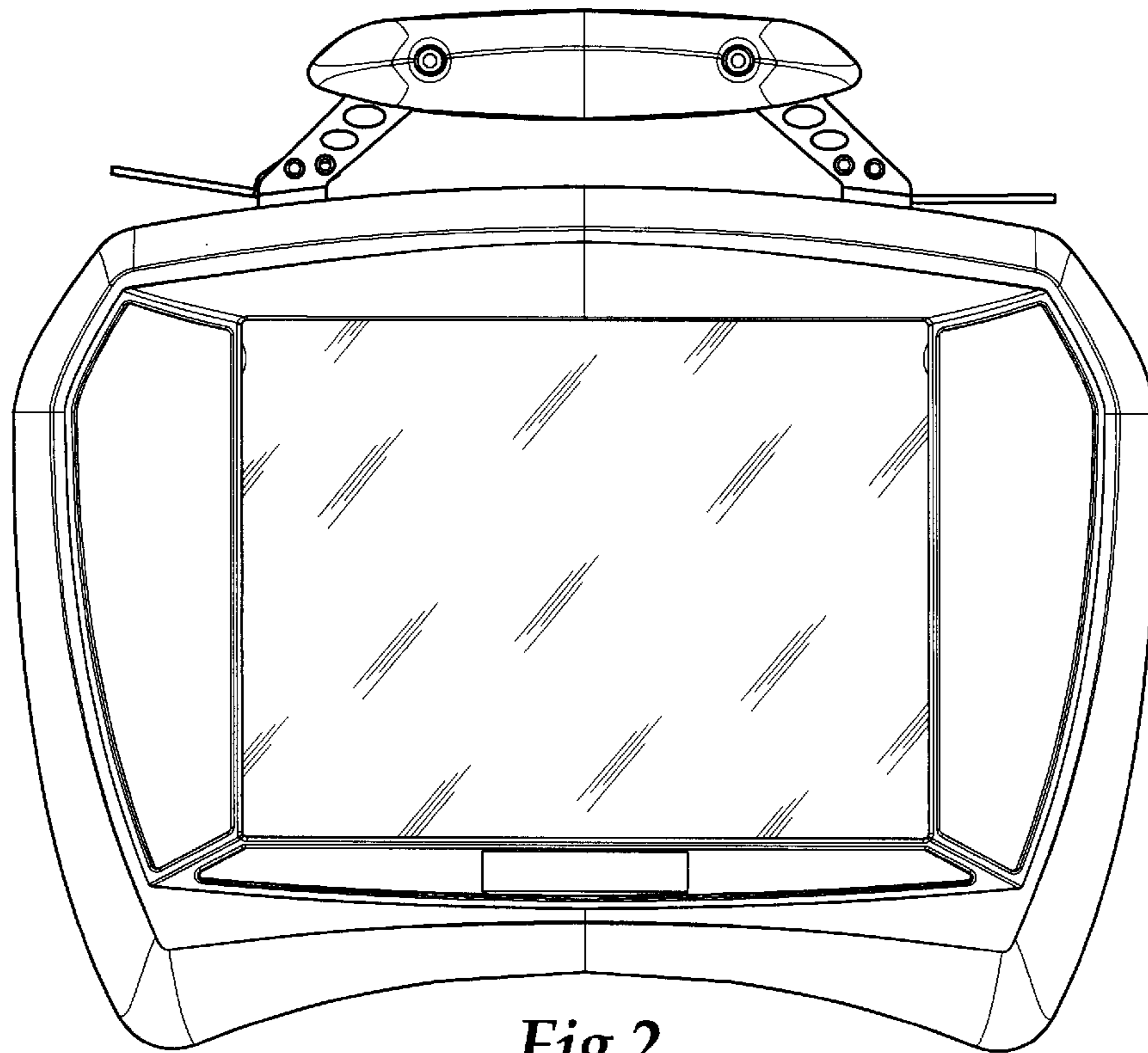


Fig.2

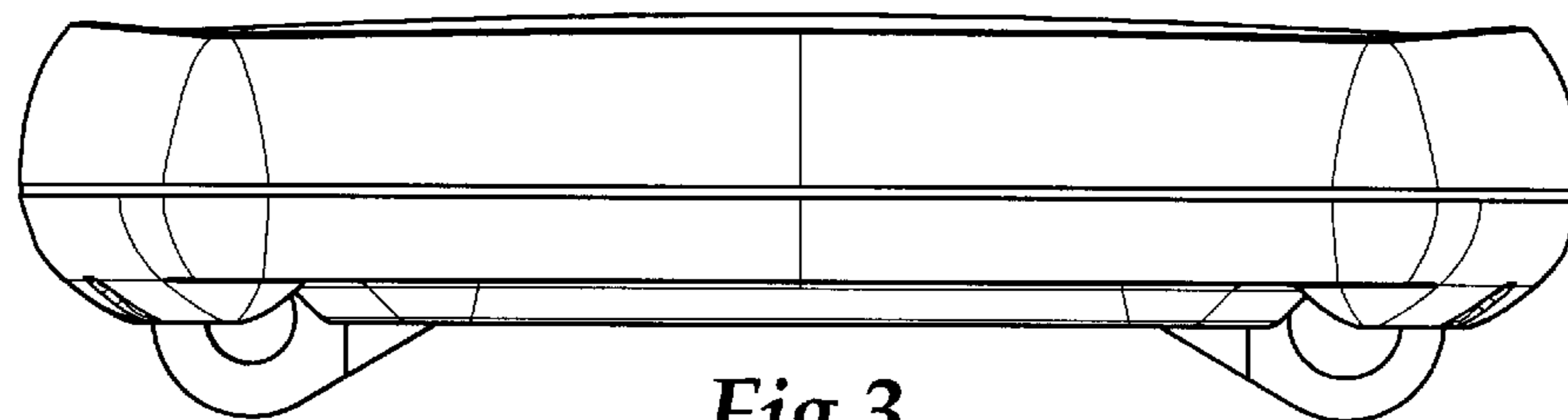


Fig.3

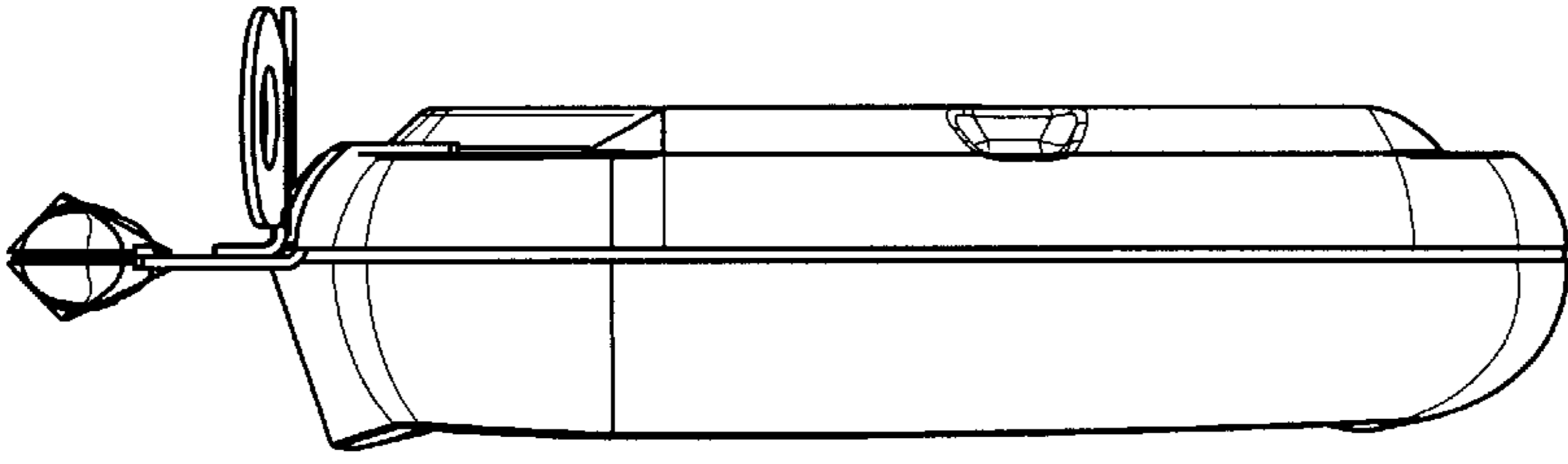


Fig.6

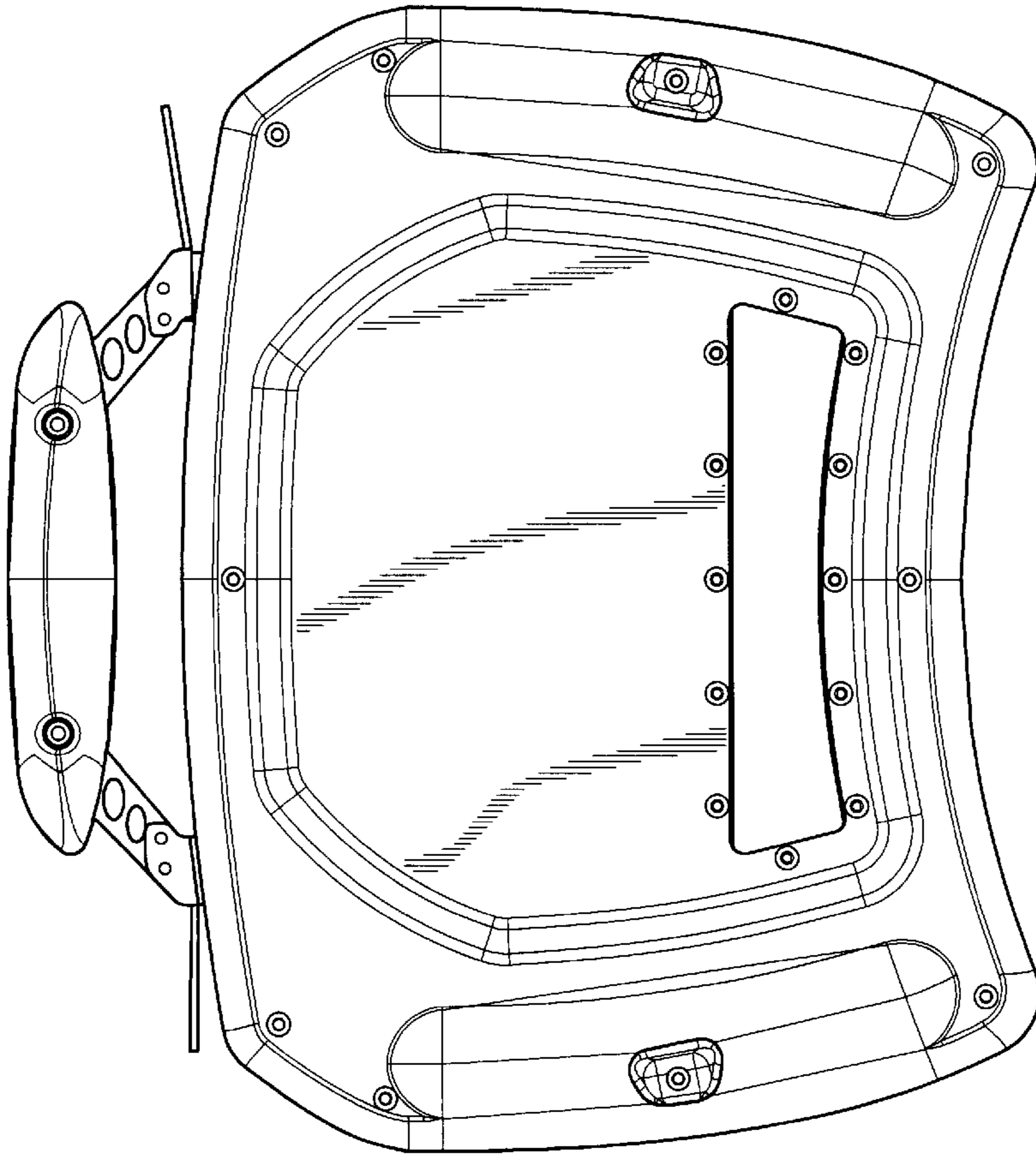


Fig.5

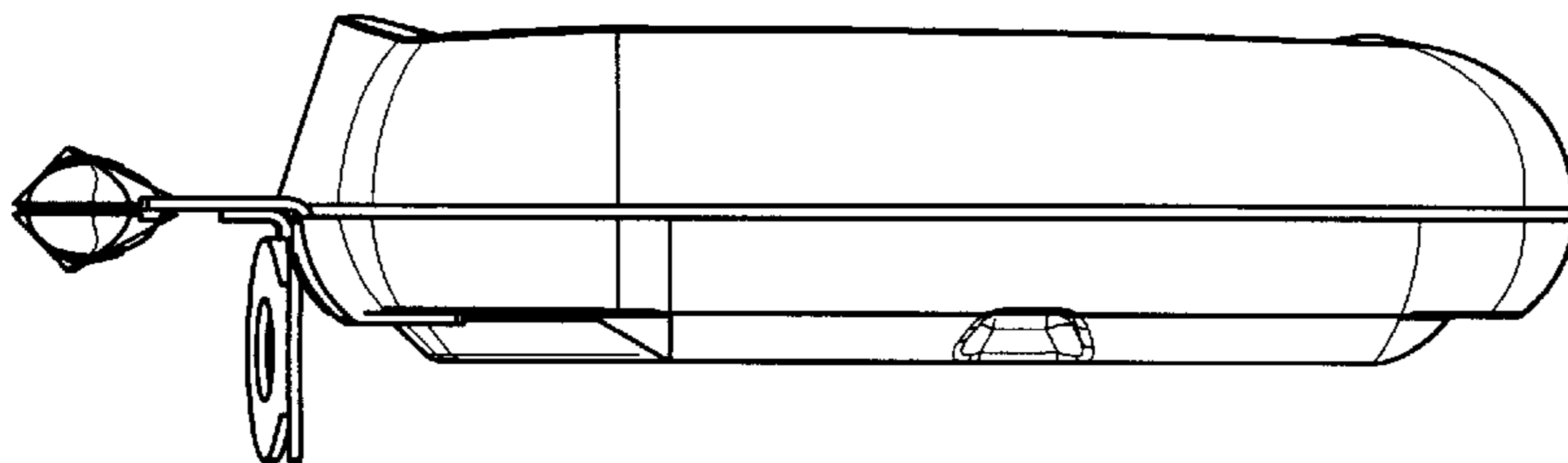


Fig.4