



US00D538799S

(12) **United States Design Patent**
Shi et al.

(10) **Patent No.:** **US D538,799 S**
(45) **Date of Patent:** **** Mar. 20, 2007**

(54) **NOTEBOOK COMPUTER**

(75) Inventors: **Zheng Shi**, Shenzhen (CN); **Jun Zhang**, Shenzhen (CN); **Chien-Li Tsai**, Tu-Cheng (TW); **Wen-Kang Lo**, Tu-Cheng (TW); **Chun-Chi Liang**, Tu-Cheng (TW)

(73) Assignee: **Hon Hai Precision Industry Co. Ltd.**, Taipei Hsien (TW)

(**) Term: **14 Years**

(21) Appl. No.: **29/245,259**

(22) Filed: **Dec. 20, 2005**

(51) **LOC (8) Cl.** **14-02**

(52) **U.S. Cl.** **D14/315**

(58) **Field of Classification Search** D14/315-328;
D18/1, 2, 7; 235/145 A, 145 R; 345/104,
345/156, 168, 173, 901-905; 341/22, 23;
361/680-686; 400/486, 489

See application file for complete search history.

(56) **References Cited**

U.S. PATENT DOCUMENTS

D391,927 S * 3/1998 Faranda et al. D14/318
6,067,224 A * 5/2000 Nobuchi 361/683

D443,876 S * 6/2001 Komuta et al. D14/318
D480,079 S * 9/2003 Miao et al. D14/315
D492,301 S * 6/2004 Lu D14/318
D506,752 S * 6/2005 Huh D14/316
D512,055 S * 11/2005 Yeh et al. D14/318

* cited by examiner

Primary Examiner—Freda S. Nunn

(74) *Attorney, Agent, or Firm*—Jeffrey T. Knapp

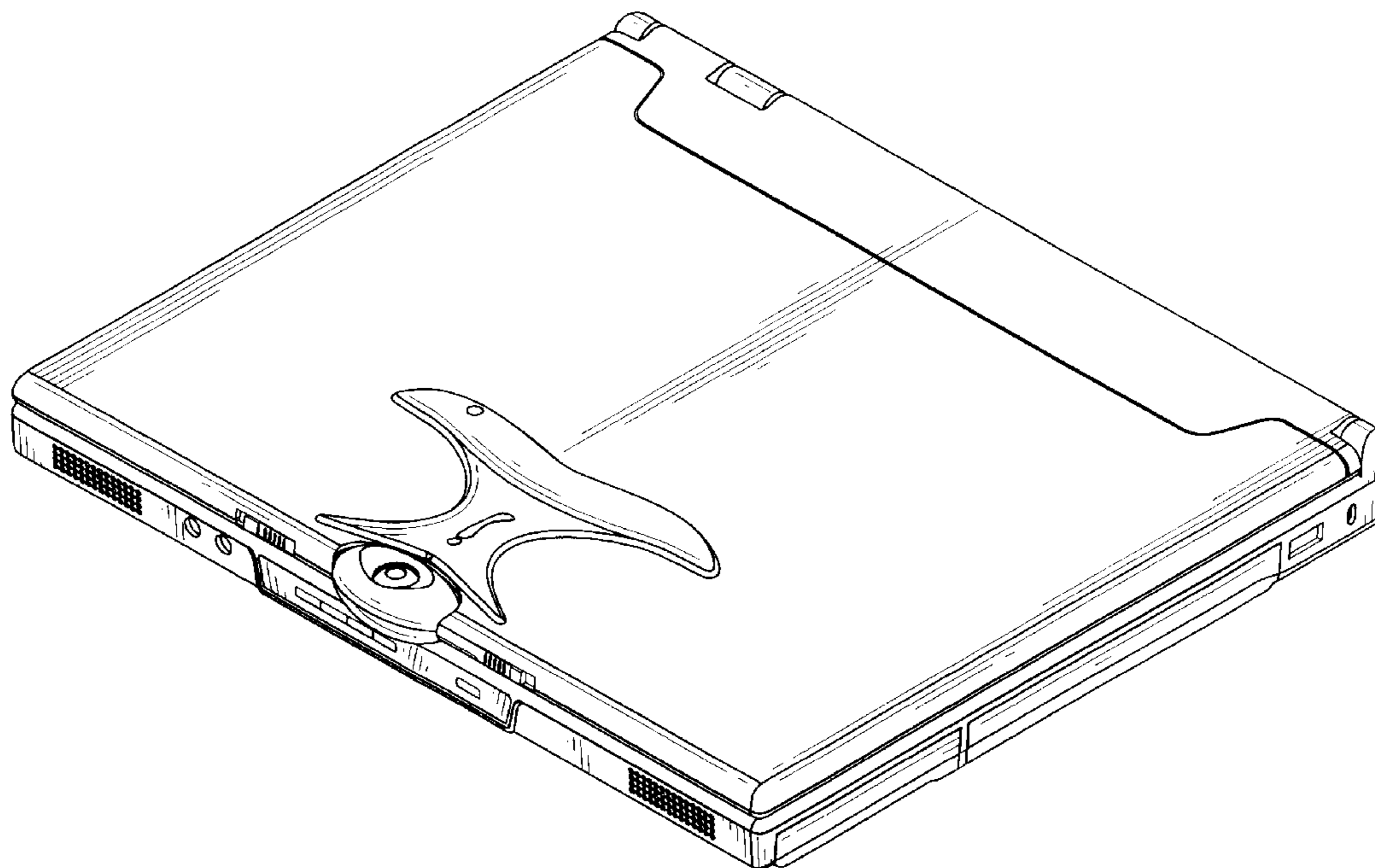
(57) **CLAIM**

The ornamental design for a notebook computer, as shown and described.

DESCRIPTION

FIG. 1 is a perspective view of a notebook computer showing our new design;
FIG. 2 is a front elevational view thereof;
FIG. 3 is a rear elevational view thereof;
FIG. 4 is a left-side, elevational view thereof;
FIG. 5 is a right-side, elevational view thereof;
FIG. 6 is a top plan view thereof;
FIG. 7 is a bottom plan view thereof; and,
FIG. 8 is a perspective view thereof in an open position for explanatory purpose only and in a reduced scale; wherein broken lines are for illustrative purposes only and form no part of the claimed design.

1 Claim, 6 Drawing Sheets



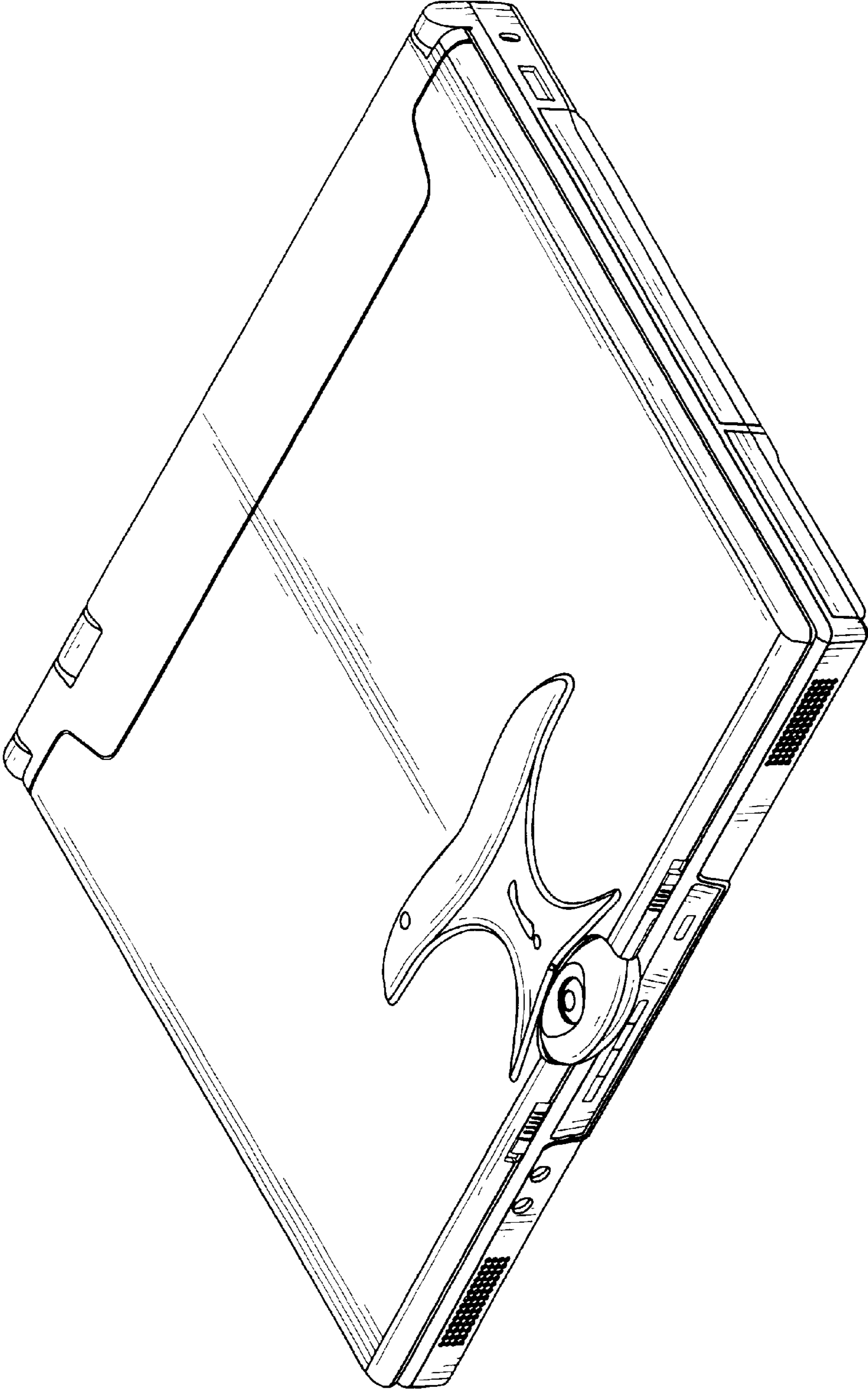


FIG. 1

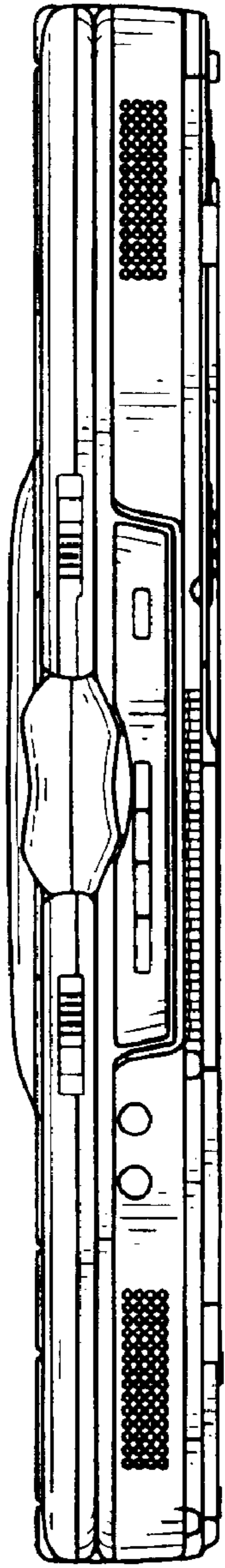


FIG. 2

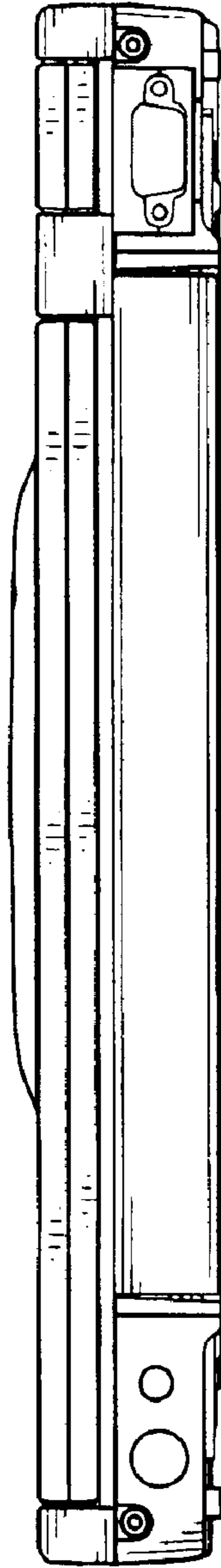


FIG. 3

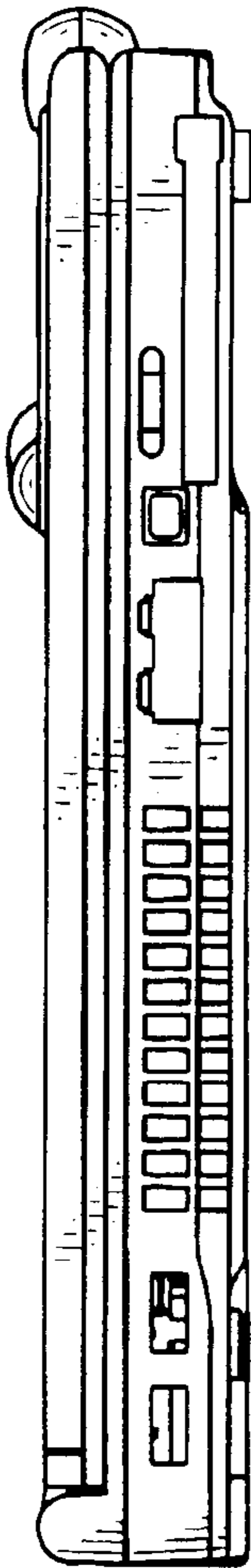


FIG. 4



FIG. 5

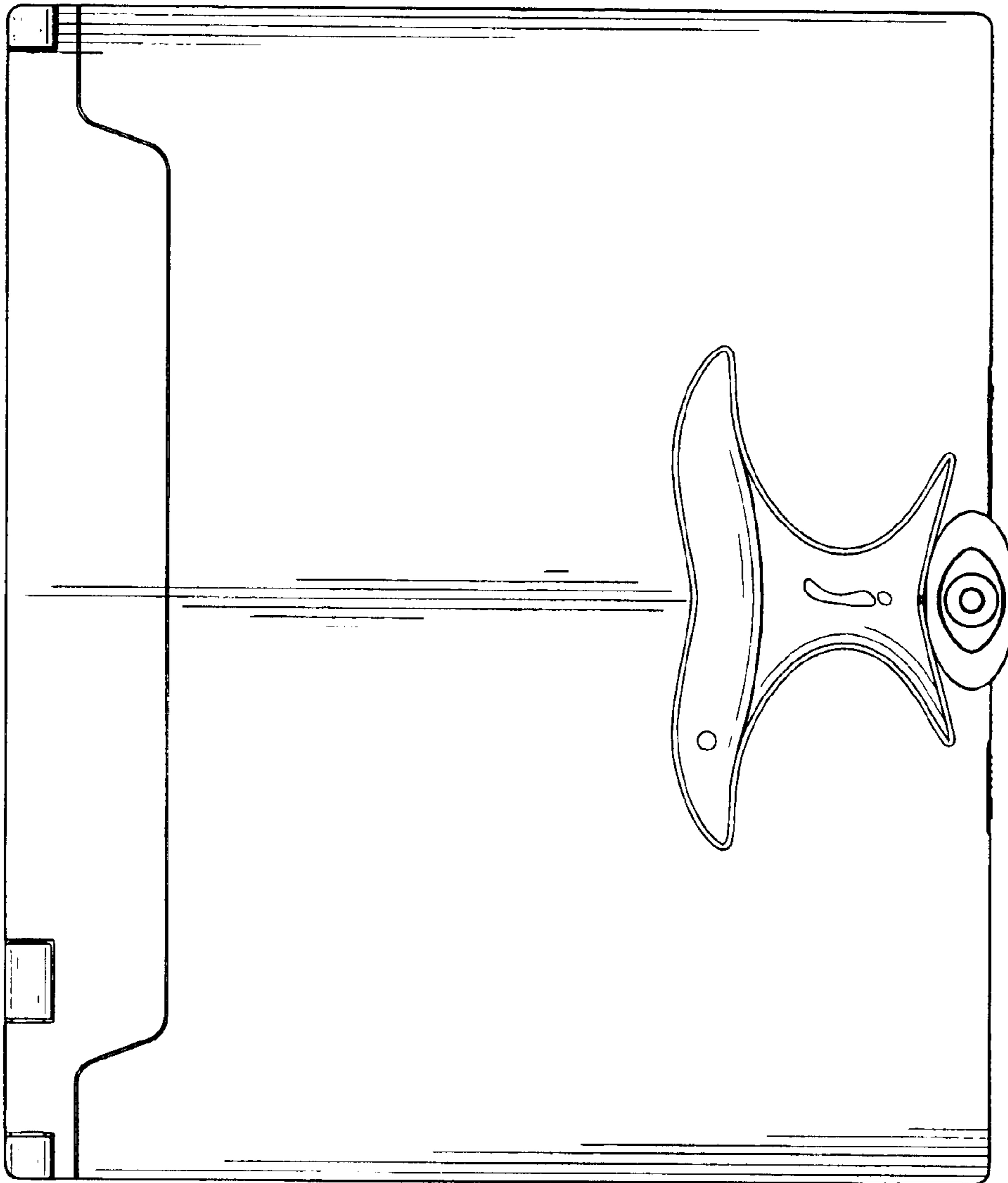


FIG. 6

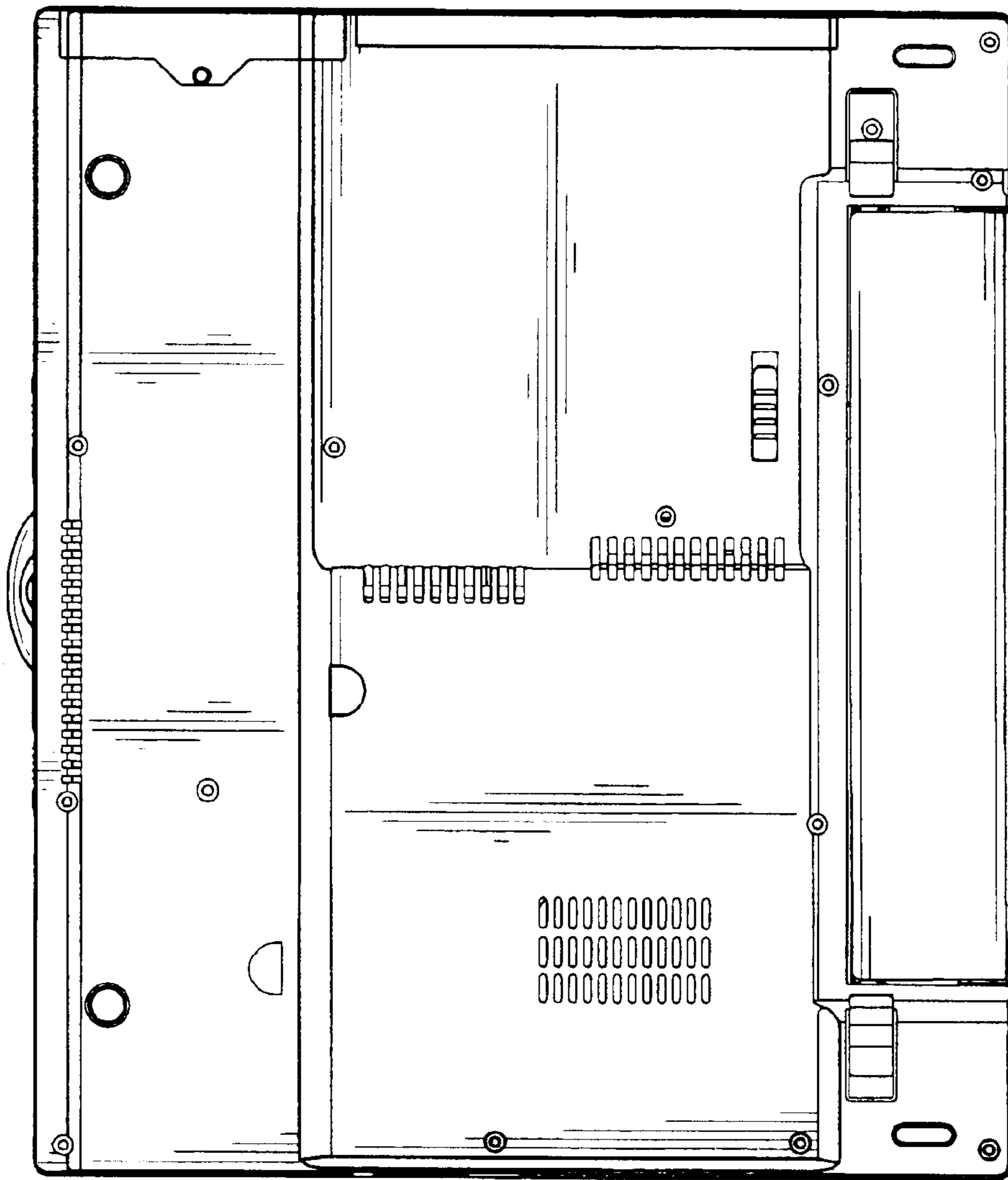


FIG. 7

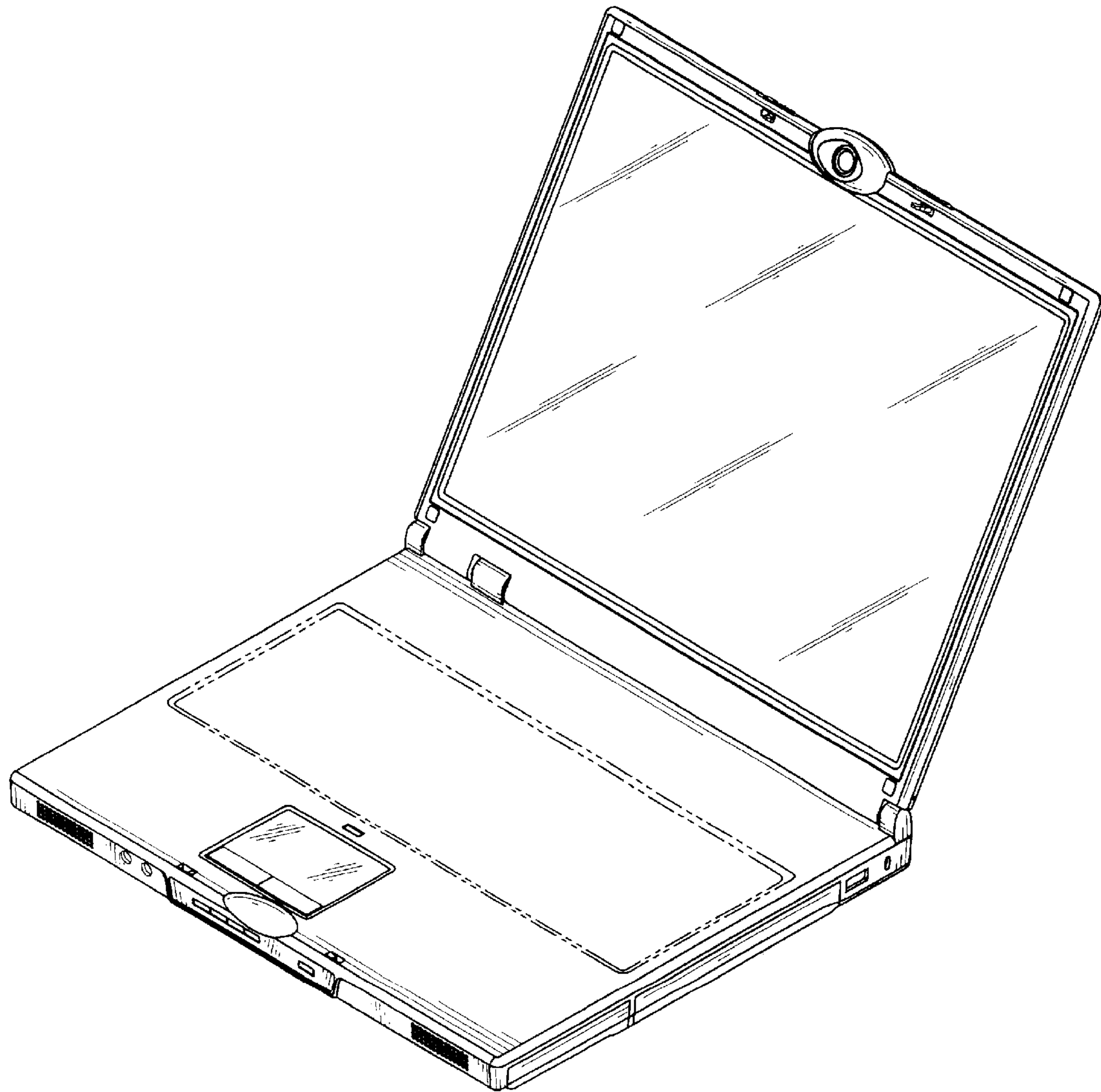


FIG. 8

UNITED STATES PATENT AND TRADEMARK OFFICE
CERTIFICATE OF CORRECTION

PATENT NO. : Des. 538,799 S
APPLICATION NO. : 29/245259
DATED : March 20, 2007
INVENTOR(S) : Zheng Shi

Page 1 of 1

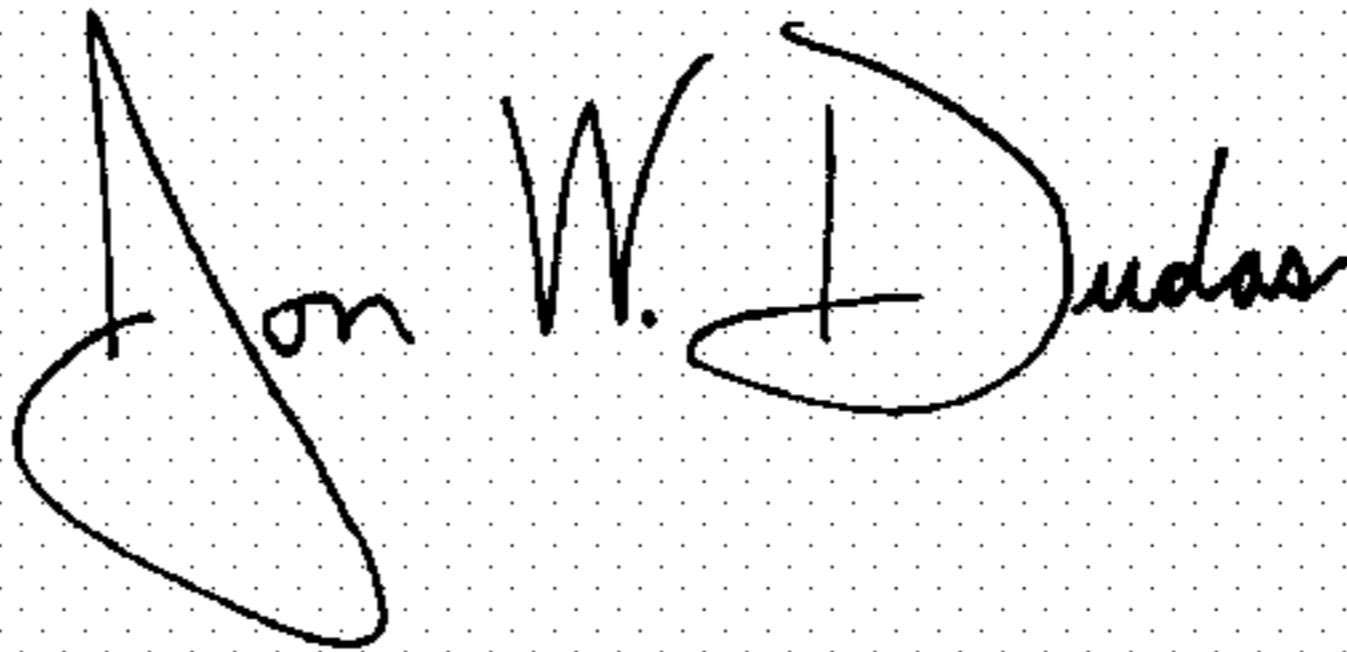
It is certified that error appears in the above-identified patent and that said Letters Patent is hereby corrected as shown below:

Please replace insert the following Foreign Application Priority Data on Title Page (30) of the Patent with the following:

Foreign Application Priority Data
Nov. 4, 2005 (CN) 200530075948.5

Signed and Sealed this

Sixteenth Day of October, 2007

A handwritten signature in black ink on a light gray dotted background. The signature reads "Jon W. Dudas" in a cursive style.

JON W. DUDAS

Director of the United States Patent and Trademark Office