



US00D538795S

(12) **United States Design Patent**  
**Wong et al.**

(10) **Patent No.: US D538,795 S**

(45) **Date of Patent: \*\* \*Mar. 20, 2007**

- (54) **WIRELESS NETWORK DEVICE**
- (75) Inventors: **Shih-Chi Wong**, Tu-Cheng (TW);  
**Nai-Yo Chi**, Tu-Cheng (TW)
- (73) Assignee: **Hon Hai Precision Industry Co. Ltd.**,  
Taipei Hsien (TW)
- (\*) Notice: This patent is subject to a terminal disclaimer.
- (\*\*) Term: **14 Years**

D407,394 S	*	3/1999	Oh	.....	D14/135
D409,192 S	*	5/1999	Miyazaki	.....	D14/156
D423,514 S	*	4/2000	Shindo	.....	D14/240
D448,754 S	*	10/2001	Chang	.....	D14/217
D458,593 S	*	6/2002	Ahn	.....	D14/125
D470,848 S	*	2/2003	Morooka	.....	D14/433
D470,852 S		2/2003	Kim		
D480,372 S	*	10/2003	Chen et al.	.....	D14/136
D486,480 S	*	2/2004	Tanaka	.....	D14/242
D487,460 S	*	3/2004	Lee	.....	D14/368
D493,165 S	*	7/2004	Kiple et al.	.....	D14/242
D494,156 S		8/2004	Chen et al.		
D505,667 S	*	5/2005	Okada	.....	D14/156

- (21) Appl. No.: **29/252,259**
- (22) Filed: **Jan. 20, 2006**
- (30) **Foreign Application Priority Data**  
Dec. 16, 2005 (TW) ..... 94307729
- (51) **LOC (8) Cl.** ..... **14-02**
- (52) **U.S. Cl.** ..... **D14/240; D14/357**
- (58) **Field of Classification Search** ..... D14/242,  
D14/496, 125, 135-6, 167, 300-2, 314, 341,  
D14/355-8, 362-70, 383, 385, 433, 348,  
D14/353, 156; 379/413.04; 220/4.01-4.02;  
361/679, 685-6; D13/103  
See application file for complete search history.

\* cited by examiner

*Primary Examiner*—Robin Webster  
*Assistant Examiner*—Karen E. Patterson  
(74) *Attorney, Agent, or Firm*—Wei-Te Chung

- (56) **References Cited**  
U.S. PATENT DOCUMENTS  
D322,963 S \* 1/1992 Kittirutsunetorn ..... D14/242  
D369,350 S \* 4/1996 Takahashi ..... D14/351

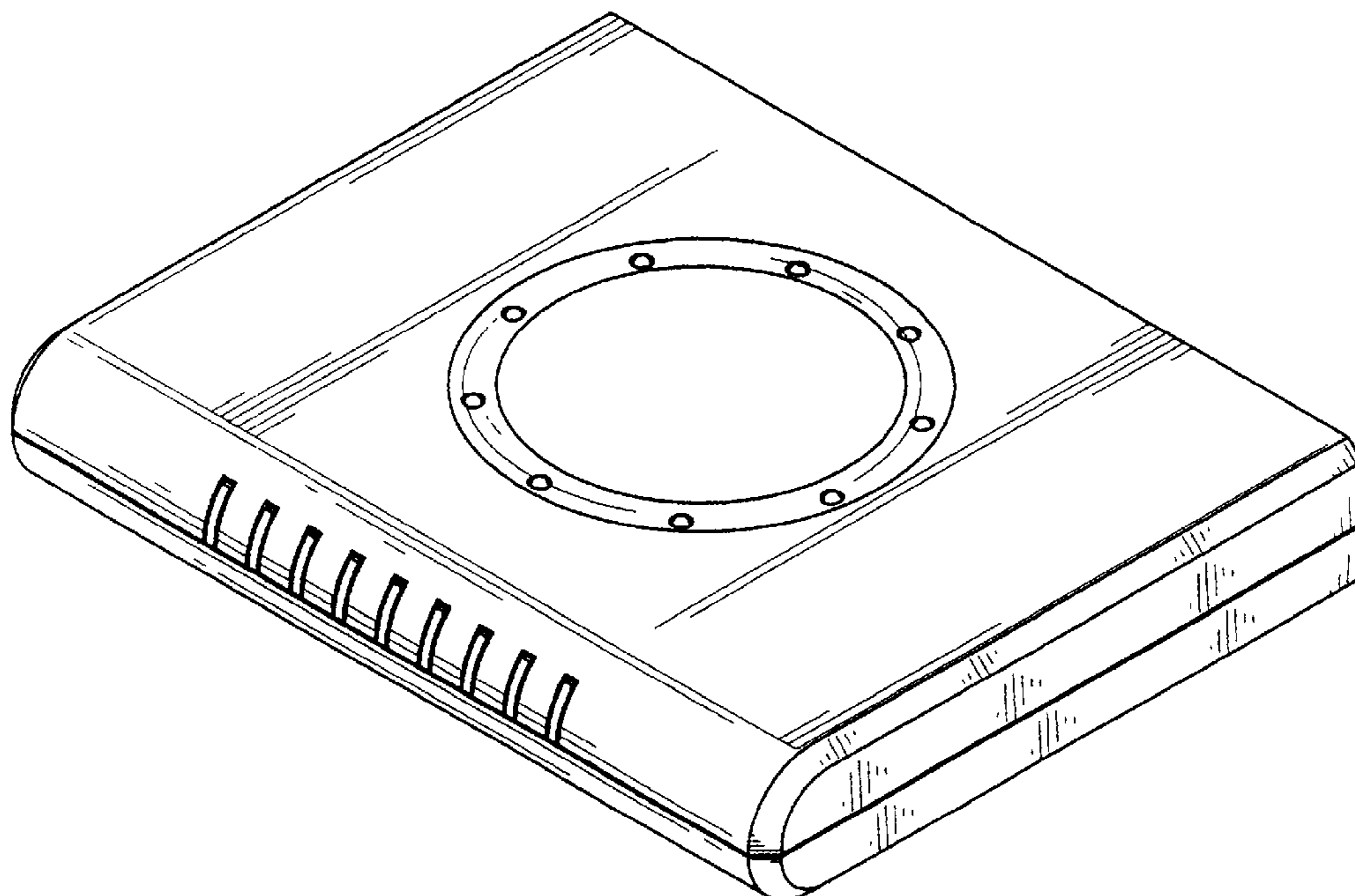
(57) **CLAIM**

The ornamental design for a wireless network device, as shown and described.

**DESCRIPTION**

FIG. 1 is an isometric view of a wireless network device of my new design;  
FIG. 2 is a front elevational view thereof;  
FIG. 3 is a rear elevational view thereof;  
FIG. 4 is a left side elevational view thereof;  
FIG. 5 is a right side elevational view thereof;  
FIG. 6 is a top plan view thereof; and,  
FIG. 7 is a bottom plan view thereof.

**1 Claim, 5 Drawing Sheets**



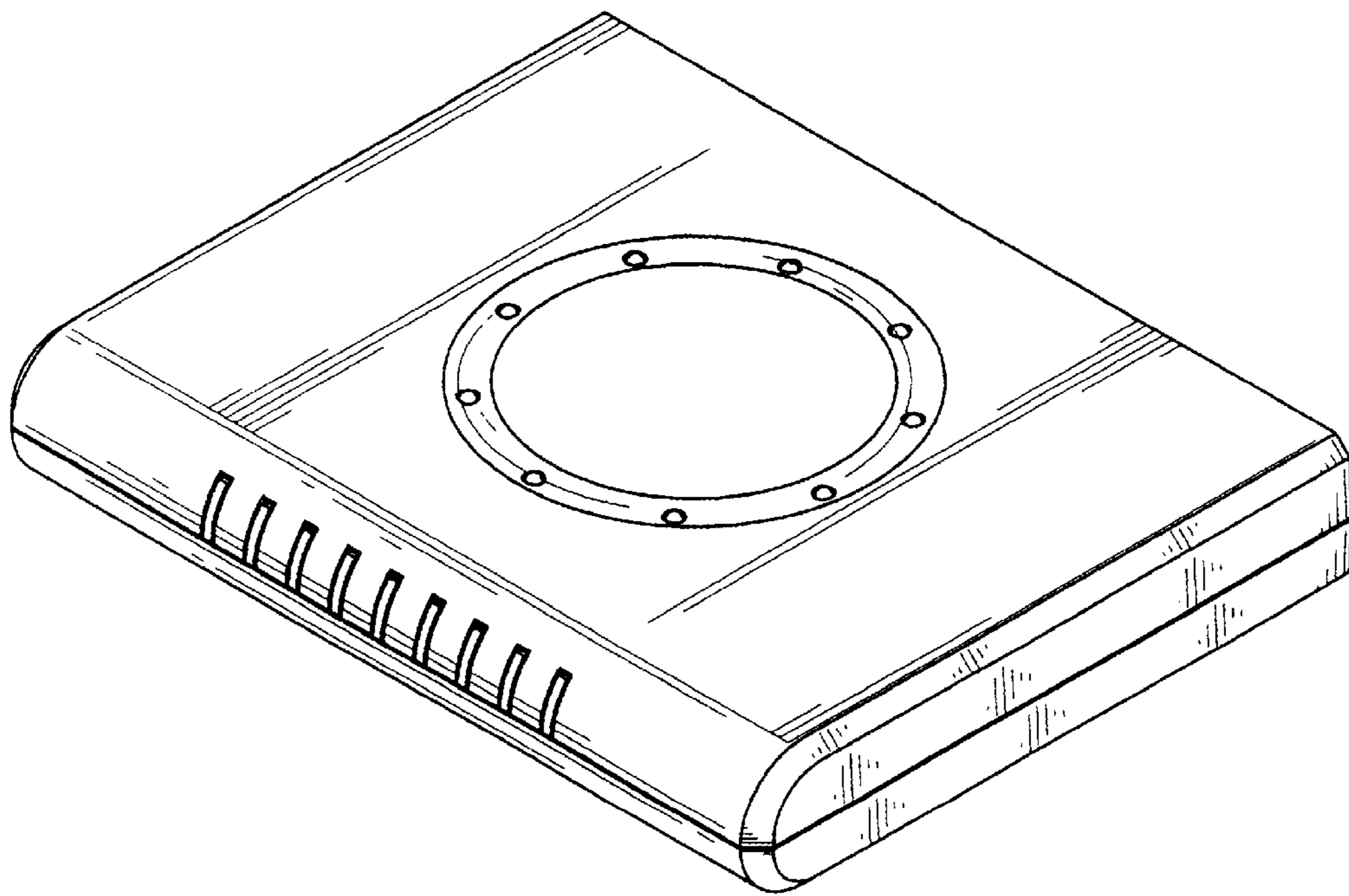


FIG. 1

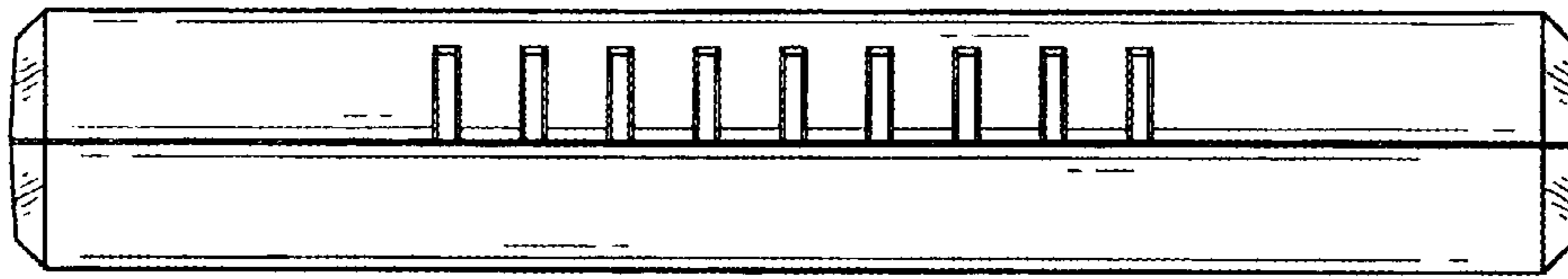


FIG. 2

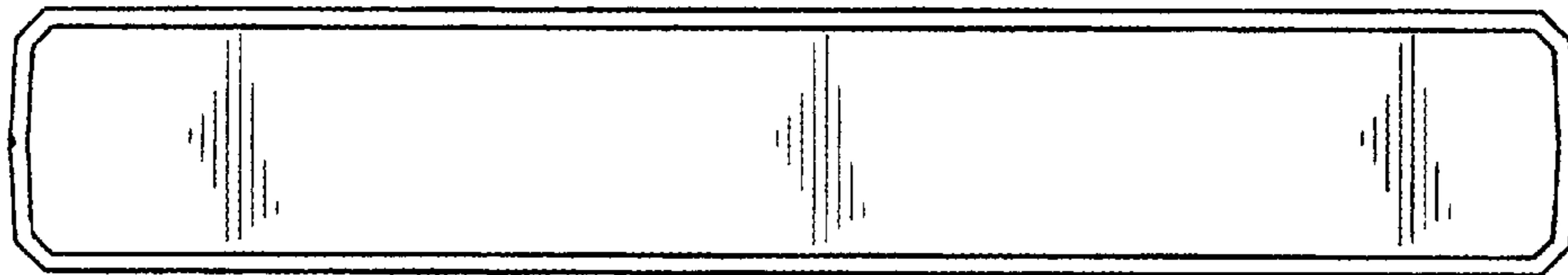


FIG. 3

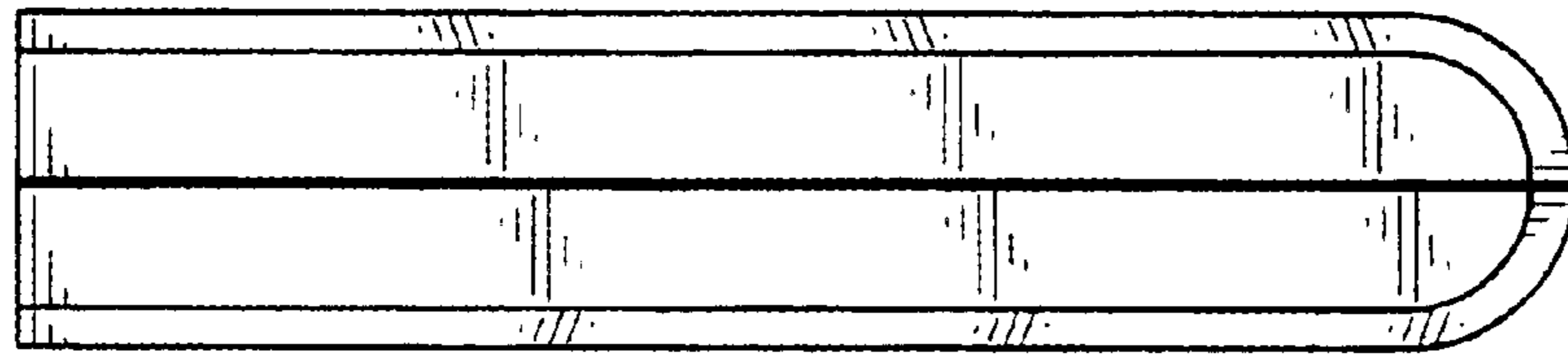


FIG. 4

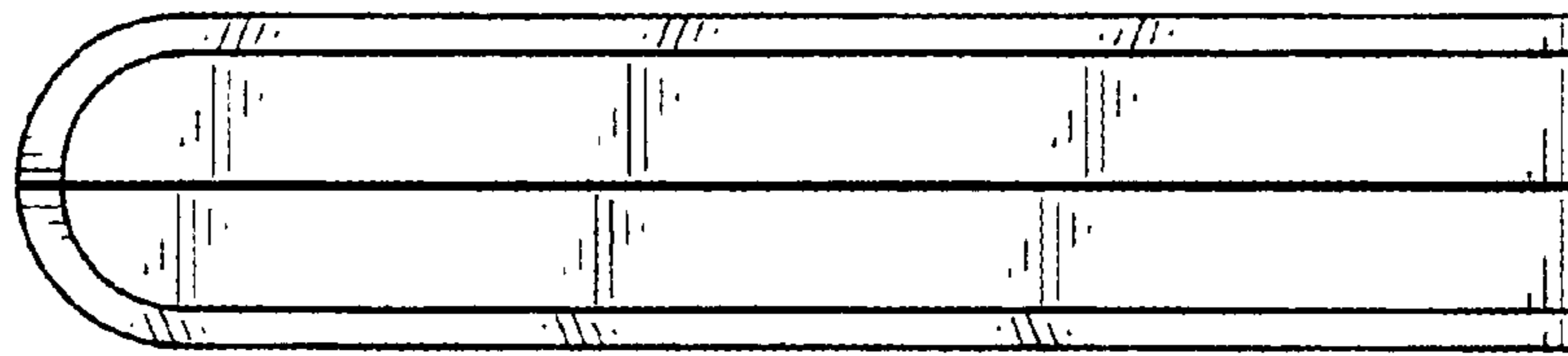


FIG. 5

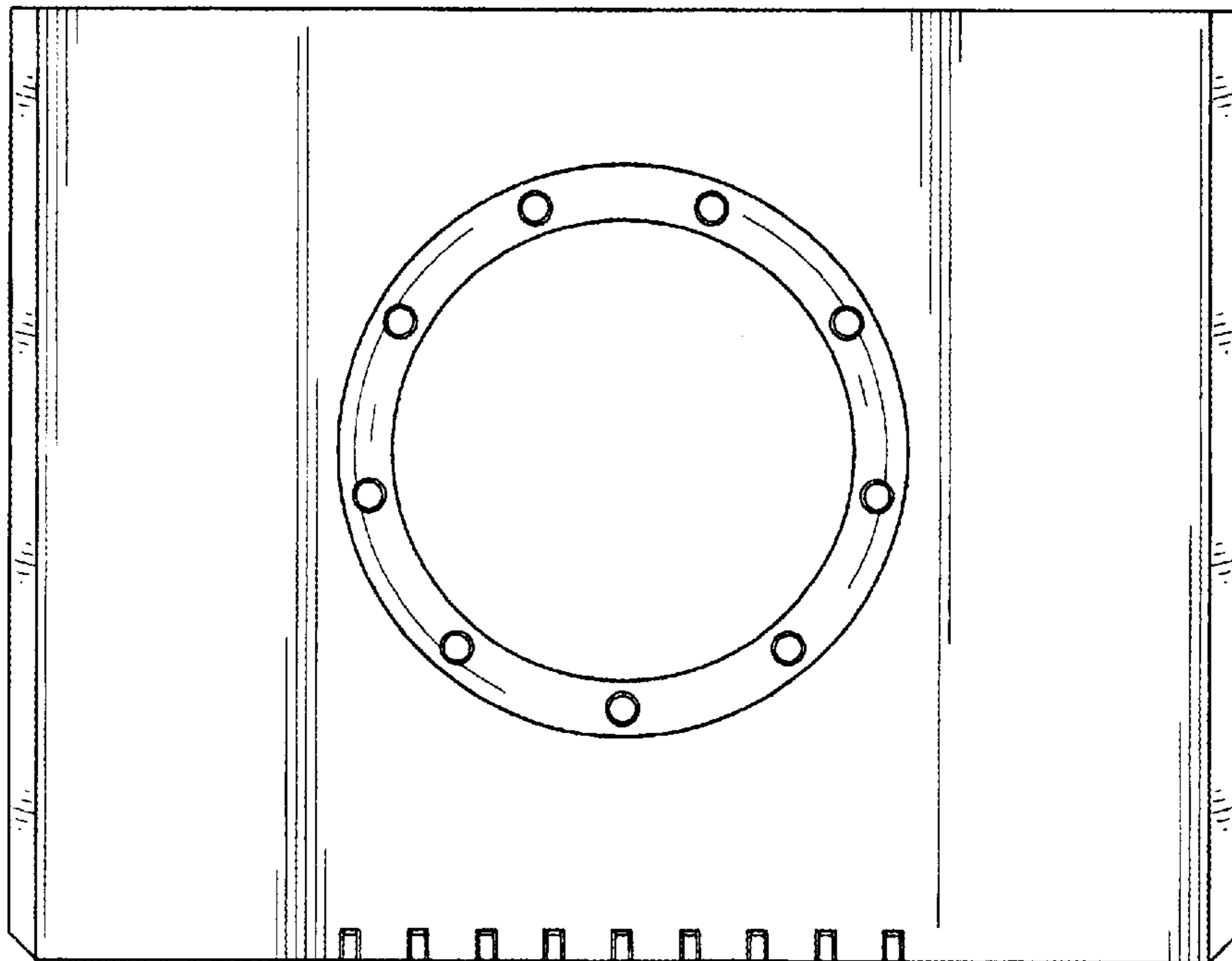


FIG. 6

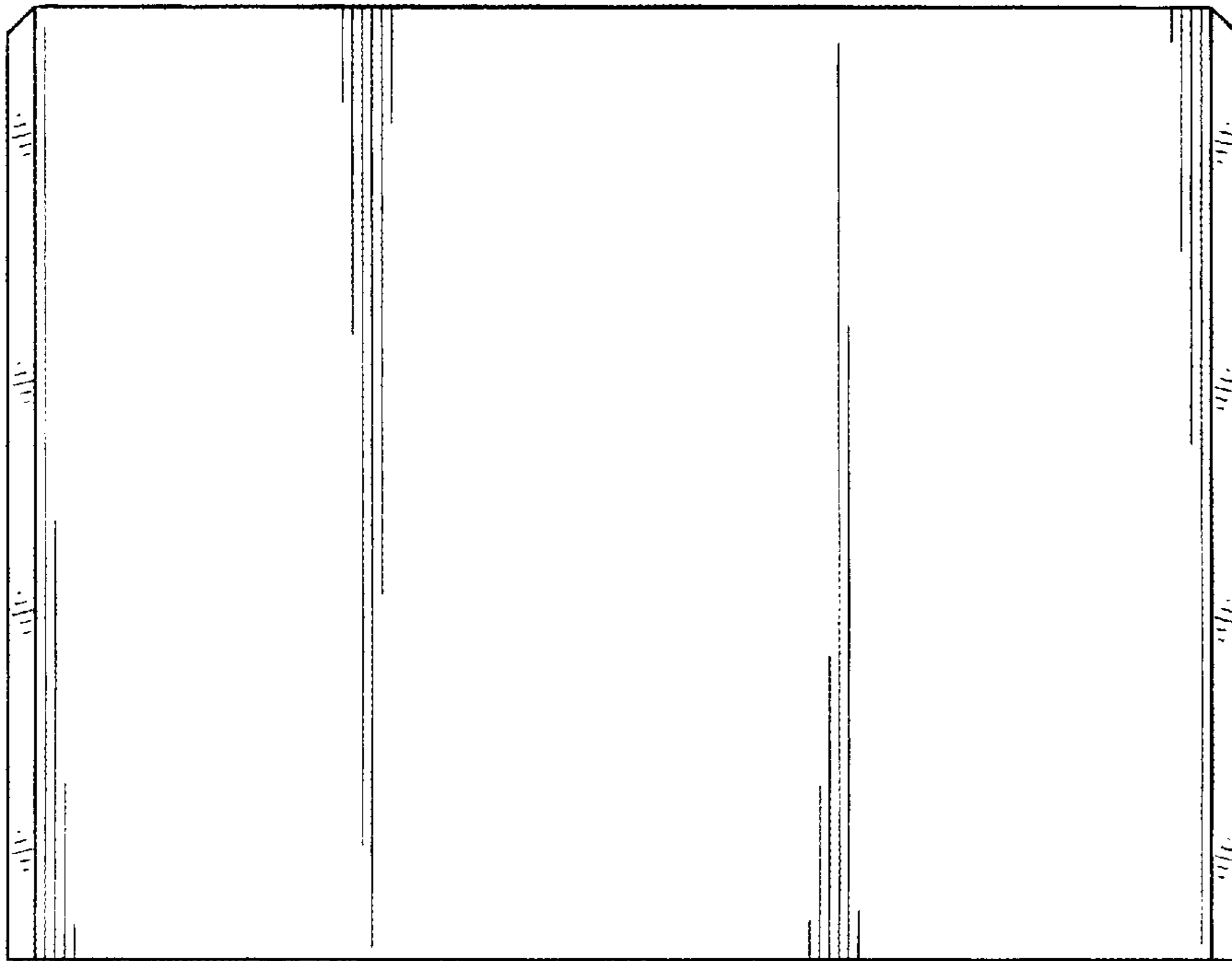


FIG. 7