



US00D538794S

(12) **United States Design Patent**
Ho

(10) **Patent No.:** **US D538,794 S**
(45) **Date of Patent:** **** Mar. 20, 2007**

(54) **MICROPHONE CONNECTOR**
(75) Inventor: **Hsin-Tsung Ho, Tu-Cheng (TW)**
(73) Assignee: **Cheng Uei Precision Industry Co., Ltd., Taipei Hsien (TW)**
(**) Term: **14 Years**

5,615,273 A * 3/1997 Lucey et al. 381/361
5,706,359 A * 1/1998 Chang 381/361
5,761,299 A * 6/1998 Patterson et al. 379/433.05
6,072,887 A * 6/2000 Wei 381/412
6,654,464 B2 * 11/2003 Roussy et al. 379/433.05
D483,028 S * 12/2003 Morrow et al. D14/225
D491,892 S * 6/2004 Moriwake et al. D13/147
6,751,317 B2 * 6/2004 Shima et al. 379/438

* cited by examiner

Primary Examiner—Paula A. Greene

(21) Appl. No.: **29/251,340**
(22) Filed: **Jan. 7, 2006**

(51) **LOC (8) Cl.** **14-01**
(52) **U.S. Cl.** **D14/225**
(58) **Field of Classification Search** D14/225,
D14/226, 227, 228, 229; D13/100, 118, 147,
D13/154, 173; 379/434, 438, 433.02, 433.03,
379/433.05; 381/118, 160, 412, 418, 355,
381/361, 353, 394

See application file for complete search history.

(57) **CLAIM**

The ornamental design for a microphone connector, as shown and described following.

DESCRIPTION

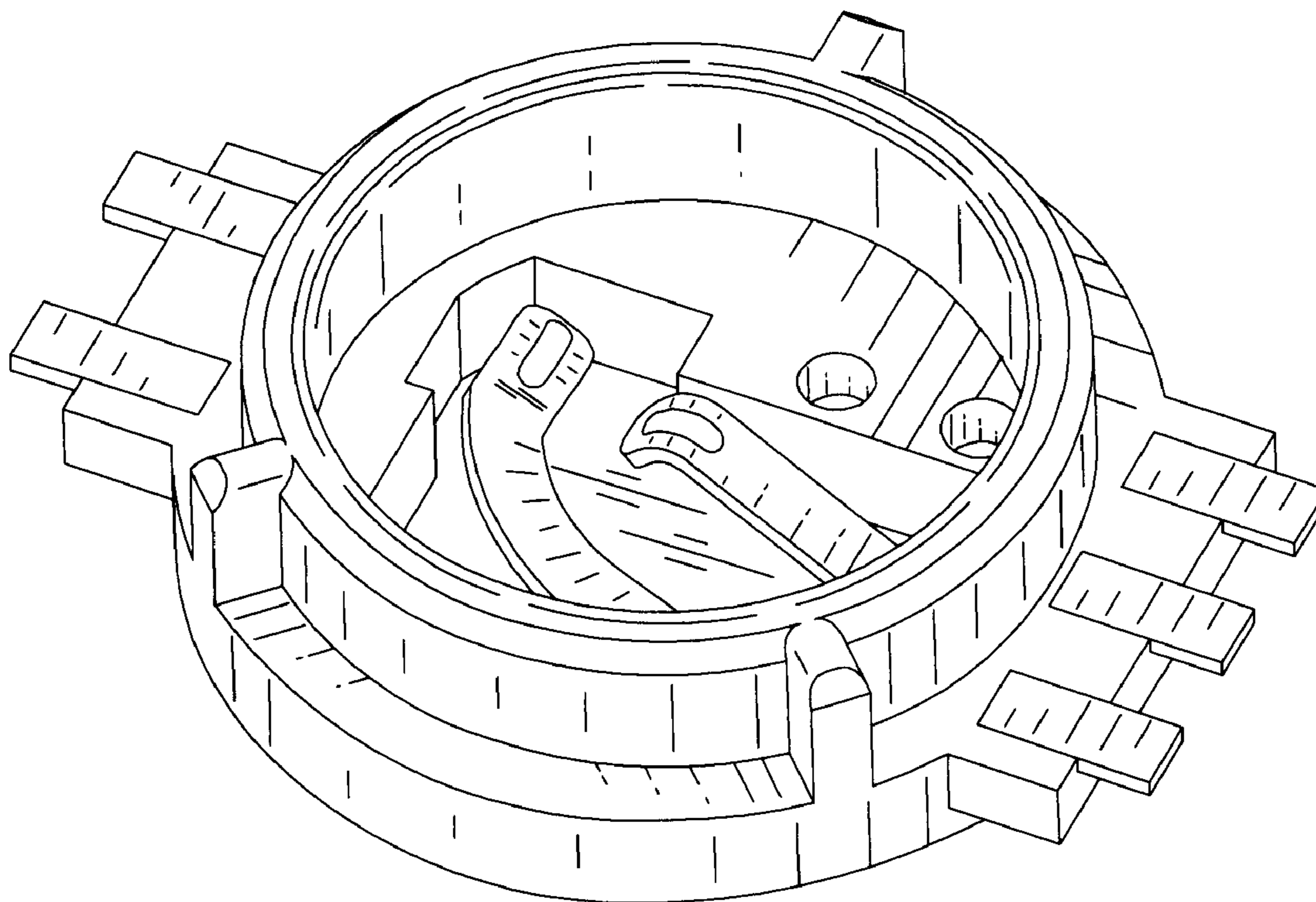
FIG. 1 is a perspective view of a microphone connector showing the new design;
FIG. 2 is a front elevational view thereof;
FIG. 3 is a rear elevational view thereof;
FIG. 4 is a left side elevational view thereof;
FIG. 5 is a right side elevational view thereof;
FIG. 6 is a top plan view thereof; and,
FIG. 7 is a bottom plan view thereof.

(56) **References Cited**

U.S. PATENT DOCUMENTS

2,577,288 A * 12/1951 Terlinde 84/723
4,295,009 A * 10/1981 Weidler 381/394
4,429,247 A * 1/1984 Feldman 310/322
4,552,423 A * 11/1985 Swengel, Jr. 439/507

1 Claim, 7 Drawing Sheets



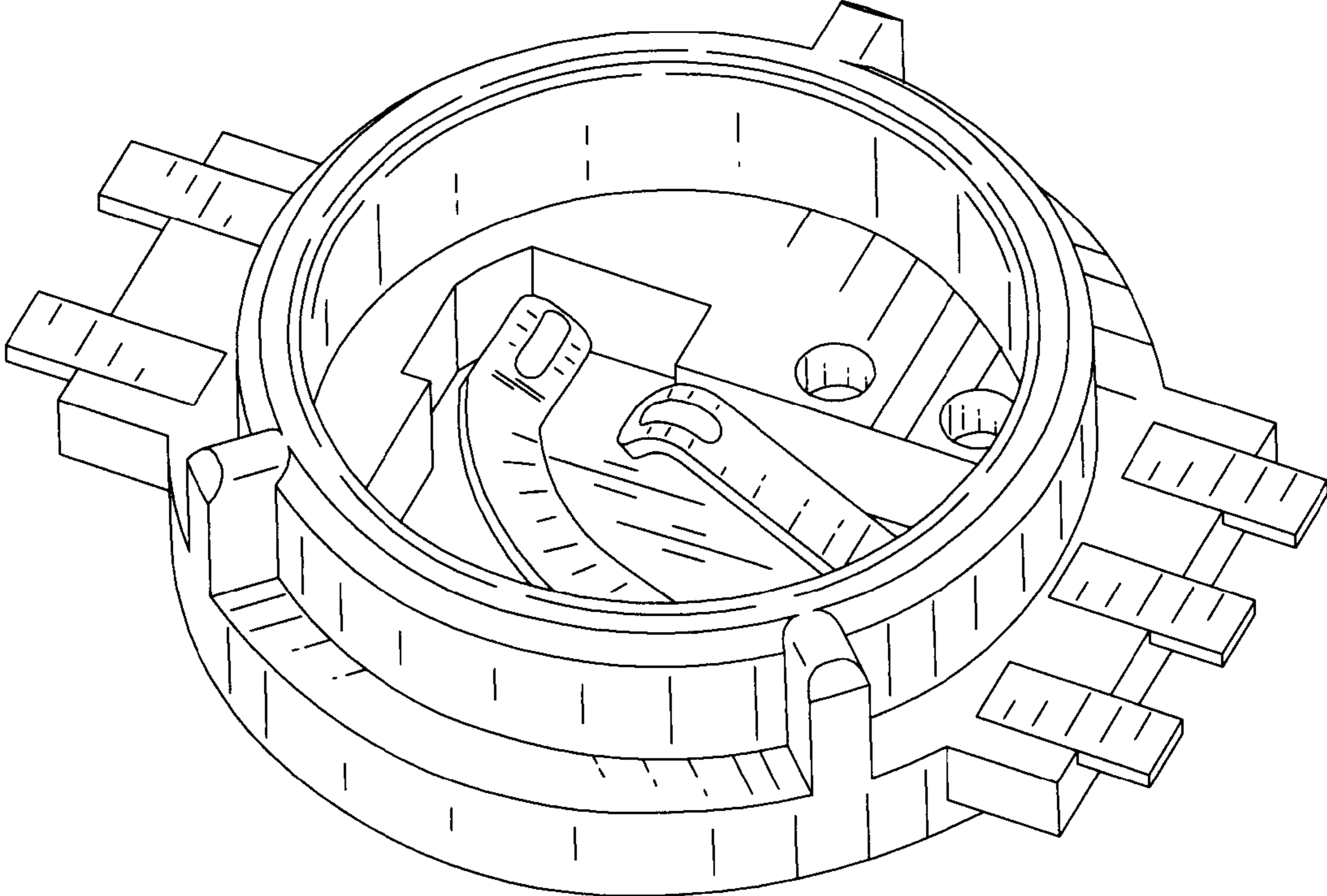


FIG. 1

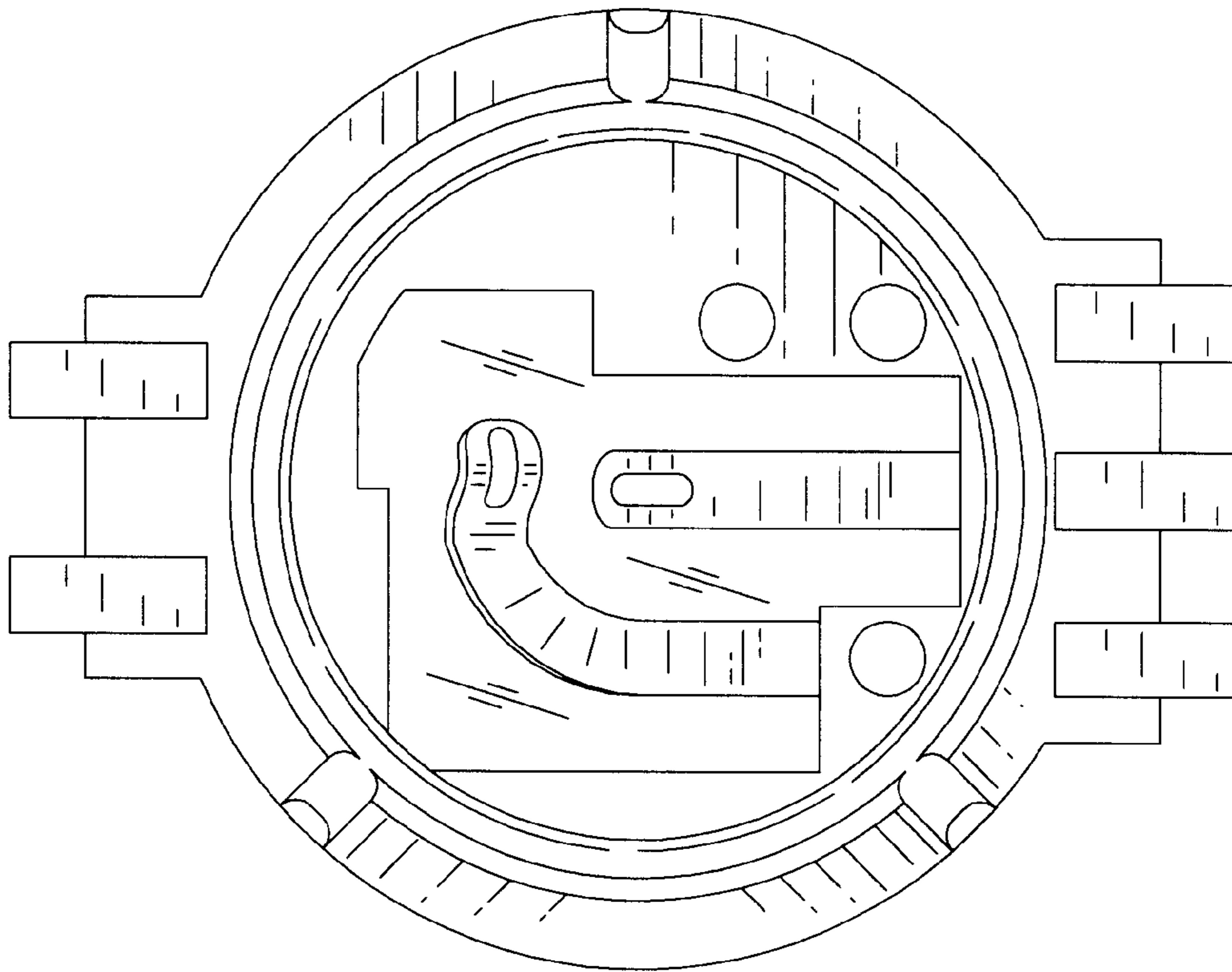


FIG. 2

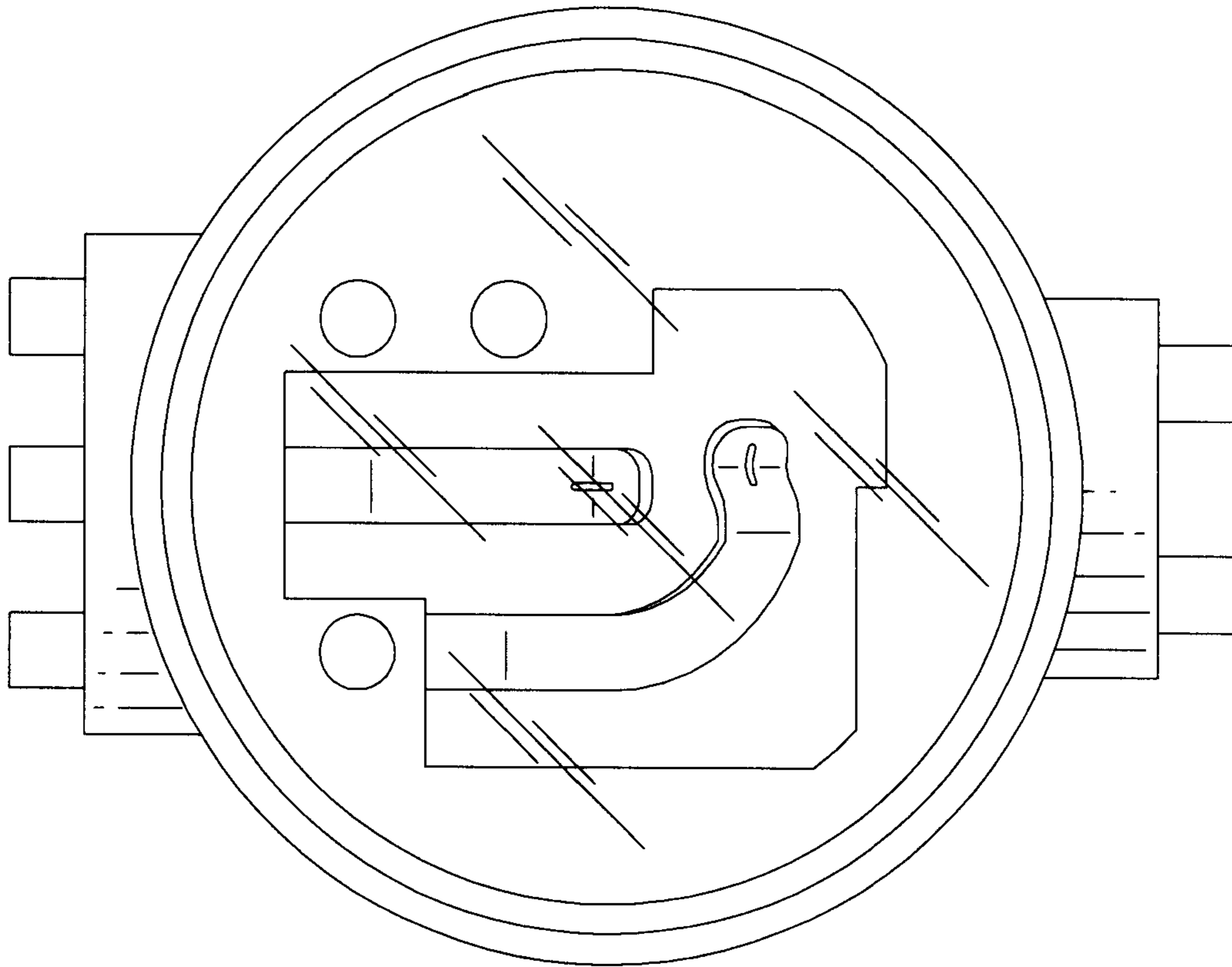


FIG. 3

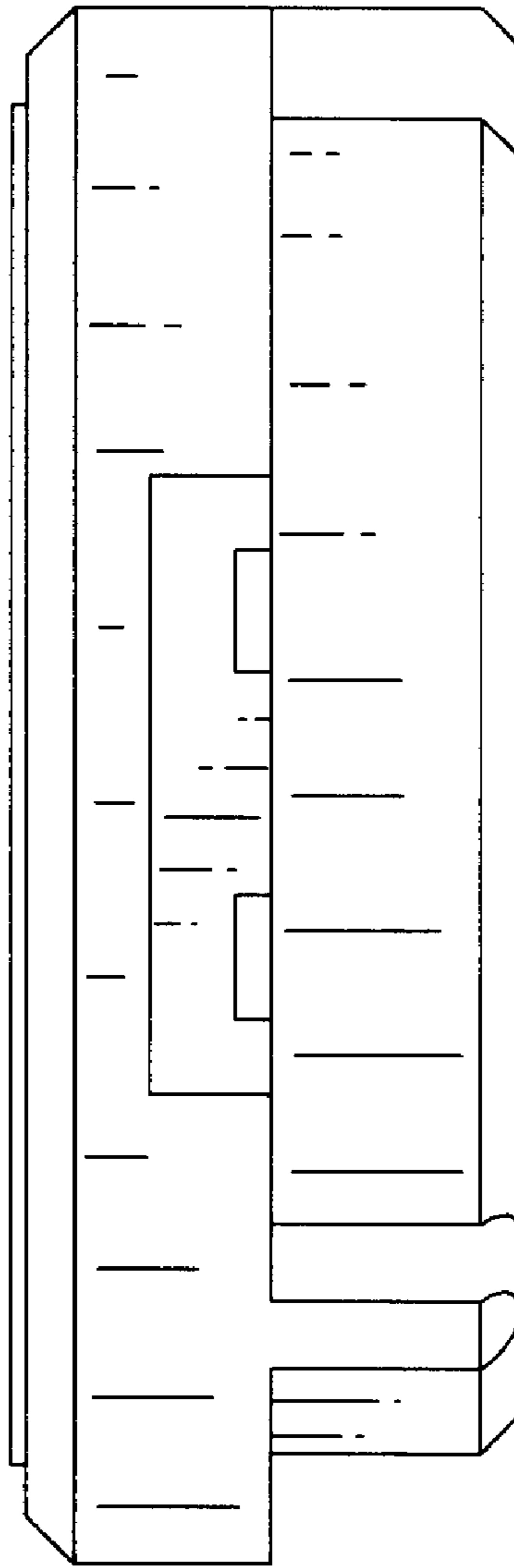


FIG. 4

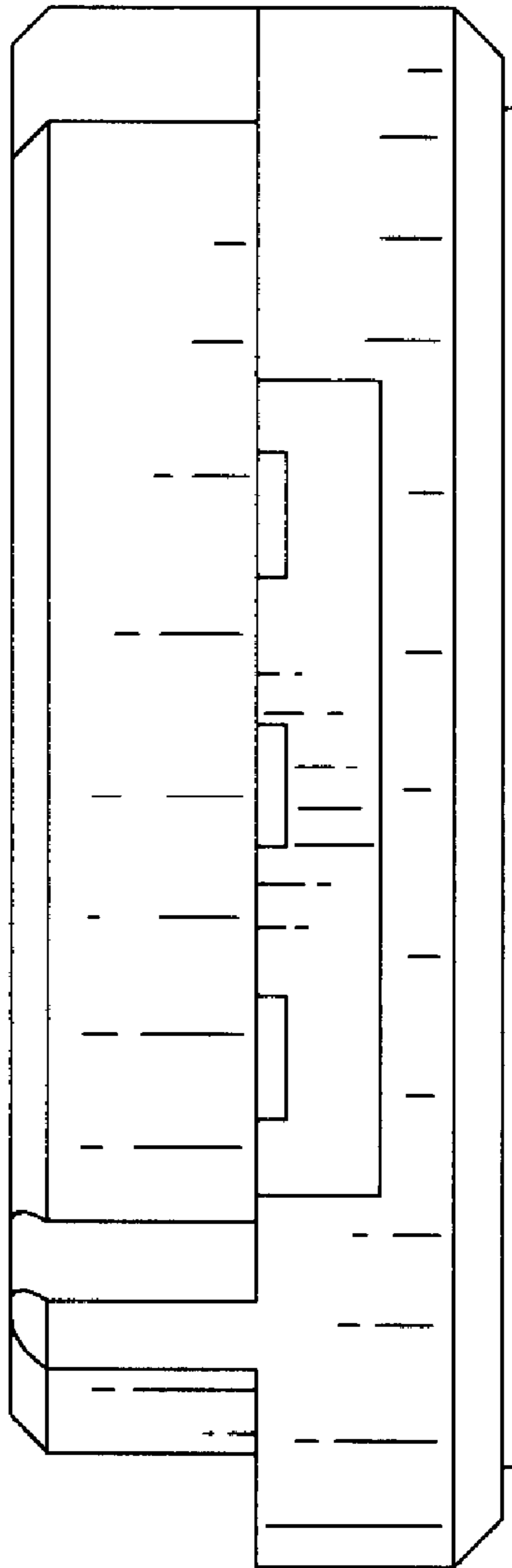


FIG. 5

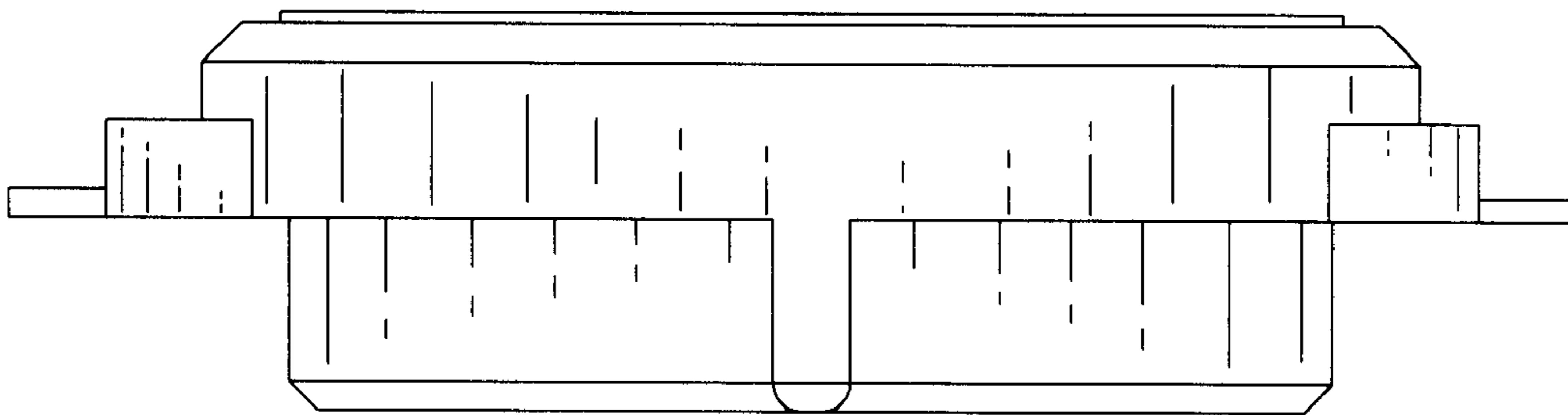


FIG. 6

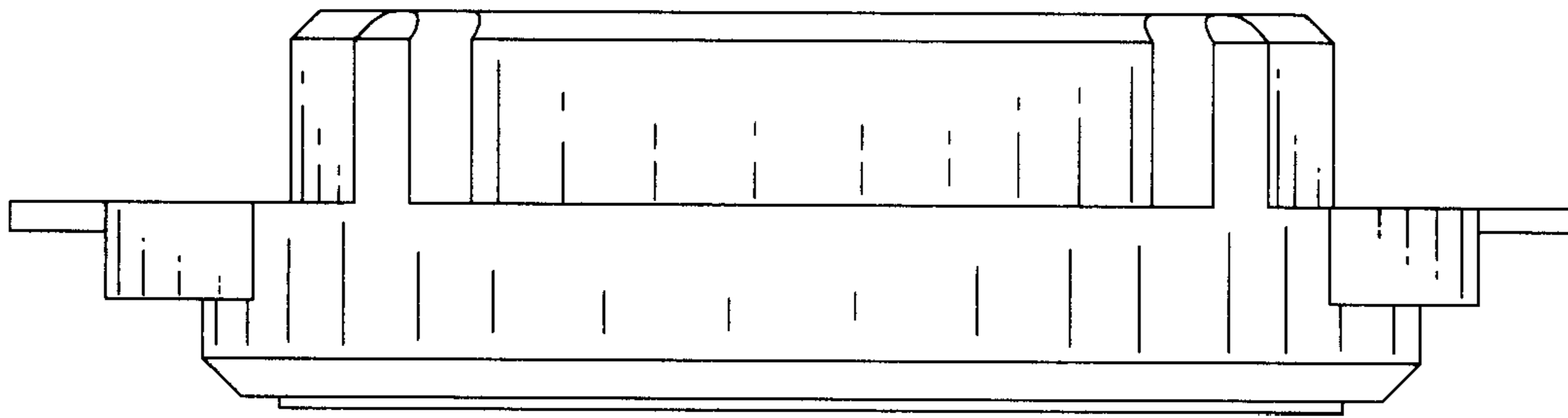


FIG. 7