

US00D538793S

(12) **United States Design Patent**
Ma et al.

(10) **Patent No.: US D538,793 S**
(45) **Date of Patent: ** Mar. 20, 2007**

(54) **MICROPHONE**

(75) Inventors: **Jeong J. Ma**, Buffalo Grove, IL (US);
Thomas E. Gitzinger, Libertyville, IL
(US); **David P. Townsend**, Village of
Lakewood, IL (US)

(73) Assignee: **Motorola, Inc.**, Schaumburg, IL (US)

(**) Term: **14 Years**

(21) Appl. No.: **29/244,579**

(22) Filed: **Dec. 12, 2005**

(51) **LOC (8) Cl.** **14-01**

(52) **U.S. Cl.** **D14/225**

(58) **Field of Classification Search** D14/188,
D14/192, 137, 205, 206, 226, 227, 228, 229;
181/129, 130; 379/430, 431, 432; 381/381,
381/380, 379, 378, 377, 376, 374, 370, 104,
381/189, 321, 324, 322

See application file for complete search history.

(56) **References Cited**

U.S. PATENT DOCUMENTS

2,971,065 A * 2/1961 Busse 381/321
4,069,400 A * 1/1978 Johanson et al. 381/324
D287,764 S * 1/1987 Topholm D24/174

D346,598 S * 5/1994 McCay et al. D14/137
D386,764 S * 11/1997 Lake D14/225
D389,153 S * 1/1998 Litzau D14/228
D392,979 S * 3/1998 Inukai D14/228
D418,512 S * 1/2000 Lin et al. D14/227
D442,946 S * 5/2001 Pohl et al. D14/225
D481,709 S * 11/2003 Solderits D14/228

* cited by examiner

Primary Examiner—Paula A. Greene

(74) *Attorney, Agent, or Firm*—David S. Noskowicz

(57) **CLAIM**

An ornamental microphone, as shown and described.

DESCRIPTION

FIG. 1 is a front perspective view of a microphone showing our new design;

FIG. 2 is a front elevational view thereof;

FIG. 3 is a rear elevational view thereof;

FIG. 4 is a bottom plan view thereof;

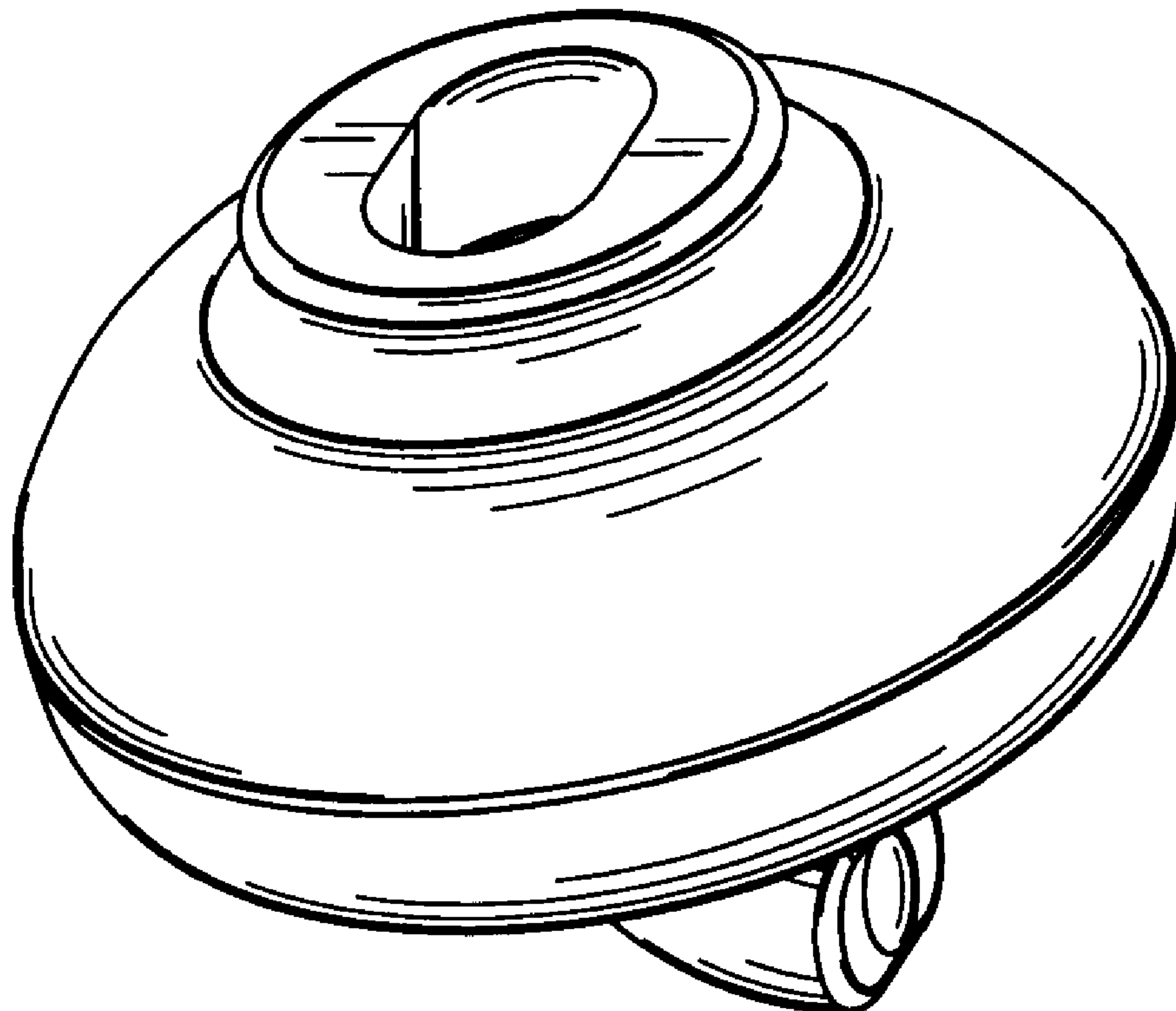
FIG. 5 is a side elevational view thereof;

FIG. 6 is an opposite side elevational view thereof; and,

FIG. 7 is an opposite side elevational view of FIG. 6 thereof.

The broken lines are for illustrative purposes only and forms no part of the claimed design.

1 Claim, 4 Drawing Sheets



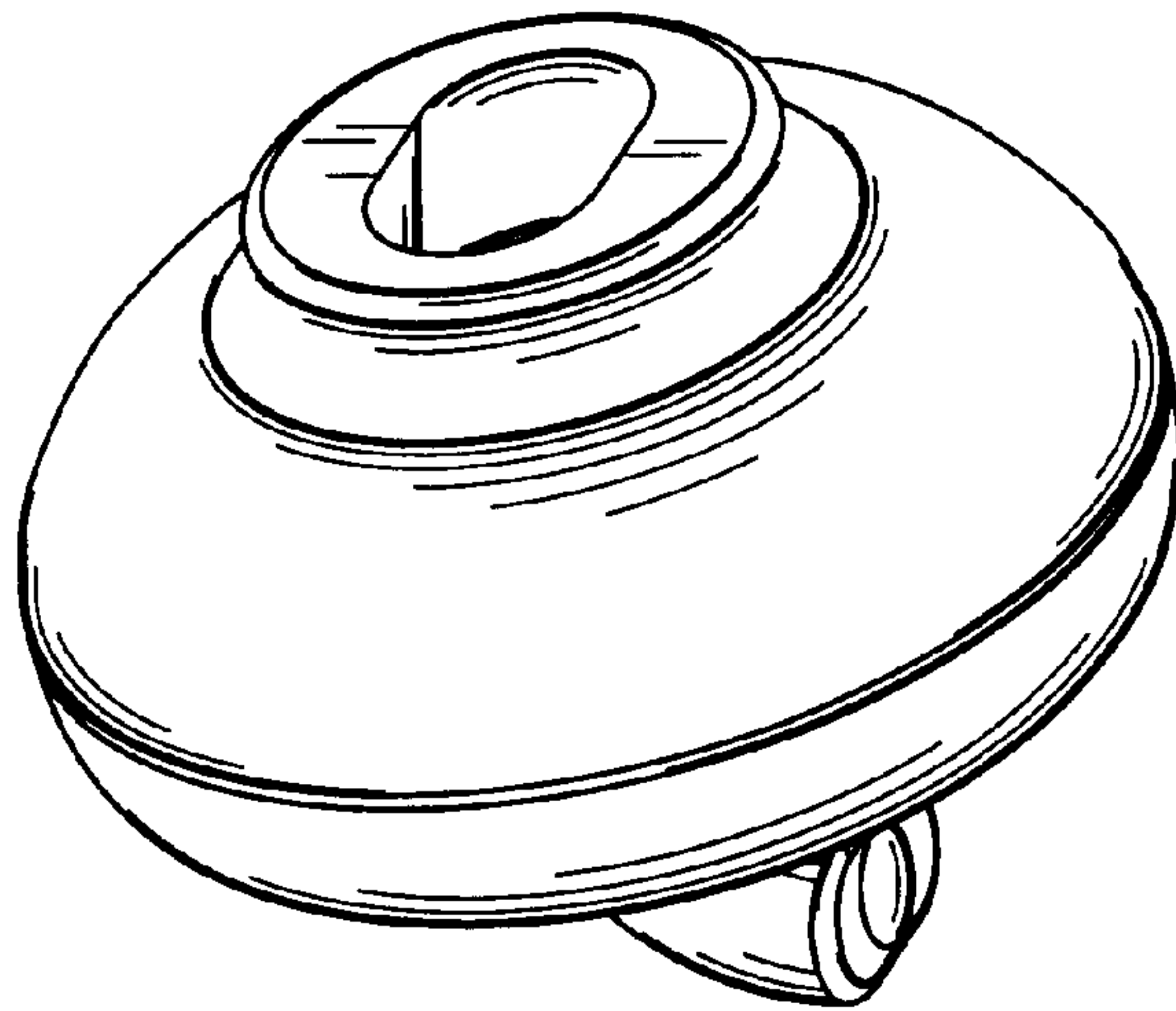


FIG. 1

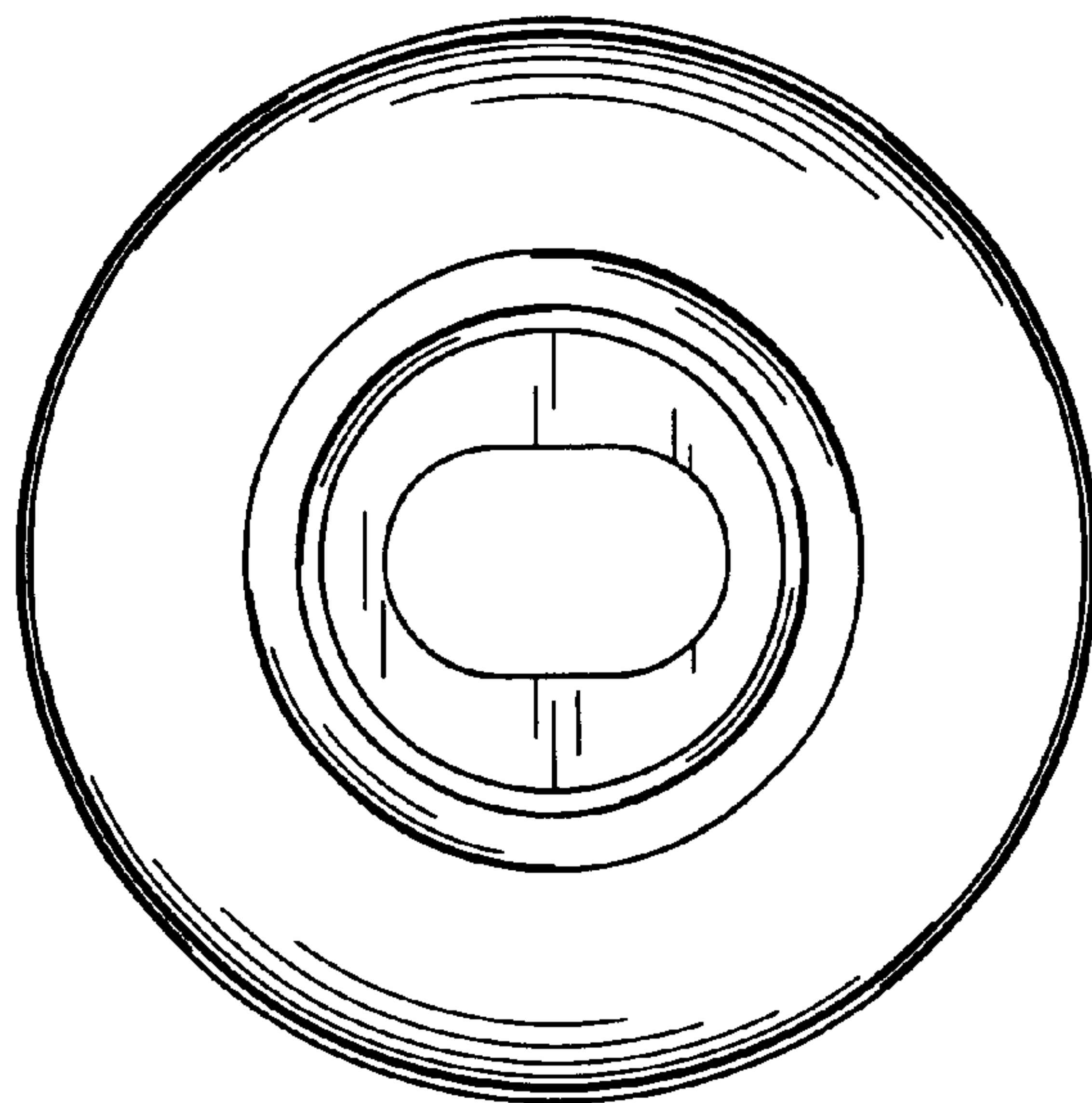


FIG. 2

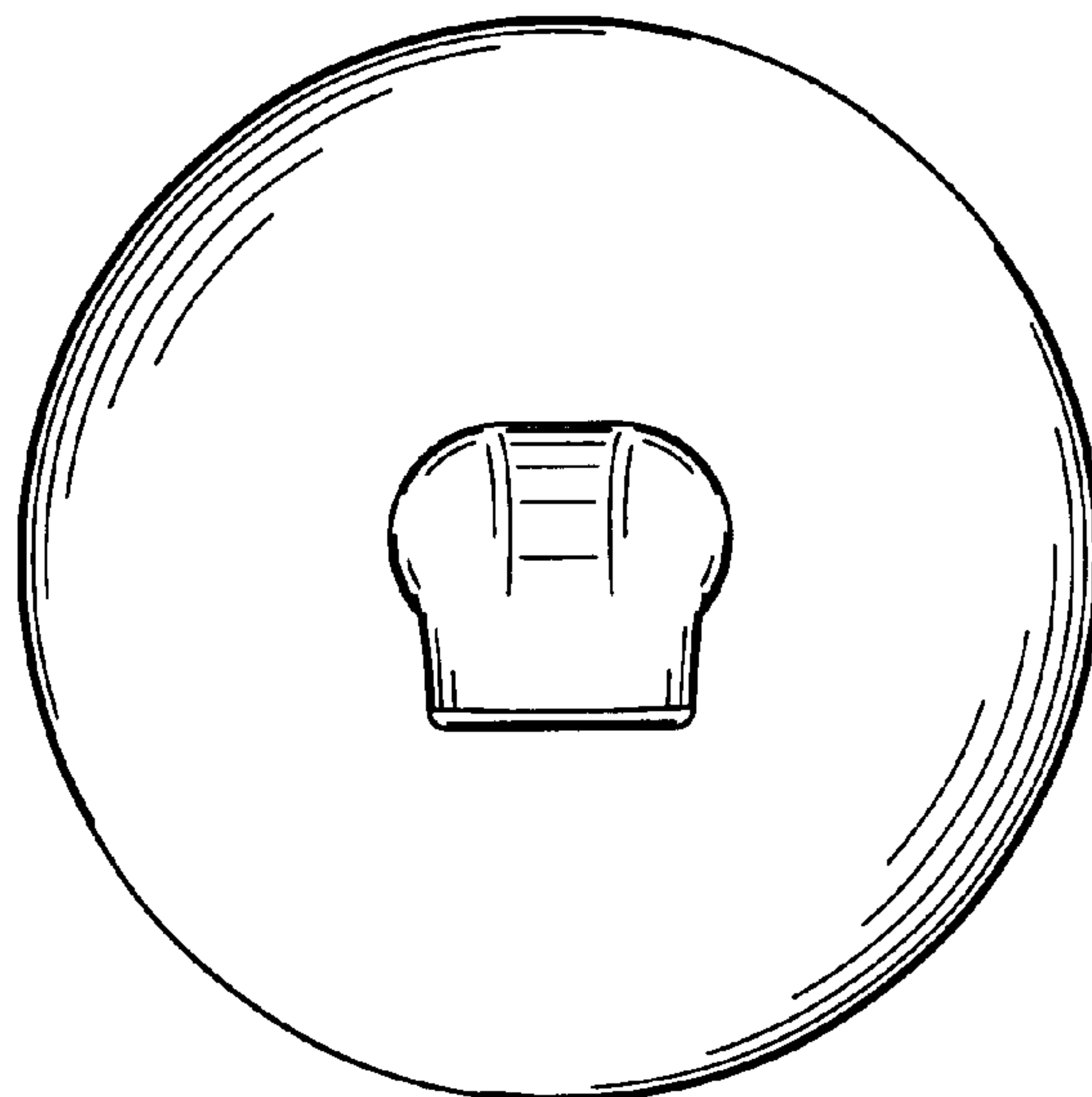


FIG. 3

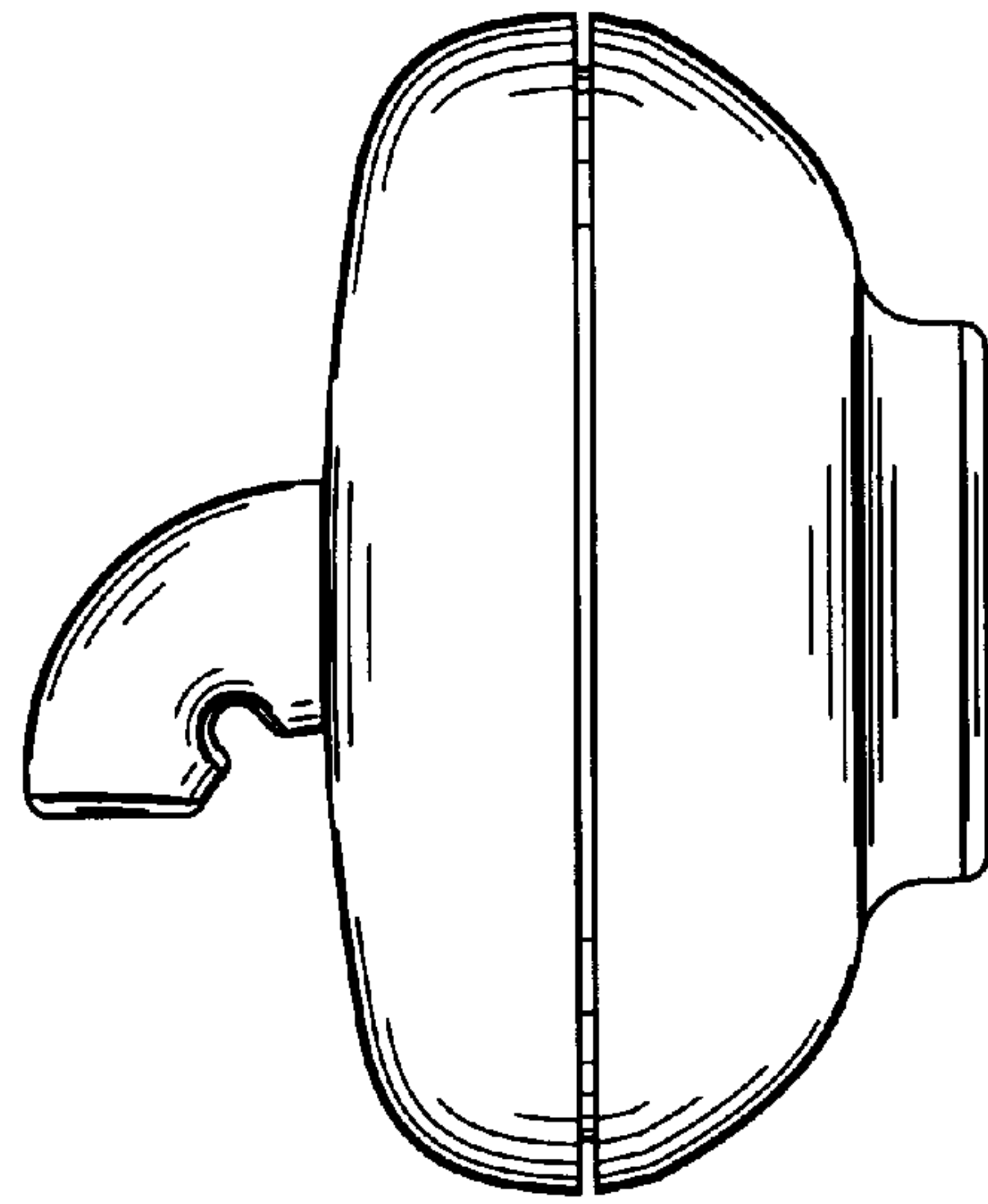


FIG. 4

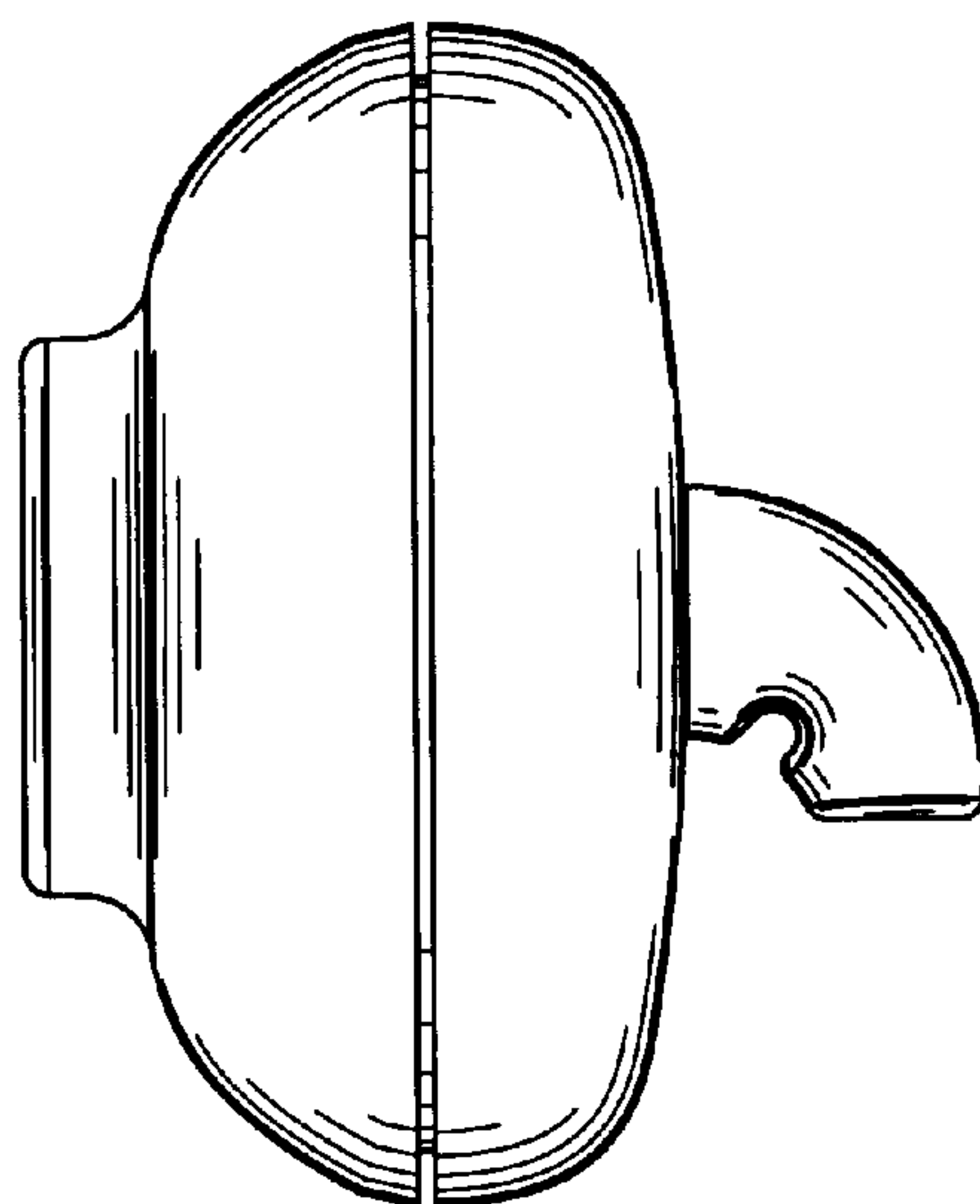


FIG. 5

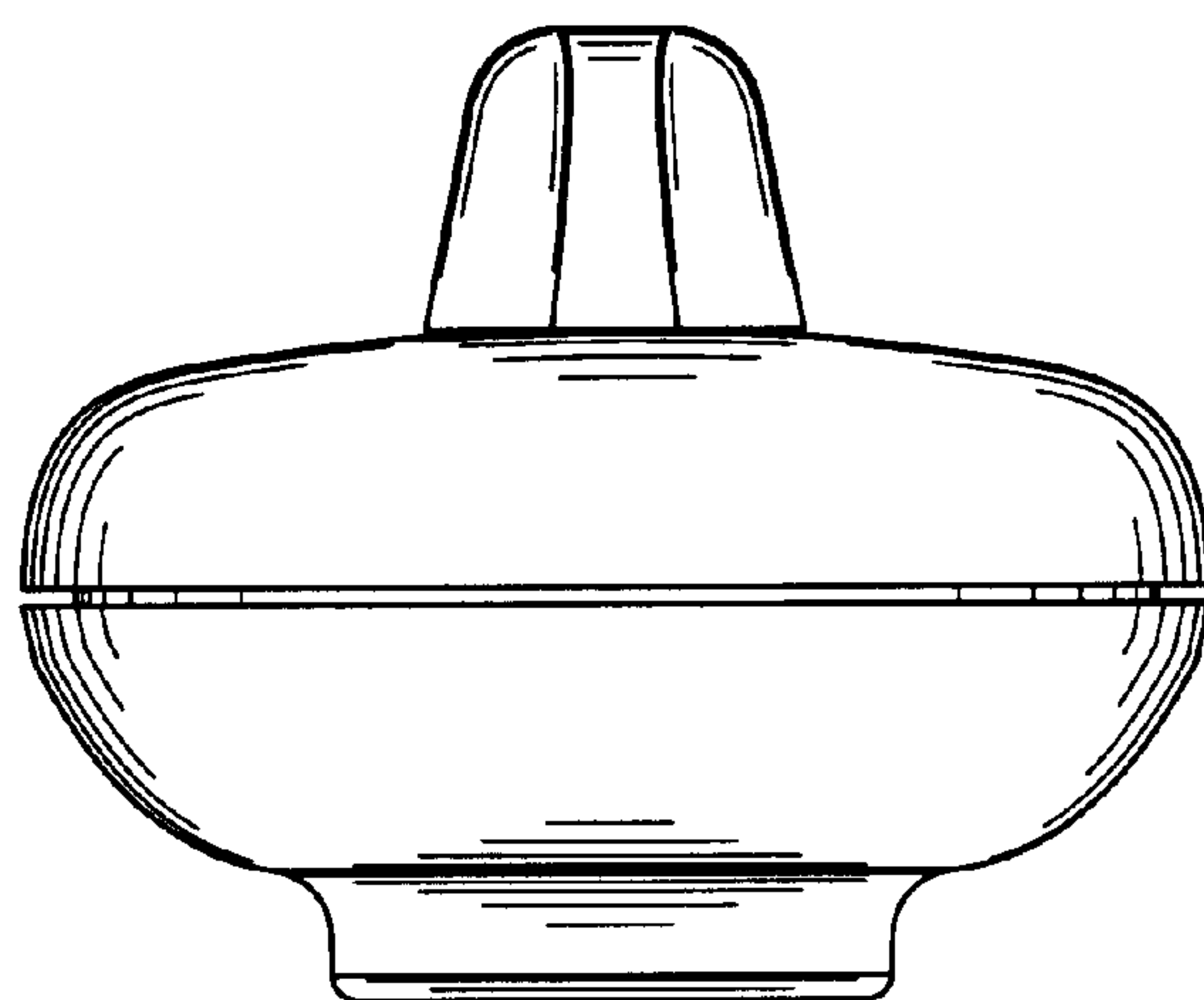


FIG. 6

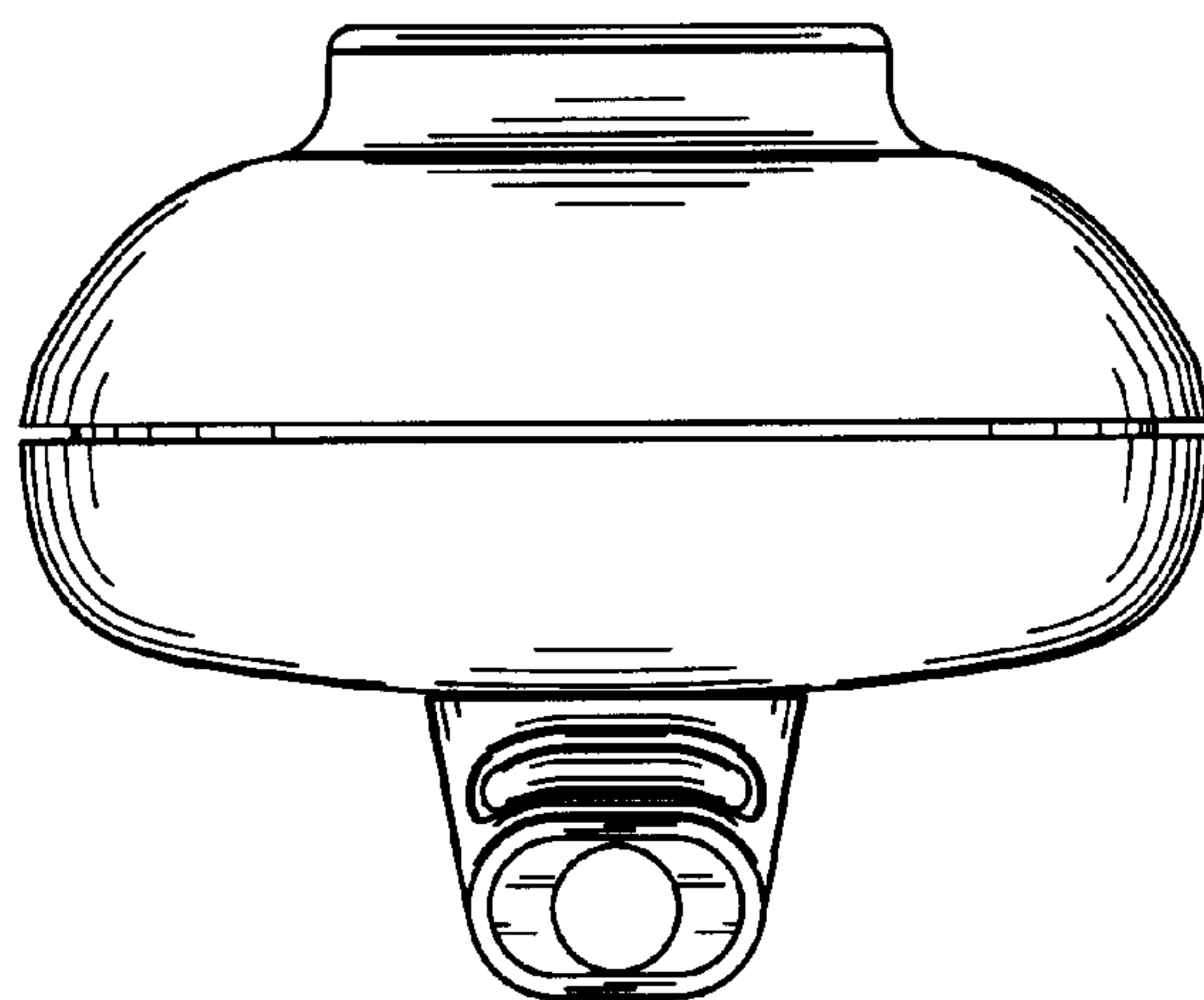


FIG. 7