



US00D538791S

(12) **United States Design Patent**  
**Nguyen et al.**

(10) **Patent No.:** **US D538,791 S**

(45) **Date of Patent:** **\*\* Mar. 20, 2007**

(54) **FRONT PORTION OF DIAPHRAGM**

(75) Inventors: **An D. Nguyen**, West Hills, CA (US);  
**Charles M. Sprinkle**, Ventura, CA (US)

(73) Assignee: **Harman International Industries, Incorporated**, Northridge, CA (US)

(\*\*) Term: **14 Years**

(21) Appl. No.: **29/220,706**

(22) Filed: **Jan. 4, 2005**

(51) **LOC (8) Cl.** ..... **14-01**

(52) **U.S. Cl.** ..... **D14/222**

(58) **Field of Classification Search** ..... D14/204,  
D14/207, 217; D7/359, 388, 409; D9/425,  
D9/431, 456; 181/143-148, 150-153, 198-199;  
206/445, 511, 558; 381/300-302, 306, 333,  
381/345, 361-364, 386-388, 332, 336; 211/14,  
211/59.4, 74; 229/406-407, 90

See application file for complete search history.

(56) **References Cited**

**U.S. PATENT DOCUMENTS**

3,104,044 A \* 9/1963 Reifers ..... 229/407  
3,651,976 A \* 3/1972 Chadbourne ..... 229/406

3,700,096 A \* 10/1972 Reifers ..... 229/407  
3,778,516 A \* 12/1973 Cornelius ..... 426/119  
5,018,623 A \* 5/1991 Hrenyo ..... 206/557  
D378,192 S \* 2/1997 Krupa et al. .... D9/425  
D382,795 S \* 8/1997 Abayhan et al. .... D9/425

\* cited by examiner

*Primary Examiner*—Nanda Bondade

(74) *Attorney, Agent, or Firm*—Plumsea Law Group, LLC

(57) **CLAIM**

We claim the ornamental design for a front portion of a diaphragm, as shown and described.

**DESCRIPTION**

FIG. 1 is a top perspective view of a front portion of a diaphragm of the present invention;

FIG. 2 is a bottom perspective view thereof;

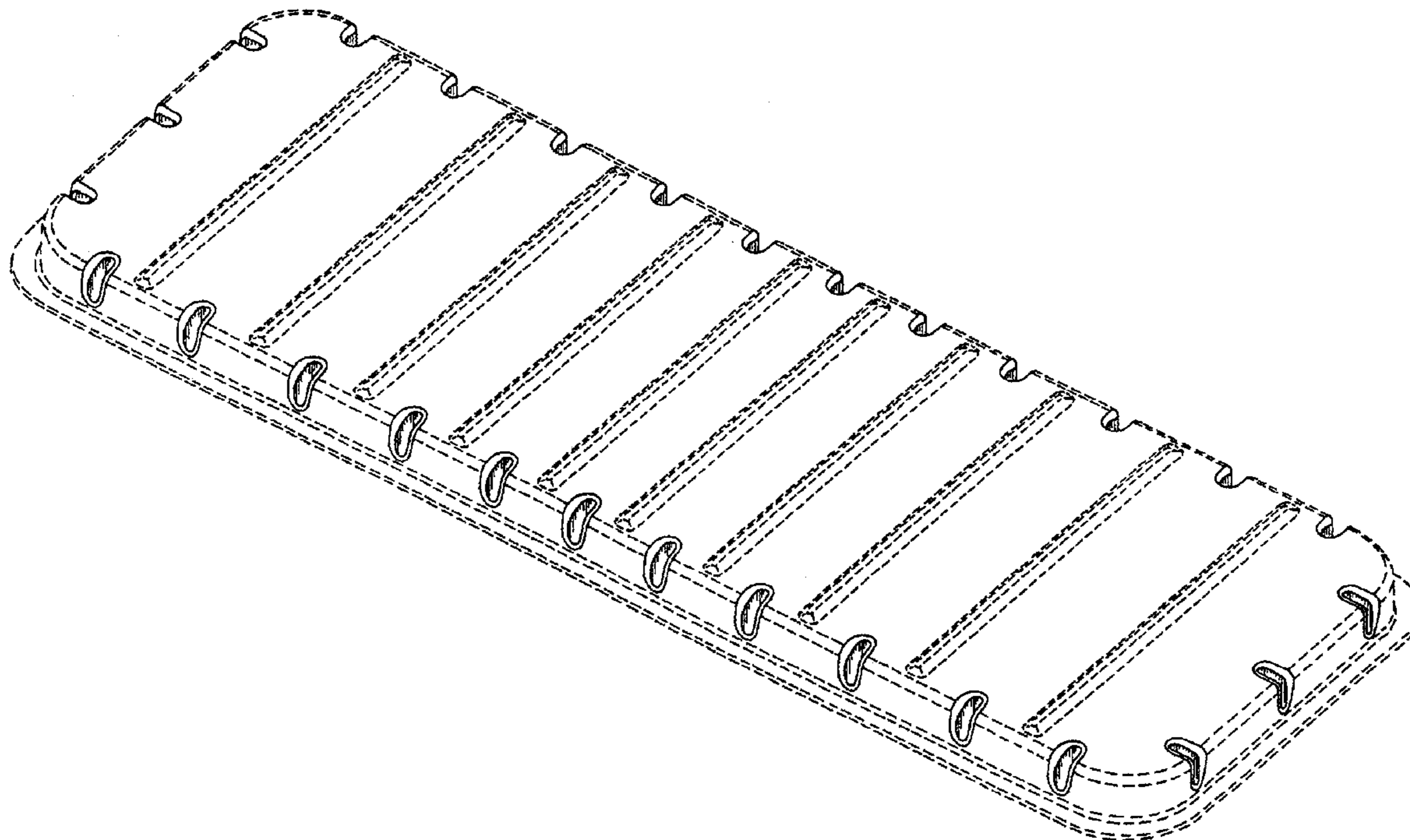
FIG. 3 is a top view thereof; and,

FIG. 4 is a top view thereof with a surround.

The ornamental design which is claimed is shown in solid lines in the drawings. Any broken lines in the drawings are for illustrative purposes only and form no part of the claimed design.

The broken line showing on the drawing disclosure is for illustrative purposes only and forms no part of the claimed design.

**1 Claim, 4 Drawing Sheets**



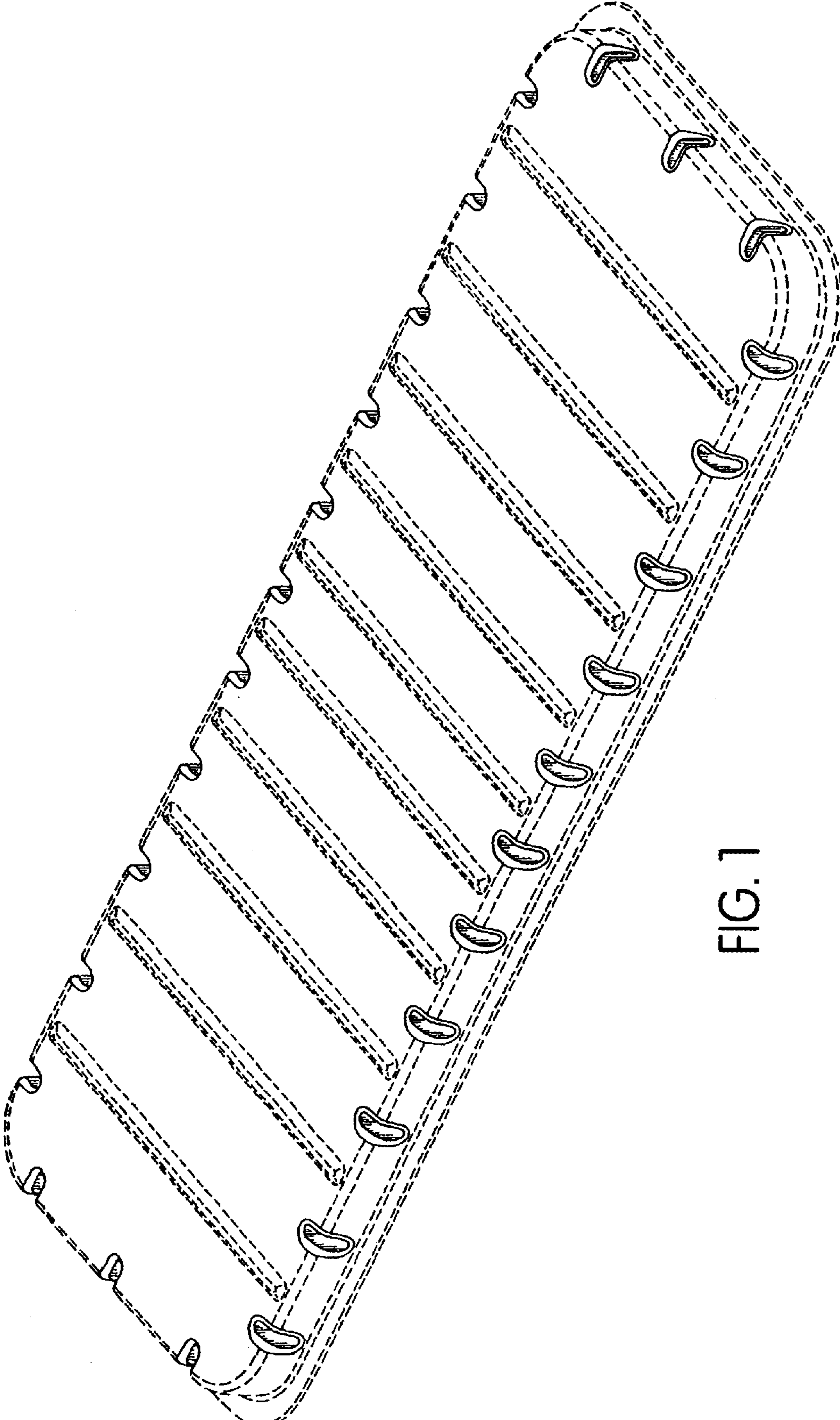


FIG. 1

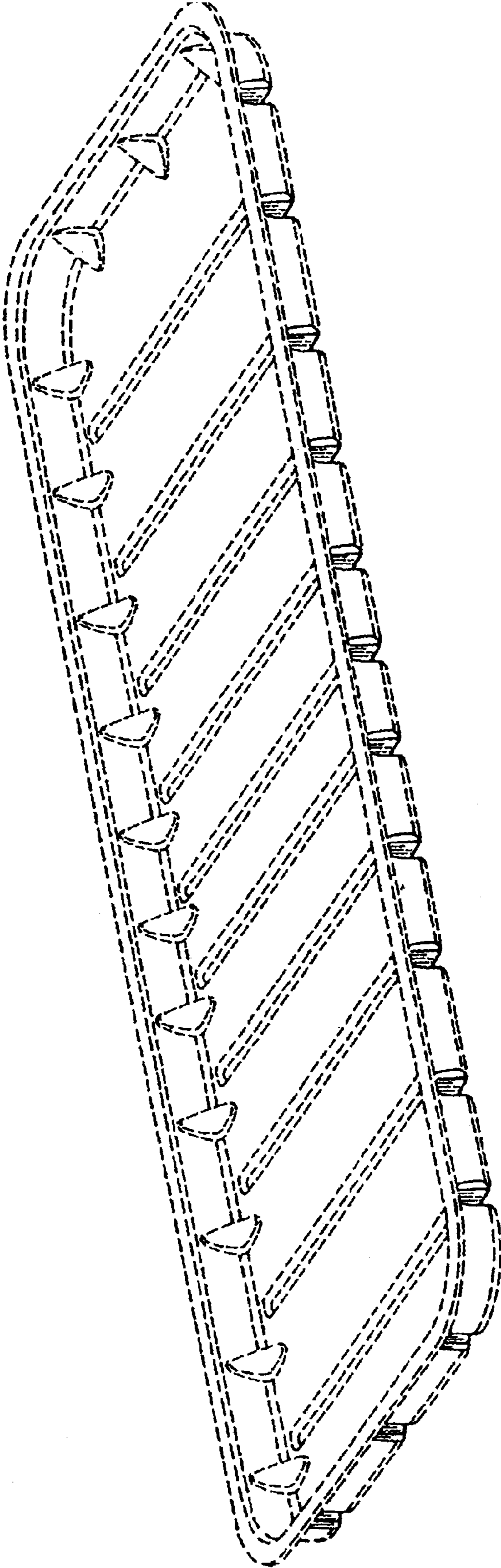


FIG. 2

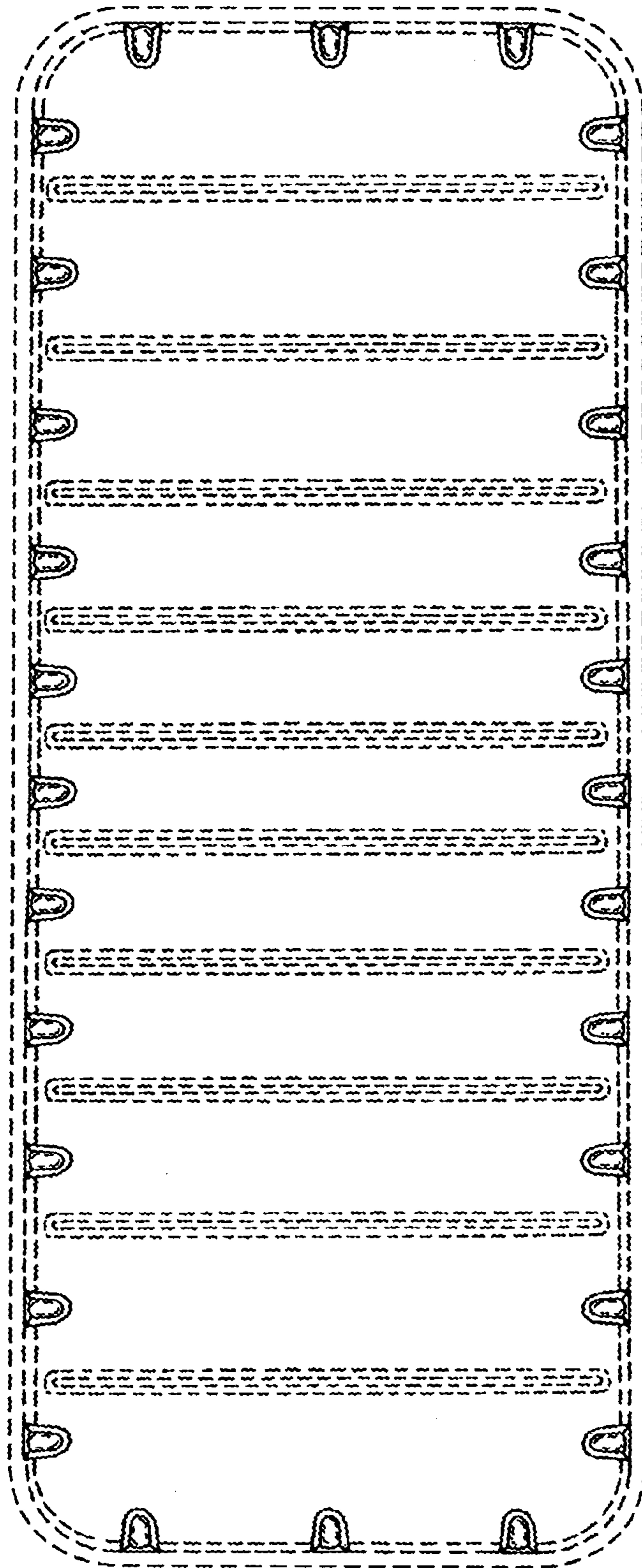


FIG. 3

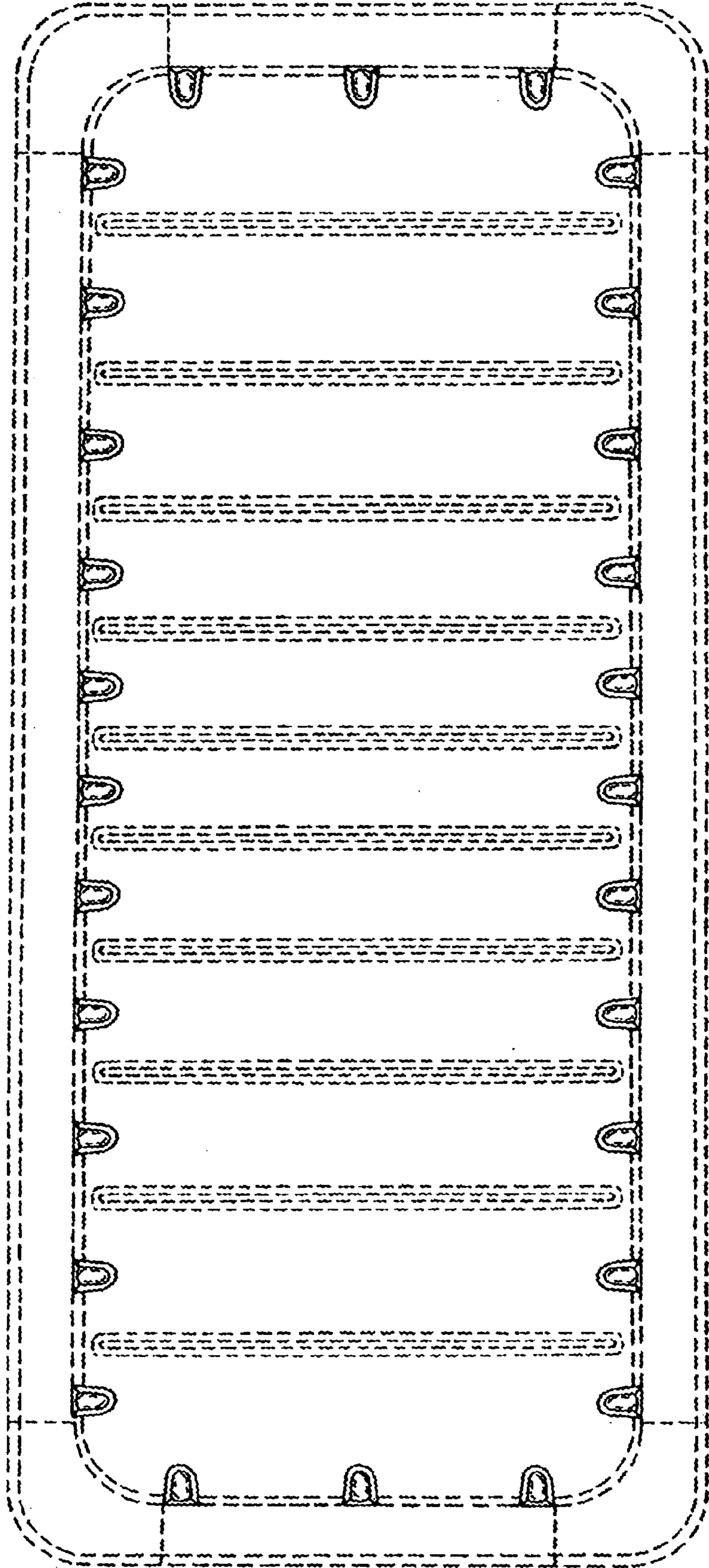


FIG. 4