



US00D538786S

(12) **United States Design Patent**
Carbone

(10) **Patent No.:** **US D538,786 S**

(45) **Date of Patent:** **** Mar. 20, 2007**

(54) **LOUDSPEAKER ENCLOSURE**

(75) Inventor: **Richard J. Carbone**, Sterling, MA
(US)

(73) Assignee: **Bose Corporation**, Framingham, MA
(US)

(**) Term: **14 Years**

(21) Appl. No.: **29/239,018**

(22) Filed: **Sep. 23, 2005**

(51) **LOC (8) Cl.** **14-01**

(52) **U.S. Cl.** **D14/214**

(58) **Field of Classification Search** D14/204,
D14/209-215, 349-350; 181/143-144, 147-148,
181/150, 157, 198-199, 151, 153; 381/300-302,
381/306, 333, 345, 361-364, 386-388, 332,
381/336

See application file for complete search history.

(56) **References Cited**

U.S. PATENT DOCUMENTS

4,805,730 A * 2/1989 O'Neill et al. 181/148

D380,743 S * 7/1997 Avalos et al. D14/350
D392,289 S * 3/1998 Isonaga D14/214
D410,006 S * 5/1999 Miyazaki D14/214
D432,117 S * 10/2000 Miyazaki D14/214
D435,539 S * 12/2000 Tsuge D14/214
D476,312 S * 6/2003 Harris et al. D14/214

* cited by examiner

Primary Examiner—Nanda Bondade

(74) *Attorney, Agent, or Firm*—Fish & Richardson P.C.

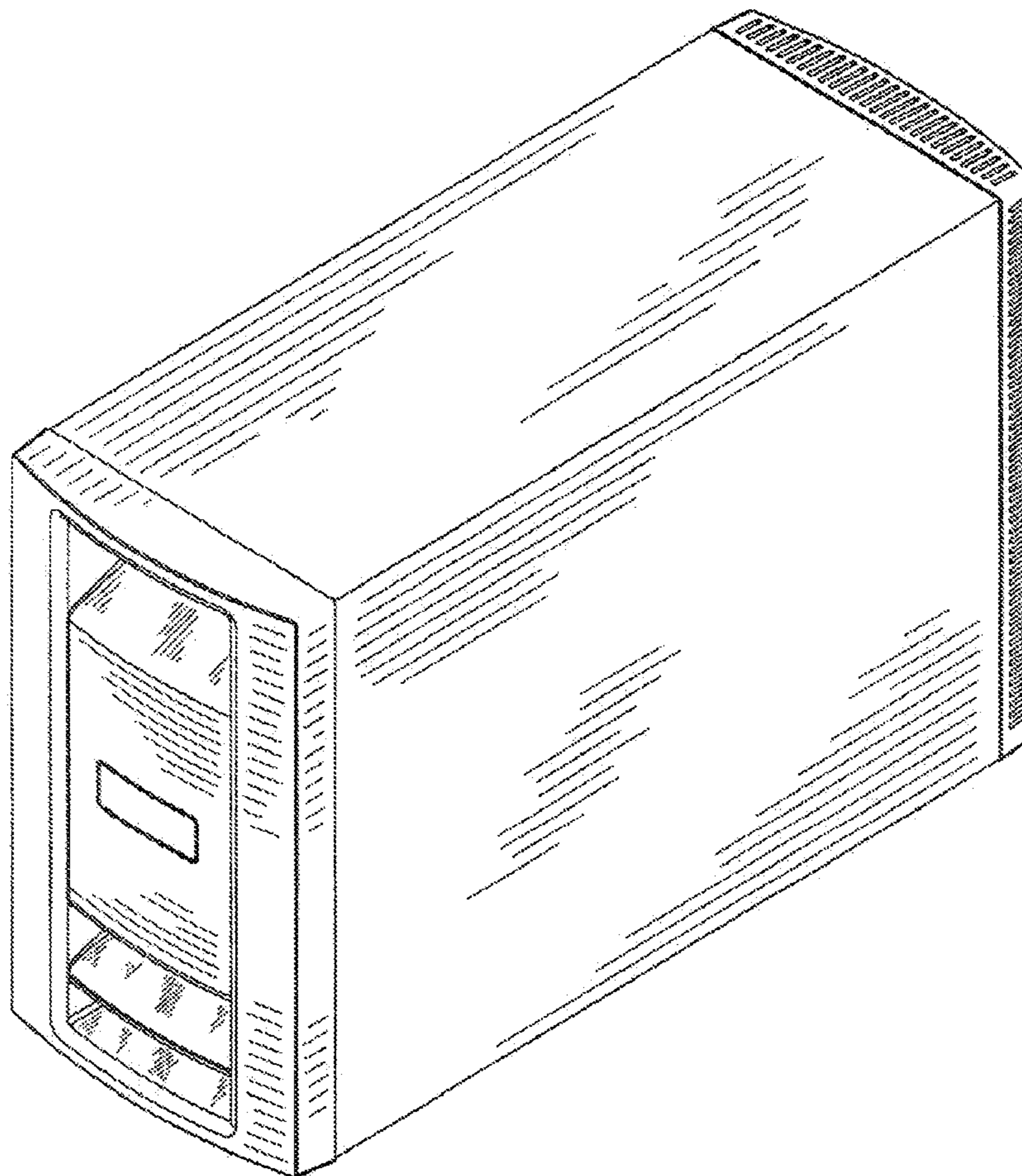
(57) **CLAIM**

The ornamental design for a loudspeaker enclosure, substantially as shown and described.

DESCRIPTION

FIG. 1 is a perspective view of the invention;
FIG. 2 is a front view thereof;
FIG. 3 is a rear view thereof;
FIG. 4 is a one side view thereof;
FIG. 5 is an opposite side view thereof;
FIG. 6 is a top view thereof; and,
FIG. 7 is a bottom view thereof.

1 Claim, 4 Drawing Sheets



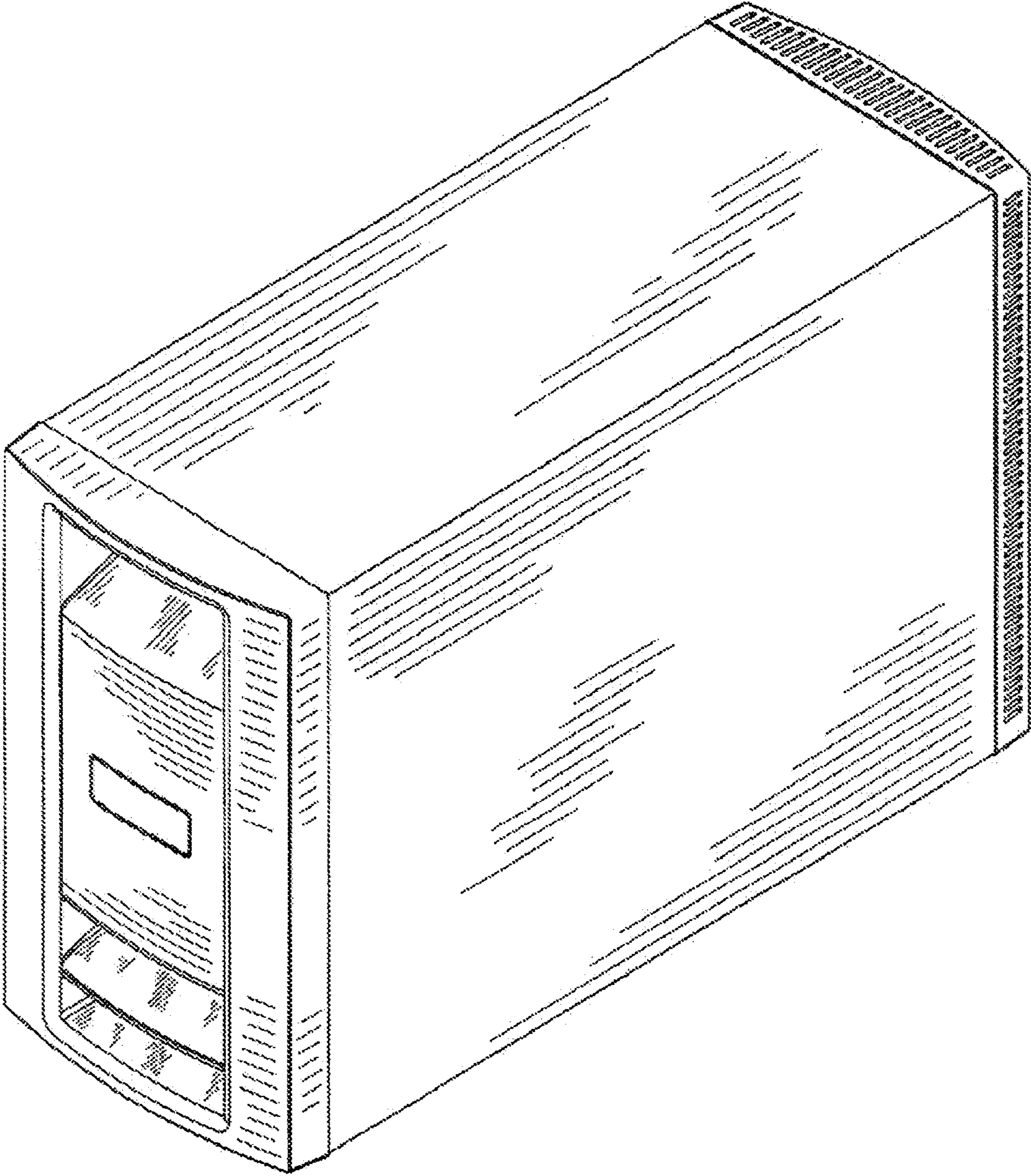


FIG. 1

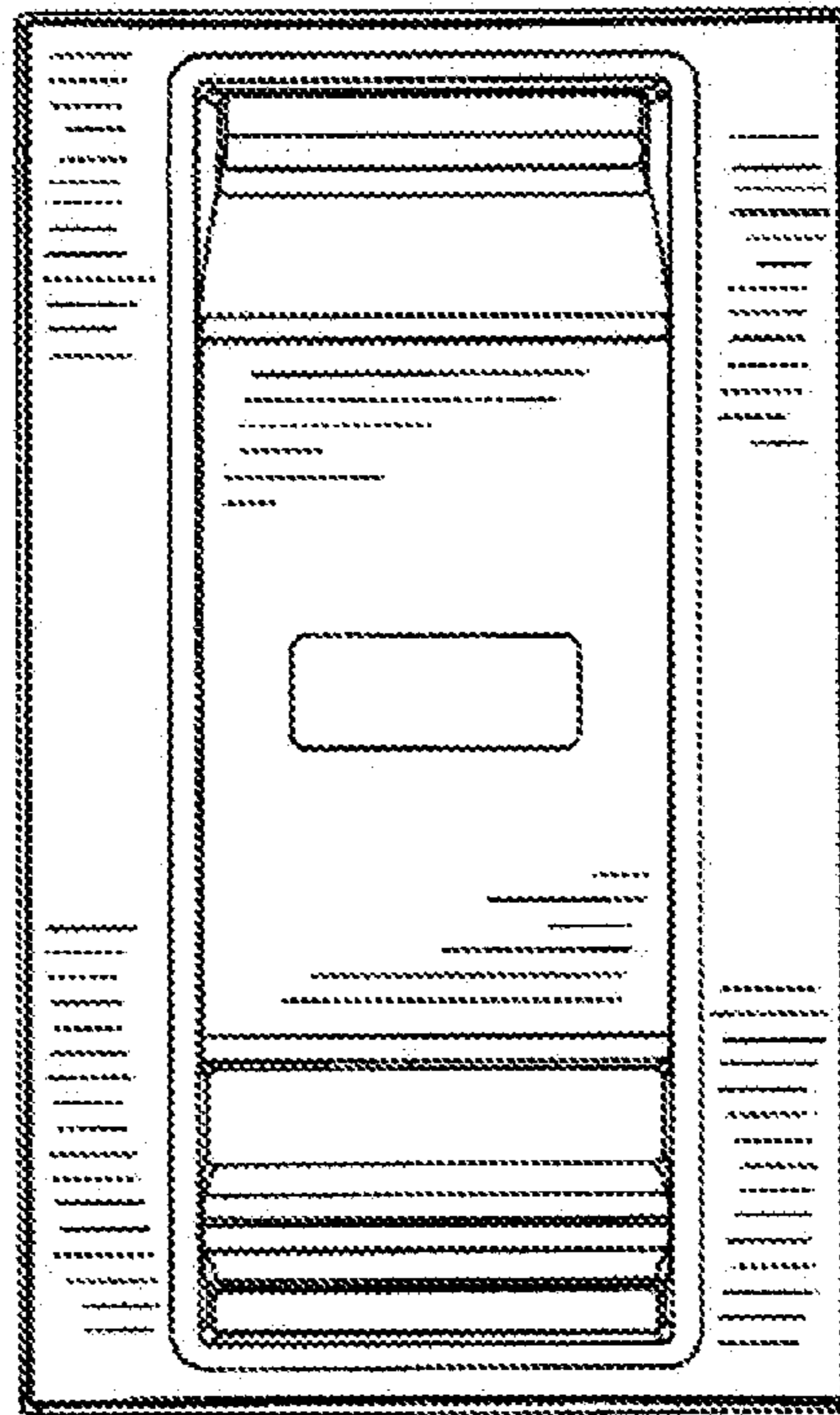


FIG. 2

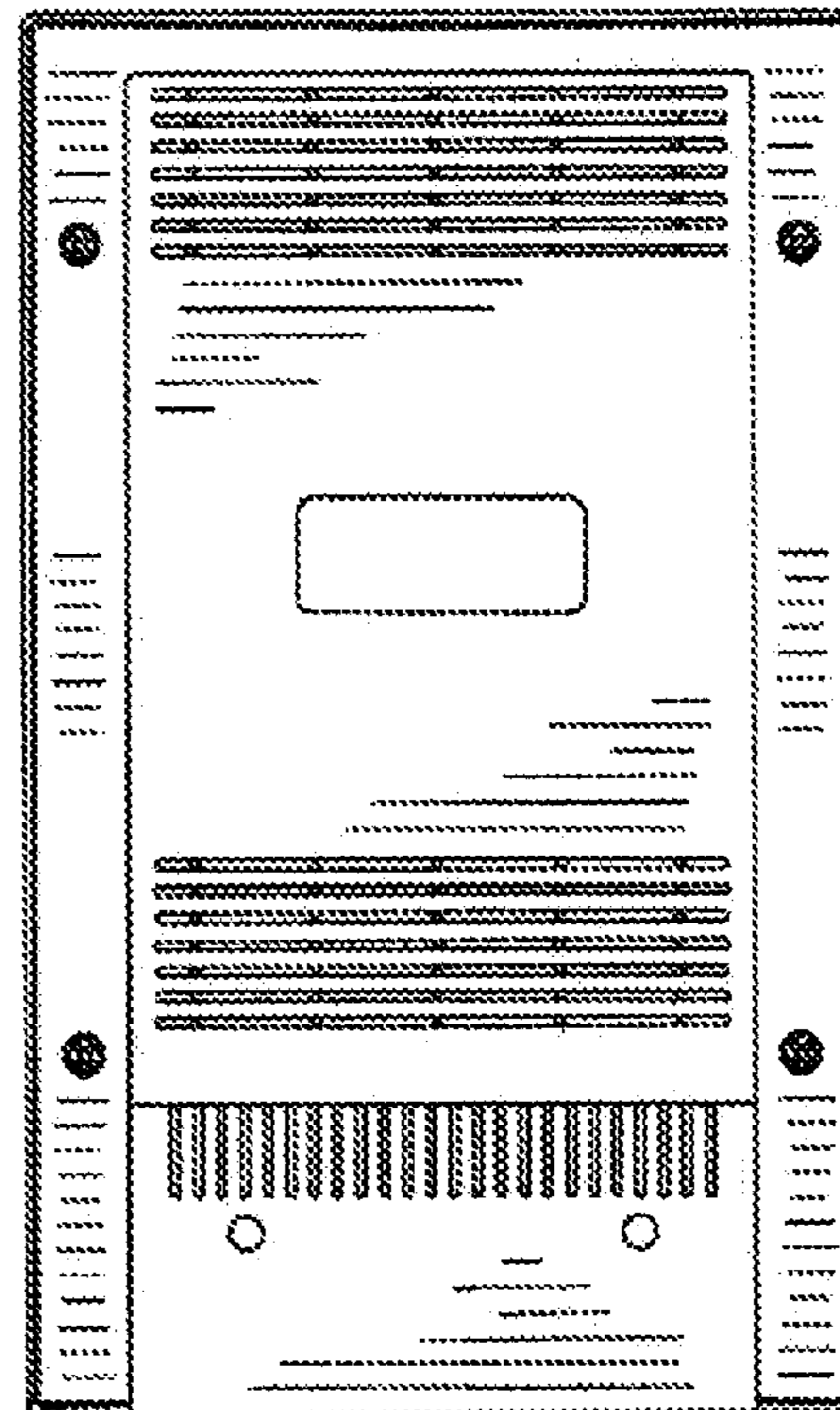


FIG. 3

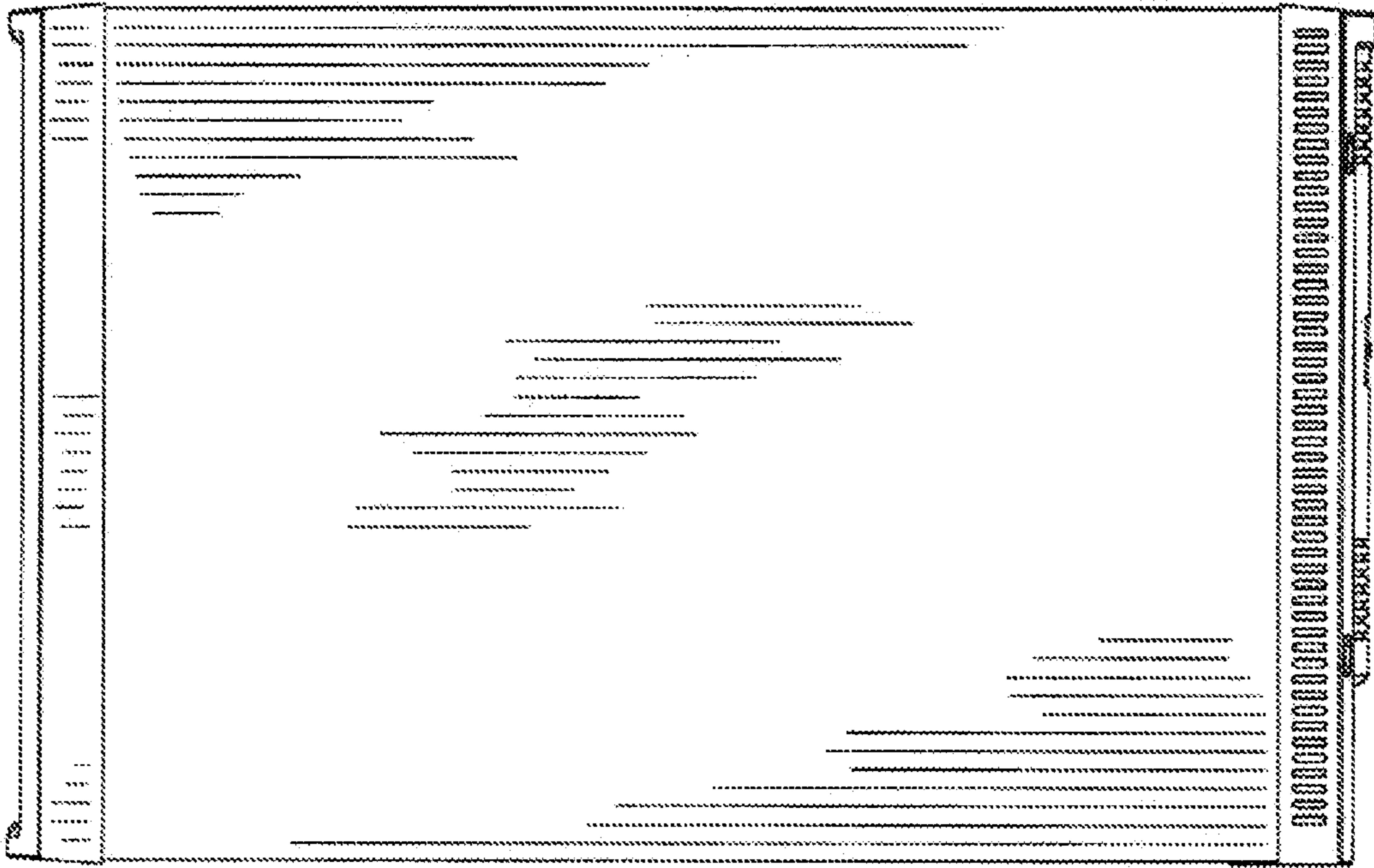


FIG. 4

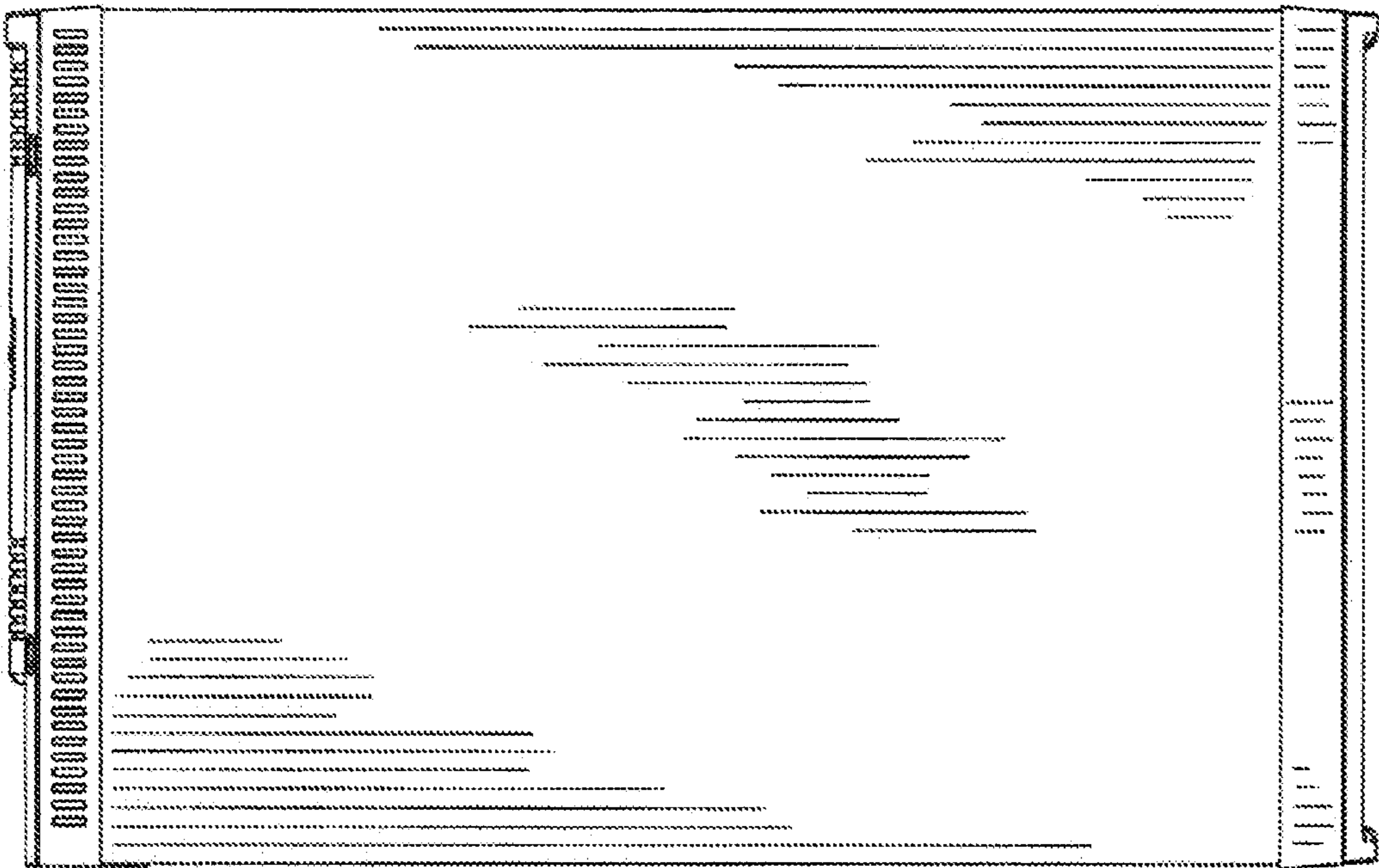


FIG. 5

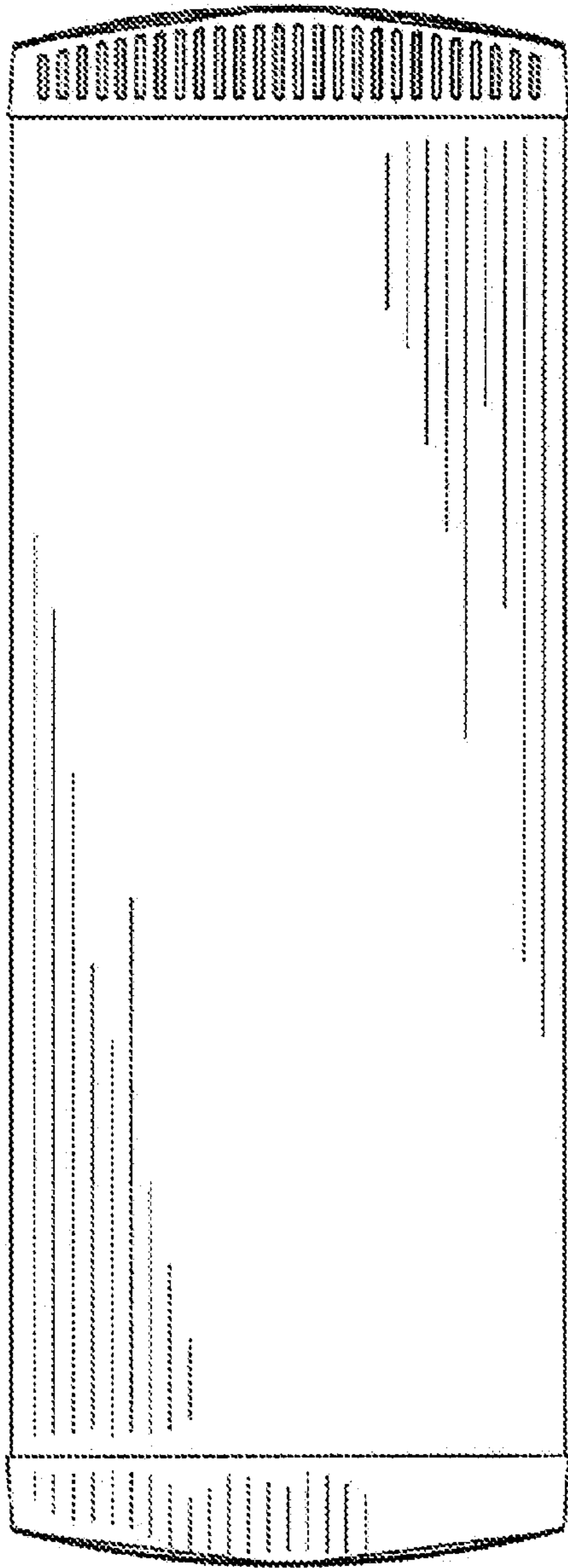


FIG. 6

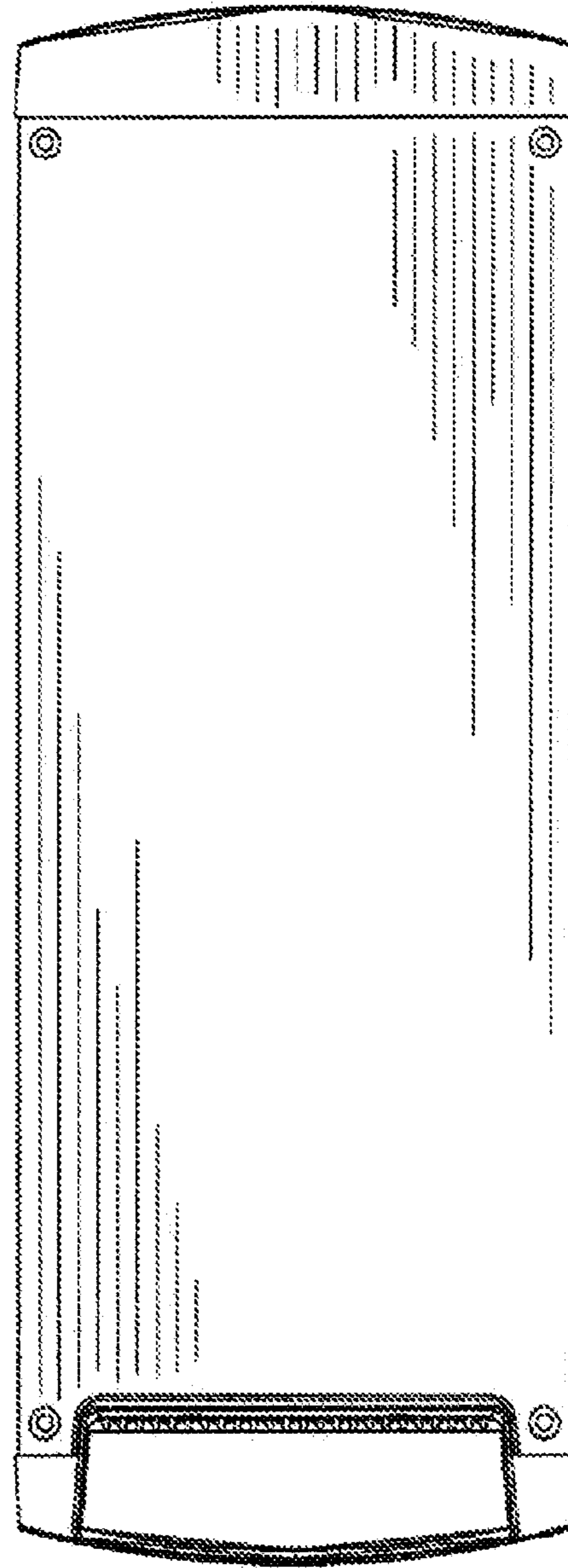


FIG. 7