



US00D538784S

(12) **United States Design Patent**
Eklund

(10) **Patent No.:** **US D538,784 S**

(45) **Date of Patent:** **** Mar. 20, 2007**

(54) **HANDSFREE**

(75) **Inventor:** **Therese Eklund, Lund (SE)**

(73) **Assignee:** **Sony Ericsson Mobile Communications AB, Lund (SE)**

(**) **Term:** **14 Years**

(21) **Appl. No.:** **29/218,791**

(22) **Filed:** **Dec. 8, 2004**

(30) **Foreign Application Priority Data**

Oct. 29, 2004 (EM) 000246764-0001

(51) **LOC (8) Cl.** **14-01**

(52) **U.S. Cl.** **D14/205**

(58) **Field of Classification Search** D14/188,
D14/192, 205, 206, 223, 249; 379/430; 381/380,
381/381; D24/174; 181/129, 130
See application file for complete search history.

(56) **References Cited**

U.S. PATENT DOCUMENTS

D315,350 S * 3/1991 Ikeda D14/223

D340,932 S * 11/1993 Yan D14/249

D357,921 S * 5/1995 Ming-Chin D14/223

D371,368 S * 7/1996 Hayashi D14/223

D463,397 S * 9/2002 Bergfeldt D14/205

D479,834 S * 9/2003 Salazar et al. D14/205

D510,337 S * 10/2005 Tages D14/205

* cited by examiner

Primary Examiner—Paula A. Greene

(74) *Attorney, Agent, or Firm*—Albihns Stockholm AB

(57) **CLAIM**

The ornamental design for a handsfree, as shown.

DESCRIPTION

FIG. 1 is an upper left perspective view of a handsfree according to my new design;

FIG. 2 is a front view thereof;

FIG. 3 is a right side view thereof;

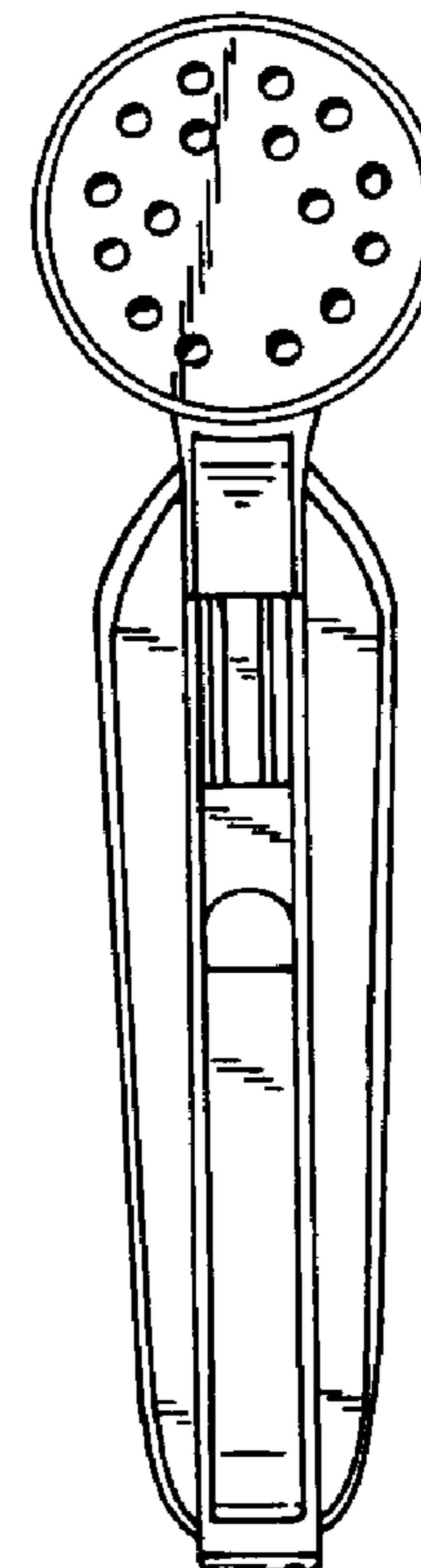
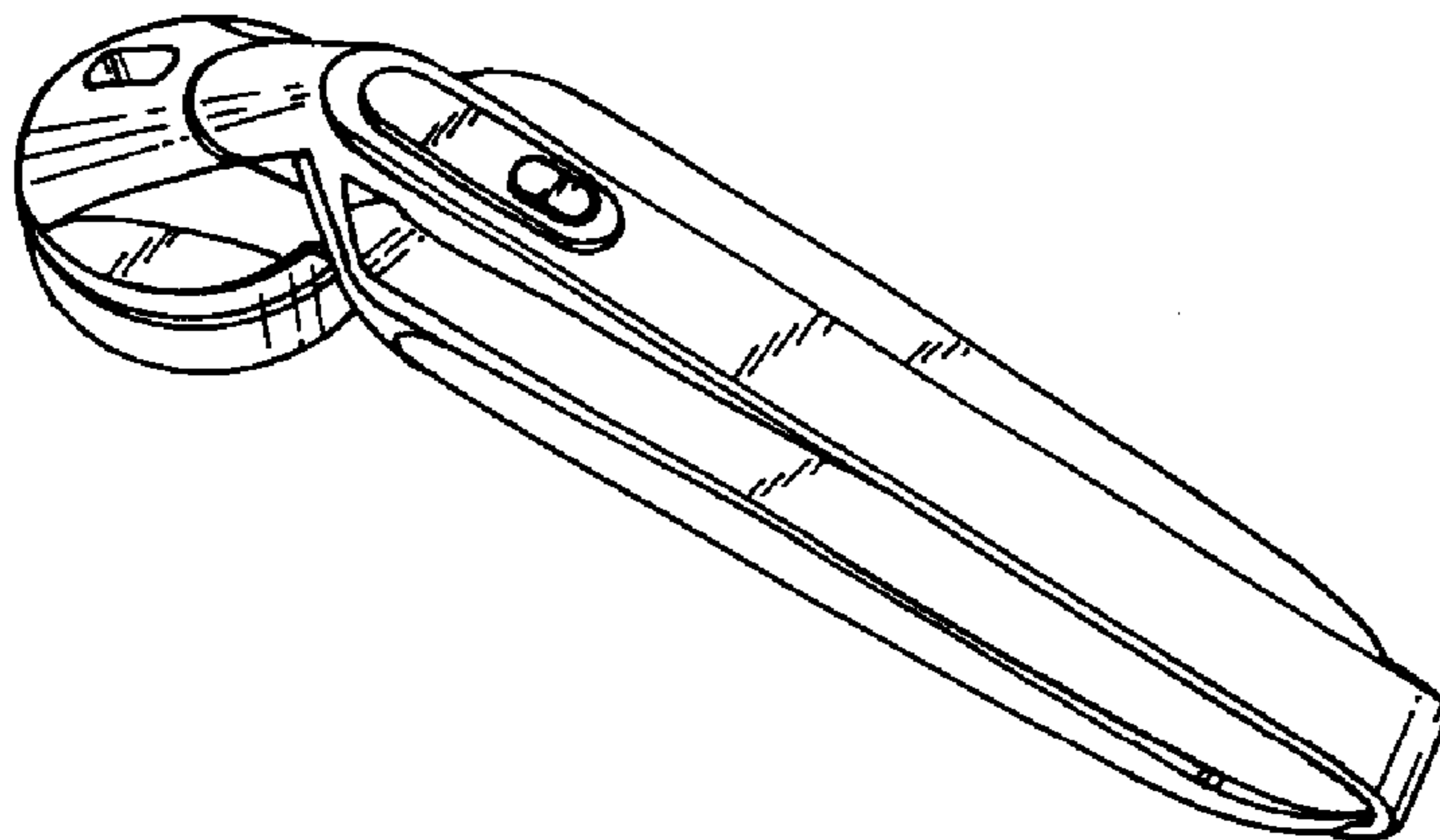
FIG. 4 is a left side view thereof;

FIG. 5 is a rear view thereof;

FIG. 6 is a top view thereof; and,

FIG. 7 is a bottom view thereof.

1 Claim, 1 Drawing Sheet



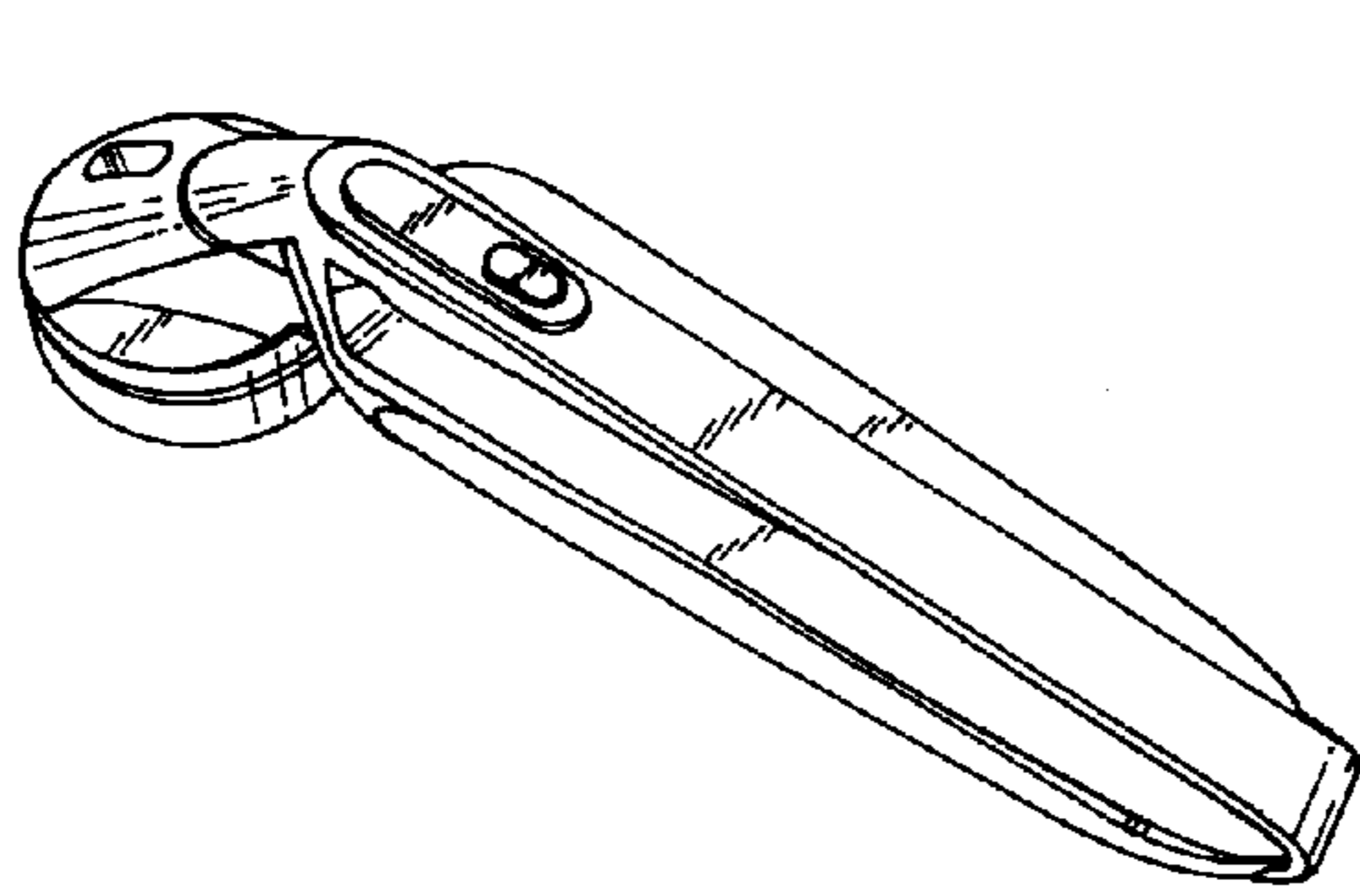


FIG 1

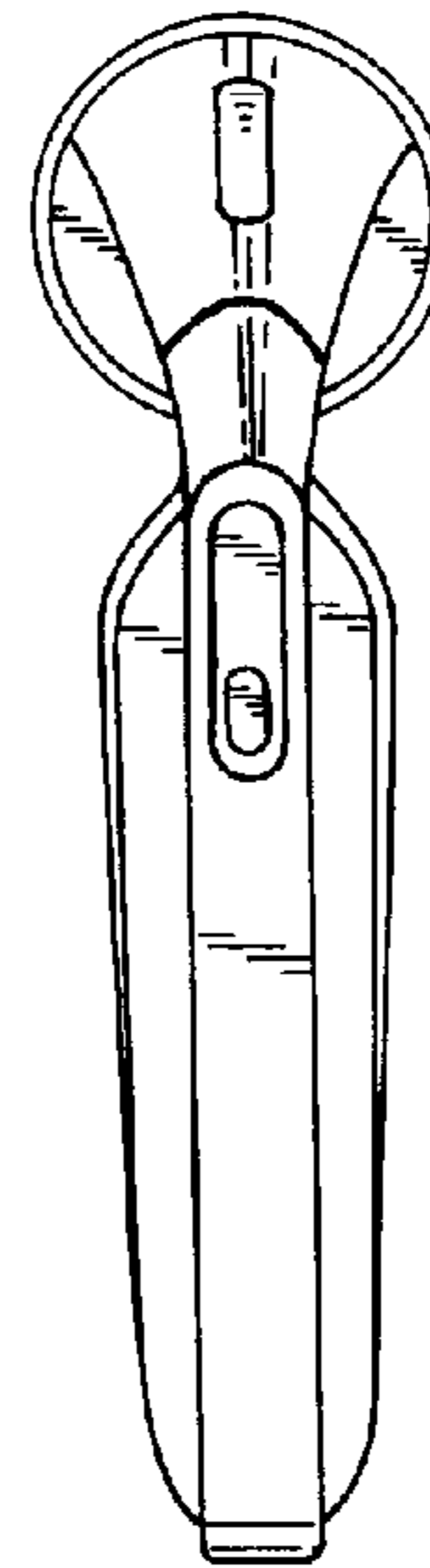


FIG 2

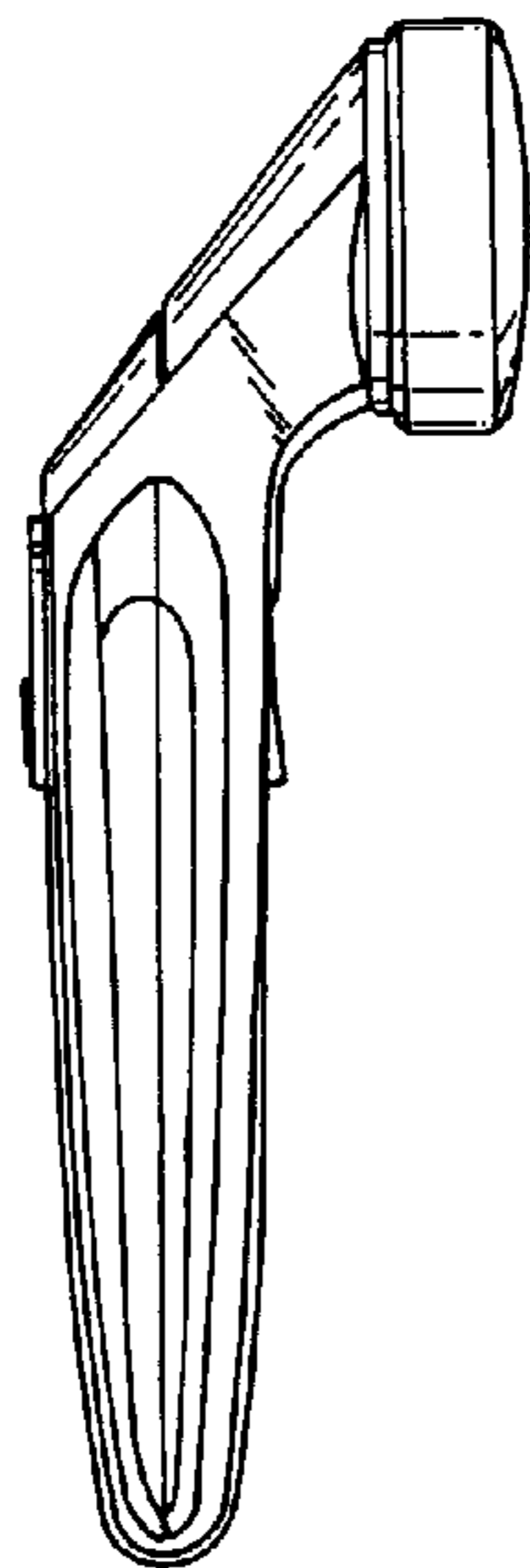


FIG 3

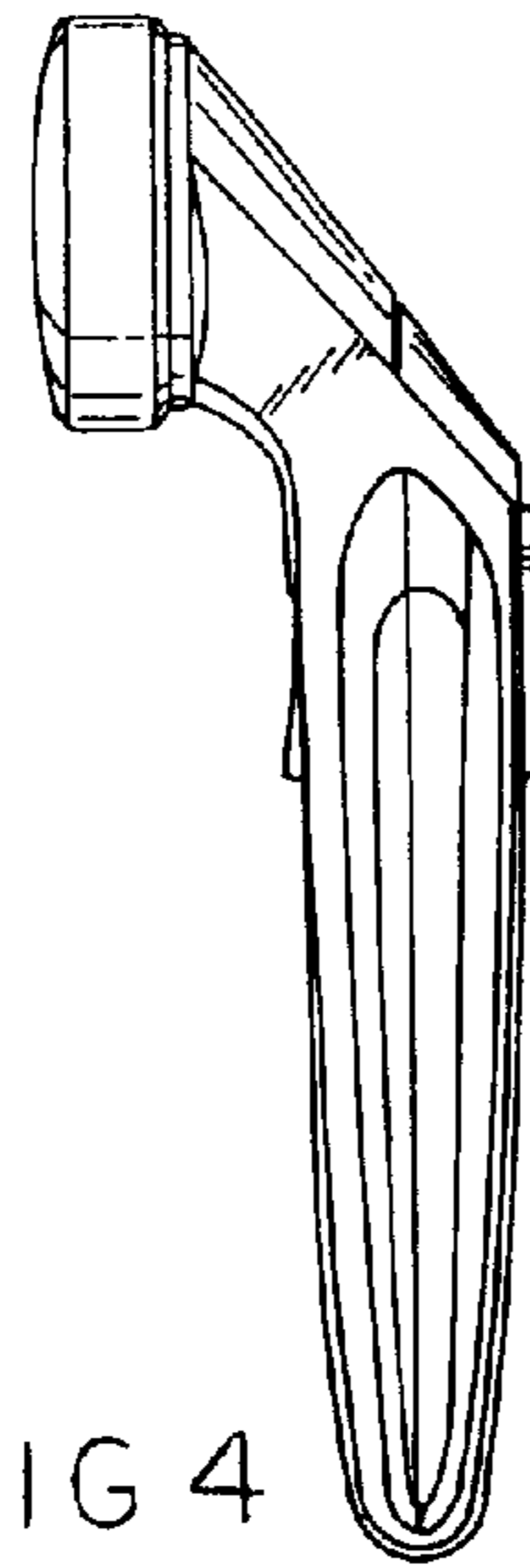


FIG 4

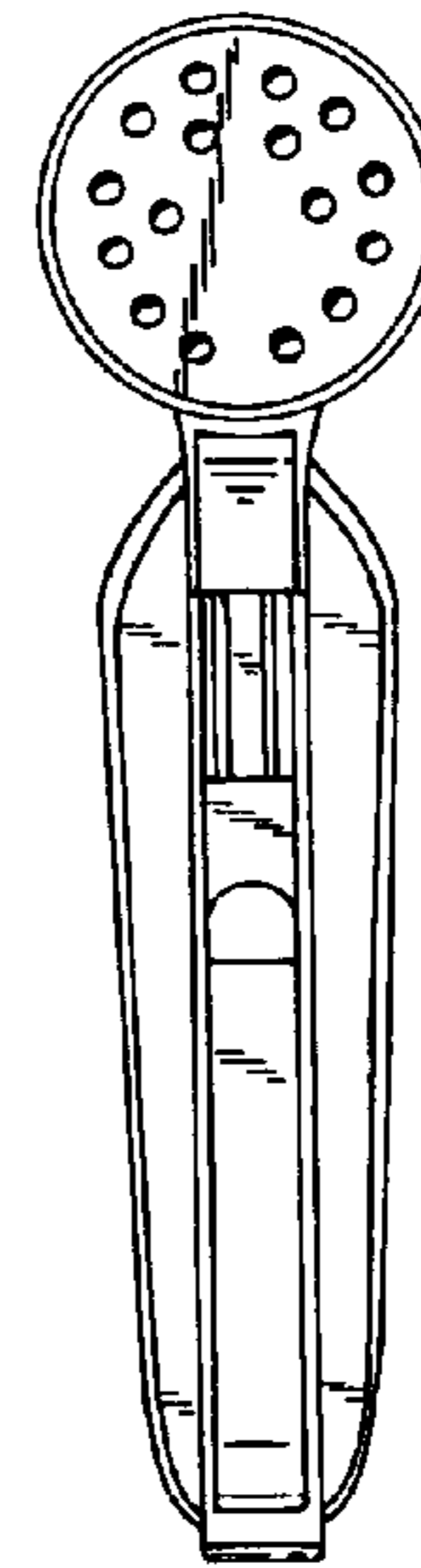


FIG 5

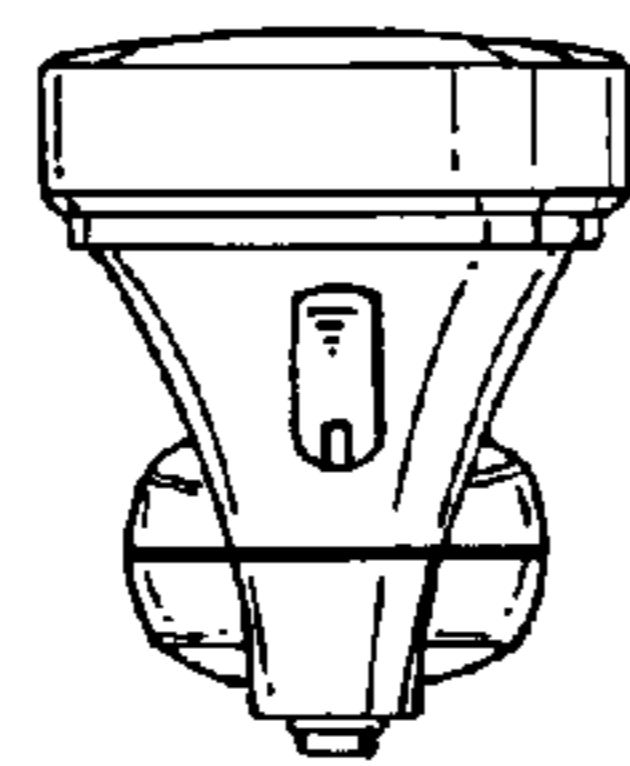


FIG 6

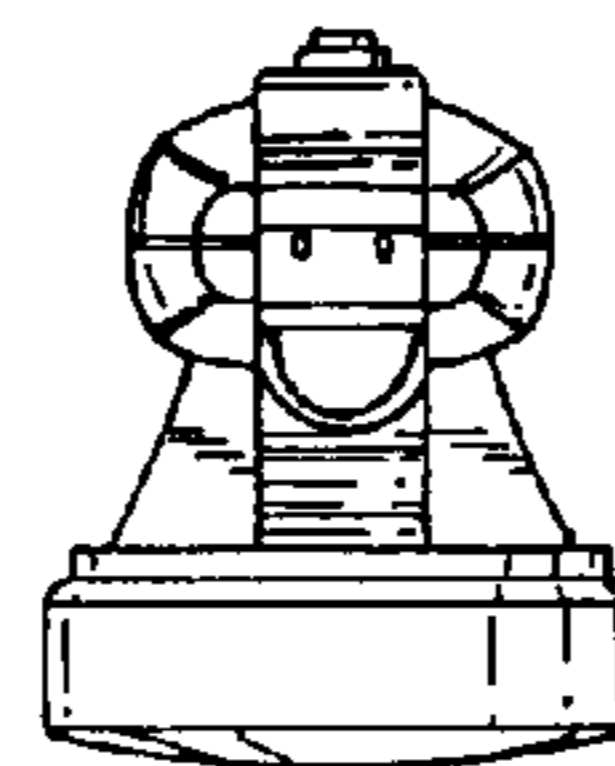


FIG 7