



US00D538780S

(12) **United States Design Patent**  
**Hamahara et al.**

(10) **Patent No.:** **US D538,780 S**

(45) **Date of Patent:** **\*\* Mar. 20, 2007**

(54) **COMBINED TAPE AND DISK PLAYER**

(75) Inventors: **Tadaaki Hamahara**, Yokohama (JP);  
**Hideyuki Kimura**, Yokohama (JP);  
**Junichi Ohshima**, Zushi (JP)

(73) Assignee: **Victor Company of Japan, Limited**,  
Yokohama (JP)

(\*\*) Term: **14 Years**

(21) Appl. No.: **29/213,196**

(22) Filed: **Sep. 15, 2004**

(30) **Foreign Application Priority Data**

May 17, 2004 (JP) ..... D2004-014441

(51) **LOC (8) Cl.** ..... **14-01**

(52) **U.S. Cl.** ..... **D14/168**

(58) **Field of Classification Search** ..... D14/135-136,  
D14/156-157, 160-165, 167-168, 192-198,  
D14/188, 217, 257, 258, 445; 360/99.02,  
360/99.07; 369/75.11, 75.21, 77.21, 77.11;  
720/612, 619, 647, 655; 455/344, 347-351  
See application file for complete search history.

(56) **References Cited**

**U.S. PATENT DOCUMENTS**

D357,246 S \* 4/1995 Tanaka ..... D14/135  
5,848,042 A \* 12/1998 Takahashi et al. .... 720/647

5,852,594 A \* 12/1998 Kaise et al. .... 720/647  
D459,321 S \* 6/2002 Kojima et al. .... D14/136  
D462,941 S \* 9/2002 Woo ..... D14/136  
D466,876 S \* 12/2002 Usami et al. .... D14/136  
D483,728 S \* 12/2003 Kim ..... D14/136

\* cited by examiner

*Primary Examiner*—Nanda Bondade

(74) *Attorney, Agent, or Firm*—The Nath Law Group;  
Gregory B. Kang; Derek Richmond

(57) **CLAIM**

An ornamental design for a combined tape and disk player,  
as shown and described.

**DESCRIPTION**

FIG. 1 is the perspective view of a combined tape and disk  
player;  
FIG. 2 is a front view thereof;  
FIG. 3 is a top view thereof;  
FIG. 4 is a bottom view thereof;  
FIG. 5 is a right side view thereof;  
FIG. 6 is a left side view thereof; and,  
FIG. 7 is a perspective view thereof with its front panel  
opened.

The broken line showing on the drawing disclosure is for the  
illustrative purpose only and forms no part of the claimed  
design.

**1 Claim, 5 Drawing Sheets**

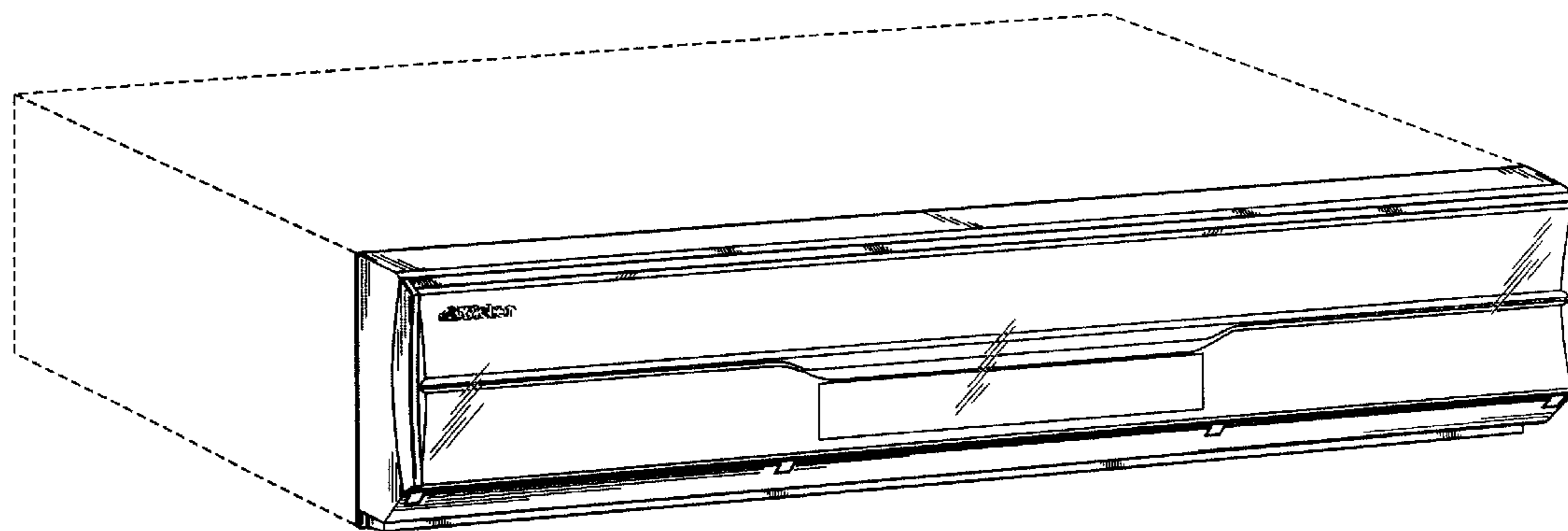


FIG.1

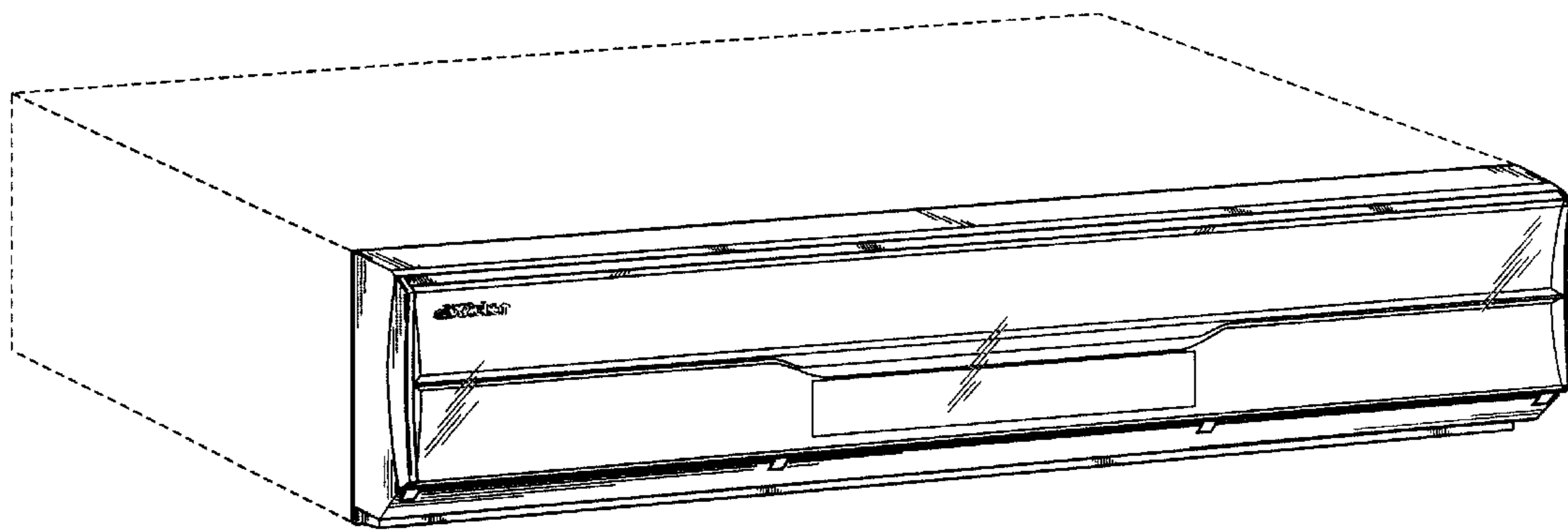


FIG.2

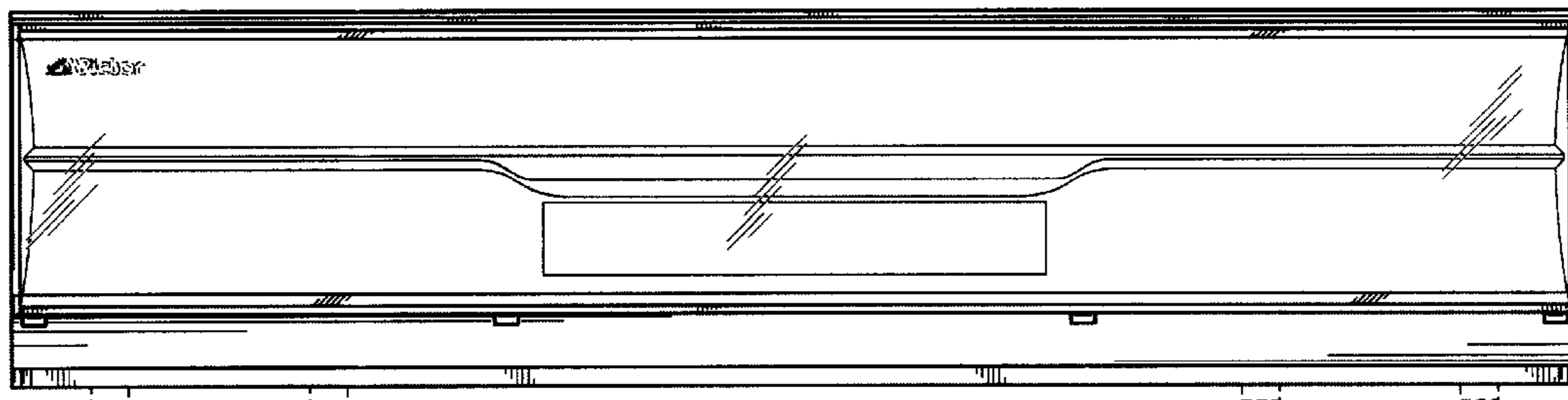


FIG.3

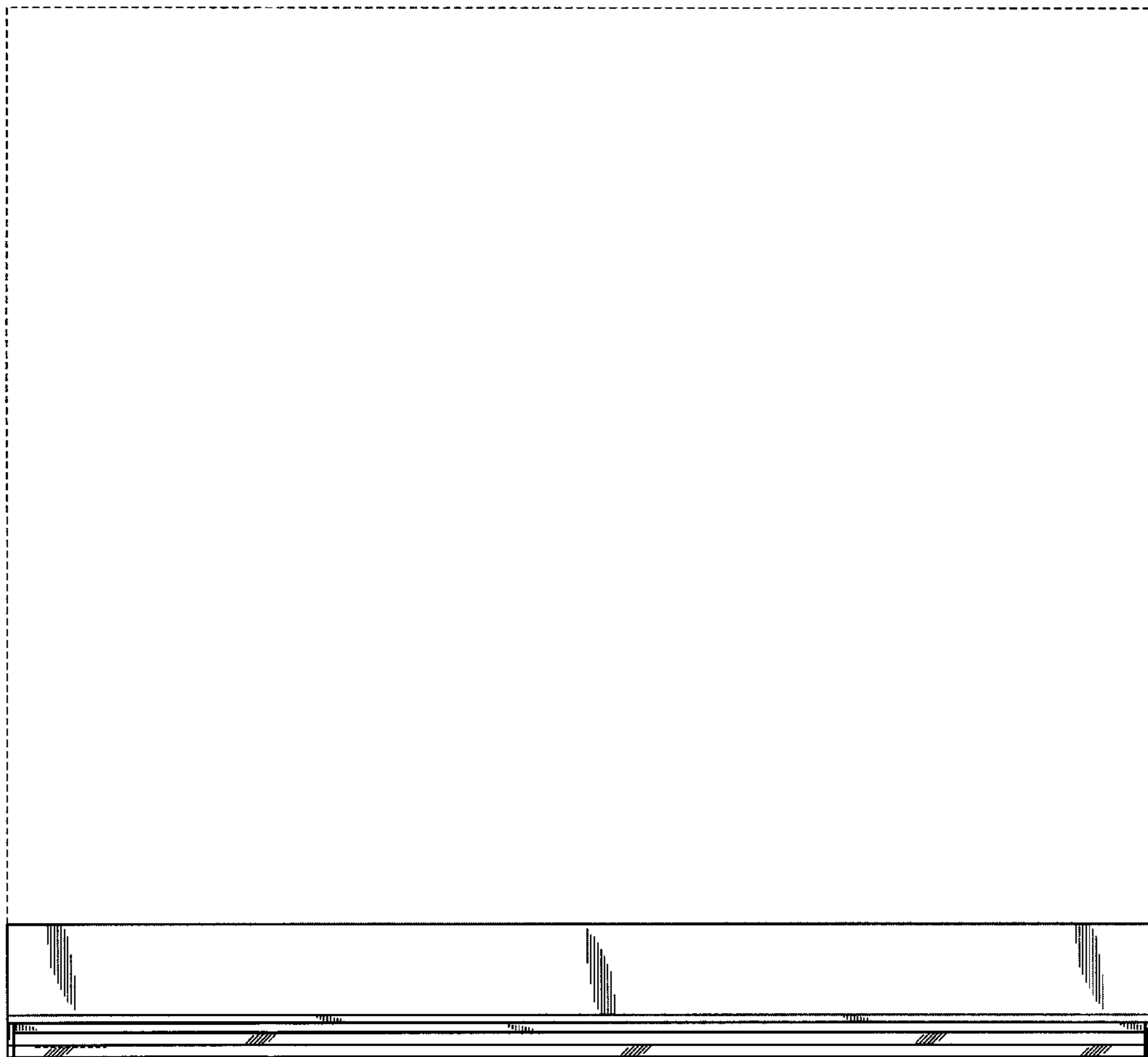


FIG.4

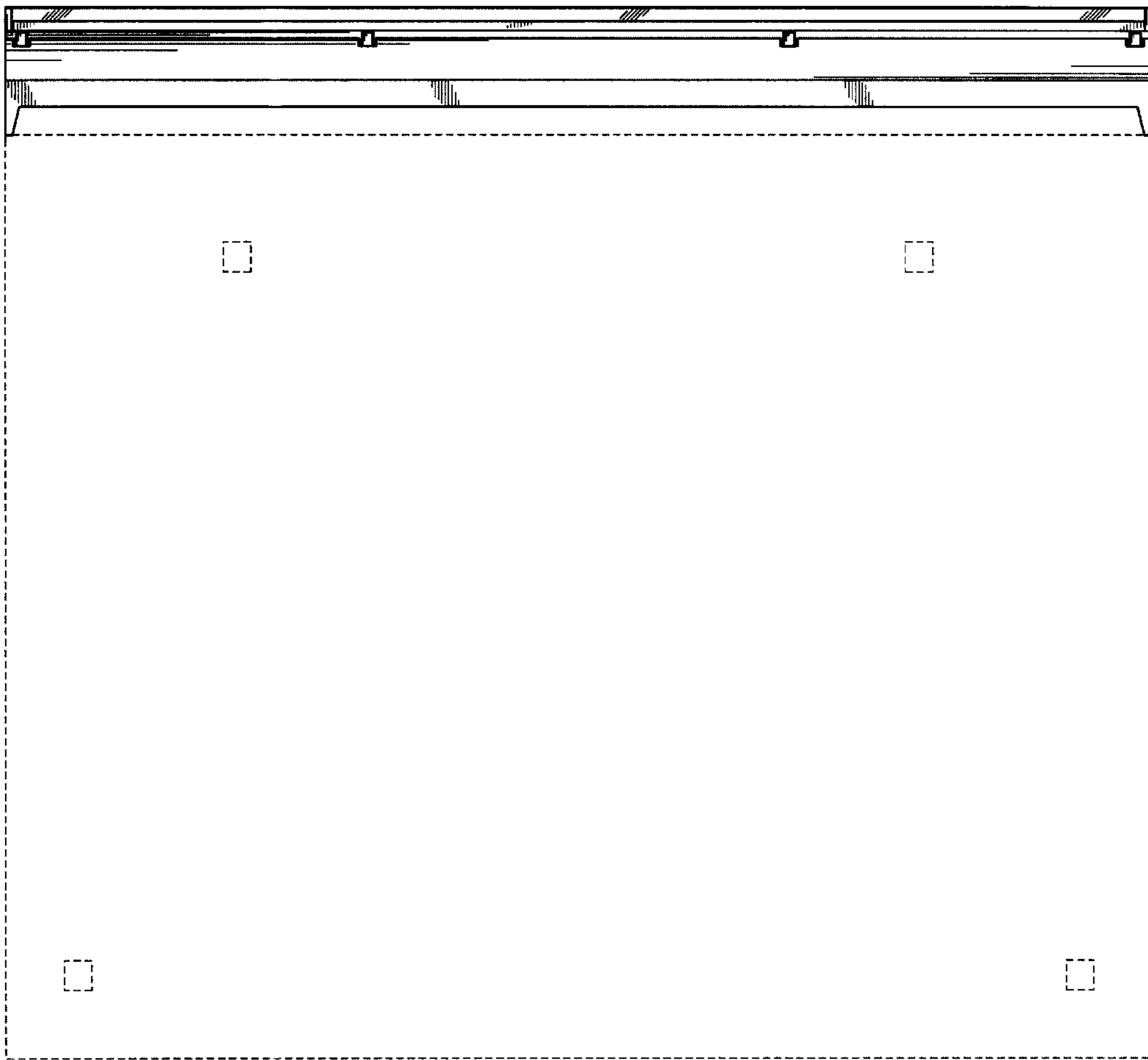


FIG.5



FIG.6



FIG.7

