



US00D538775S

(12) **United States Design Patent**
Dayan

(10) **Patent No.:** **US D538,775 S**

(45) **Date of Patent:** **** Mar. 20, 2007**

(54) **MODULATOR**

(75) Inventor: **Mervin A. Dayan**, Oakhurst, NJ (US)

(73) Assignee: **Intellectual Solutions, Inc.**

(**) Term: **14 Years**

(21) Appl. No.: **29/258,310**

(22) Filed: **Apr. 20, 2006**

Related U.S. Application Data

(63) Continuation of application No. 29/233,604, filed on Jul. 7, 2005, now Pat. No. Des. 523,413.

(51) **LOC (8) Cl.** **14-03**

(52) **U.S. Cl.** **D14/155**

(58) **Field of Classification Search** D21/566;
D14/299, 240, 188, 162, 155, 137; D13/168,
D13/144, 110, 107; D10/106; 439/668, 490,
439/348, 32; 361/730

See application file for complete search history.

(56) **References Cited**

U.S. PATENT DOCUMENTS

D222,967 S	2/1972	Hawkins et al.	
D243,537 S	3/1977	Wahl	
D303,954 S	10/1989	Michels et al.	
D314,178 S	1/1991	Reber	
D330,887 S	11/1992	Wharton	
D341,123 S	11/1993	Hakanen et al.	
D345,960 S	4/1994	Boyd et al.	
D348,250 S	6/1994	Shababy	
D392,617 S	3/1998	Yokozawa	
D398,287 S	9/1998	Luminosu	
D401,222 S	11/1998	LeBlanc	
D409,568 S	5/1999	Lindahl	
D442,932 S	5/2001	Koike	
D461,176 S	8/2002	Siokola	
D492,249 S	6/2004	Suomalainen et al.	
D494,542 S	8/2004	Hriscu et al.	
D503,675 S	* 4/2005	Lodato et al.	D13/107
D504,407 S	4/2005	Cohen et al.	
D504,408 S	* 4/2005	Bey et al.	D14/155

D505,935 S	6/2005	Bey et al.	
D506,455 S	6/2005	Bey et al.	
D519,994 S	* 5/2006	Kettula et al.	D14/248
D521,487 S	* 5/2006	Dayan	D14/155
D523,413 S	* 6/2006	Dayan	D14/155
D524,285 S	* 7/2006	Dayan	D14/155
D525,937 S	* 8/2006	Seil et al.	D13/144
D525,938 S	* 8/2006	Seil et al.	D13/144

* cited by examiner

Primary Examiner—Cathron C. Brooks

Assistant Examiner—Austin Murphy

(74) *Attorney, Agent, or Firm*—Wolf, Block, Schorr & Solis-Cohen LLP

(57) **CLAIM**

The ornamental design for a modulator, as shown and described.

DESCRIPTION

FIG. 1 is a perspective view of a modulator showing my design.

FIG. 2 is a right-side view of the modulator of FIG. 1.

FIG. 3 is a left-side view of the modulator of FIG. 1.

FIG. 4 is a front view of the modulator of FIG. 1.

FIG. 5 is a rear view of the modulator of FIG. 1.

FIG. 6 is a top view of the modulator of FIG. 1.

FIG. 7 is a bottom view of the modulator of FIG. 1.

FIG. 8 is an articulated view of the right-side of the modulator of FIG. 1.

FIG. 9 is another articulated view of the right-side of the modulator of FIG. 1.

FIG. 10 is another articulated view of the right-side of the modulator of FIG. 1.

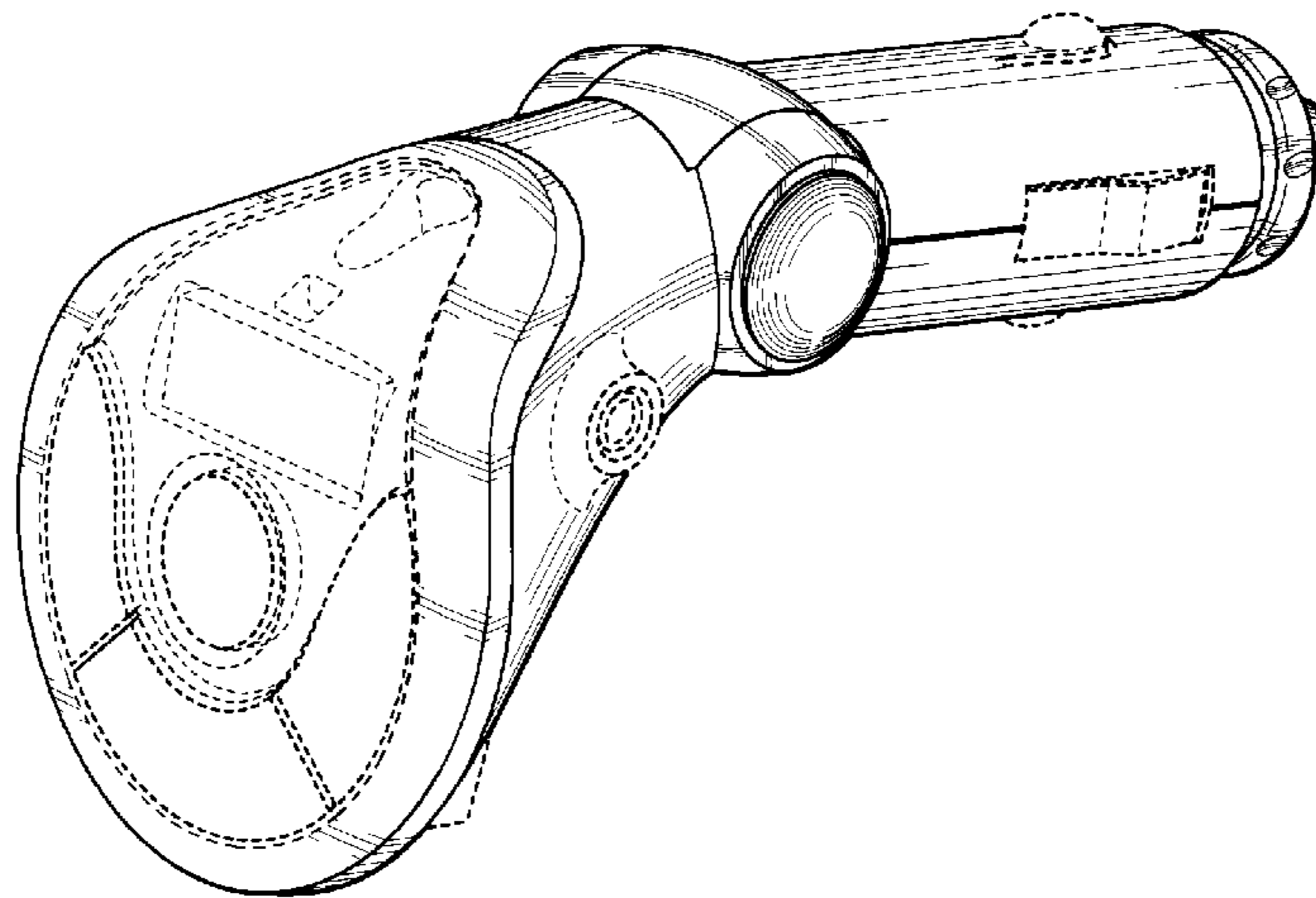
FIG. 11 is another articulated view of the right-side of the modulator of FIG. 1.

FIG. 12 is another articulated view of the right-side of the modulator of FIG. 1; and,

FIG. 13 is another articulated view of the right-side of the modulator of FIG. 1.

The broken lines shown in the drawings form no part of the claimed design.

1 Claim, 7 Drawing Sheets



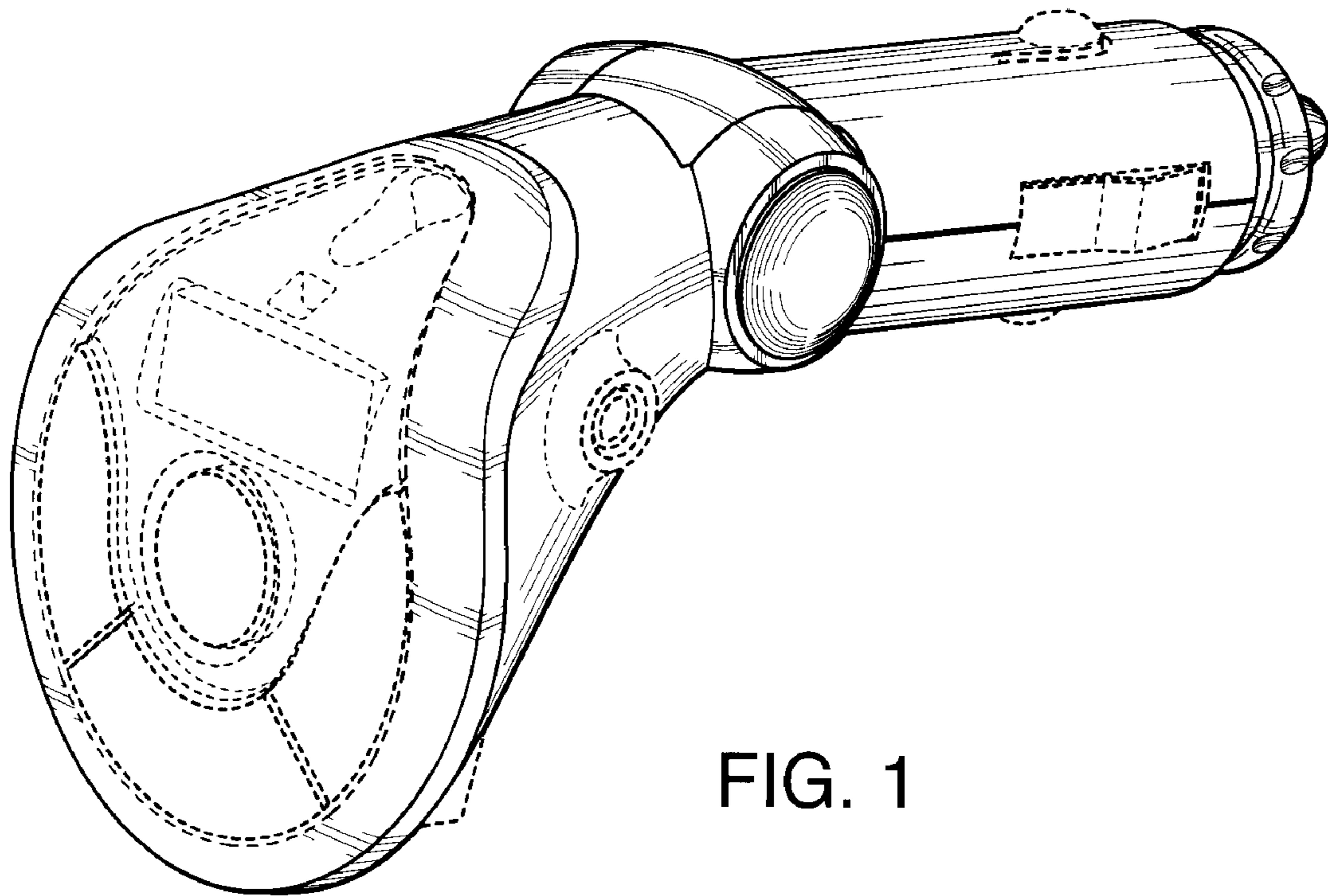


FIG. 1

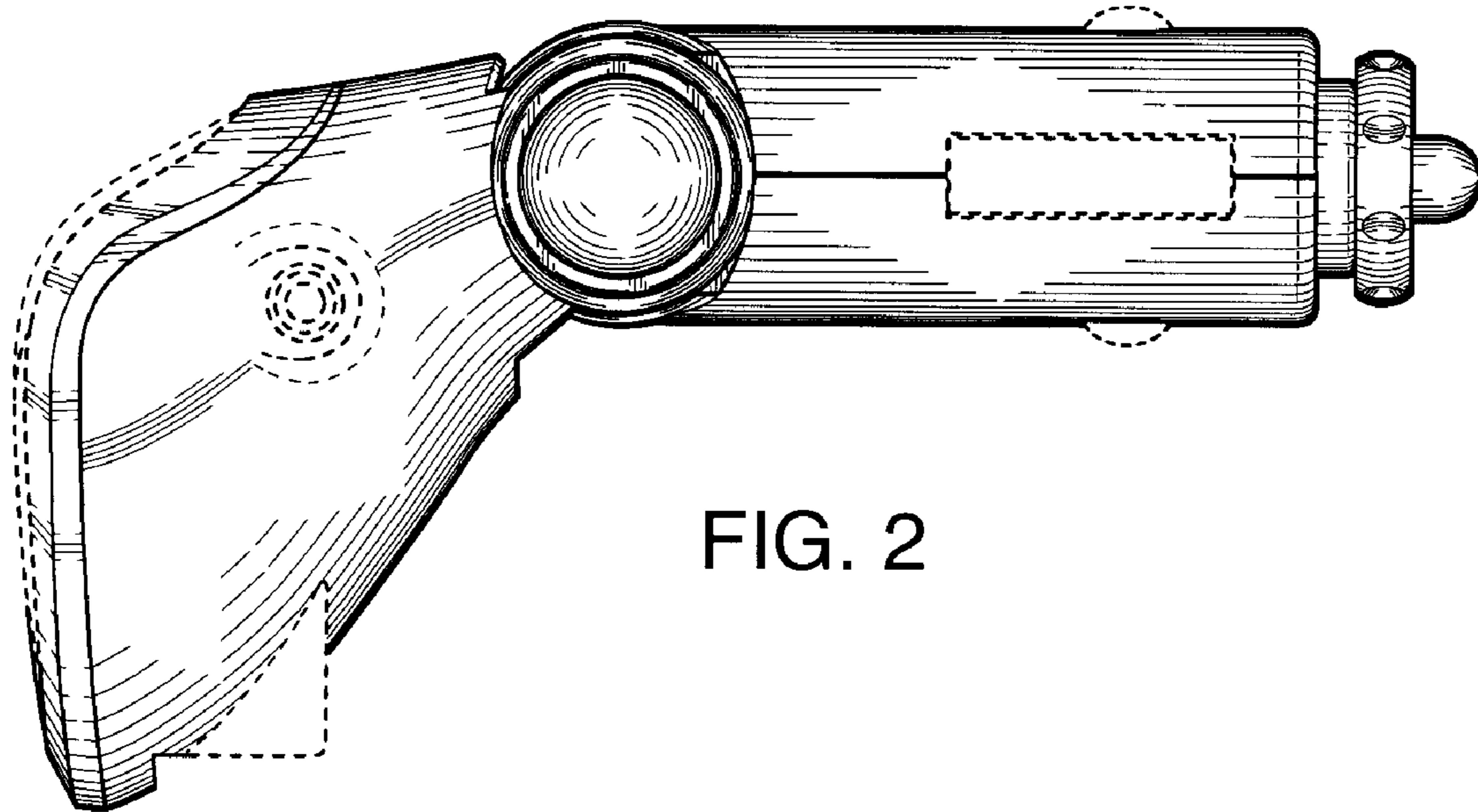


FIG. 2

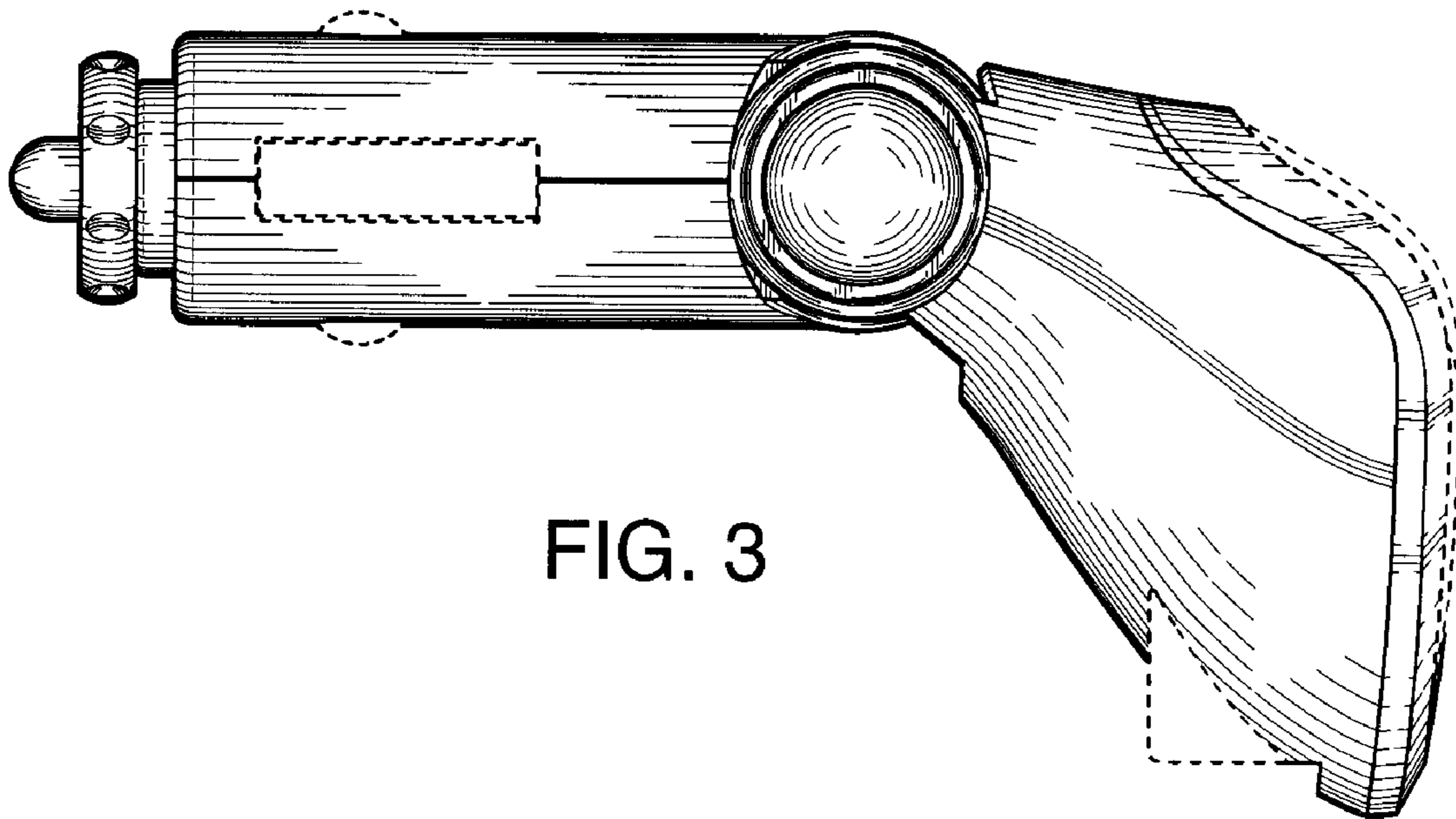


FIG. 3

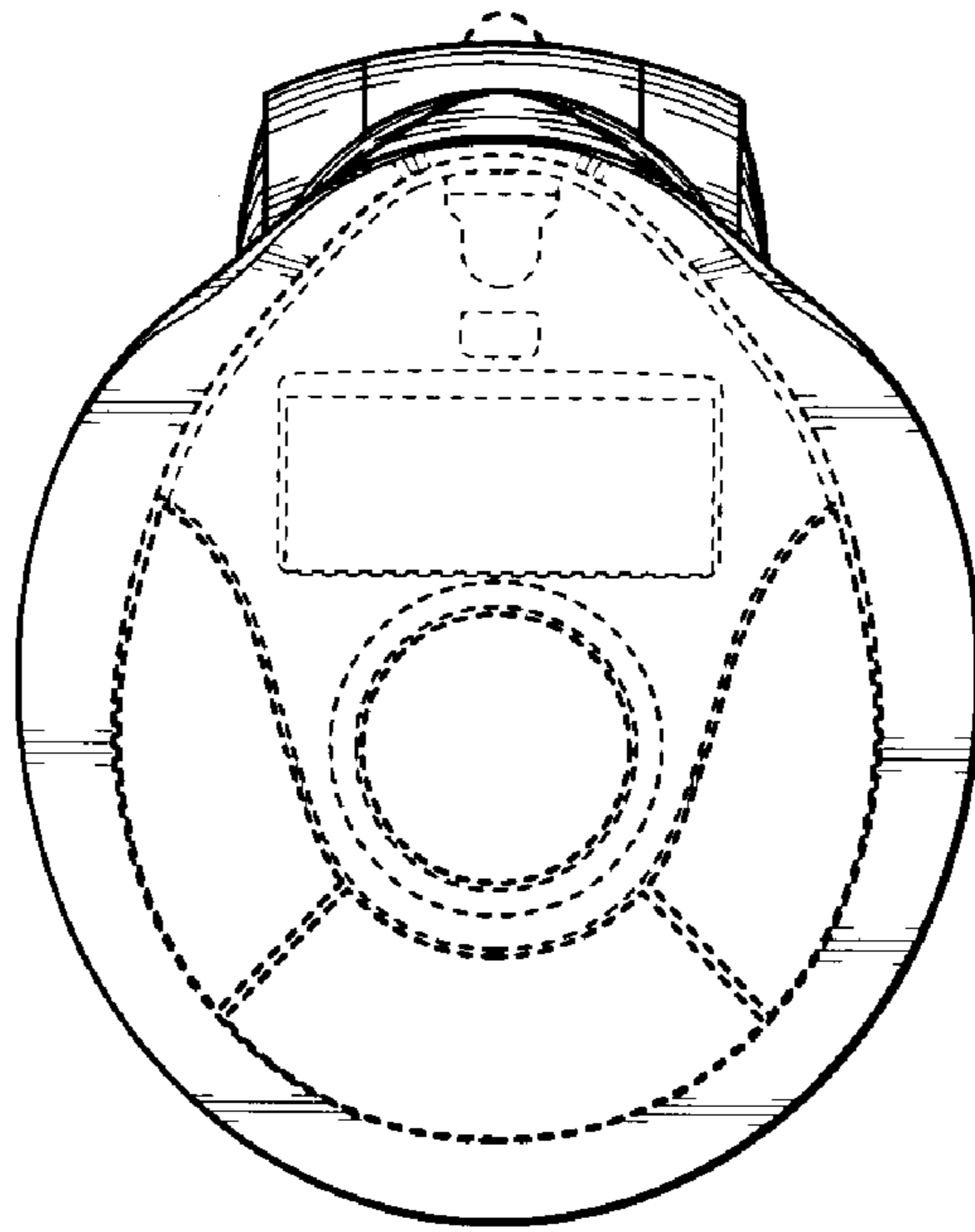


FIG. 4

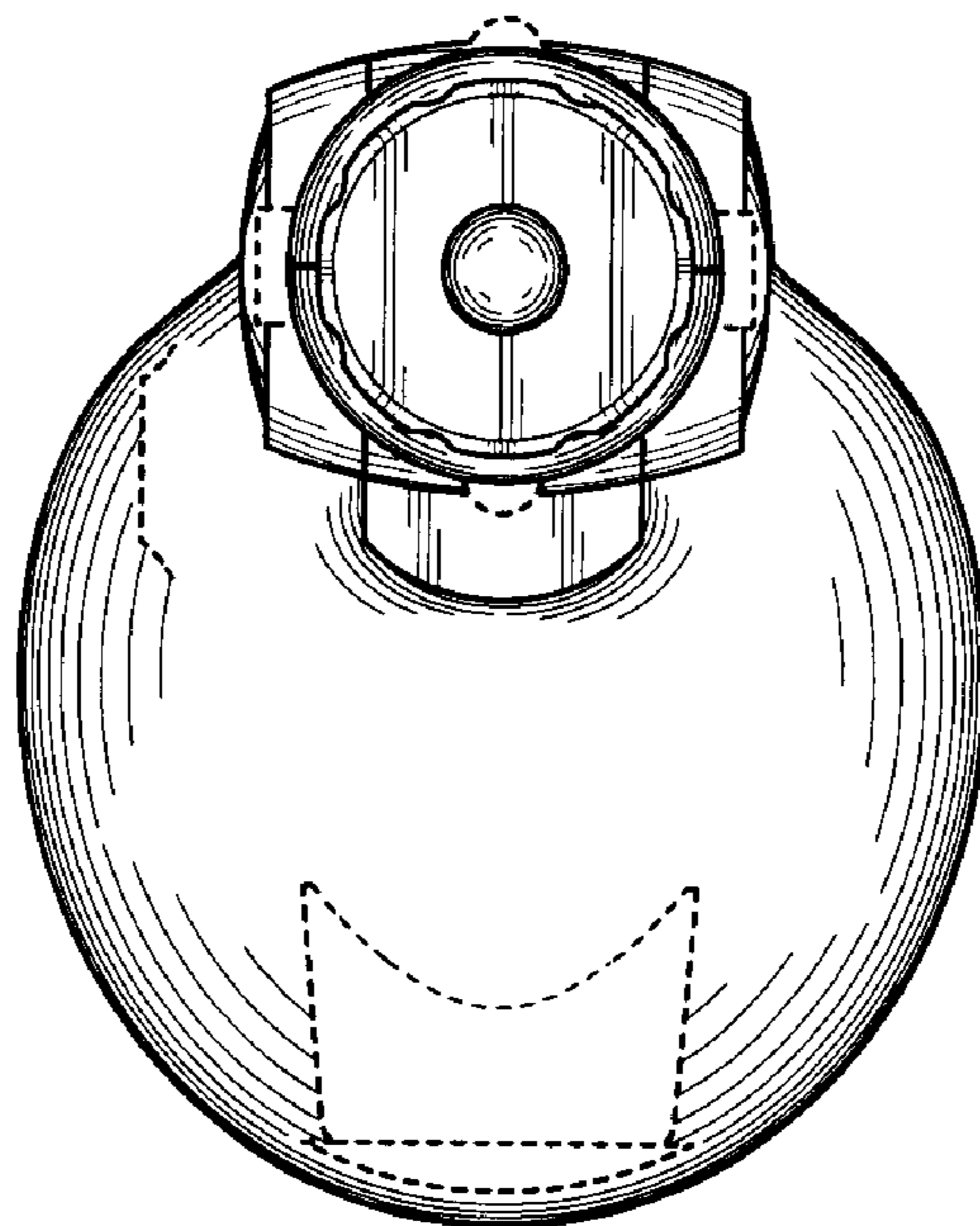


FIG. 5

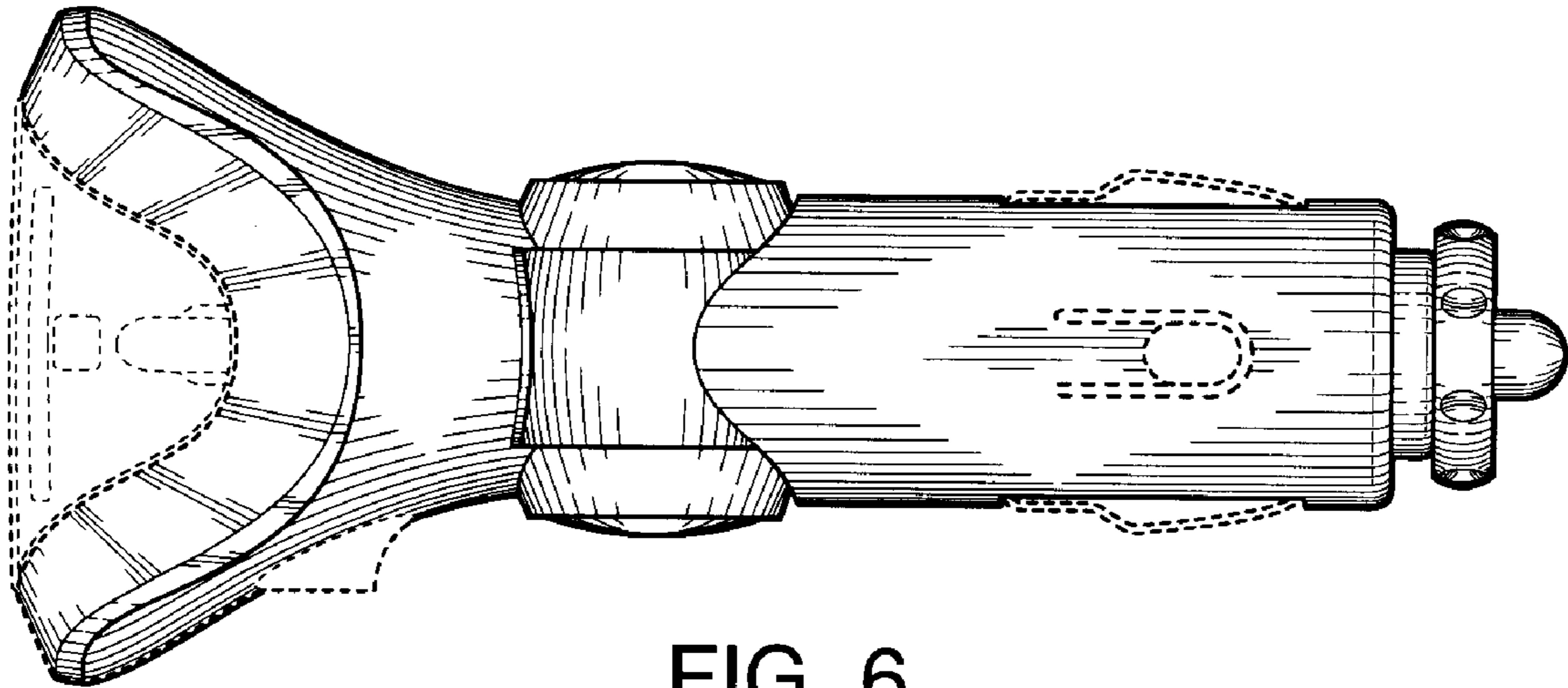


FIG. 6

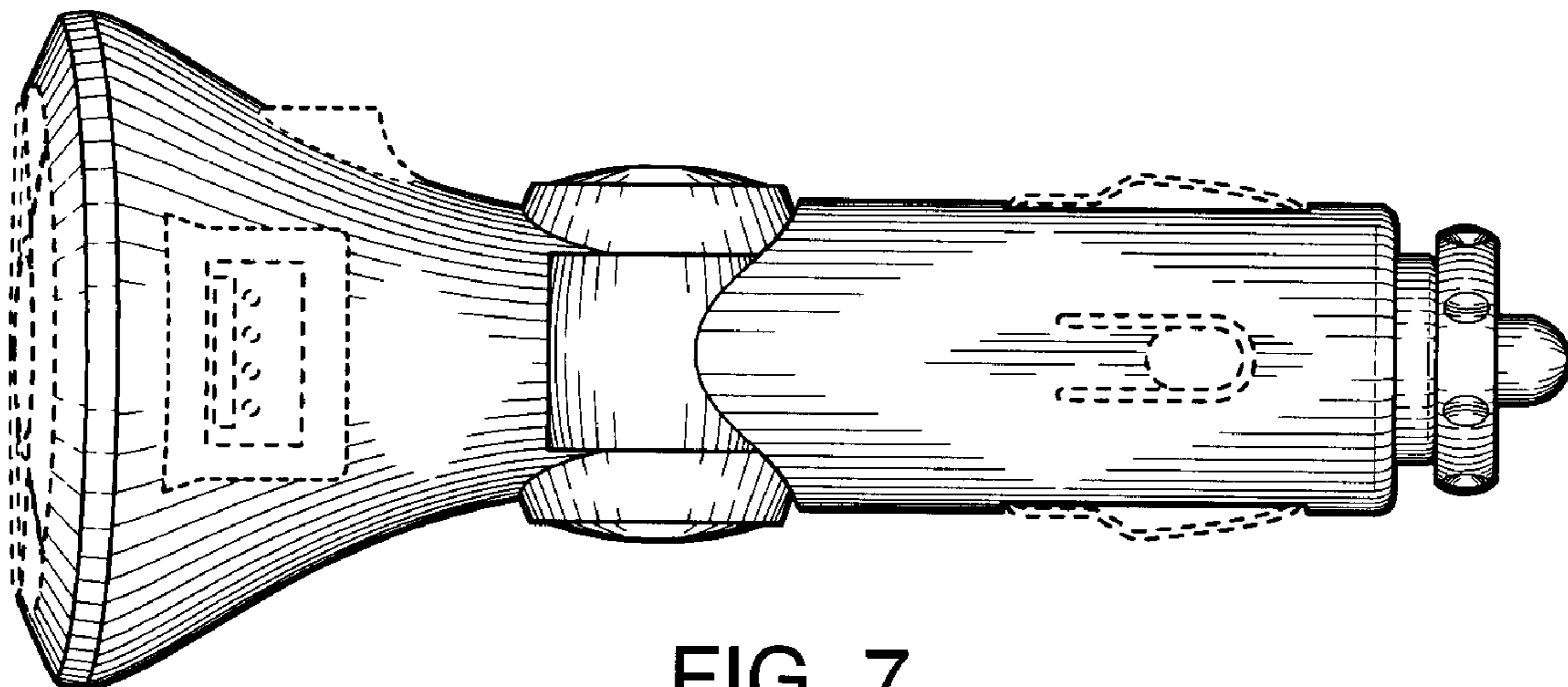


FIG. 7

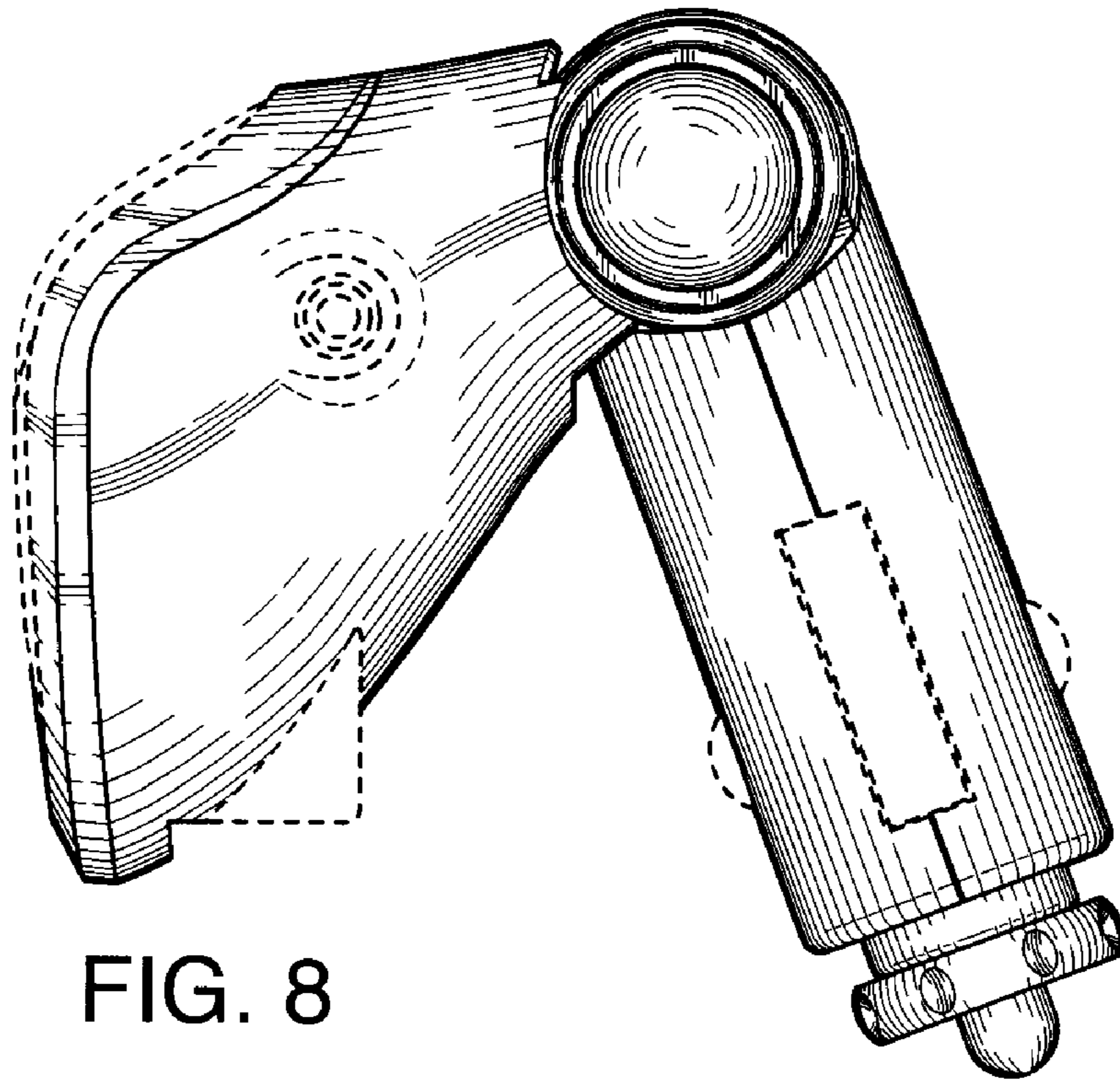


FIG. 8

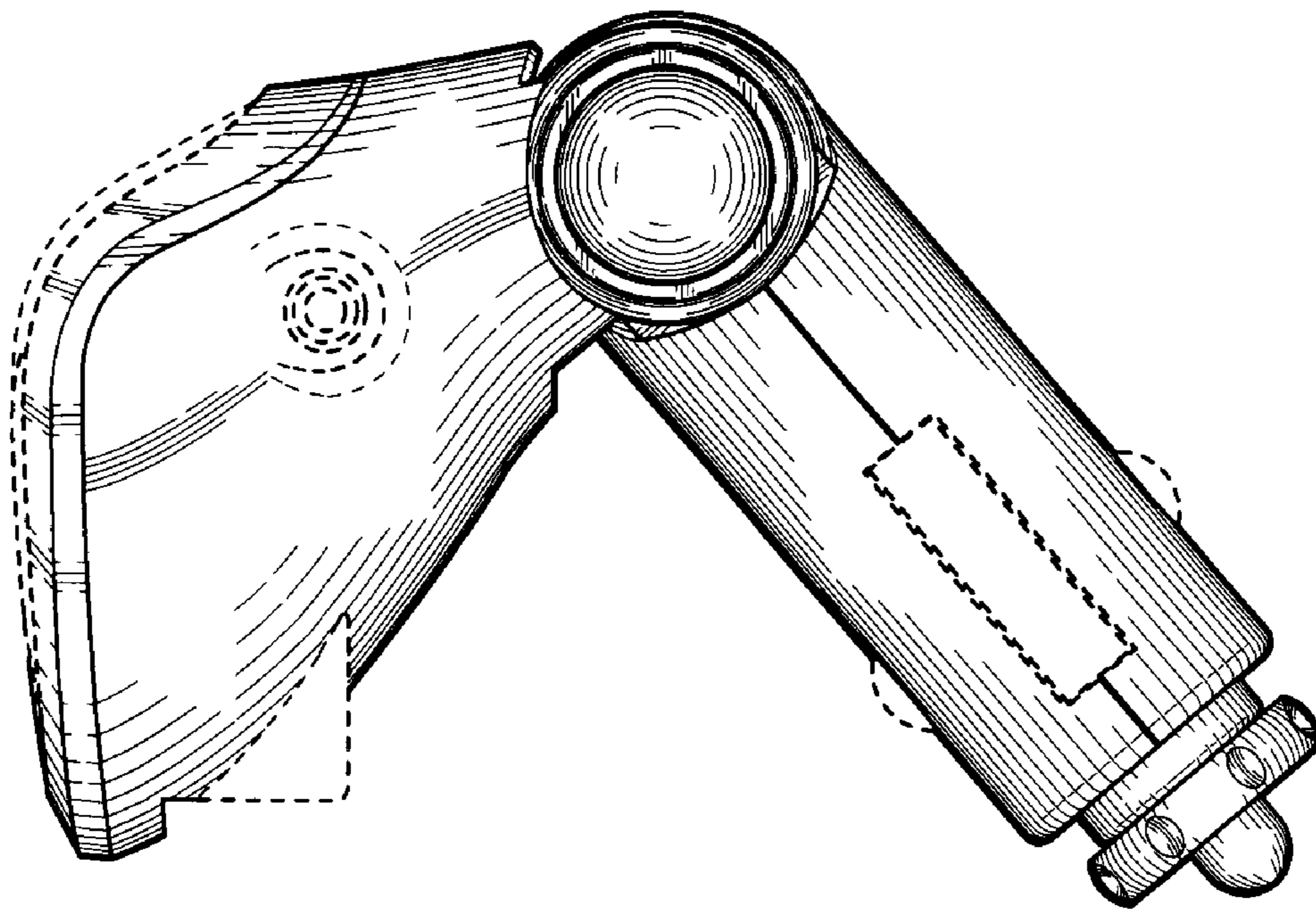


FIG. 9

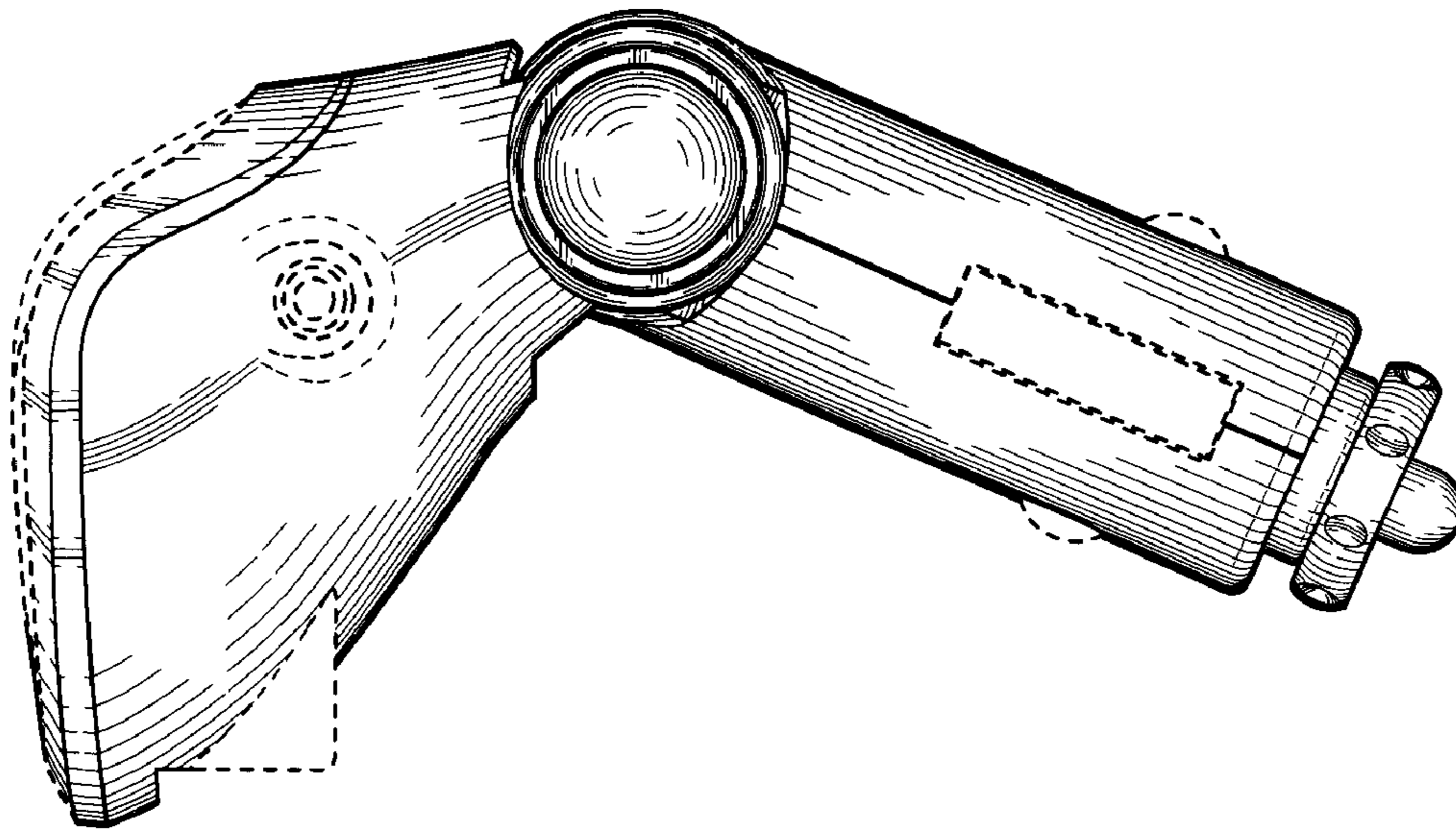


FIG. 10

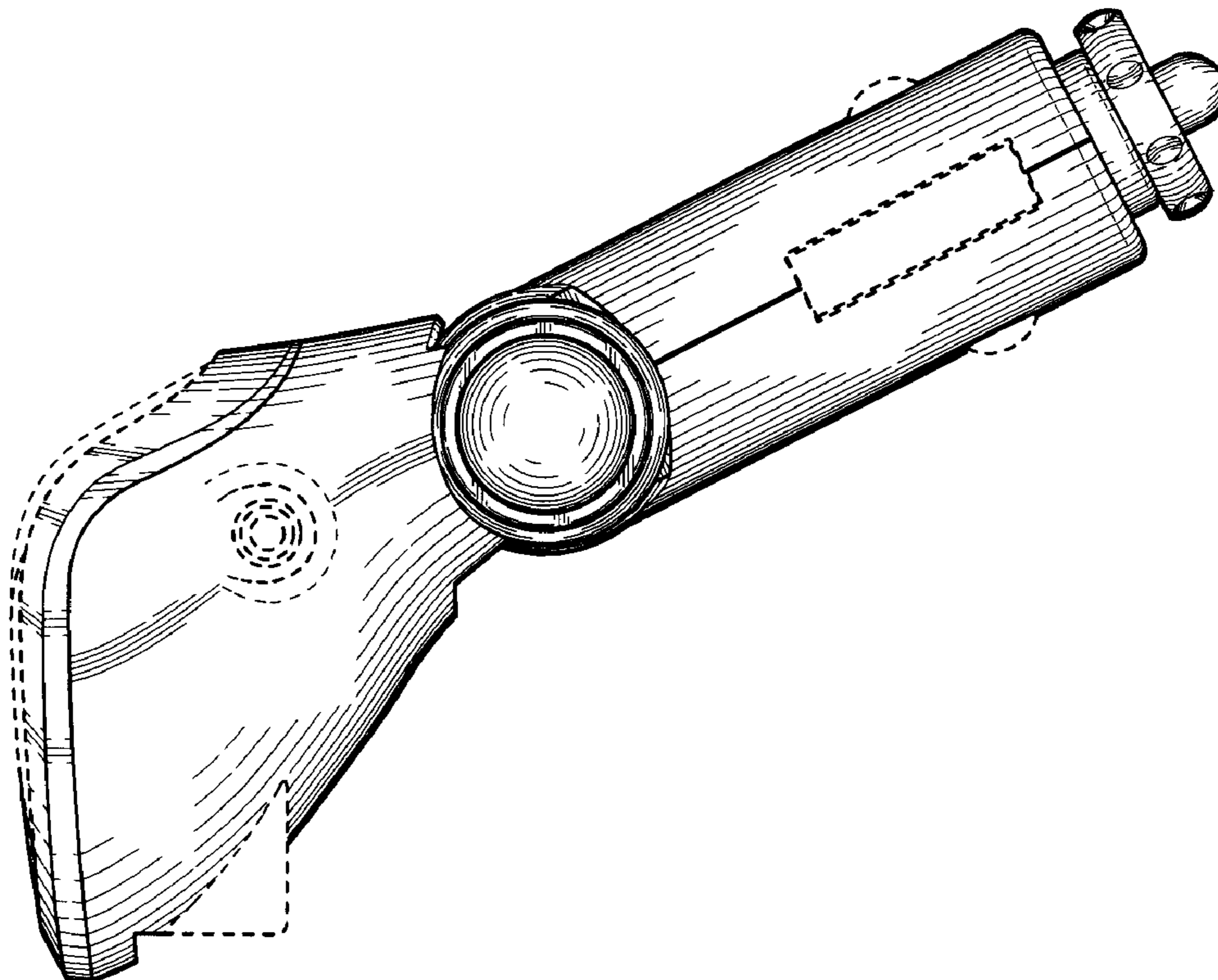


FIG. 11

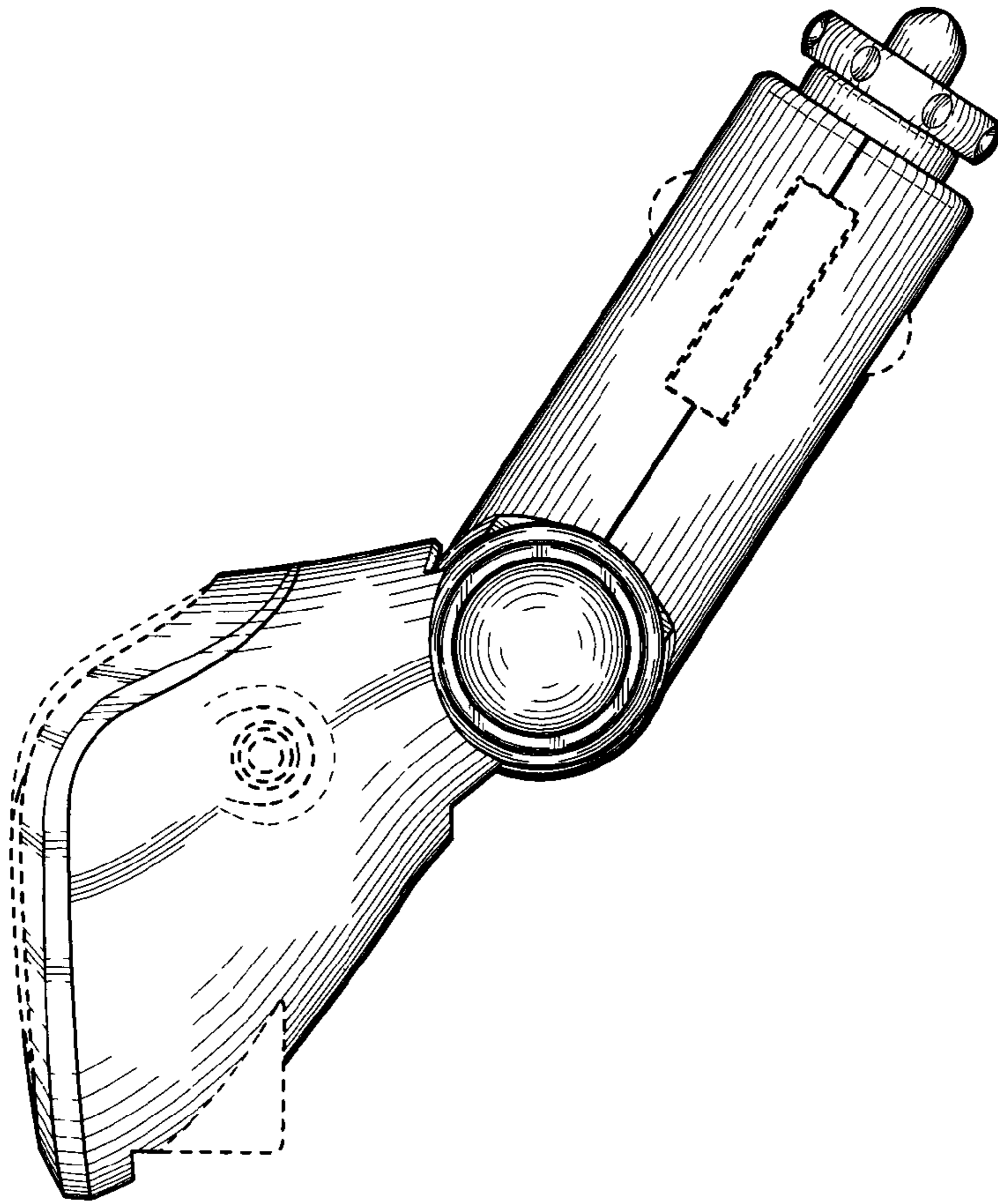


FIG. 12

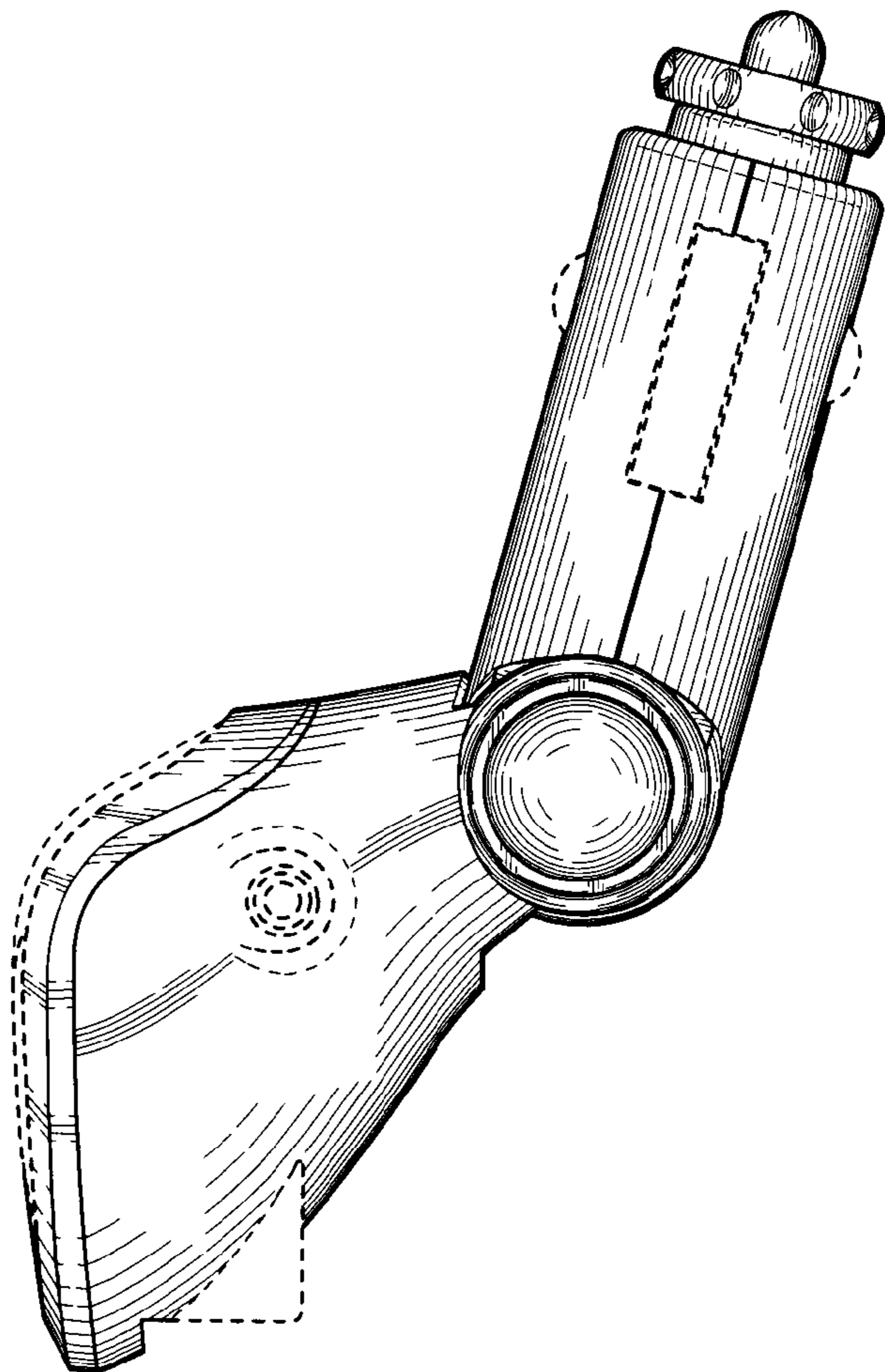


FIG. 13