



US00D538772S

(12) **United States Design Patent**
Cha et al.

(10) **Patent No.:** **US D538,772 S**
(45) **Date of Patent:** **** Mar. 20, 2007**

(54) **CELLULAR PHONE**

(75) Inventors: **Yong Duck Cha**, Kyunggi-do (KR);
Hong Kyu Park, Seoul (KR)

(73) Assignee: **LG Electronics Inc.**, Seoul (KR)

(**) Term: **14 Years**

(21) Appl. No.: **29/230,735**

(22) Filed: **May 26, 2005**

(30) **Foreign Application Priority Data**

Dec. 3, 2004 (KR) 30-2004-0037070

(51) **LOC (8) Cl.** **14-03**

(52) **U.S. Cl.** **D14/138**

(58) **Field of Classification Search** D14/191,
D14/138, 147-148, 247-248, 144, 496, 156,
D14/341-347; 379/433.01-433.13; 455/575.3,
455/566, 575.1, 556.1, 556.2, 90.3; D21/517;
D16/208

See application file for complete search history.

(56) **References Cited**

U.S. PATENT DOCUMENTS

- 6,549,789 B1 * 4/2003 Kfoury 455/550.1
- 6,658,272 B1 * 12/2003 Lenchik et al. 455/575.1
- D487,443 S * 3/2004 Yoon D14/138
- D492,275 S * 6/2004 Lin et al. D14/138
- D496,643 S * 9/2004 Yoo et al. D14/138
- D496,645 S * 9/2004 Yoo et al. D14/138
- D498,468 S * 11/2004 Seo D14/138
- D498,736 S * 11/2004 Lee D14/138
- D500,480 S * 1/2005 Daw D14/138
- D501,838 S * 2/2005 Kim et al. D14/138
- D503,697 S * 4/2005 Kim D14/138
- D510,922 S * 10/2005 Kim et al. D14/138
- D513,505 S * 1/2006 Lee D14/138
- D518,812 S * 4/2006 Kim et al. D14/138
- D520,980 S * 5/2006 Taniyama et al. D14/138
- D521,481 S * 5/2006 Shin D14/138
- 7,055,219 B2 * 6/2006 Shiba 16/367
- 7,058,433 B2 * 6/2006 Carpenter 455/575.1

- D528,094 S * 9/2006 Hwang D14/138
- D528,097 S * 9/2006 Kim D14/138
- 2002/0051060 A1 * 5/2002 Wada 348/207
- 2003/0092401 A1 * 5/2003 Ikeuchi 455/90
- 2004/0192422 A1 * 9/2004 Watanabe et al. 455/575.3
- 2004/0209645 A1 * 10/2004 Park et al. 455/556.1
- 2005/0003871 A1 * 1/2005 Shiue et al. 455/575.3
- 2005/0113156 A1 * 5/2005 Park et al. 455/575.4
- 2005/0130718 A1 * 6/2005 Woo 455/575.3
- 2005/0261040 A1 * 11/2005 Andersson et al. 455/575.3
- 2005/0282596 A1 * 12/2005 Park et al. 455/575.3
- 2006/0135225 A1 * 6/2006 Lin et al. 455/575.3

FOREIGN PATENT DOCUMENTS

- WO DM/066166 * 12/2004
- WO DM/067361 * 9/2005
- WO DM/067801 * 4/2006

OTHER PUBLICATIONS

Nokia N93 telephone, announced Apr. 2006, [online], [retrieved on Sep. 14, 2006]. Retrieved from Internet ,<URL: <http://www.gsmarena.com>>.*

* cited by examiner

Primary Examiner—Jeffrey Asch

(74) *Attorney, Agent, or Firm*—Birch, Stewart, Kolasch & Birch, LLP

(57) **CLAIM**

We claim the ornamental design for cellular phone, as shown and described.

DESCRIPTION

FIG. 1 is a perspective view of cellular phone showing the new design:

FIG. 2 is a front elevation view thereof;

FIG. 3 is a rear elevation view thereof;

FIG. 4 is a left-side elevation view thereof;

FIG. 5 is a right-side elevation view thereof;

FIG. 6 is a top plan view thereof; and,

FIG. 7 is a bottom plan view thereof.

1 Claim, 4 Drawing Sheets

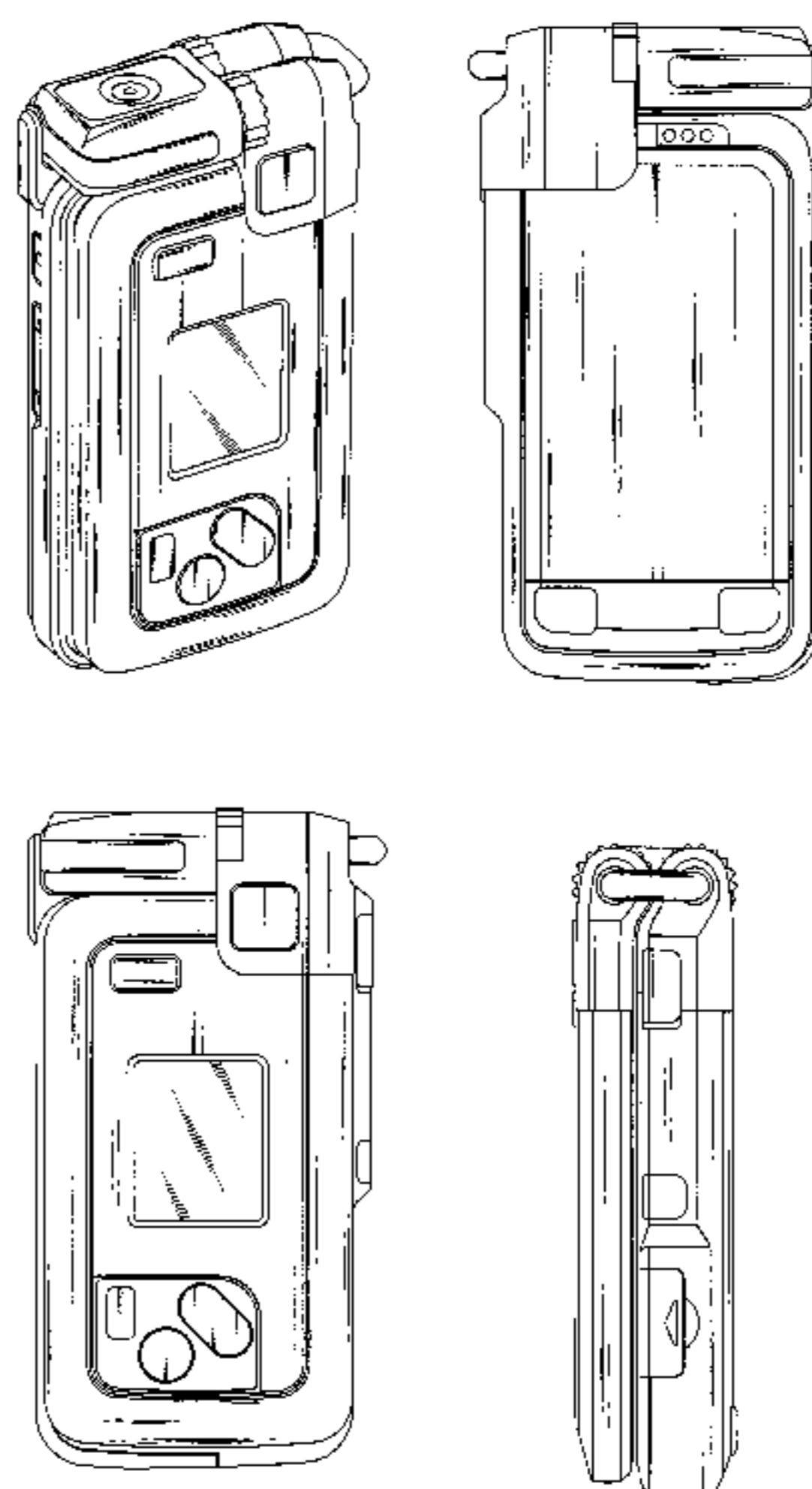


FIG. 1

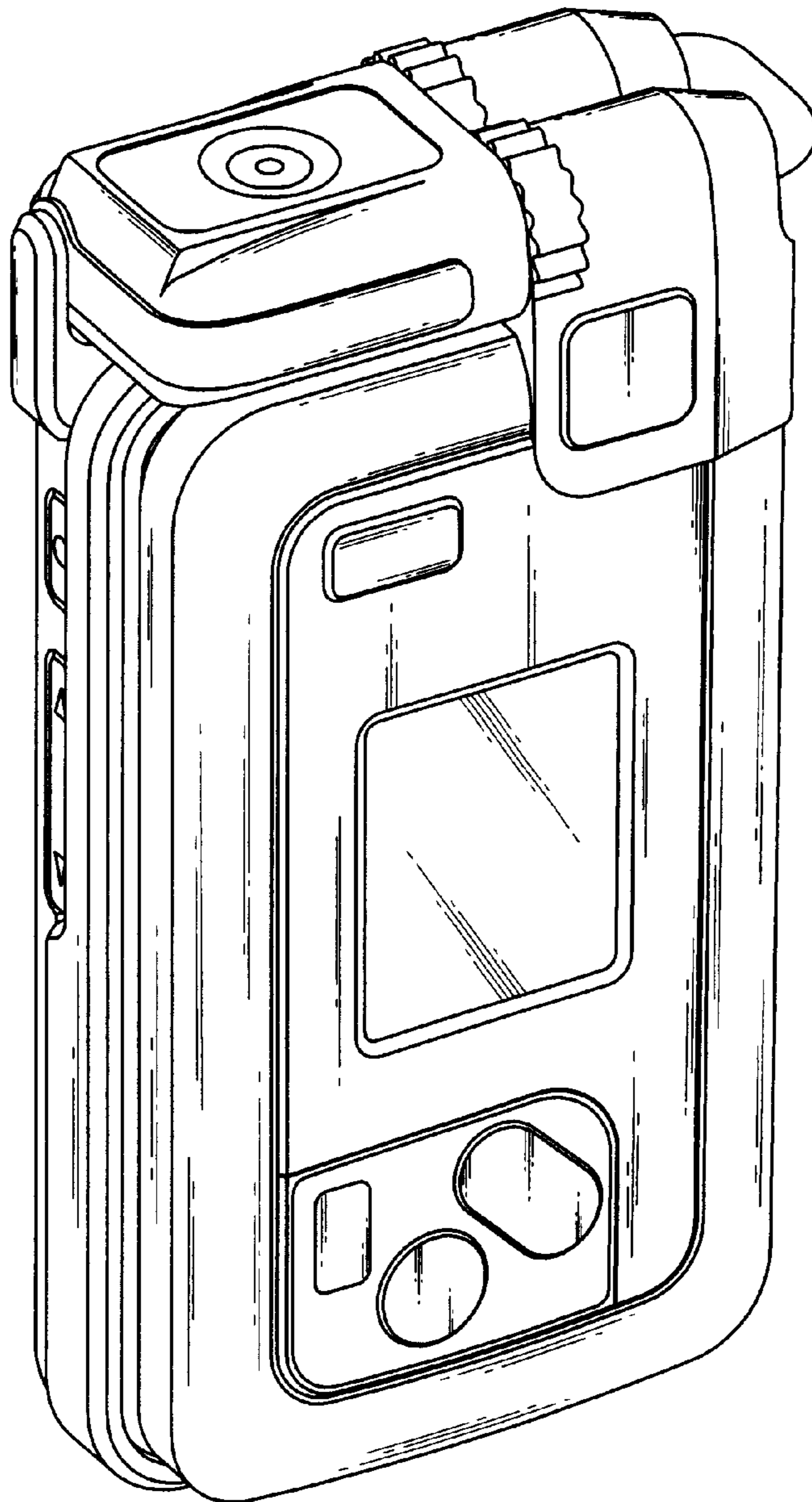


FIG. 2

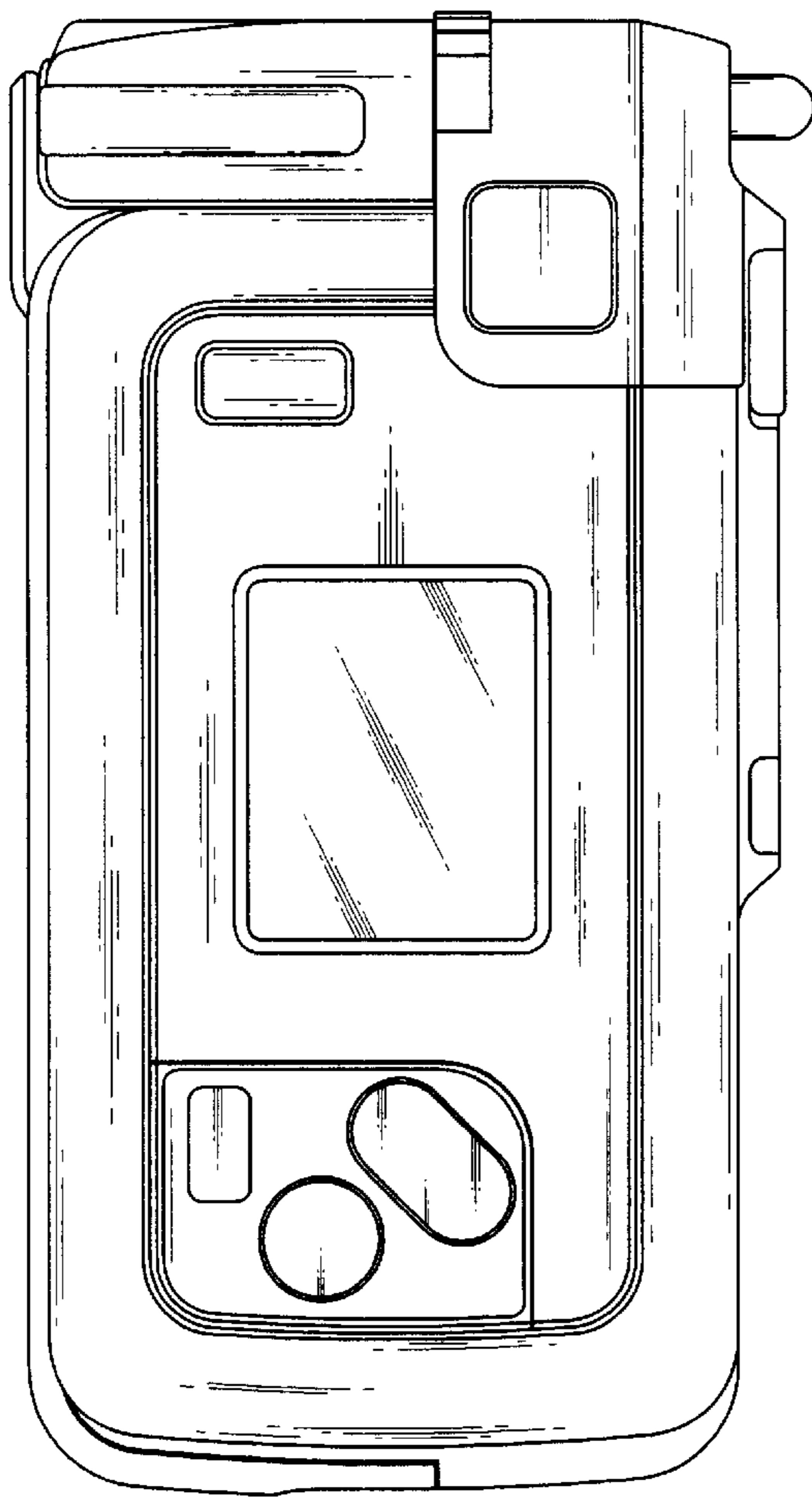


FIG. 3

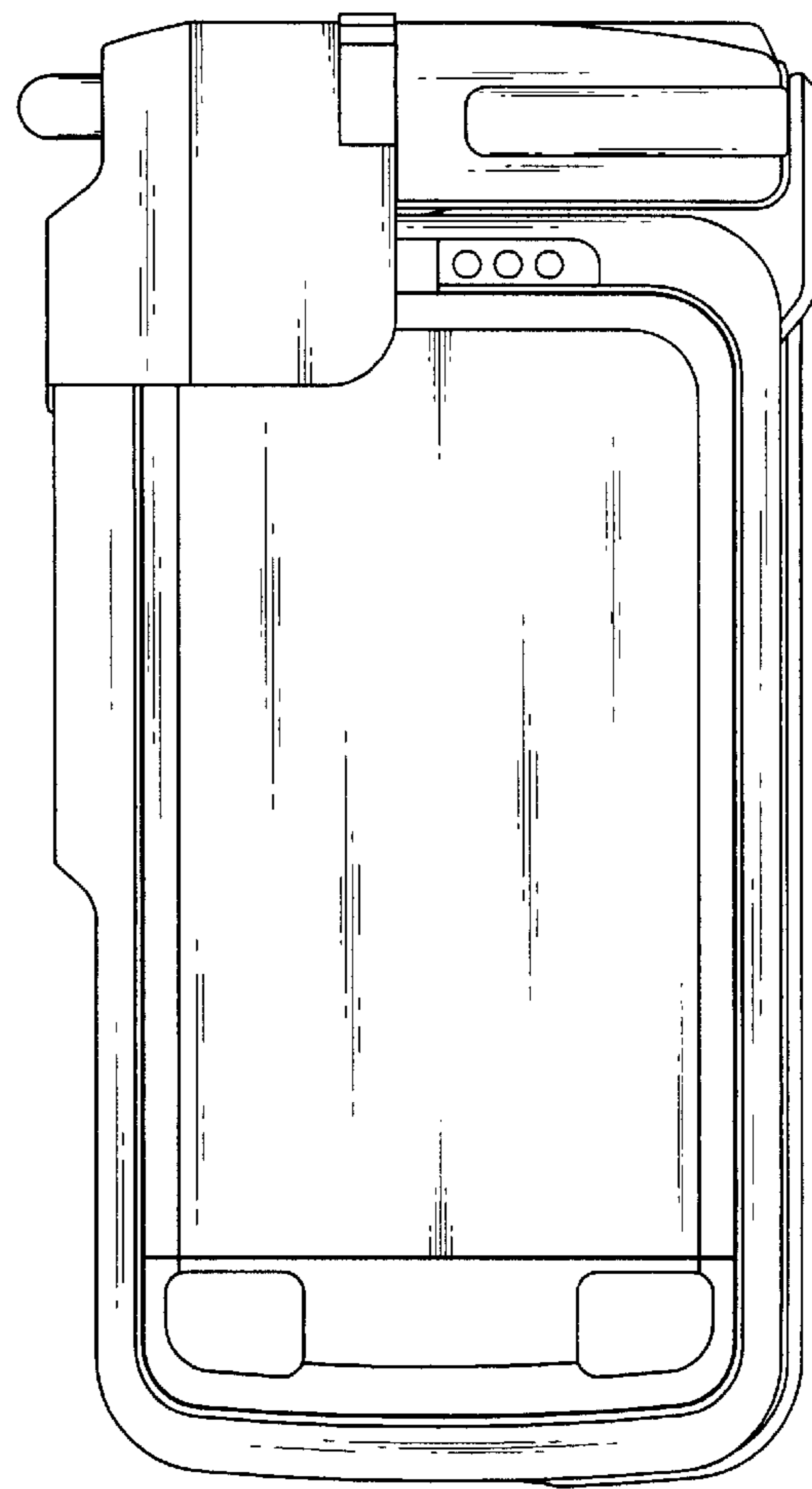


FIG. 4

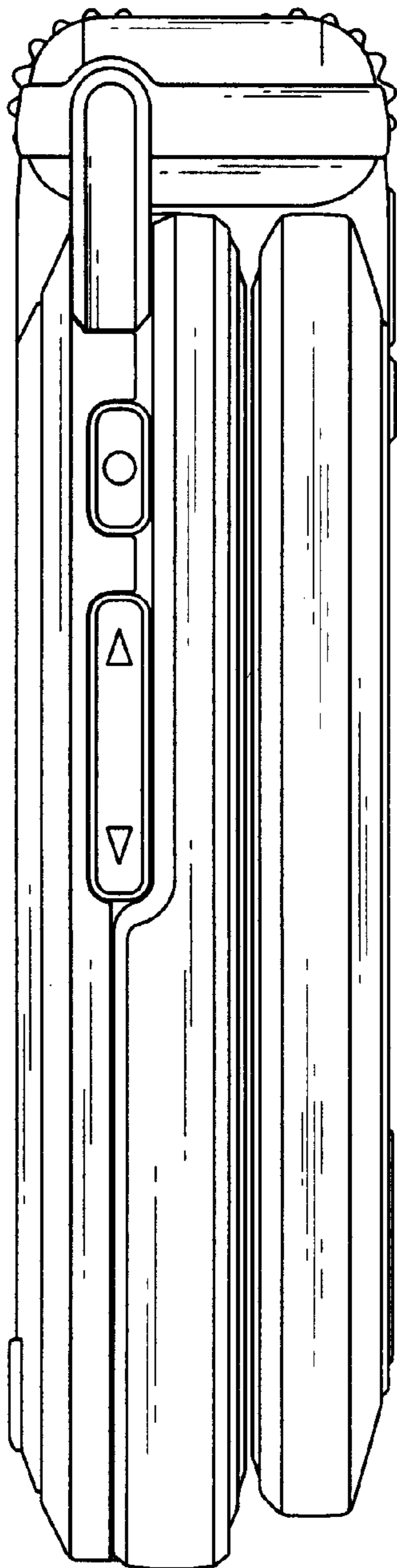


FIG. 5

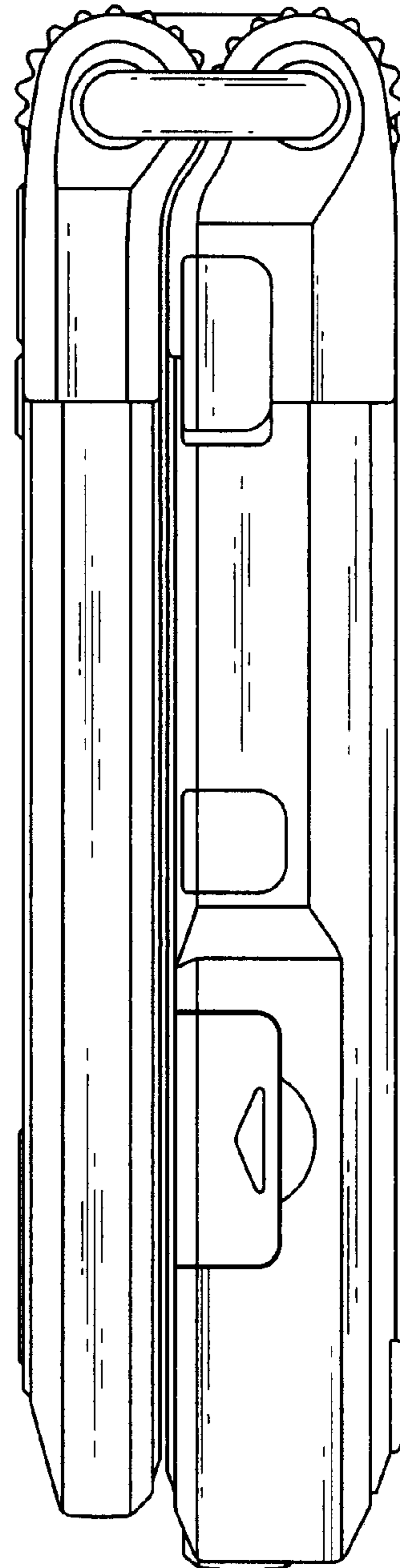


FIG. 6

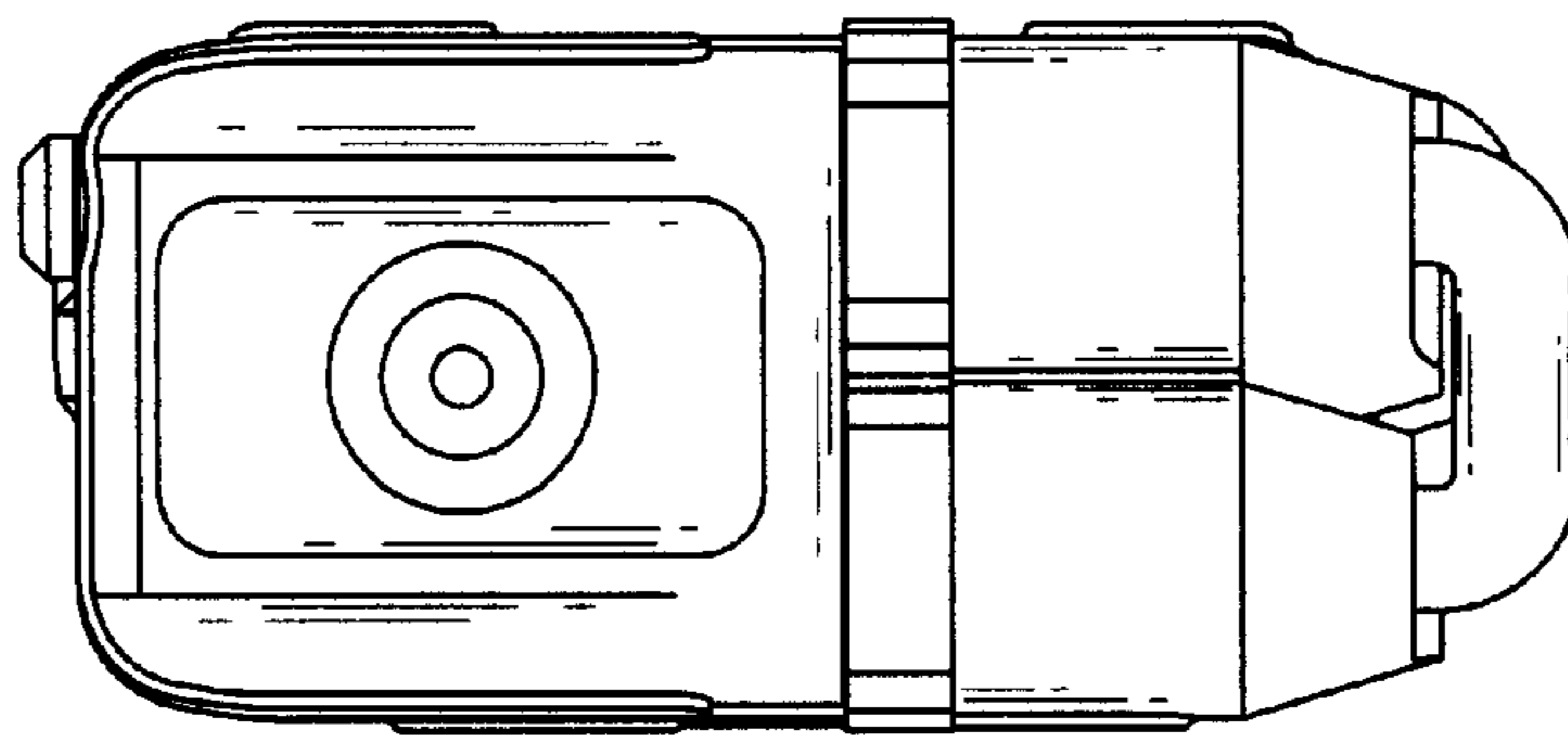


FIG. 7

