



US00D538770S

(12) **United States Design Patent**
Lyles

(10) **Patent No.:** **US D538,770 S**
(45) **Date of Patent:** **** Mar. 20, 2007**

(54) **HANDSET**

(75) Inventor: **Justin Lyles**, San Diego, CA (US)

(73) Assignee: **Nokia Corporation**, Espoo (FI)

(**) Term: **14 Years**

(21) Appl. No.: **29/216,092**

(22) Filed: **Oct. 29, 2004**

(51) **LOC (8) Cl.** **14-03**

(52) **U.S. Cl.** **D14/138**

(58) **Field of Classification Search** D14/137,
D14/138, 147-148, 247-248, 144, 218, 341-347,
D14/455, 456; 379/433.01-433.13, 434;
455/575.1, 566, 556.1; D21/517, 329, 331;
345/169

See application file for complete search history.

(56) **References Cited**

U.S. PATENT DOCUMENTS

D406,133 S	*	2/1999	Hackbarth	D14/138
D484,475 S	*	12/2003	Sheu	D14/138
D484,477 S	*	12/2003	Salmi	D14/138
D488,789 S	*	4/2004	Lee	D14/138
D492,276 S	*	6/2004	Walliser et al.	D14/138
D492,657 S	*	7/2004	Jensfelt	D14/138
D494,949 S	*	8/2004	Arnholt et al.	D14/138
D496,343 S	*	9/2004	Lin et al.	D14/138
D496,641 S	*	9/2004	Seo	D14/138
D497,892 S	*	11/2004	Peng	D14/138
D499,709 S	*	12/2004	Nuovo et al.	D14/138
D500,992 S	*	1/2005	Shen et al.	D14/138
D502,933 S	*	3/2005	Munstermann	D14/138
D503,163 S	*	3/2005	Chan et al.	D14/138
D504,879 S	*	5/2005	Moss	D14/138
D507,562 S		7/2005	Kim		
D514,079 S	*	1/2006	Lai	D14/138
D515,533 S	*	2/2006	Yano	D14/138
D515,536 S	*	2/2006	Lee et al.	D14/138
D515,537 S	*	2/2006	Kim et al.	D14/138
D515,538 S	*	2/2006	Huo et al.	D14/138
D517,039 S	*	3/2006	Lee	D14/138
D517,518 S	*	3/2006	Nakajima et al.	D14/138

D518,457 S	*	4/2006	Lyles	D14/138
D519,093 S	*	4/2006	Lyles	D14/138
D522,988 S	*	6/2006	Sheu	D14/138
2004/0180703 A1	*	9/2004	Kim et al.	455/575.1
2006/0105806 A1	*	5/2006	Vance et al.	455/556.1

FOREIGN PATENT DOCUMENTS

WO	DM/066301		2/2005
WO	DM/066599	*	4/2005
WO	DM/067469	*	1/2006

OTHER PUBLICATIONS

Siemens AX72 telephone, announced Oct. 2005, [online], [retrieved on Jun. 28, 2006]. Retrieved from Internet, URL: <http://www.gsmarena.com>>.*

Pantech PG-1900 telephone, announced May 2006, [online], [retrieved on Jun. 28, 2006]. Retrieved from Internet, URL: <http://www.gsmarena.com>>.*

Philips Xenium 9@9a telephone, announced Mar. 2006, [online], [retrieved on Jun. 28, 2006]. Retrieved from Internet, URL: <http://www.gsmarena.com>>.*

International Wireless Magazine; Jan. 2004; 2 pp.

Telecom Magazine; Jul. 2004; Commercial Advertisement; 2 pp.

* cited by examiner

Primary Examiner—Jeffrey Asch

(74) *Attorney, Agent, or Firm*—Banner & Witcoff, Ltd.

(57) **CLAIM**

The ornamental design for a handset, as shown and described.

DESCRIPTION

FIG. 1 is a bottom view of a handset showing my new design;

FIG. 2 is a right side view thereof;

FIG. 3 is a front view thereof;

FIG. 4 is a left side view thereof;

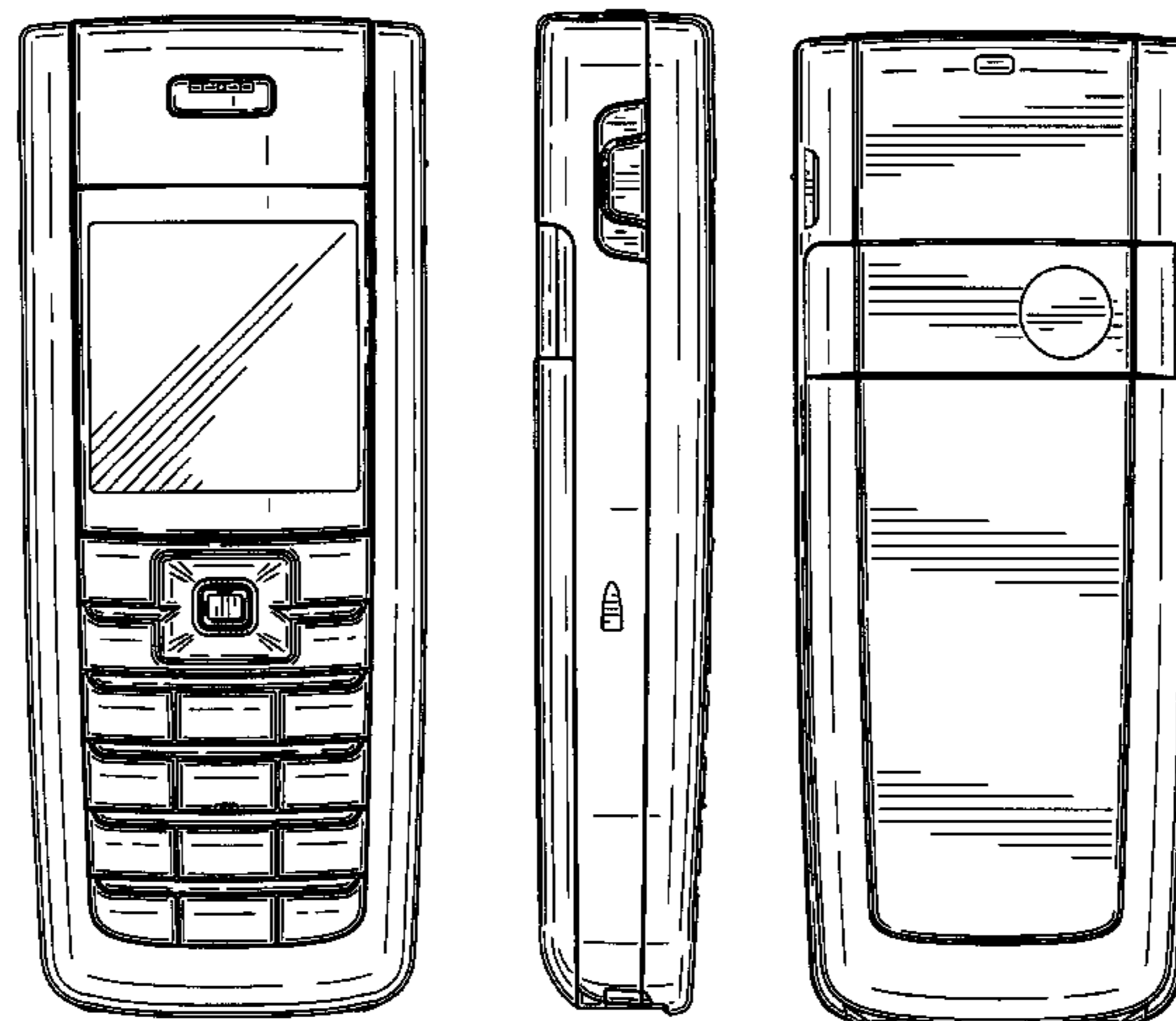
FIG. 5 is a top plan view thereof;

FIG. 6 is a rear view thereof;

FIG. 7 is a perspective front view thereof; and,

FIG. 8 is a perspective rear view thereof.

1 Claim, 4 Drawing Sheets



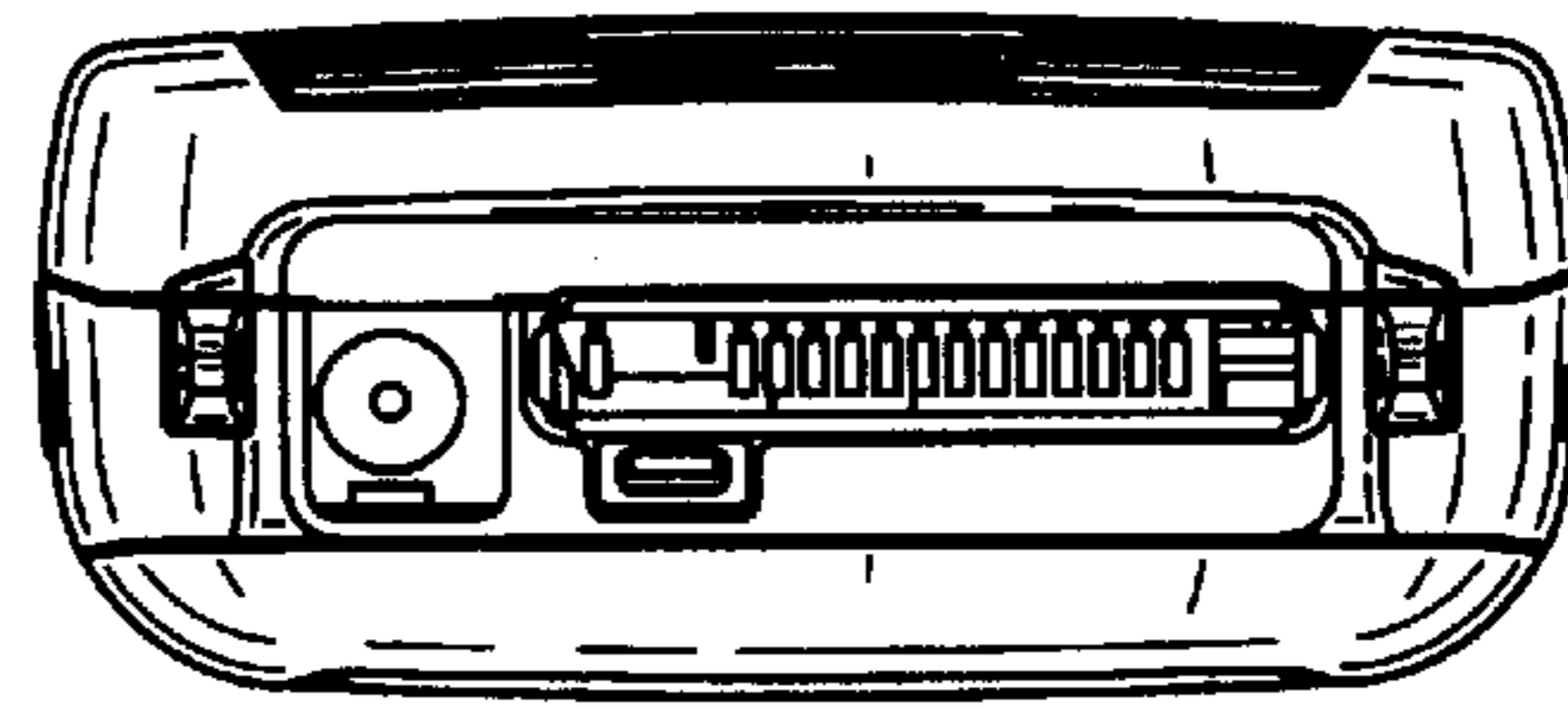


FIG. 1



FIG. 2

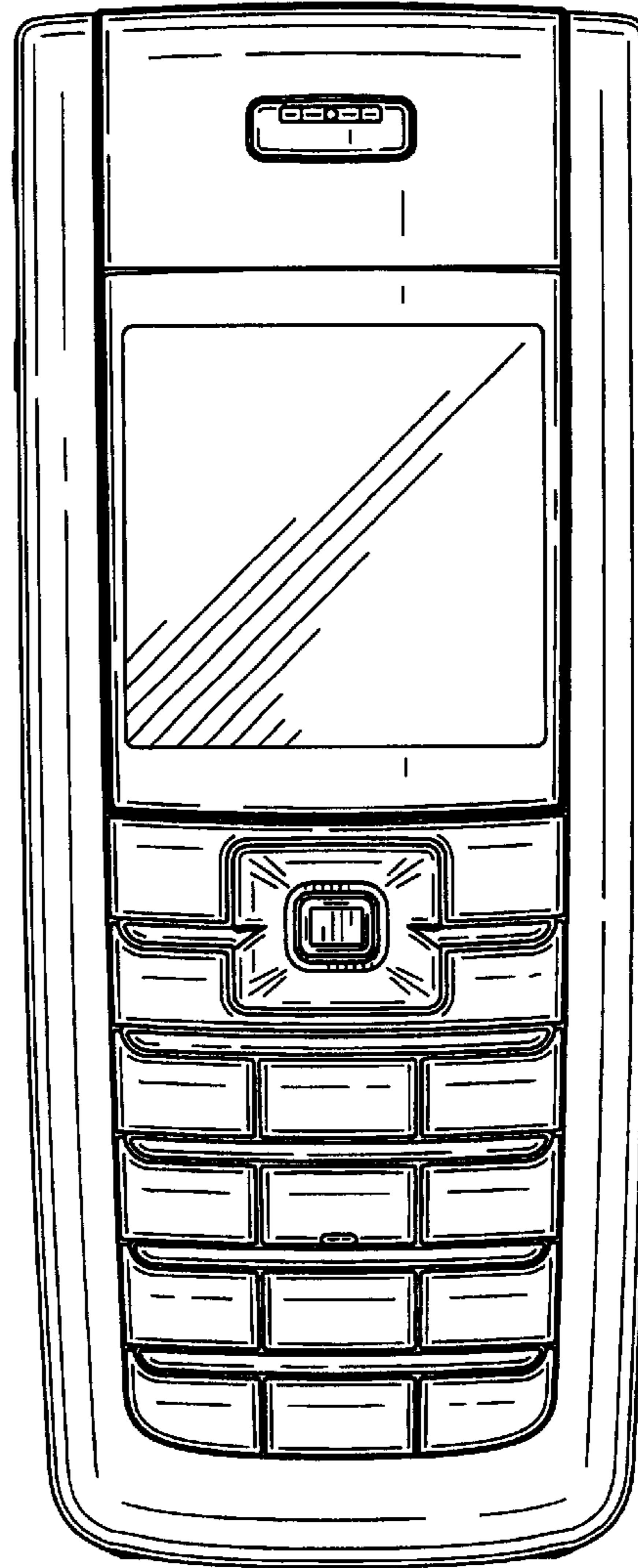


FIG. 3

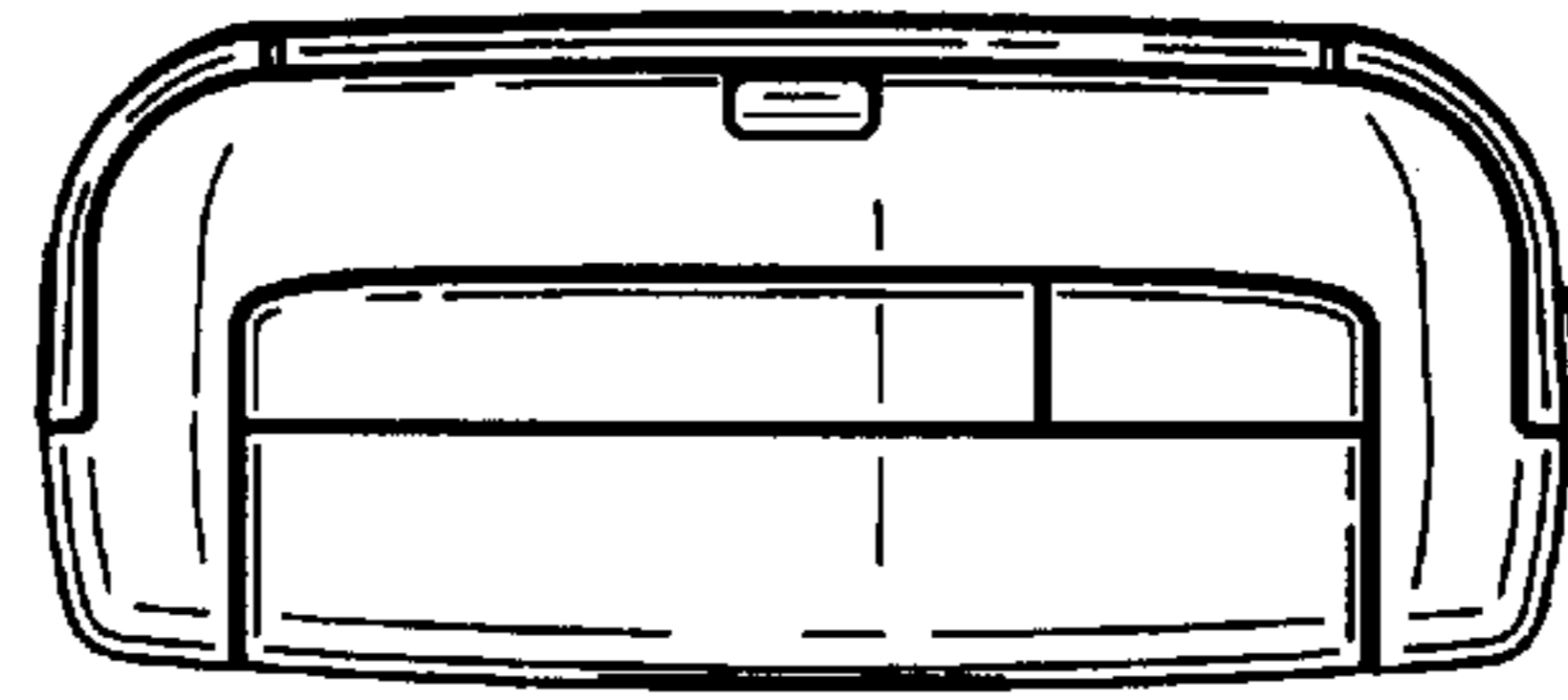


FIG. 5

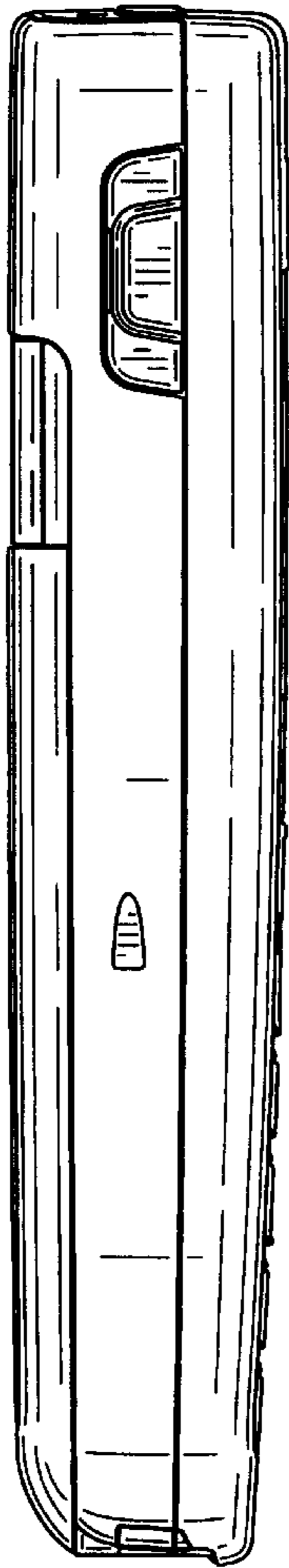


FIG. 4

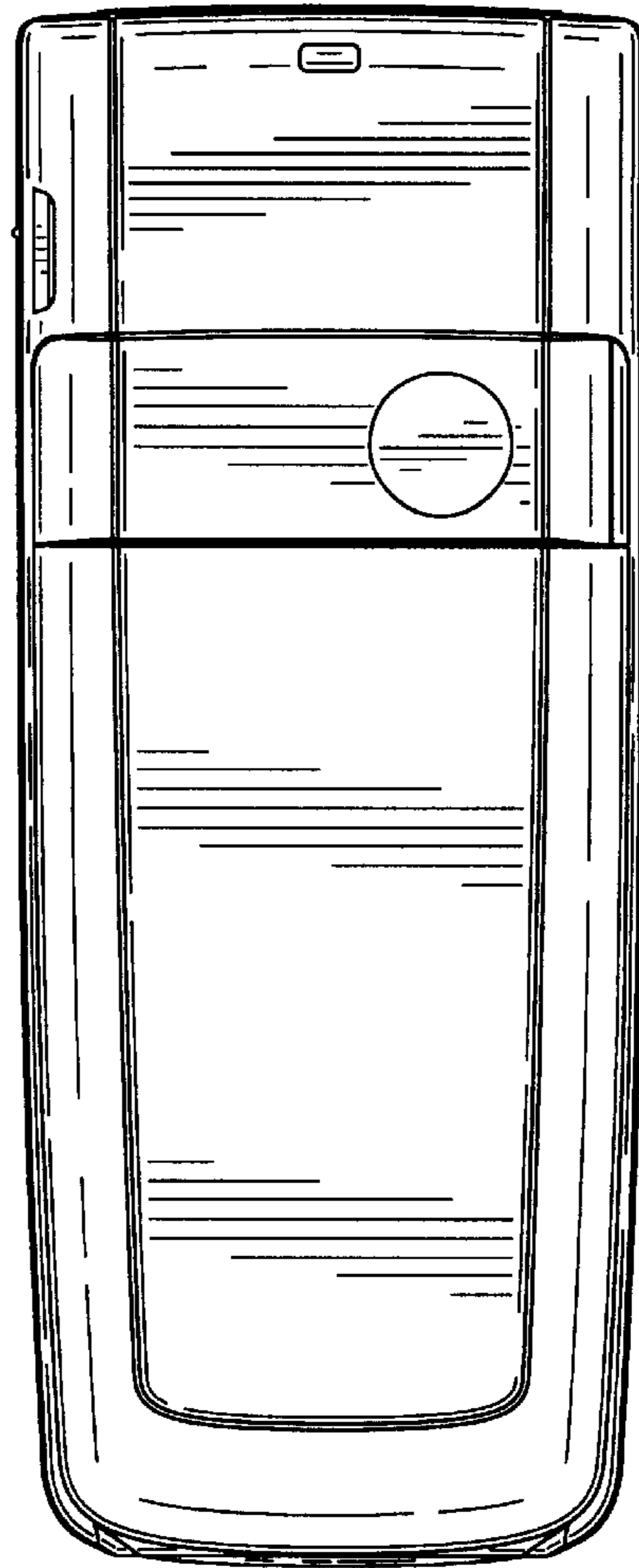


FIG. 6

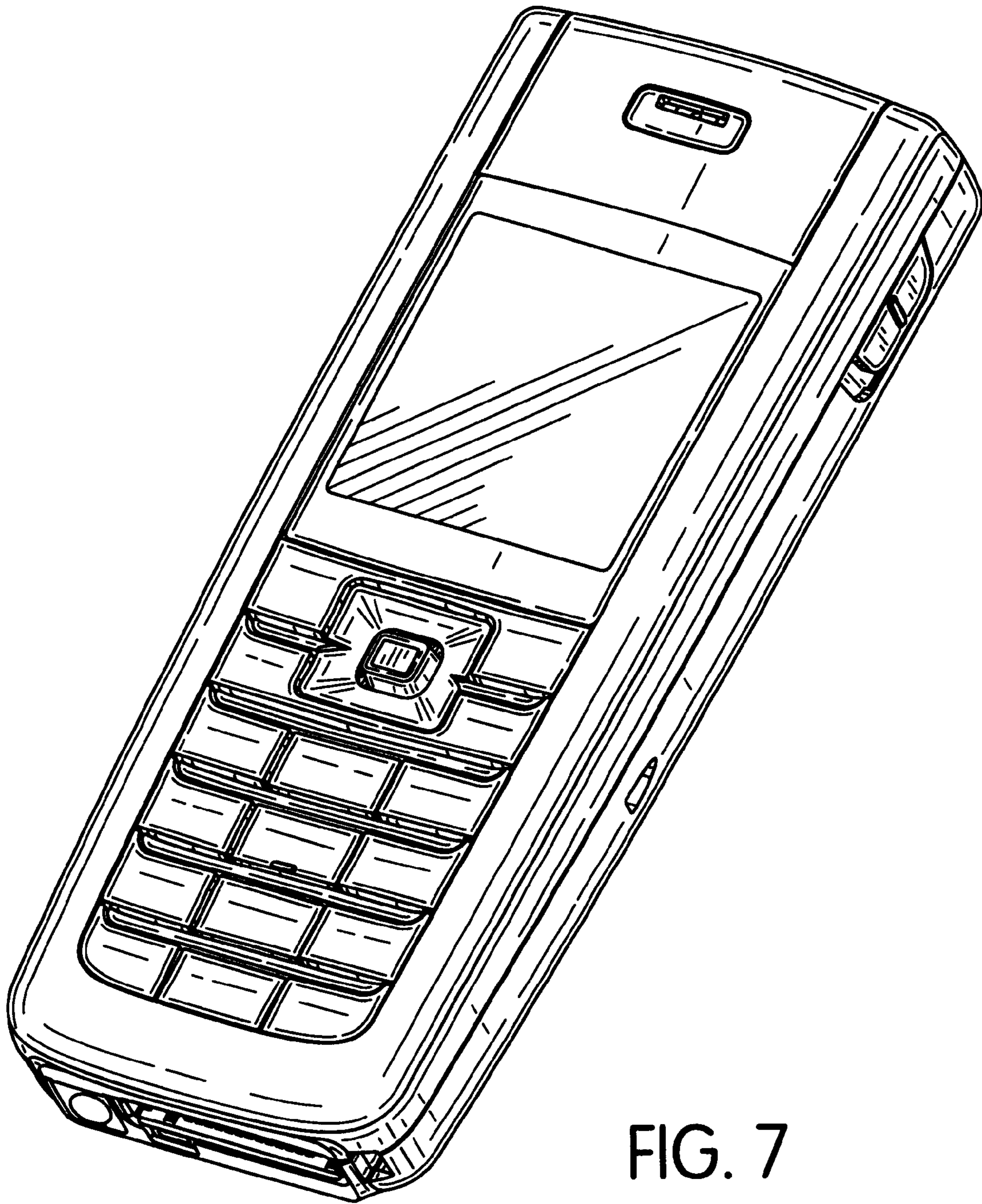


FIG. 7

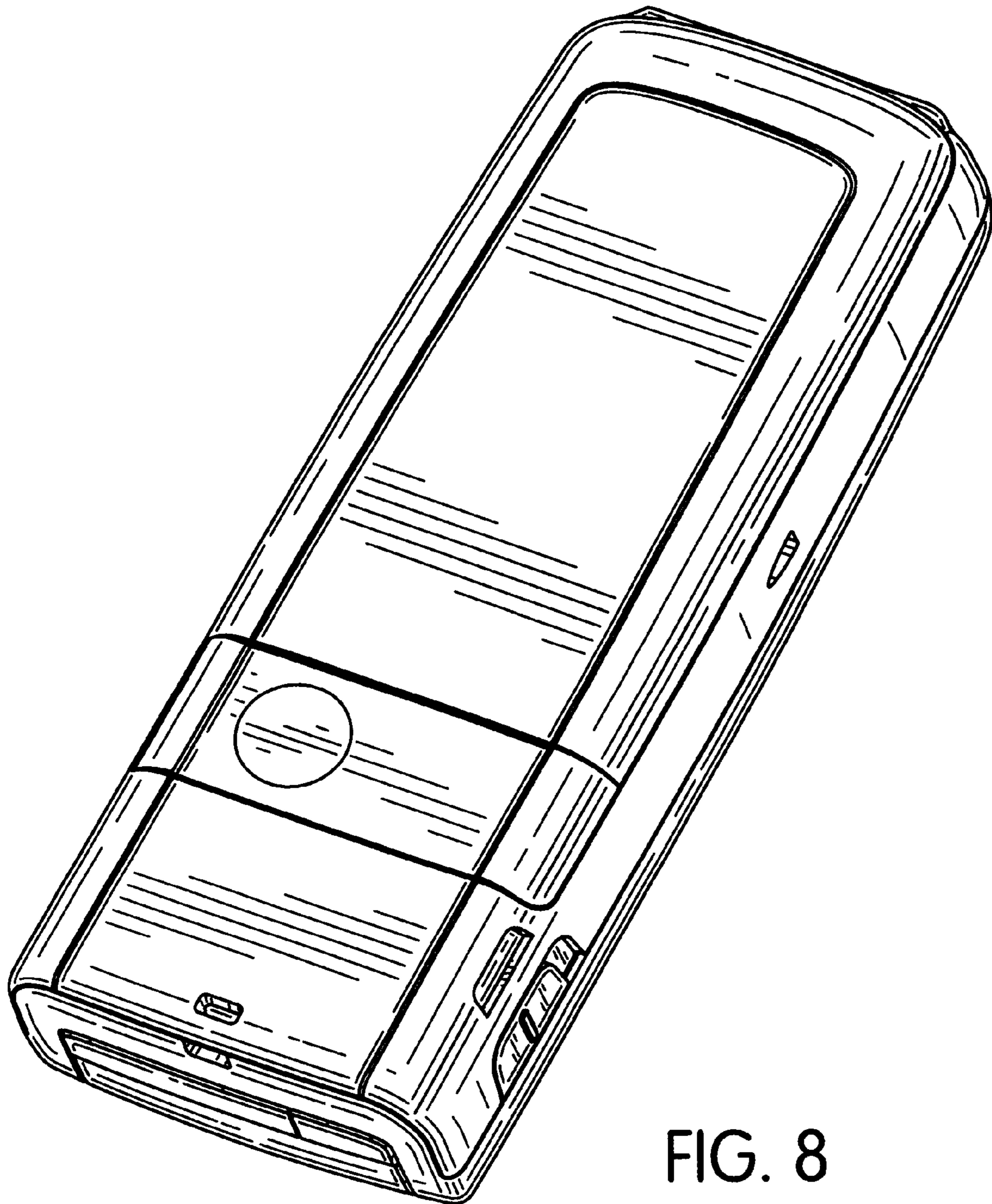


FIG. 8