



US00D538769S

(12) **United States Design Patent**
Nemoto

(10) **Patent No.:** **US D538,769 S**
(45) **Date of Patent:** **** Mar. 20, 2007**

(54) **DIGITAL DISC PLAYER**

FOREIGN PATENT DOCUMENTS

(75) Inventor: **Takafumi Nemoto**, Bunkyo-ku (JP)
(73) Assignee: **Clarion Co., Ltd.**, Tokyo (JP)
(**) Term: **14 Years**

CN	200530/39917.1	7/2005
JP	D1173564	3/2003
JP	D1219542	8/2004
JP	D1222642	10/2004
JP	D1238322	3/2005
JP	2005-11839	4/2005

(21) Appl. No.: **29/245,636**

* cited by examiner

(22) Filed: **Dec. 28, 2005**

Primary Examiner—Nanda Bondade

(51) **LOC (8) Cl.** **14-01**

(74) *Attorney, Agent, or Firm*—Oliff & Berridge, PLC

(52) **U.S. Cl.** **D14/136**

(57) **CLAIM**

(58) **Field of Classification Search** D14/135–136,
D14/156–157, 160–165, 167–168, 192–198,
D14/188; 360/99.02, 99.07; 369/75.11, 75.21,
369/77.21, 77.11; 720/612, 619, 647, 655;
455/344, 347–351

The ornamental design for digital disc player, as shown and described.

See application file for complete search history.

DESCRIPTION

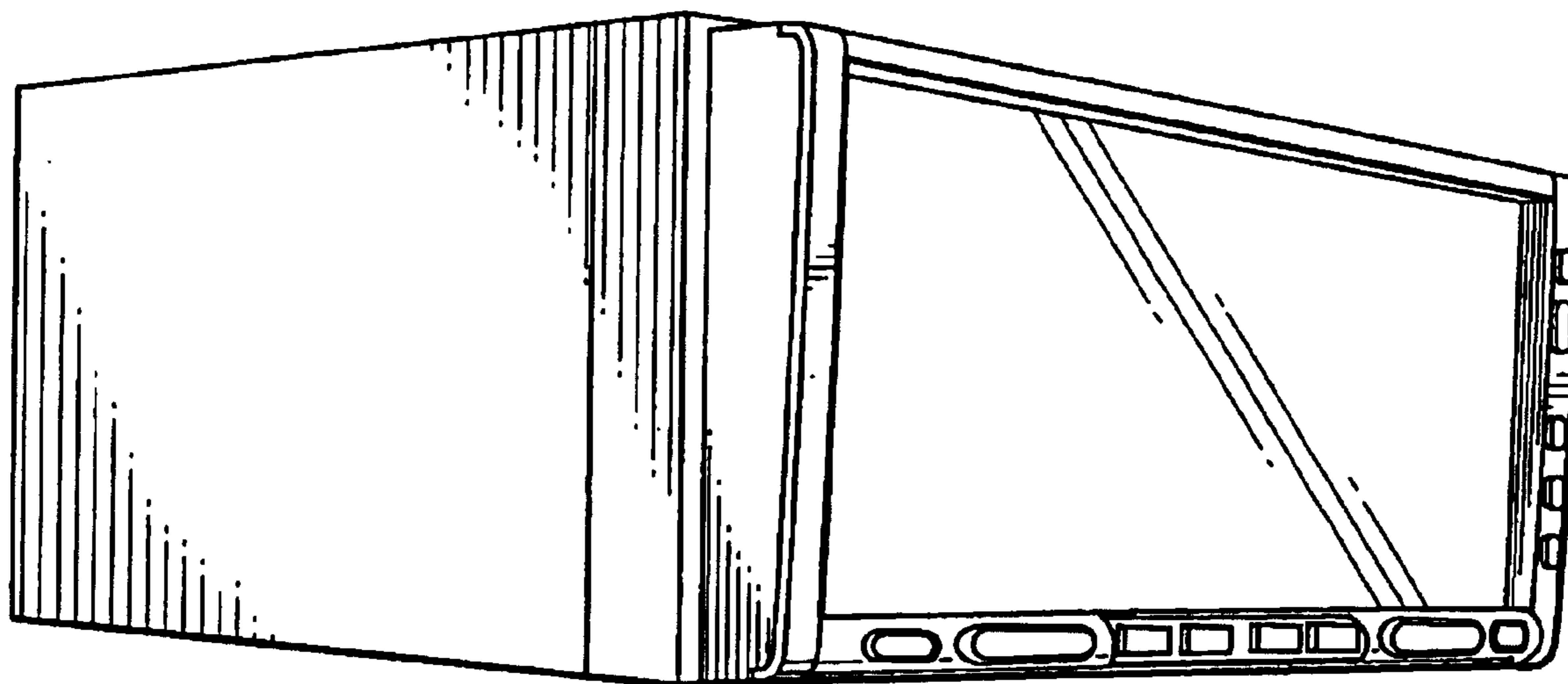
(56) **References Cited**

FIG. 1 is a perspective view of a digital disc player;
FIG. 2 is a front elevational view thereof;
FIG. 3 is a rear elevational view thereof;
FIG. 4 is a left side elevational view thereof;
FIG. 5 is a right side elevational view thereof;
FIG. 6 is a top plan view thereof;
FIG. 7 is a bottom plan view thereof; and,
FIG. 8 is a cross sectional view taken along the lines 8—8
of FIG. 2, and not showing inside components.

U.S. PATENT DOCUMENTS

D415,491 S	*	10/1999	Yano et al.	D14/168
D421,007 S	*	2/2000	Nagai	D14/156
D427,591 S	*	7/2000	Burghoff et al.	D14/258
D430,552 S	*	9/2000	Nose	D14/157
D439,227 S	*	3/2001	Okada et al.	D14/136
D475,690 S	*	6/2003	Nose et al.	D14/157

1 Claim, 5 Drawing Sheets



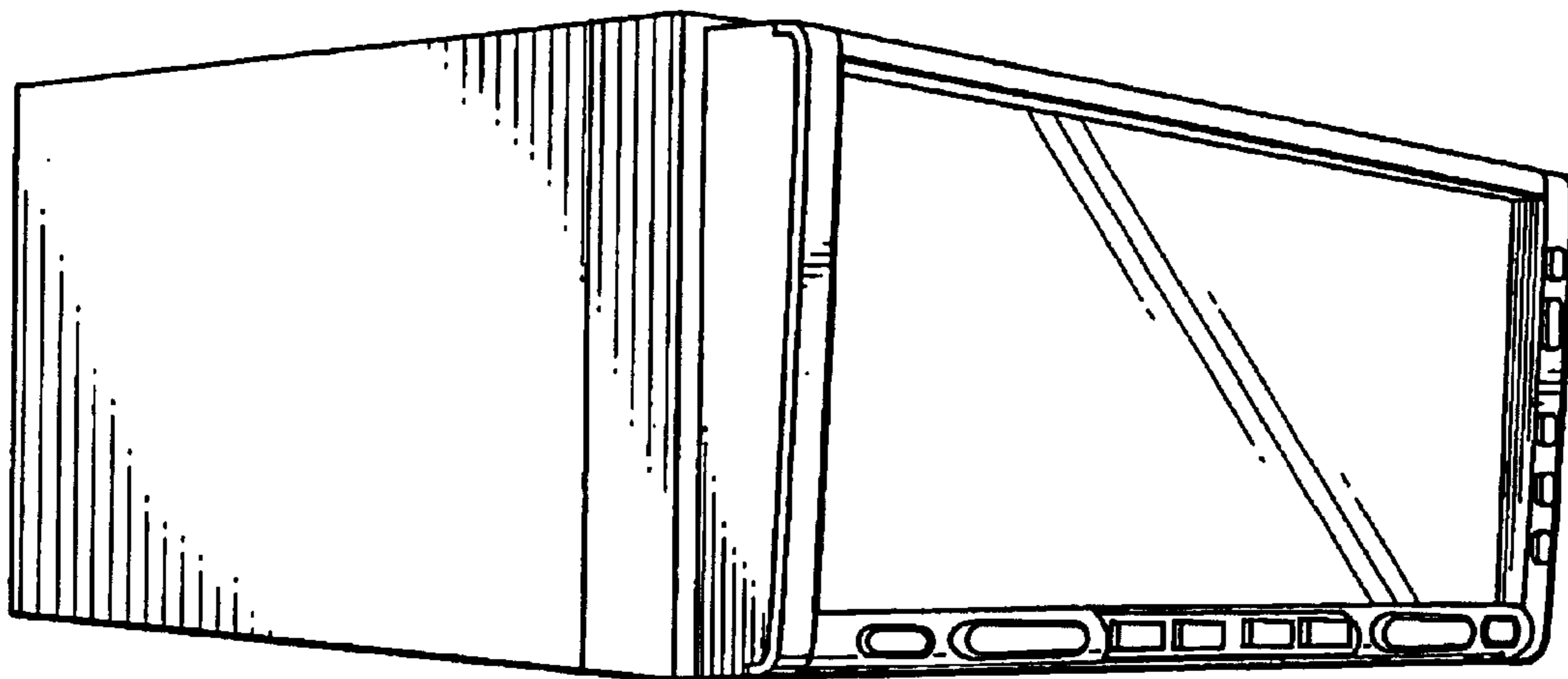
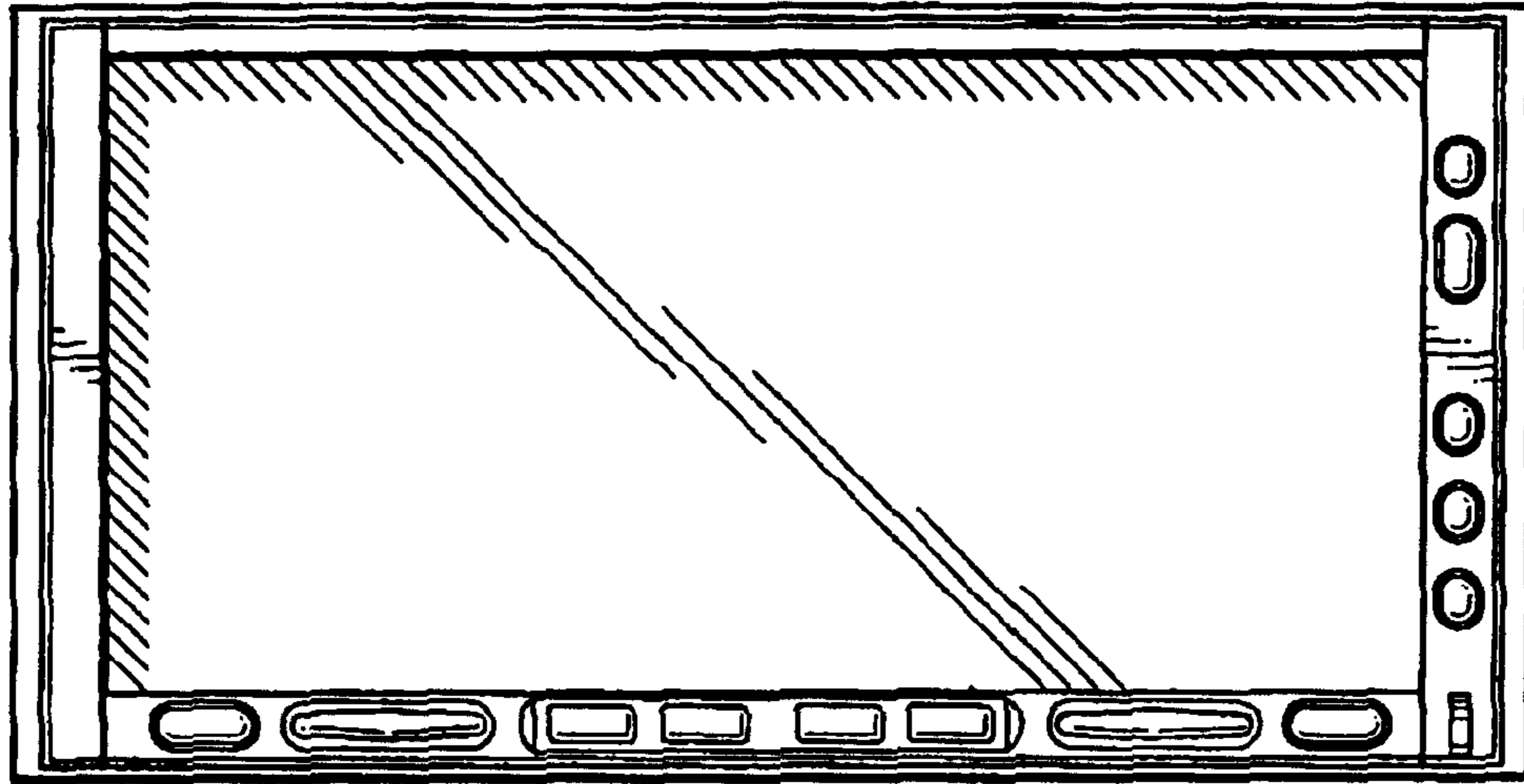


FIG. 1

FIG. 2

8 ←



8 ←

FIG. 3

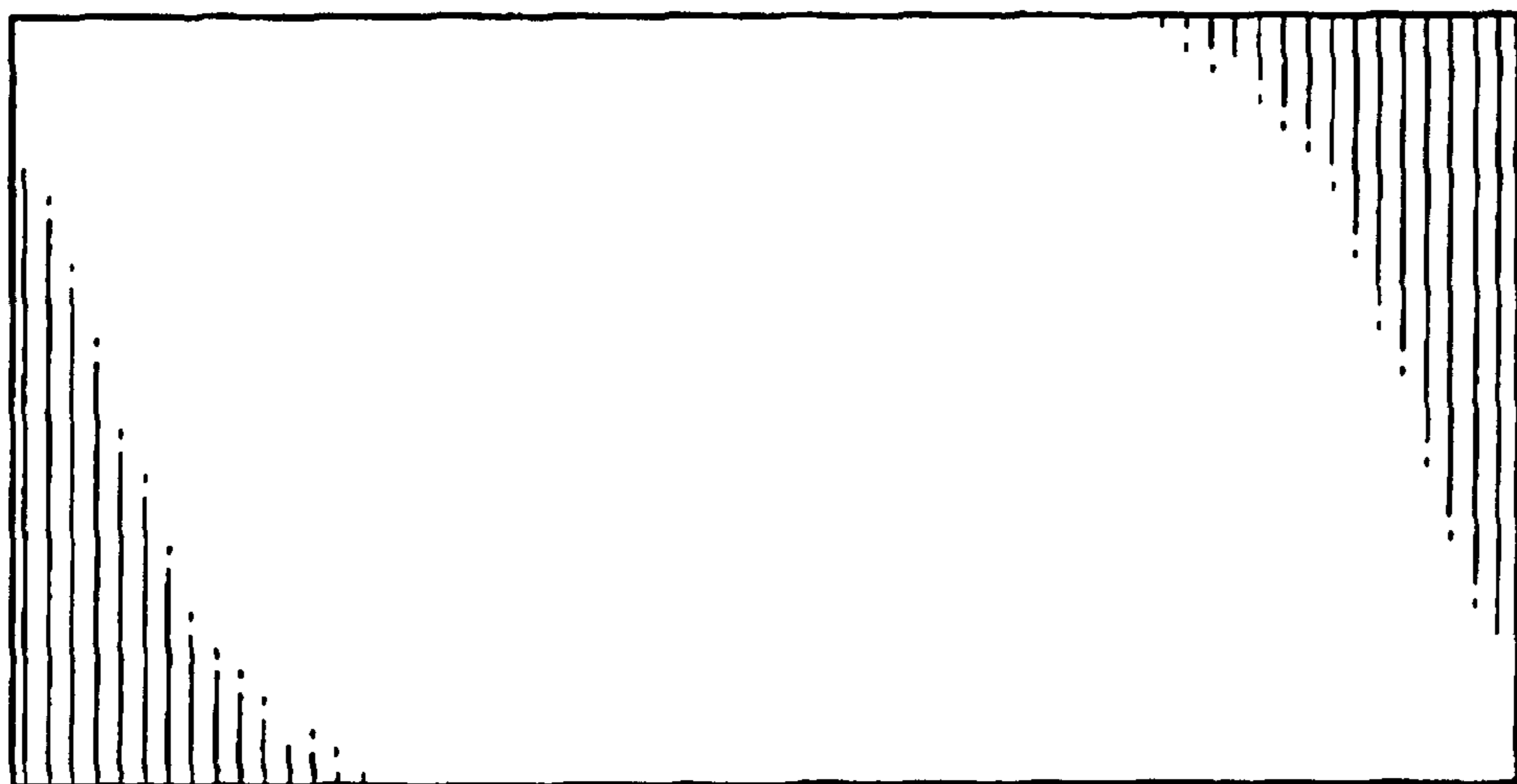


FIG. 4

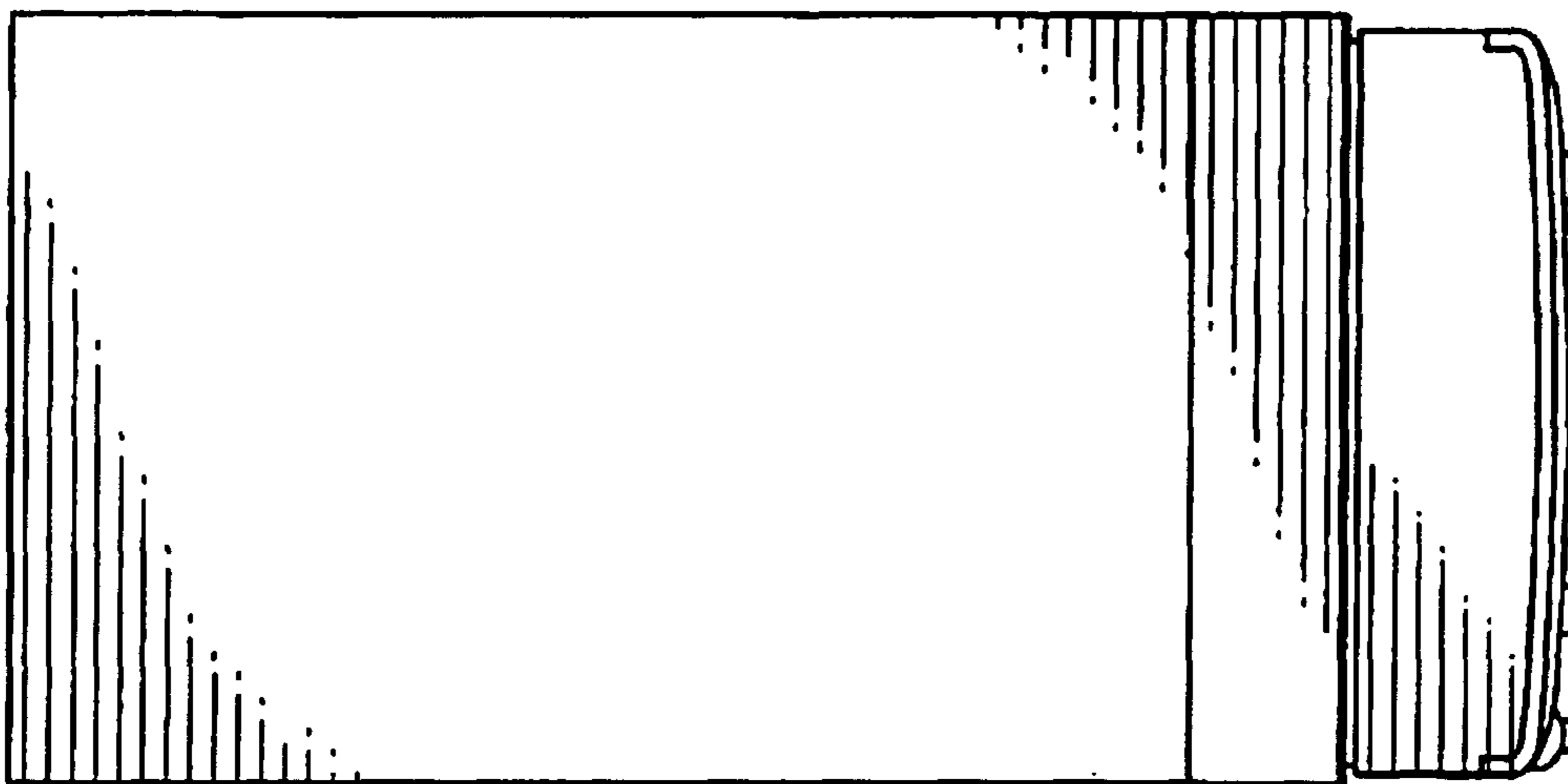


FIG. 5

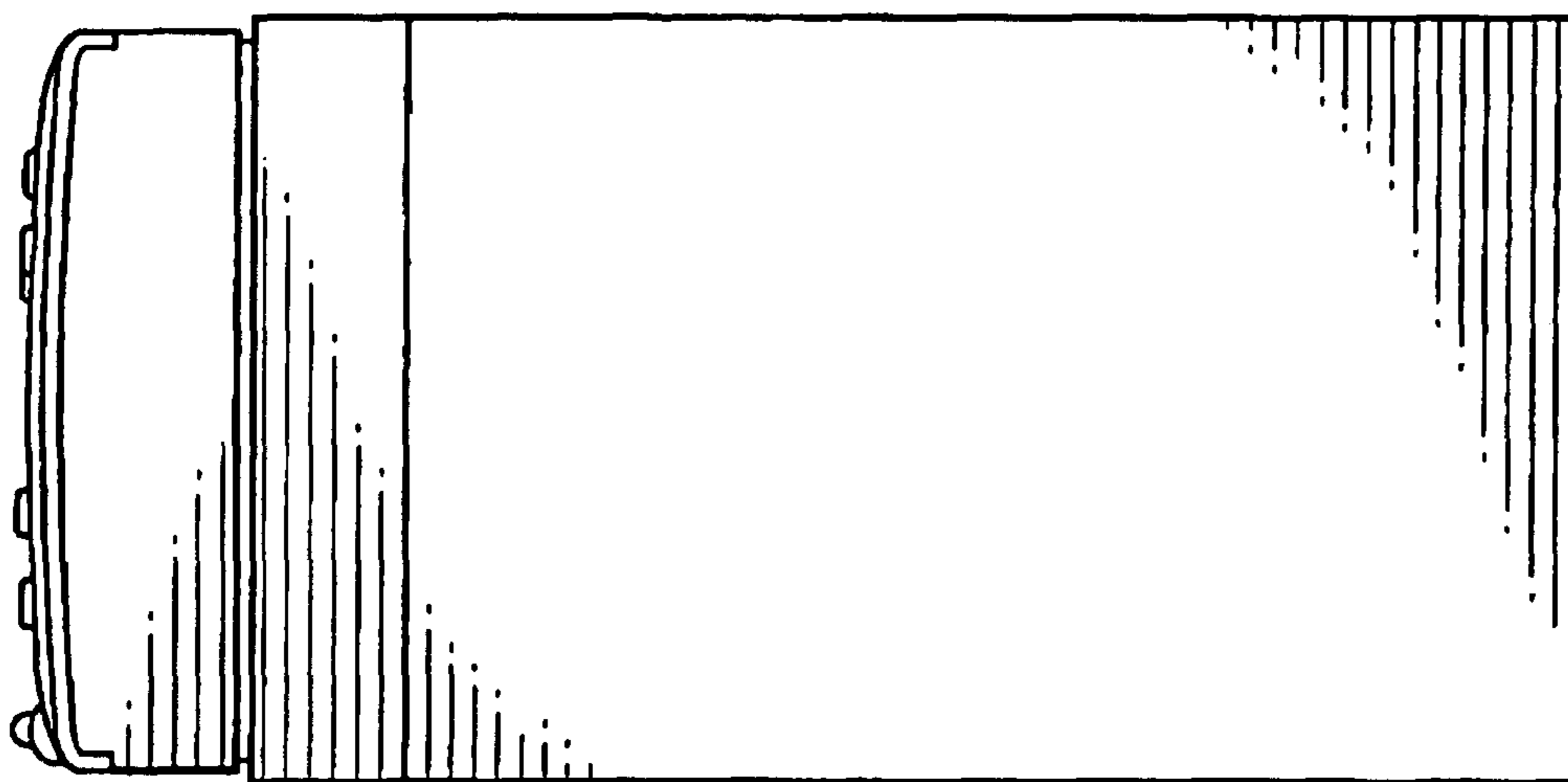


FIG. 6

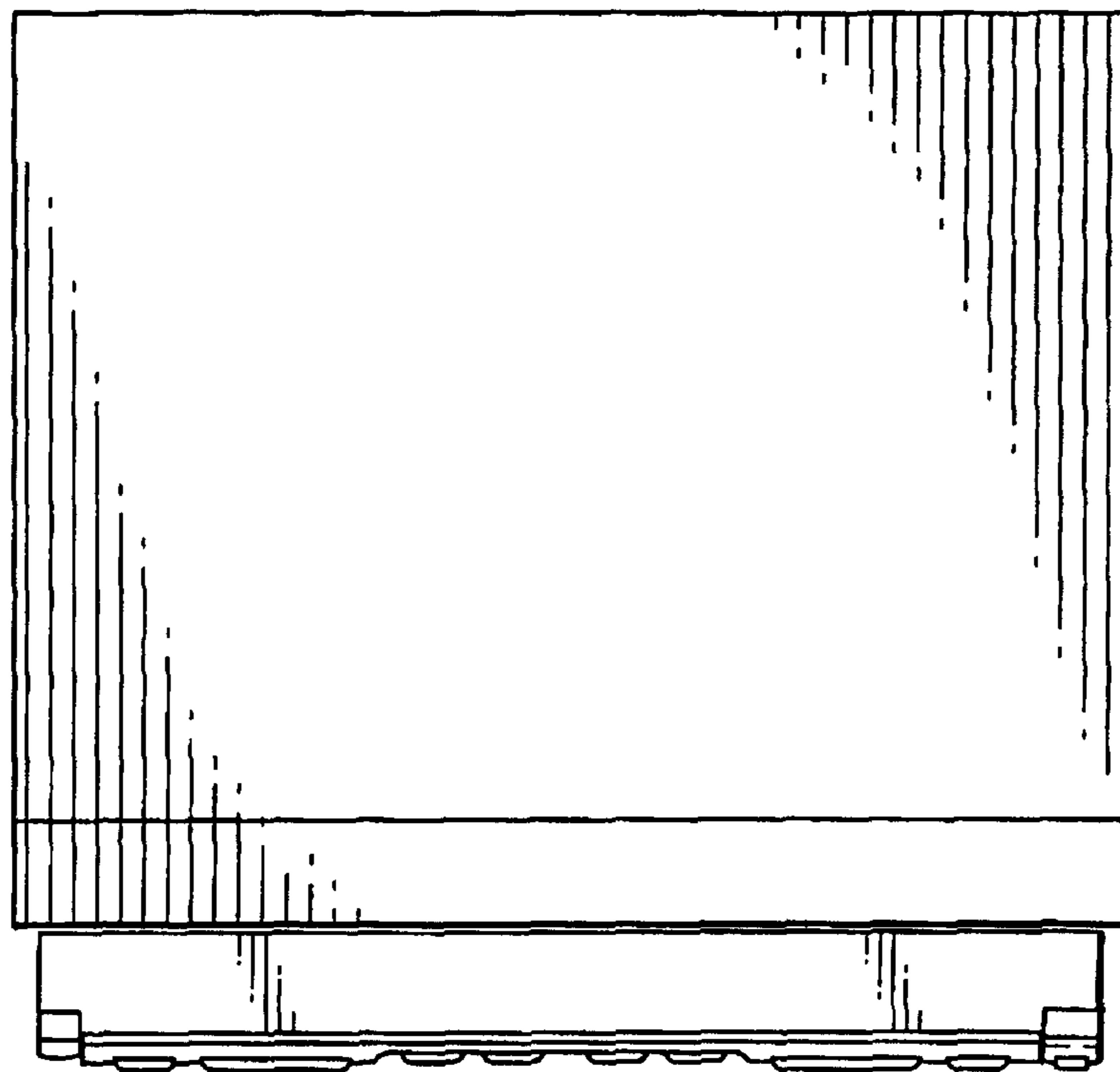
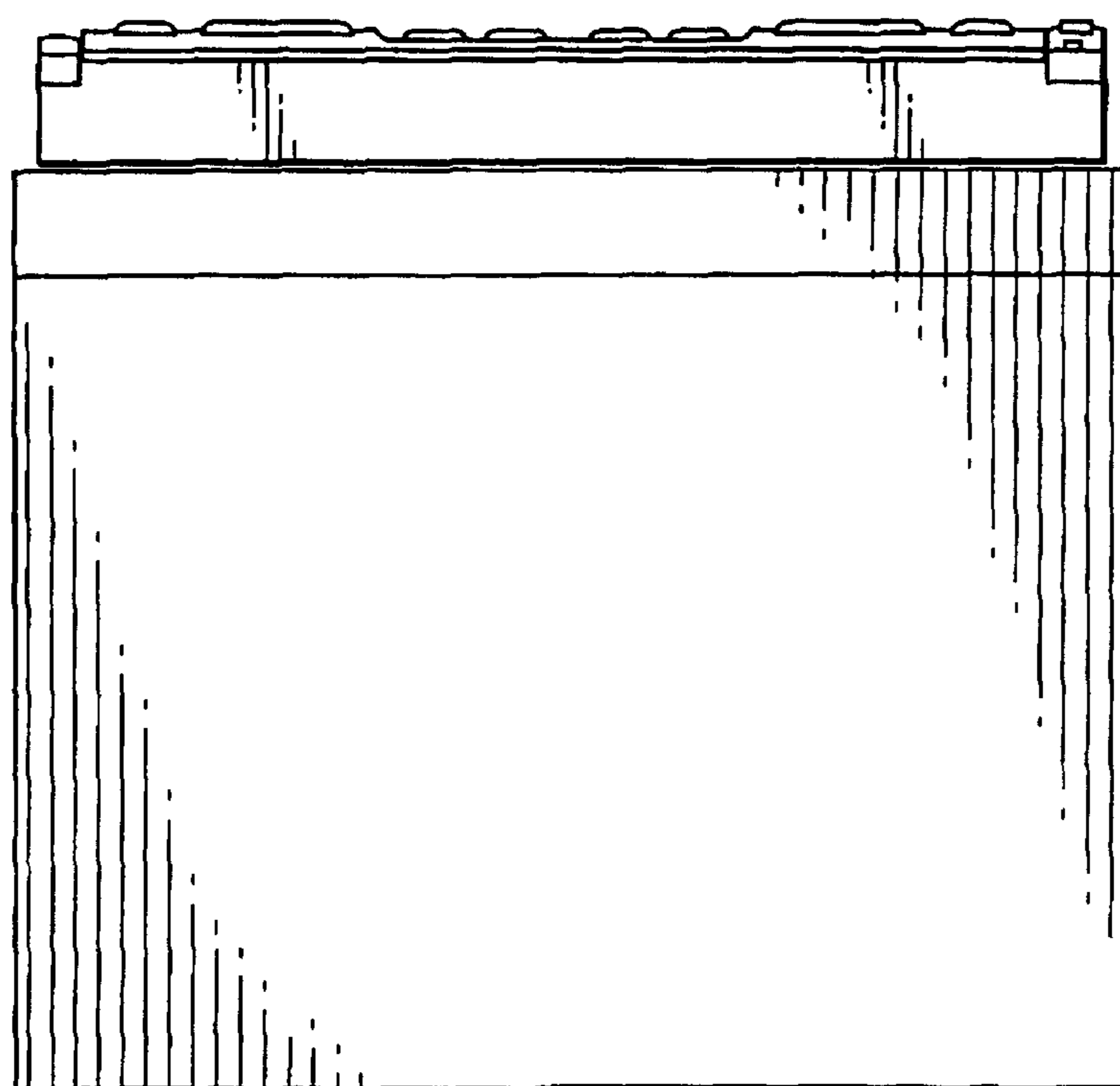


FIG. 7



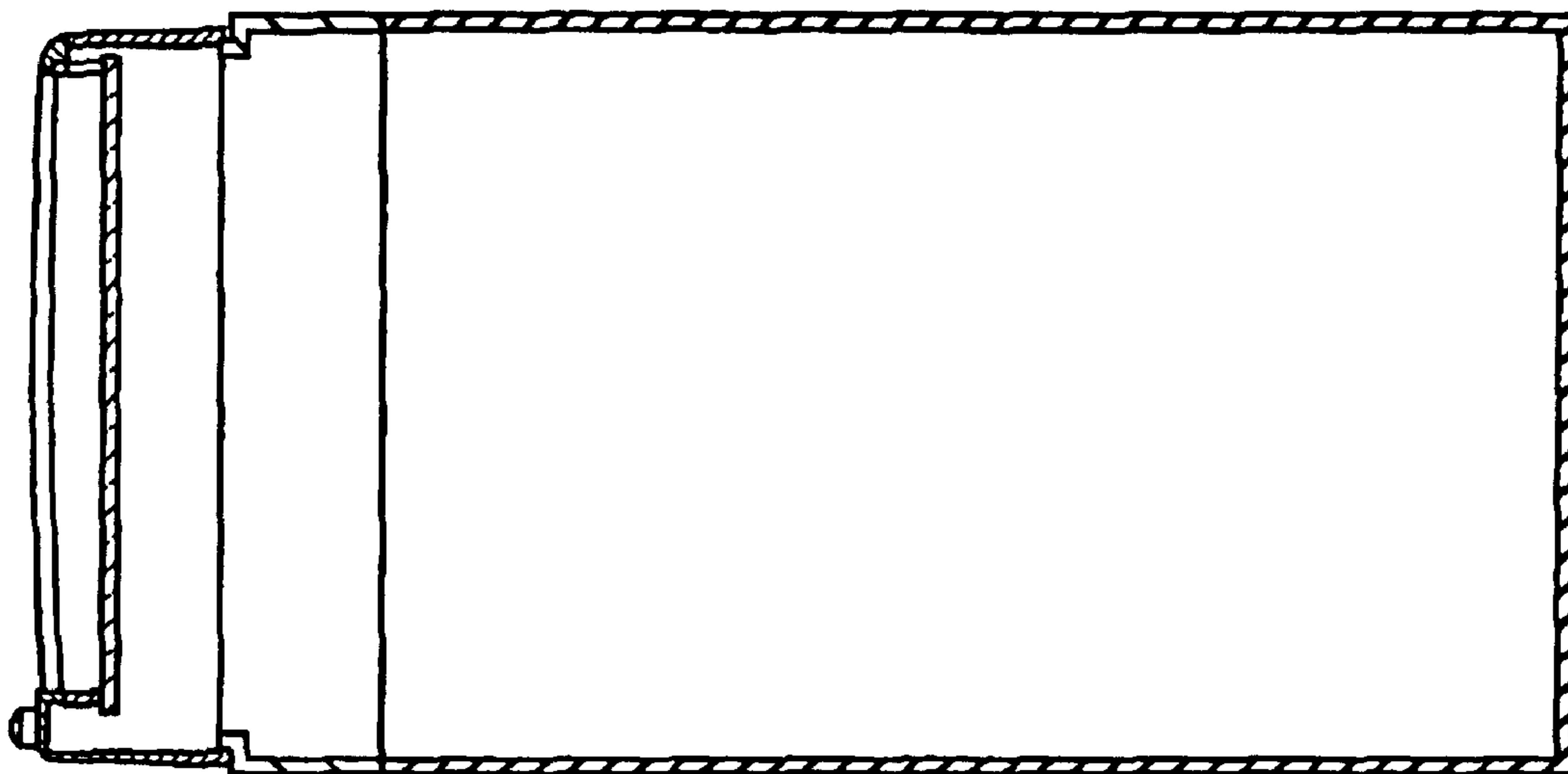


FIG. 8