



US00D538754S

(12) **United States Design Patent**
Sasaki et al.

(10) **Patent No.:** **US D538,754 S**
(45) **Date of Patent:** **** Mar. 20, 2007**

(54) **RELAY FOR LIGHTING CONTROL**

(75) Inventors: **Tomoaki Sasaki**, Tsu (JP); **Naoki Kanemoto**, Tsu (JP); **Takafumi Imai**, Kamakiri Tsu (JP)

(73) Assignee: **Matsushita Electric Works, Ltd.**, Osaka (JP)

(**) Term: **14 Years**

(21) Appl. No.: **29/237,779**

(22) Filed: **Sep. 7, 2005**

(30) **Foreign Application Priority Data**

Mar. 7, 2005 (JP) 2005-006626

(51) **LOC (8) Cl.** **13-03**

(52) **U.S. Cl.** **D13/159**

(58) **Field of Classification Search** D13/147, D13/158, 159, 160; 200/237, 293; 307/125; 335/6, 78, 106, 121, 128, 132, 133, 202; 337/14, 36, 49; 361/160, 626, 819; 439/160, 439/687, 692

See application file for complete search history.

(56) **References Cited**

U.S. PATENT DOCUMENTS

- 3,482,201 A * 12/1969 Schneck 439/497
- 3,845,460 A * 10/1974 Fujita et al. 439/687
- D255,350 S * 6/1980 Fujita et al. D13/159
- 4,891,621 A * 1/1990 Heckenkamp et al. 337/49
- 5,000,692 A * 3/1991 Taniguchi et al. 439/160
- 5,250,920 A * 10/1993 Fujihisa et al. 335/202
- D340,912 S * 11/1993 Miller D13/154

- 5,589,809 A * 12/1996 Kogawa et al. 337/36
- D472,878 S * 4/2003 Kitamura D13/147
- 6,624,731 B2 * 9/2003 Passow et al. 335/202
- 2003/0076204 A1 * 4/2003 Whipple et al. 335/202

OTHER PUBLICATIONS

National Matsushita Electric Works, Ltd. Densetsushizai 2002–2004 catalog, Jun. 3, 2002 pages.

* cited by examiner

Primary Examiner—Selina Sikder

(74) *Attorney, Agent, or Firm*—Osha•Liang LLP

(57) **CLAIM**

The ornamental design for a relay for lighting control, as shown and described.

DESCRIPTION

FIG. 1 is a perspective view of the design according to the invention.

FIG. 2 is a left side view of the design according to the invention.

FIG. 3 is a right side view of the design according to the invention.

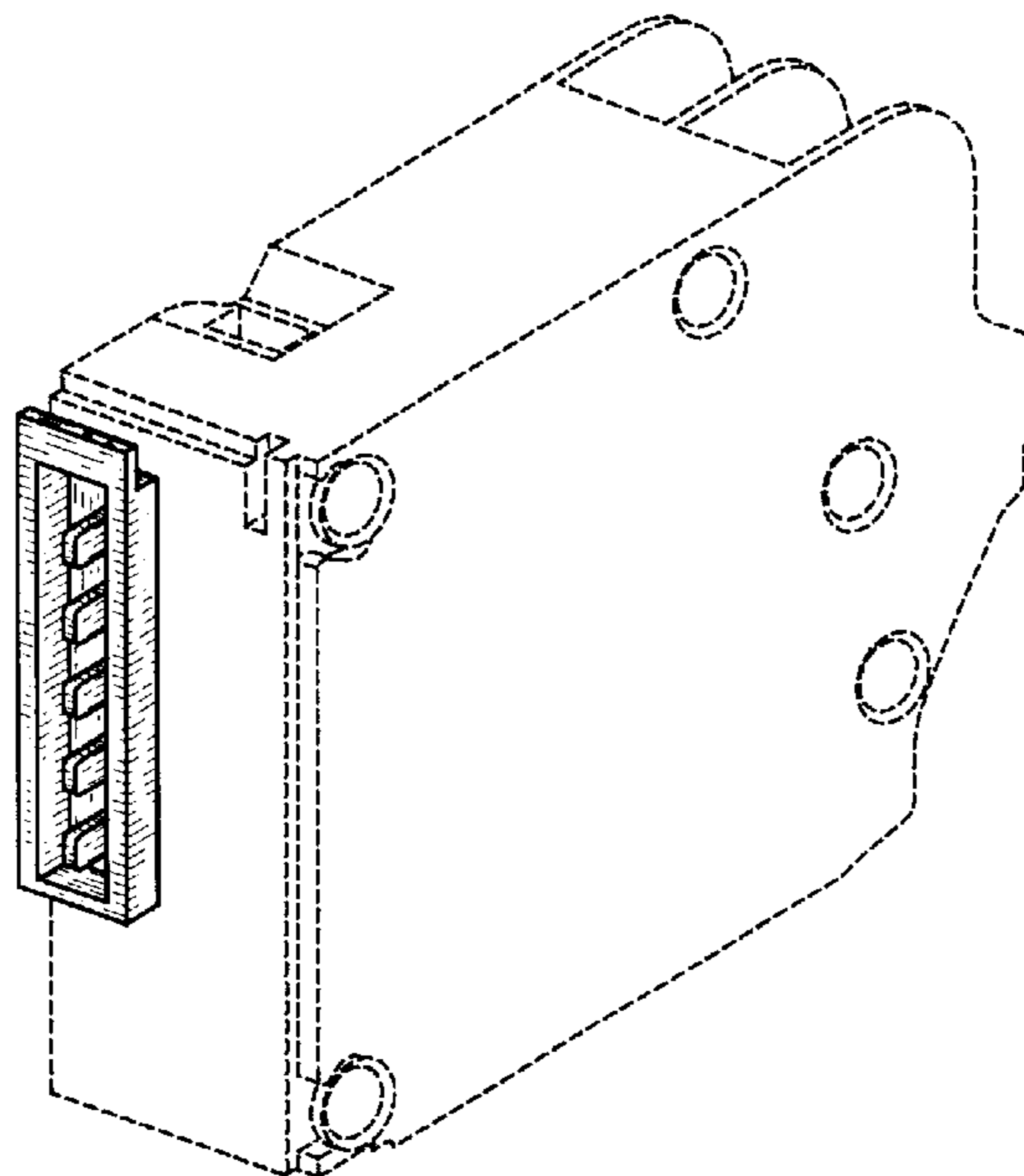
FIG. 4 is a front view of the design according to the invention.

FIG. 5 is a top view of the design according to the invention; and,

FIG. 6 is a bottom view of the design according to the invention.

The portions in even broken lines are for illustrative purposes only and form no part of the claimed design.

1 Claim, 3 Drawing Sheets



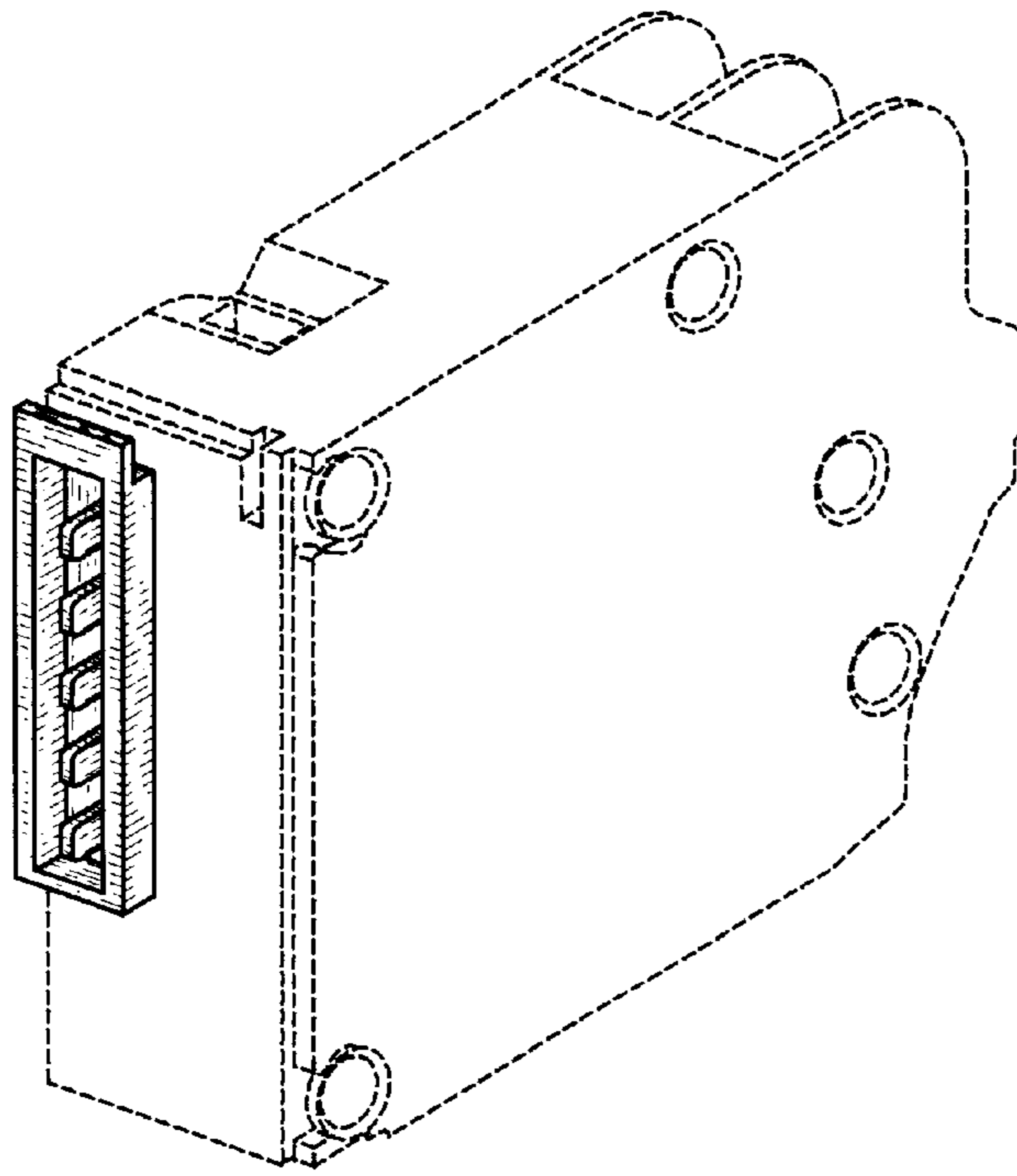


FIG. 1

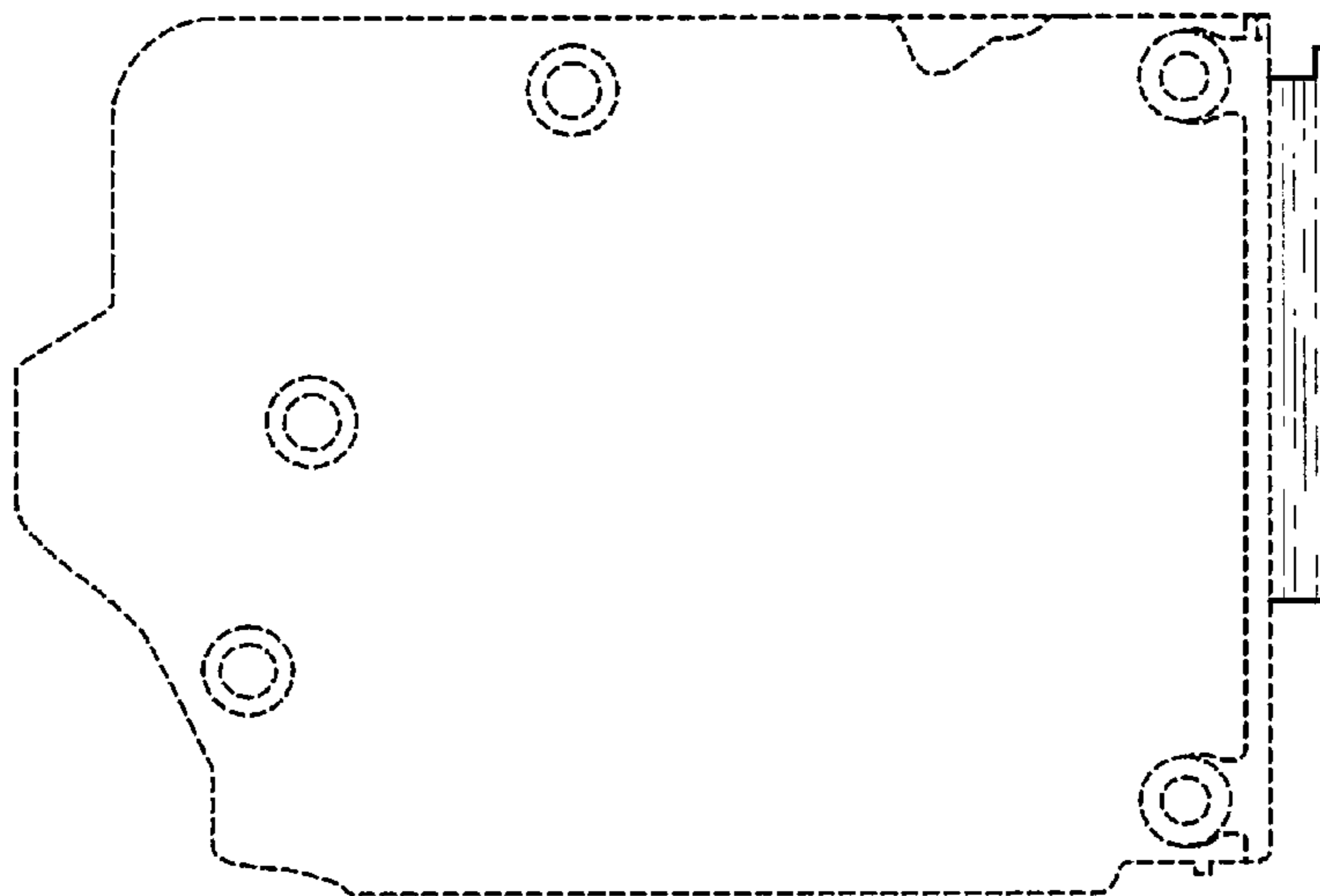


FIG. 2

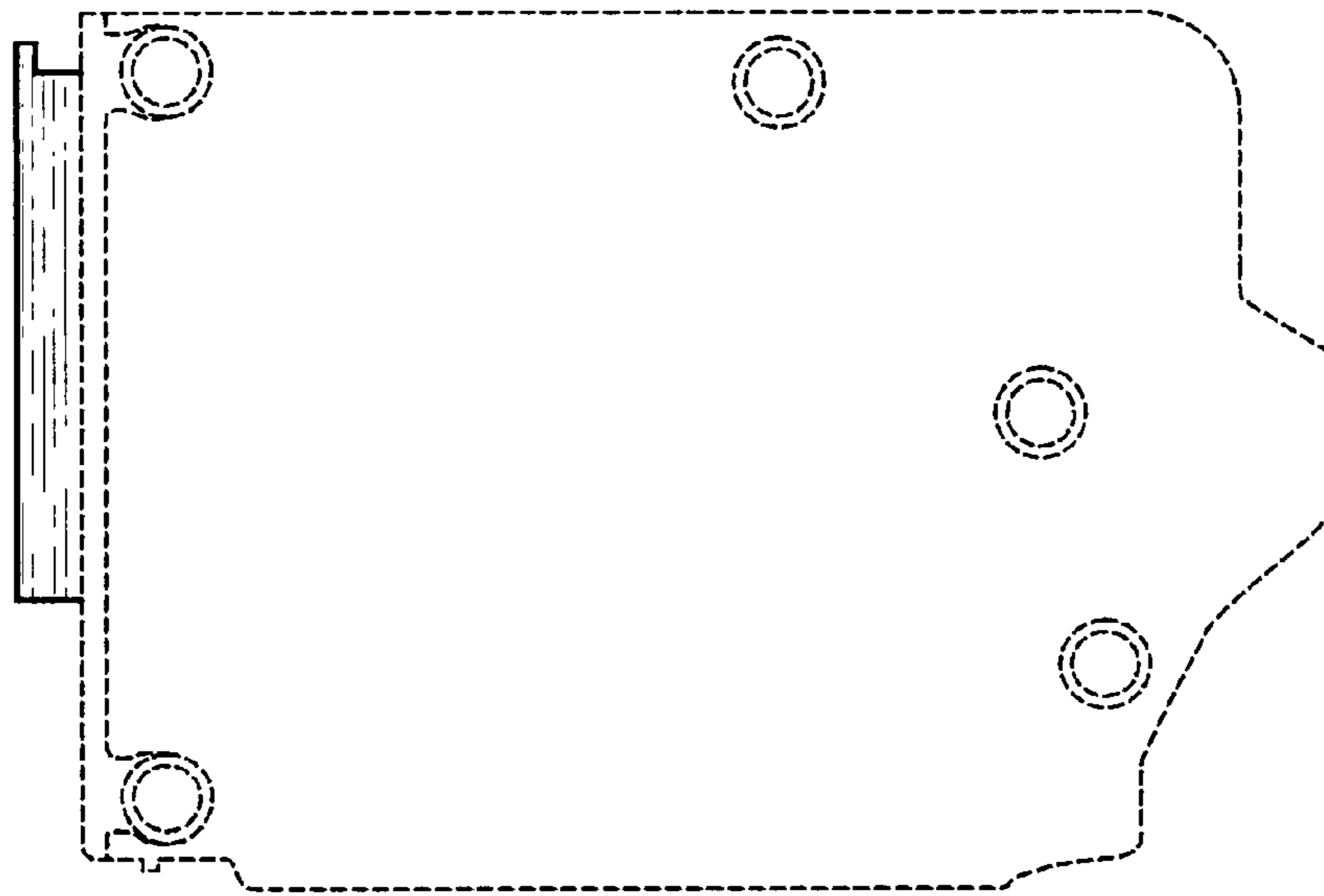


FIG. 3

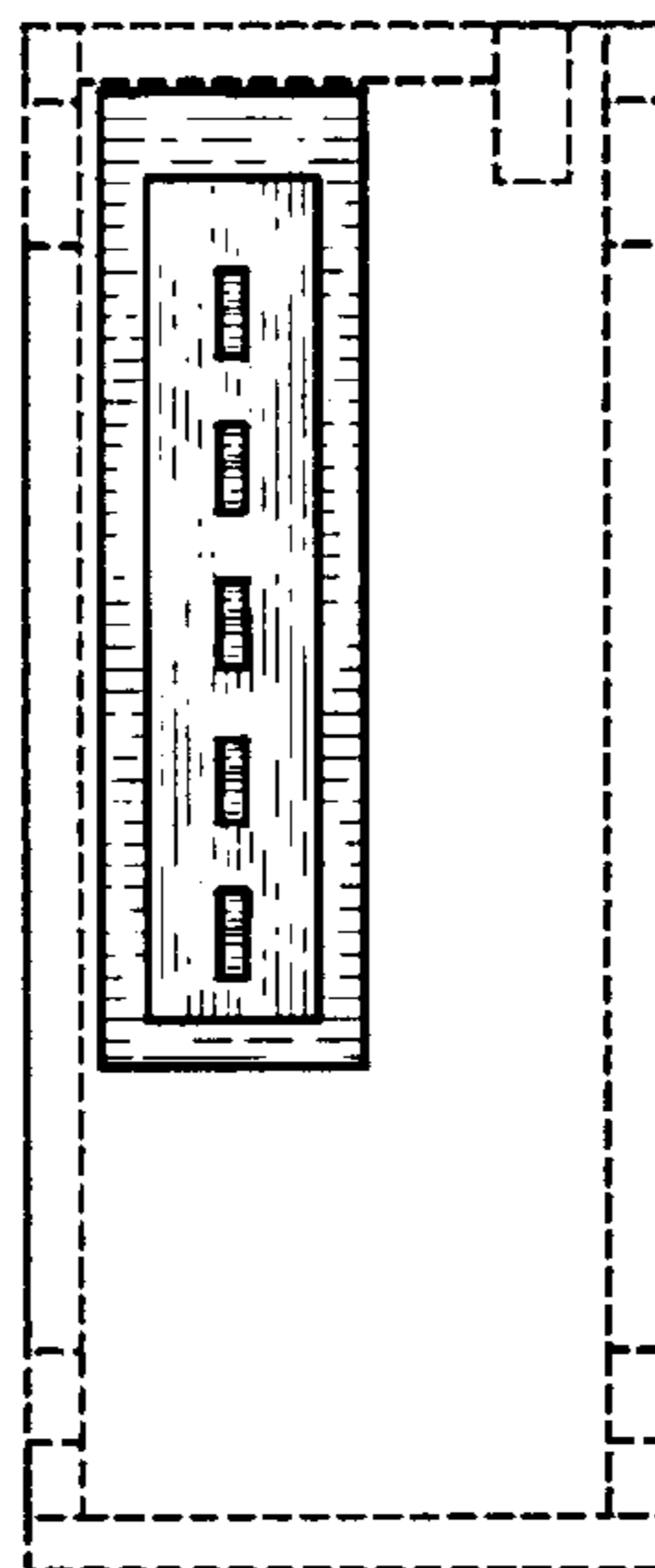


FIG. 4



FIG. 5



FIG. 6