



US00D538748S

(12) **United States Design Patent**
Kubo et al.

(10) **Patent No.:** **US D538,748 S**
(45) **Date of Patent:** **** Mar. 20, 2007**

(54) **FLAT CABLE COUPLER**
(75) Inventors: **Akira Kubo**, Tokyo (JP); **Masata Umehara**, Tokyo (JP)
(73) Assignee: **Tyco Electronics AMP K.K.**, Kanagawa-Ken (JP)
(**) Term: **14 Years**

JP 2000-268904 9/2000
JP 2001-068189 3/2001
JP 2002-100426 4/2002
JP 2003-133781 5/2003

* cited by examiner

Primary Examiner—Daniel Bui
(74) *Attorney, Agent, or Firm*—Barley Snyder LLC

(21) Appl. No.: **29/236,137**
(22) Filed: **Aug. 11, 2005**

(57) **CLAIM**

The ornamental design for a flat cable coupler, as shown and described.

(30) **Foreign Application Priority Data**

Mar. 23, 2005 (JP) 2005-008520

(51) **LOC (8) Cl.** **13-03**
(52) **U.S. Cl.** **D13/149**
(58) **Field of Classification Search** D13/133,
D13/146–147, 149, 154, 184, 199; D14/432–436;
439/108, 152, 495, 630, 660, 736
See application file for complete search history.

DESCRIPTION

FIG. 1 is a front view of a flat cable coupler, with the lock plate in a closed position, showing our new design;
FIG. 2 is a top plan view thereof;
FIG. 3 is a bottom plan view thereof;
FIG. 4 is a rear plan view thereof;
FIG. 5 is a right-side view thereof;
FIG. 6 is a left-side view thereof;
FIG. 7 is a sectional view taken along the line A—A of FIG. 2;
FIG. 8 is a front view of the flat cable coupler of FIG. 1 showing the lock plate in an open position;
FIG. 9 is a top plan view thereof;
FIG. 10 is a bottom plan view thereof;
FIG. 11 is a rear plan view thereof;
FIG. 12 is a right side view thereof;
FIG. 13 is a left side view thereof;
FIG. 14 is a sectional view taken along the line B—B of FIG. 9;
FIG. 15 is a plan view of the flat cable coupler of FIG. 1 in use condition; and,
FIG. 16 is a sectional view taken along the C—C of FIG. 15. The broken line showing the environment is for illustrative purposes only and forms no part of the claimed design.

(56) **References Cited**

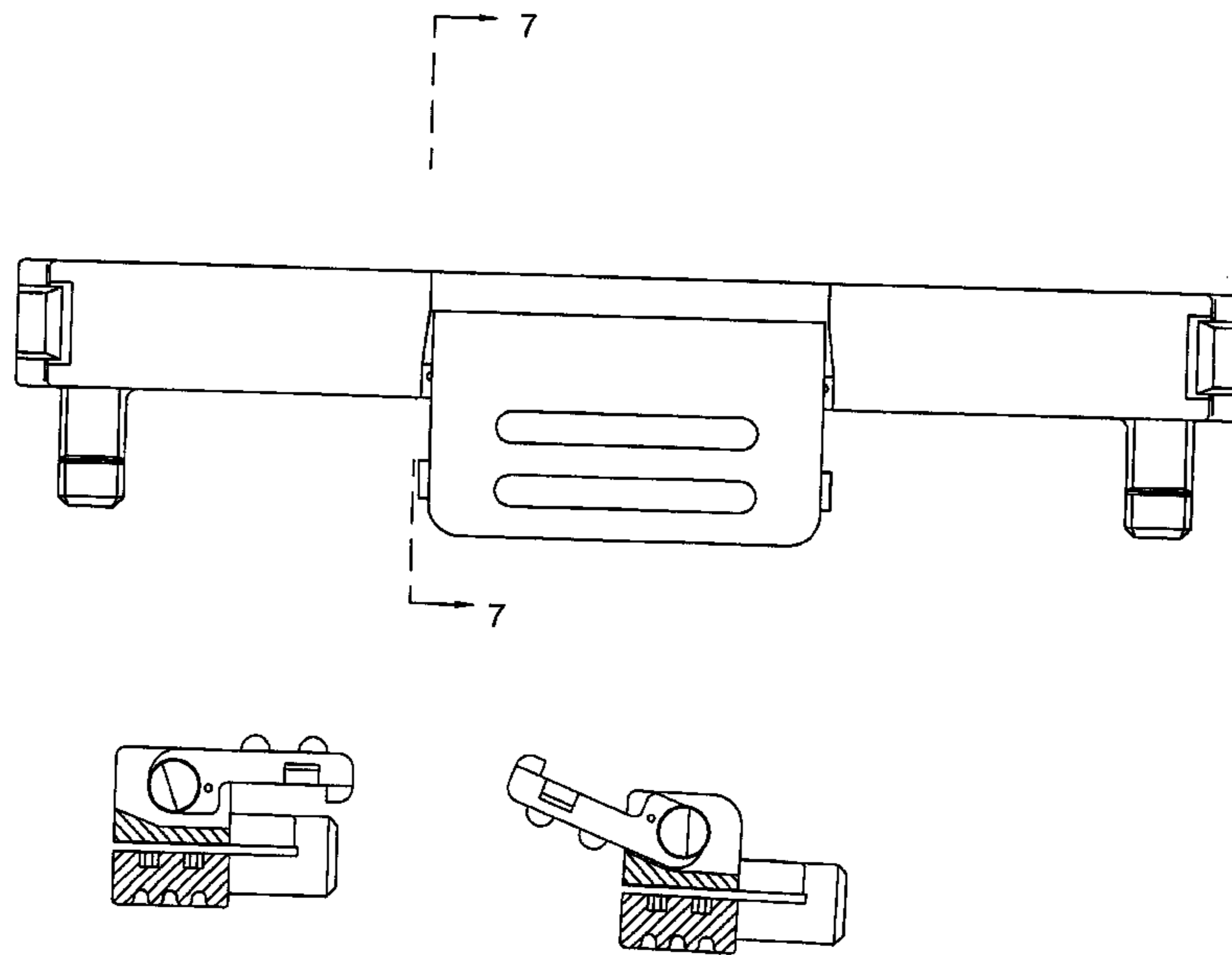
U.S. PATENT DOCUMENTS

5,580,182 A * 12/1996 Lin 403/325
D396,705 S * 8/1998 Iino D14/434
D464,320 S * 10/2002 Hisatomi et al. D13/147
D486,451 S * 2/2004 Moritake D13/147
6,767,220 B2 * 7/2004 Wilson et al. 439/67
D504,893 S * 5/2005 Araki D14/434
6,899,564 B2 * 5/2005 Lee 439/606
D506,729 S * 6/2005 Kimura et al. D13/147
2006/0084316 A1 * 4/2006 Akira et al. 439/495

FOREIGN PATENT DOCUMENTS

JP 07-037654 2/1995
JP 09-330772 12/1997
JP 11-329620 11/1999

1 Claim, 12 Drawing Sheets



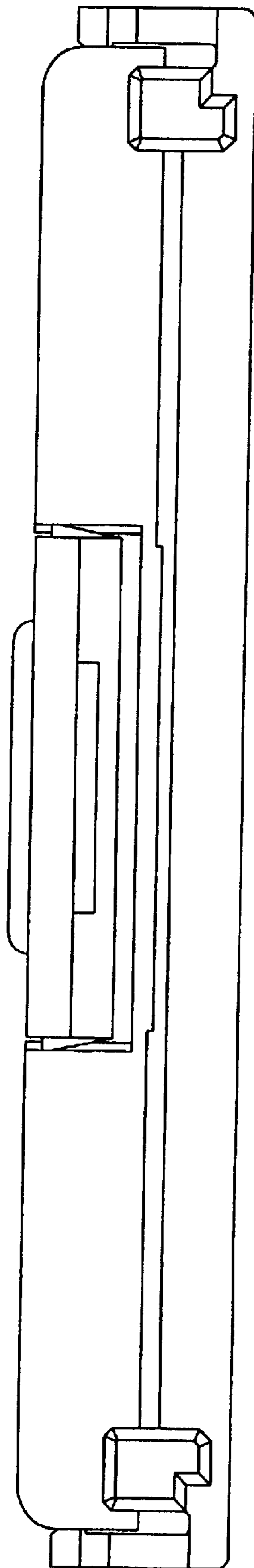


FIG. 1

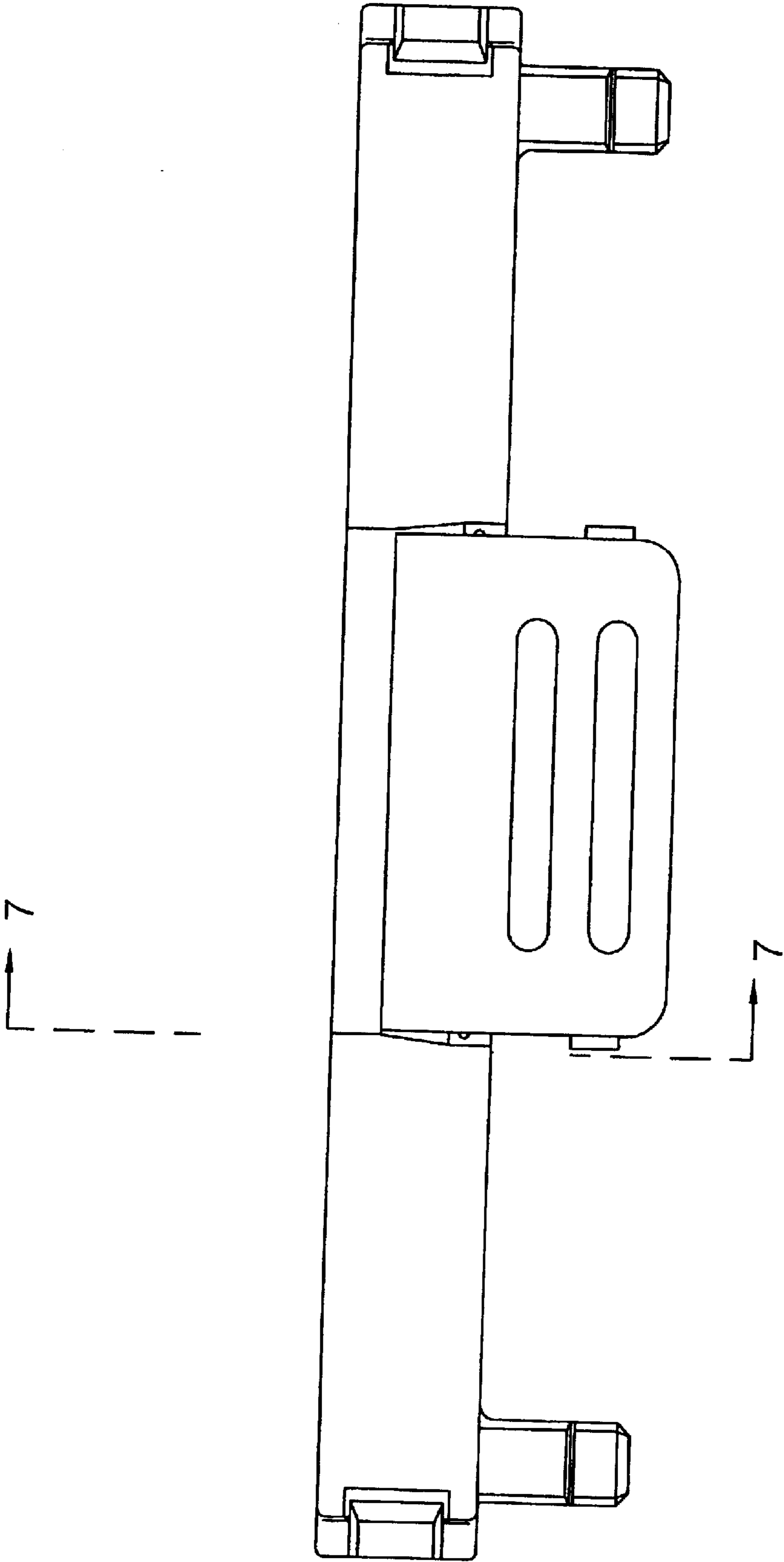


FIG. 2

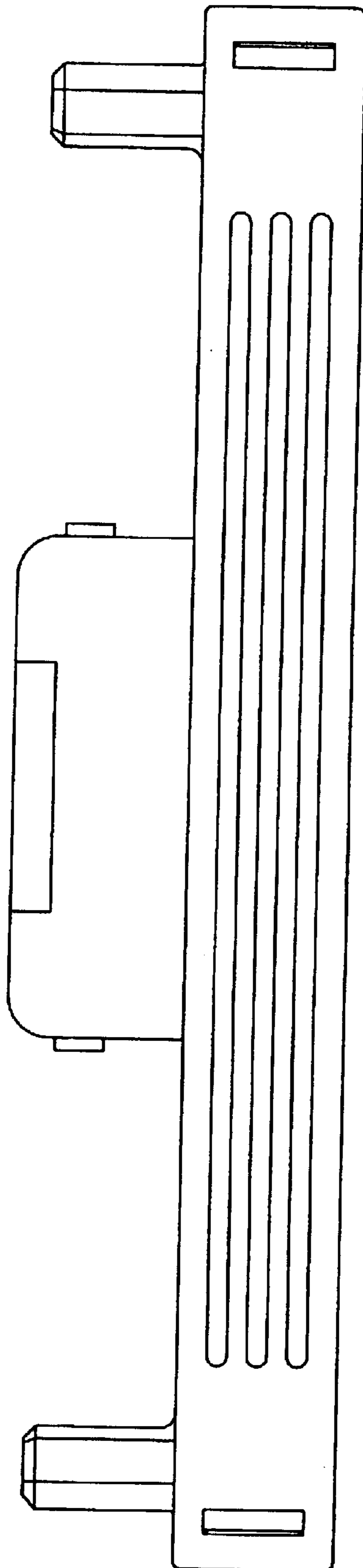


FIG. 3

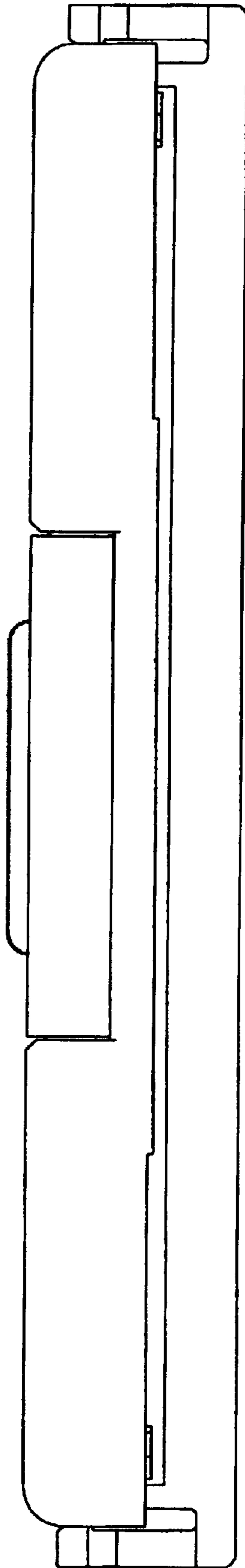


FIG. 4

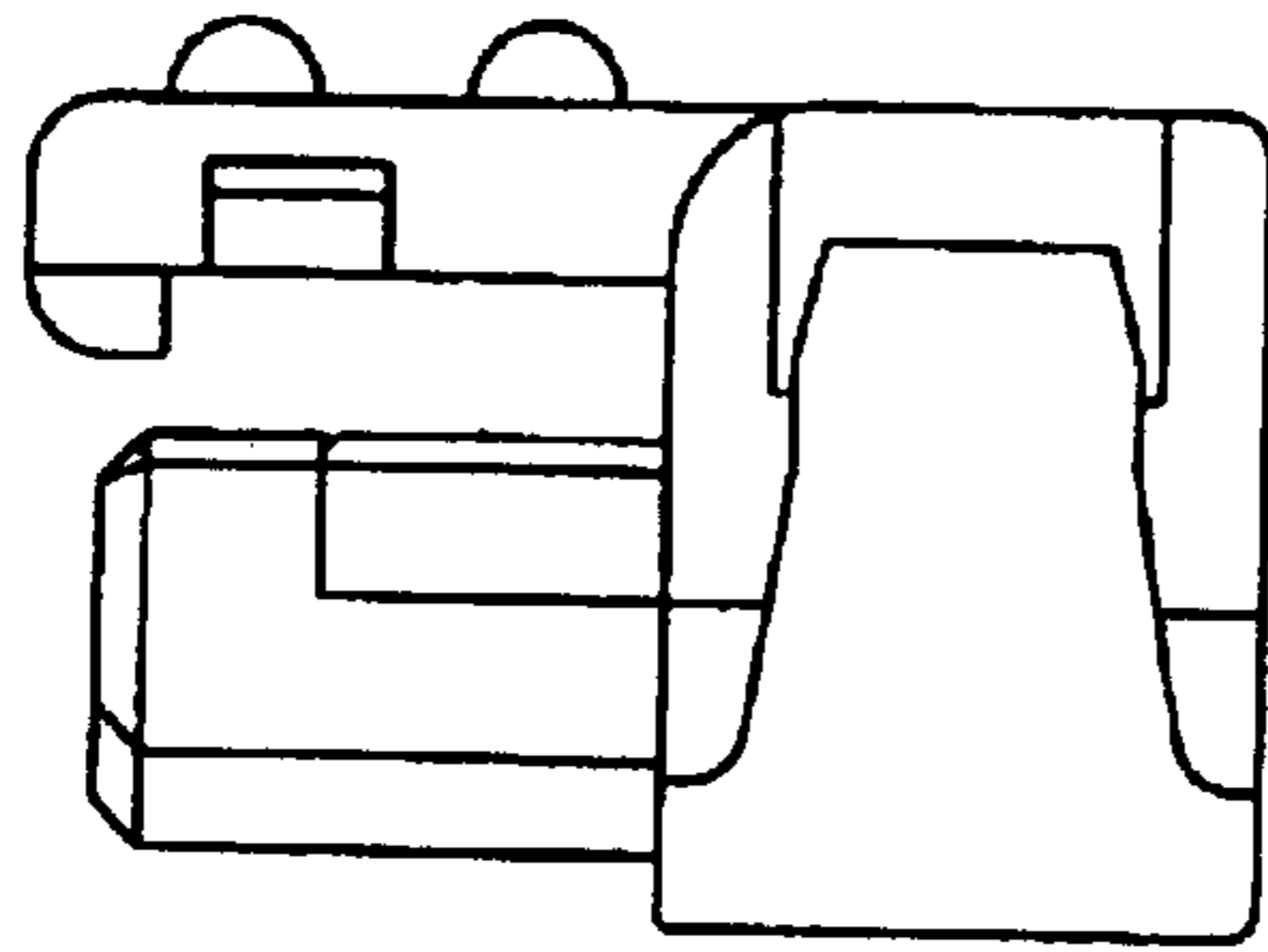


FIG. 5

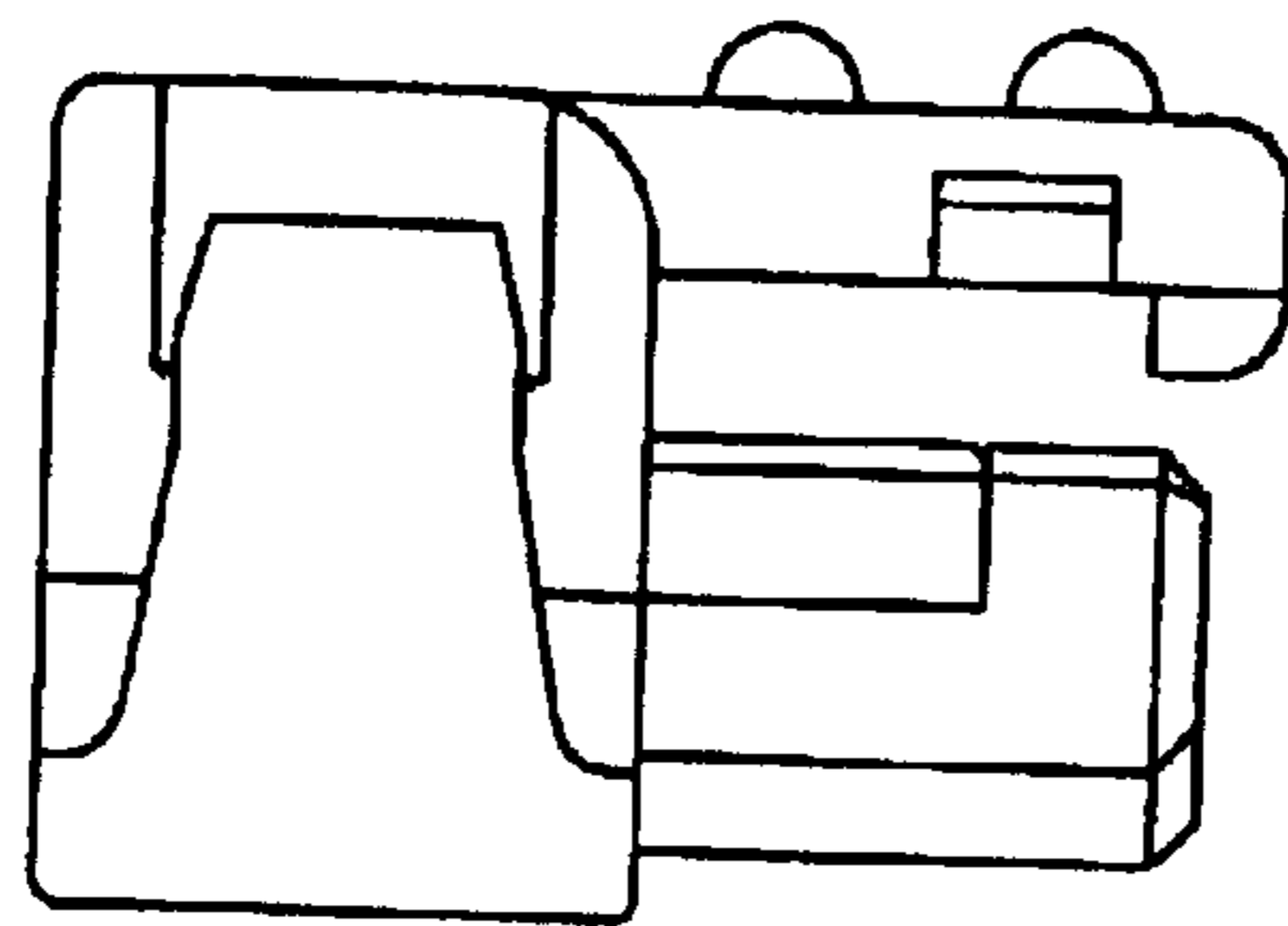


FIG. 6

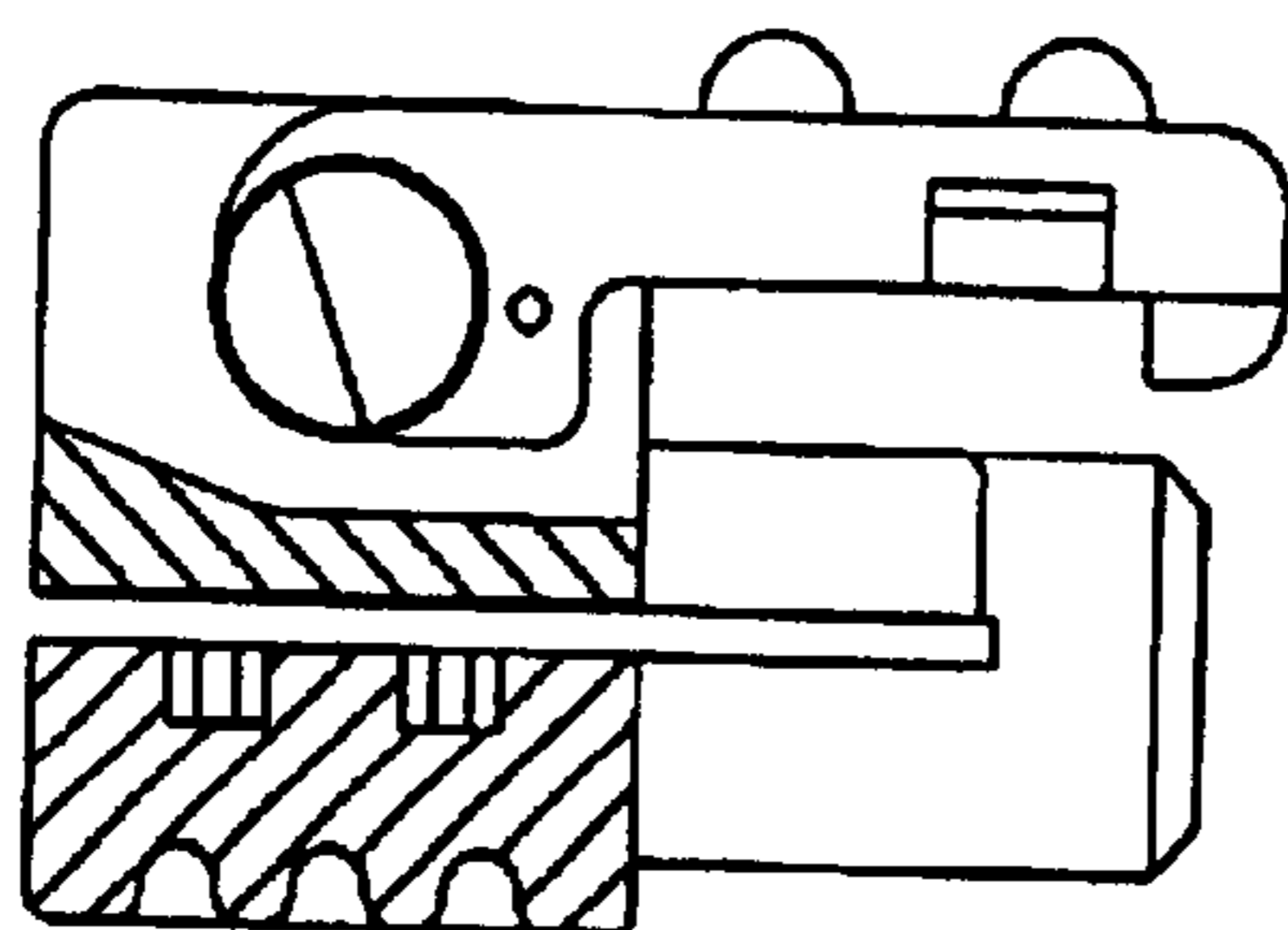


FIG. 7

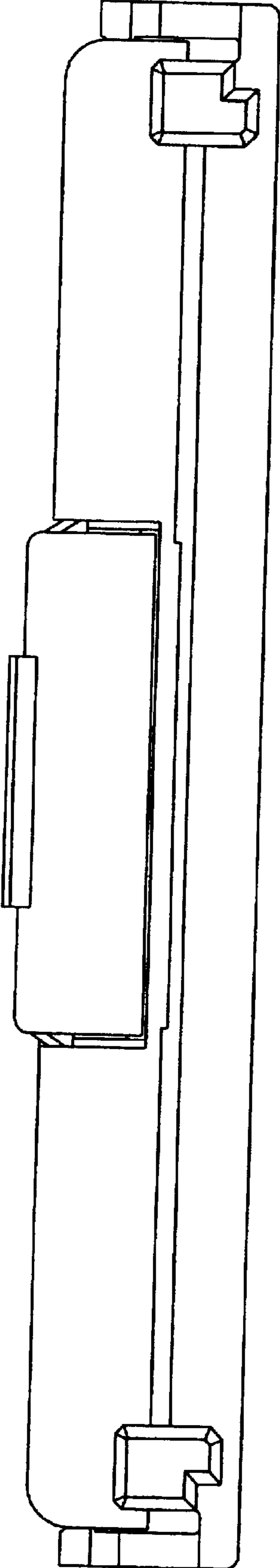


FIG. 8

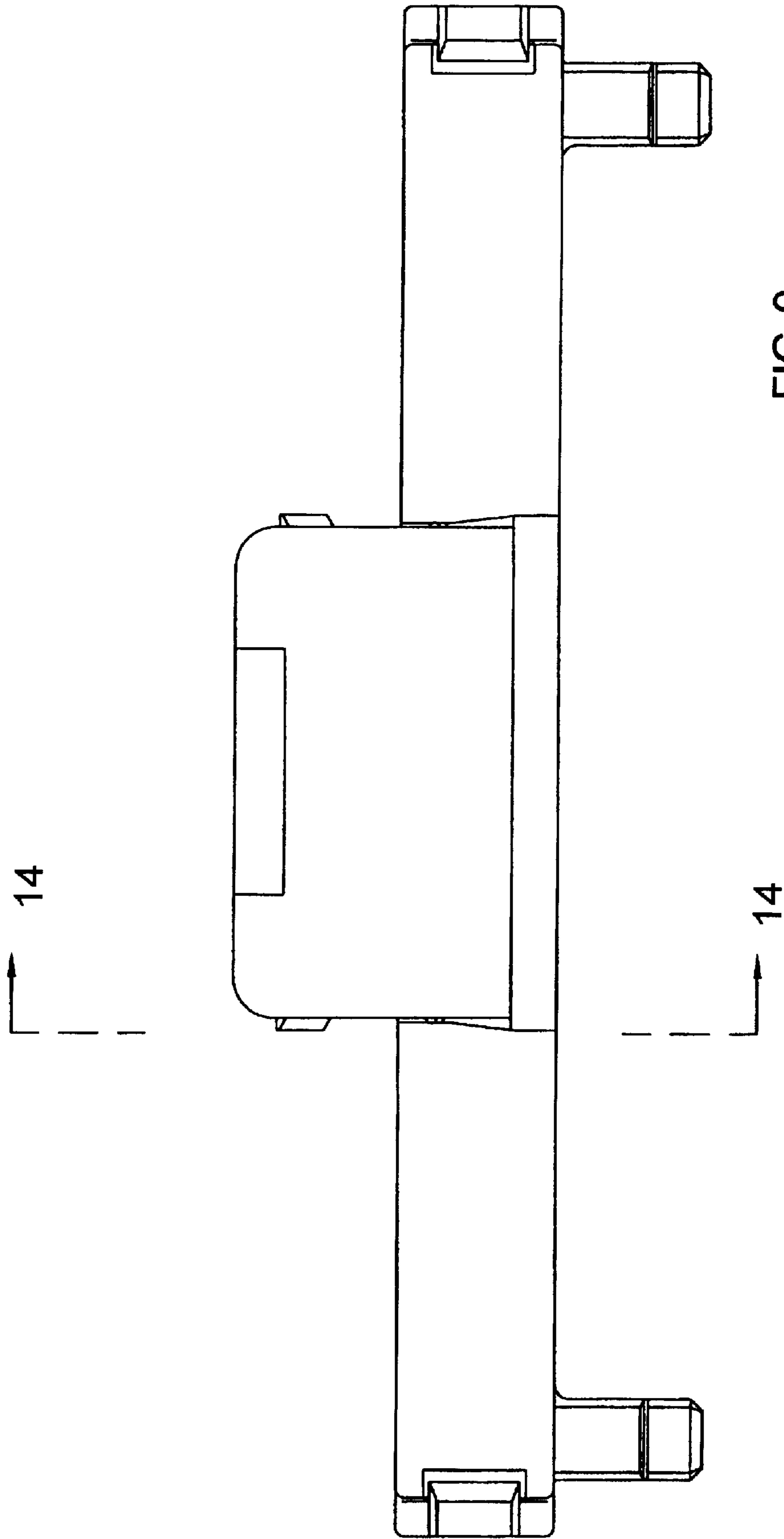


FIG. 9

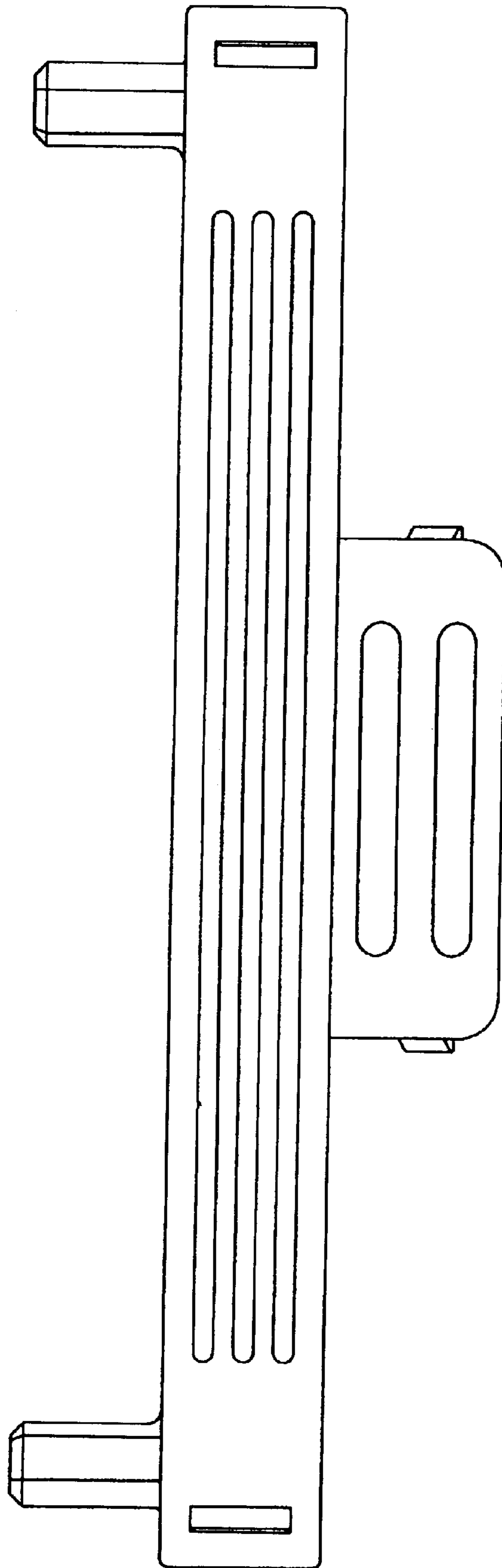


FIG. 10

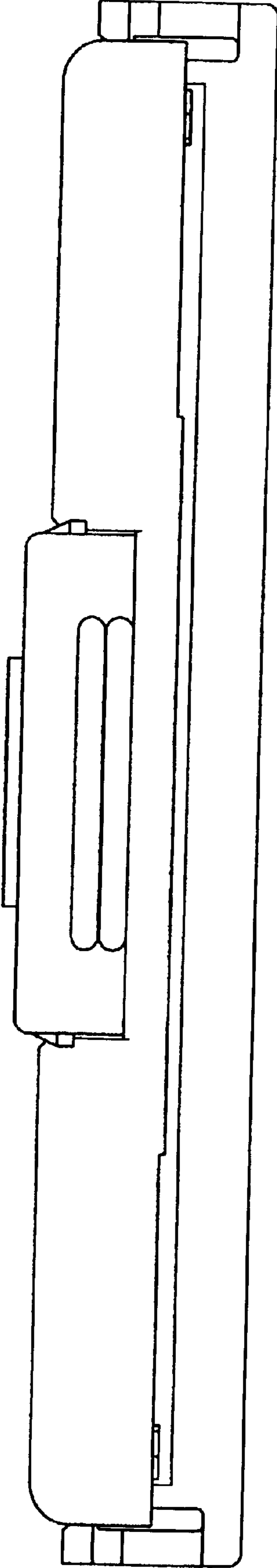


FIG. 11

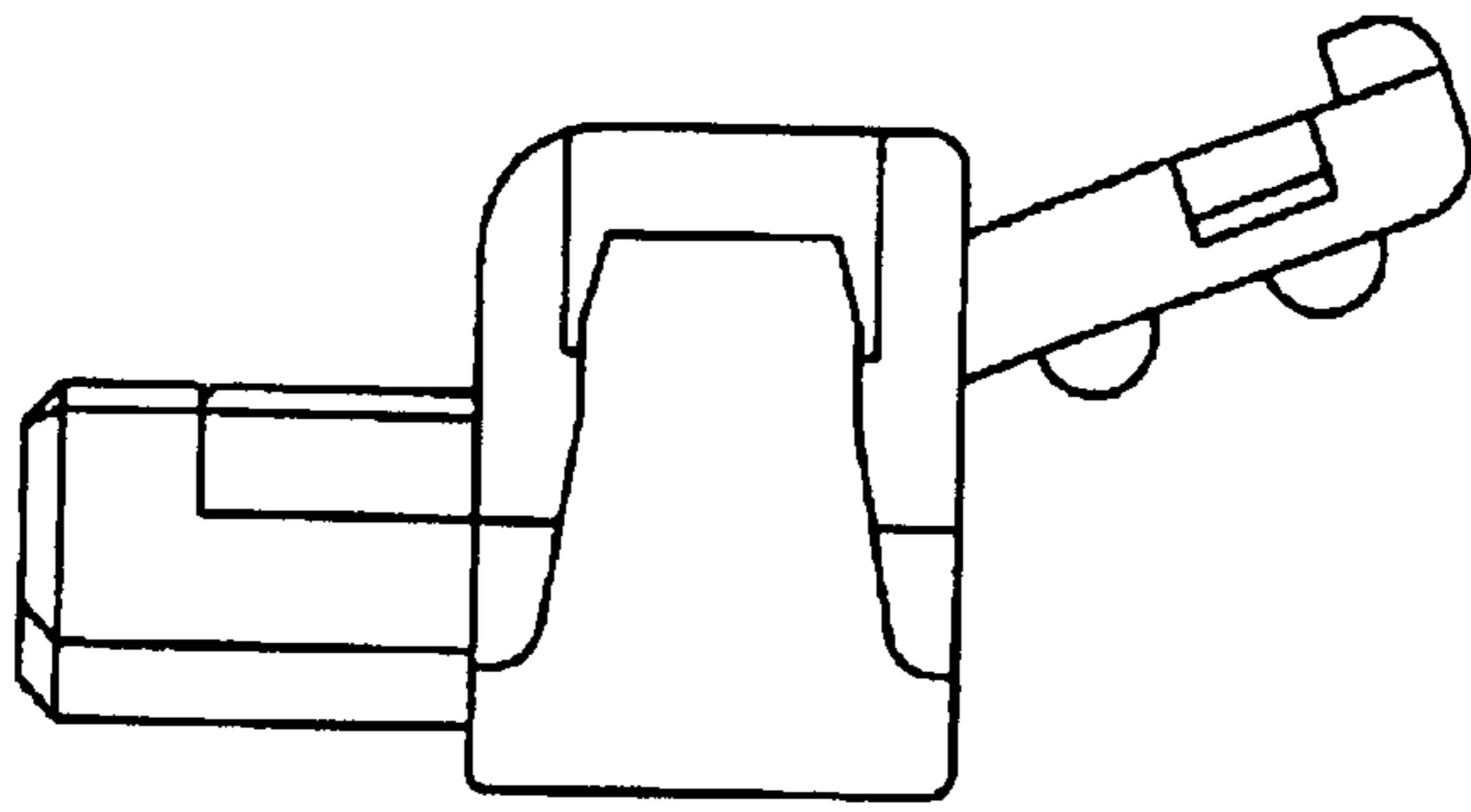


FIG. 12

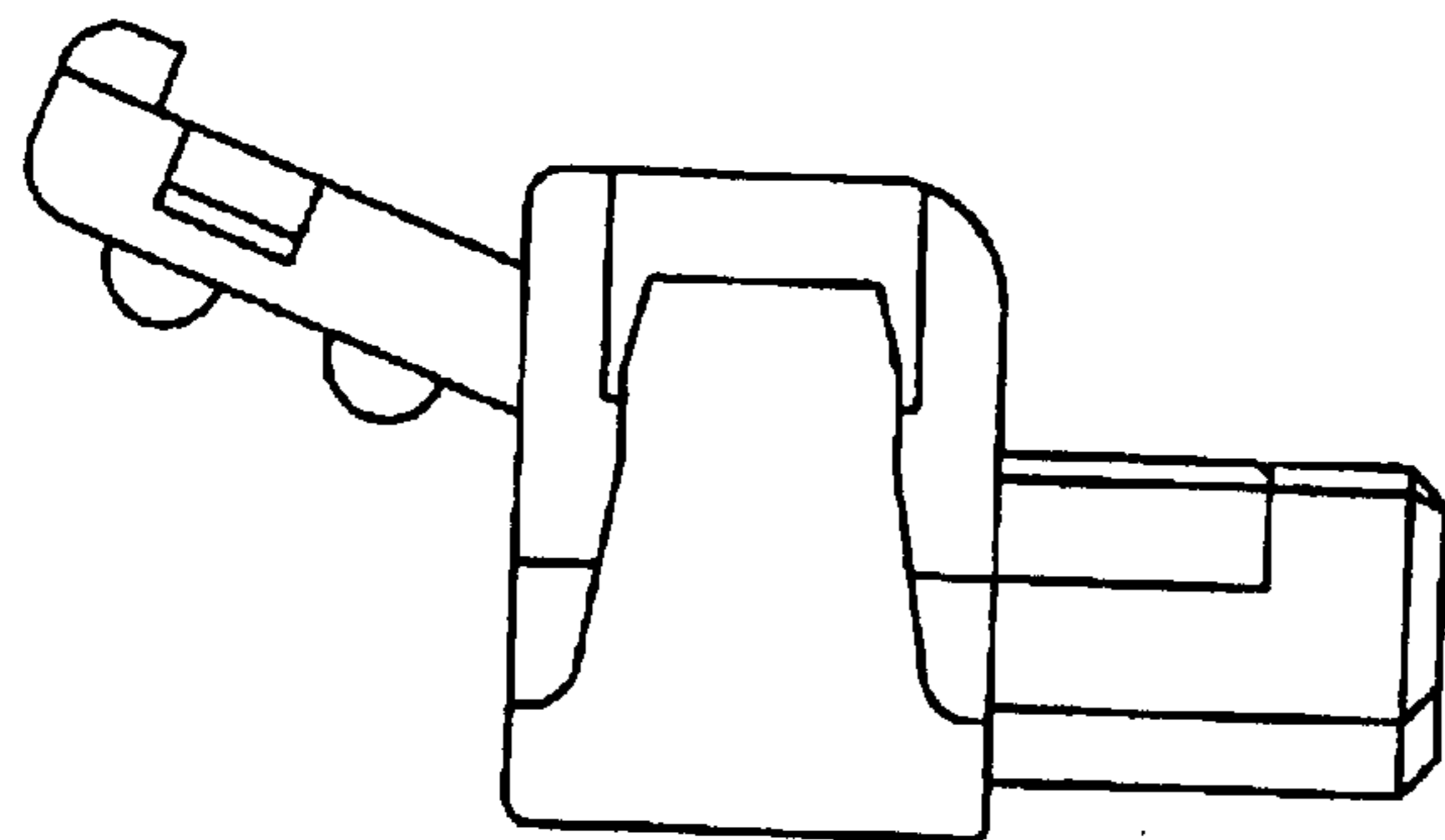


FIG. 13

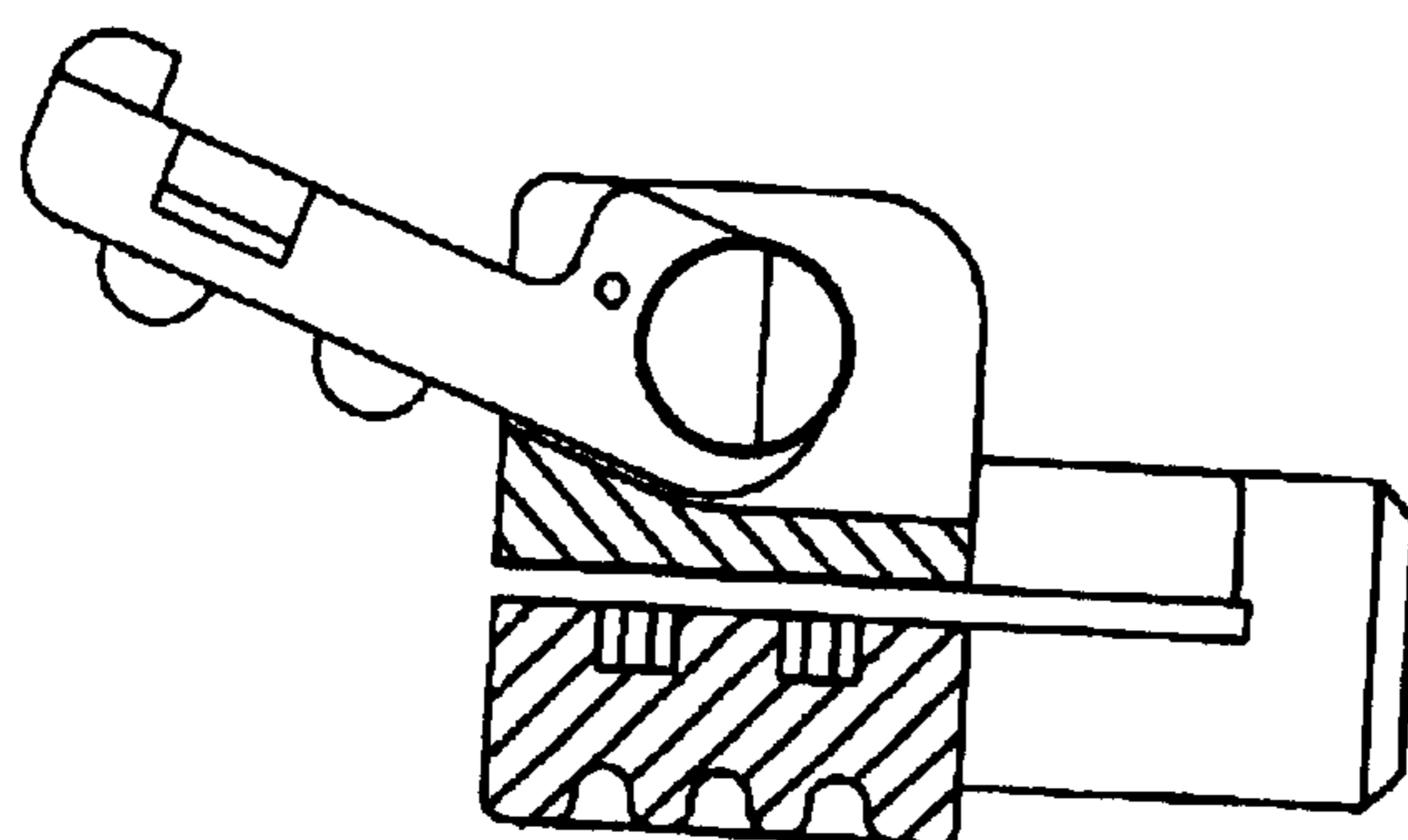


FIG. 14

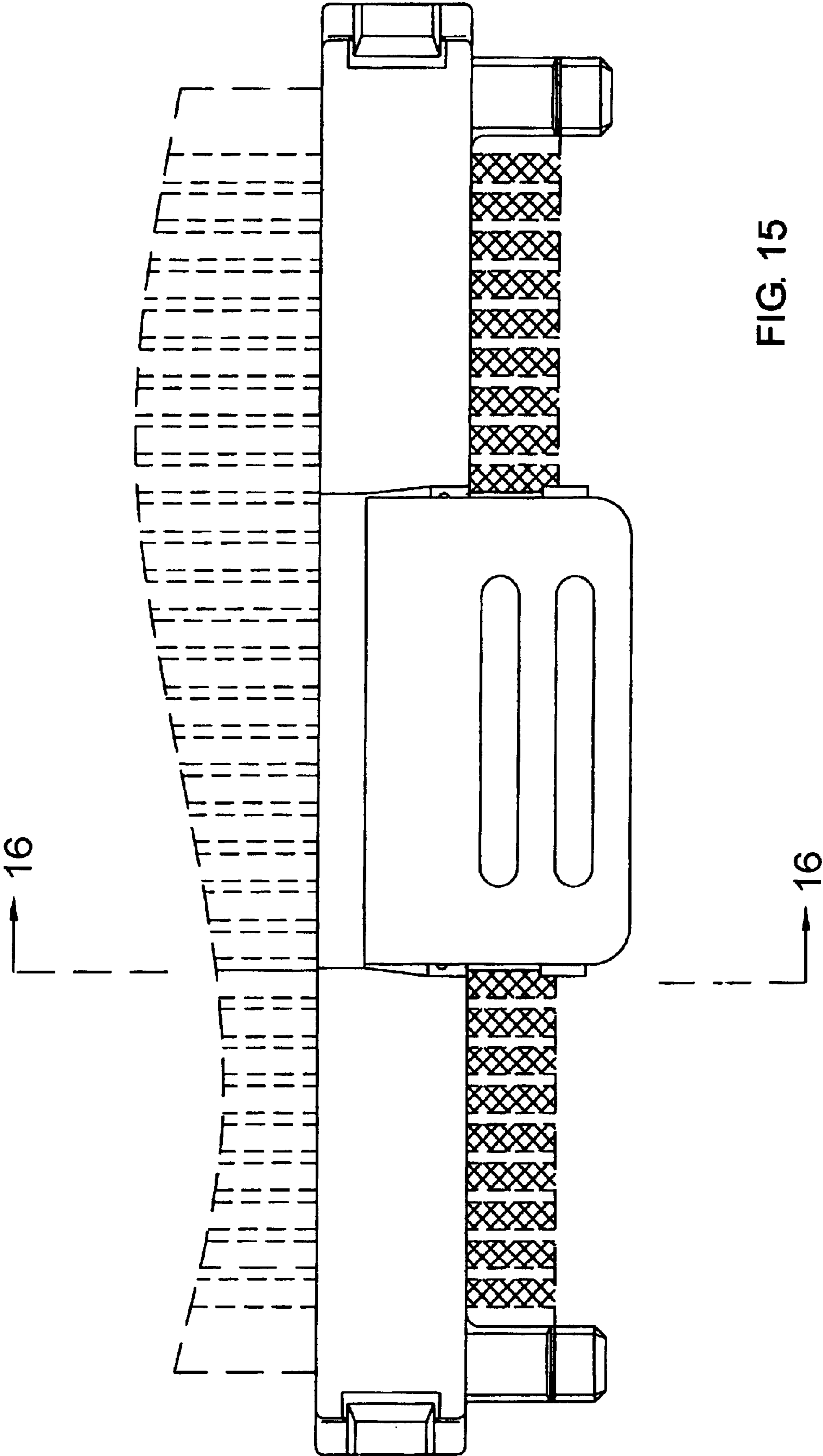


FIG. 15

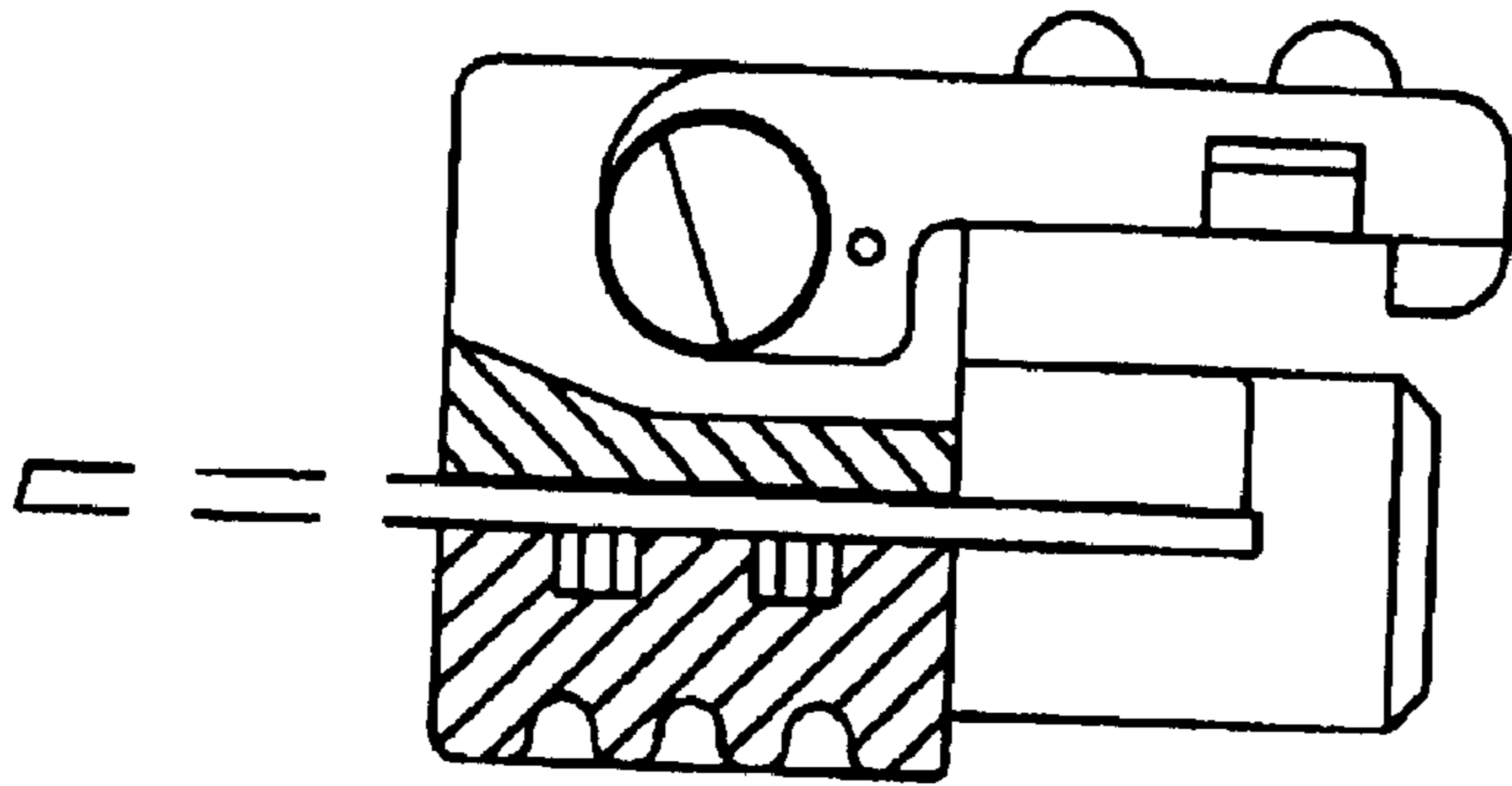


FIG. 16