



US00D538747S

(12) **United States Design Patent**
Yang

(10) **Patent No.:** **US D538,747 S**

(45) **Date of Patent:** **** Mar. 20, 2007**

(54) **ELECTRICAL CONNECTOR**

(75) Inventor: **Meng-Huan Yang**, Tu-Cheng (TW)

(73) Assignee: **Hon Hai Precision Ind. Co., Ltd.**,
Taipei Hsien (TW)

(**) Term: **14 Years**

(21) Appl. No.: **29/266,586**

(22) Filed: **Sep. 25, 2006**

(30) **Foreign Application Priority Data**

Mar. 27, 2006 (TW) 95301503

(51) **LOC (8) Cl.** **13-03**

(52) **U.S. Cl.** **D13/147**

(58) **Field of Classification Search** D13/123,
D13/133, 146-147, 154, 184; D14/432-433,
D14/435-436, 439; D16/200, 218; 439/71-73,
439/83, 638, 330-331, 607-610, 625-626,
439/629-631, 680, 876

See application file for complete search history.

(56) **References Cited**

U.S. PATENT DOCUMENTS

D493,427 S * 7/2004 Nishio et al. D13/147

D502,144 S * 2/2005 Nishio et al. D13/147

D524,246 S * 7/2006 Wang et al. D13/147
D524,749 S * 7/2006 Wang et al. D13/147
7,077,680 B1 * 7/2006 Wang et al. 439/331
7,112,083 B2 * 9/2006 Nishio et al. 439/331
2005/0239302 A1 * 10/2005 Wada 439/71

* cited by examiner

Primary Examiner—Daniel Bui

(74) *Attorney, Agent, or Firm*—Wei Te Chung

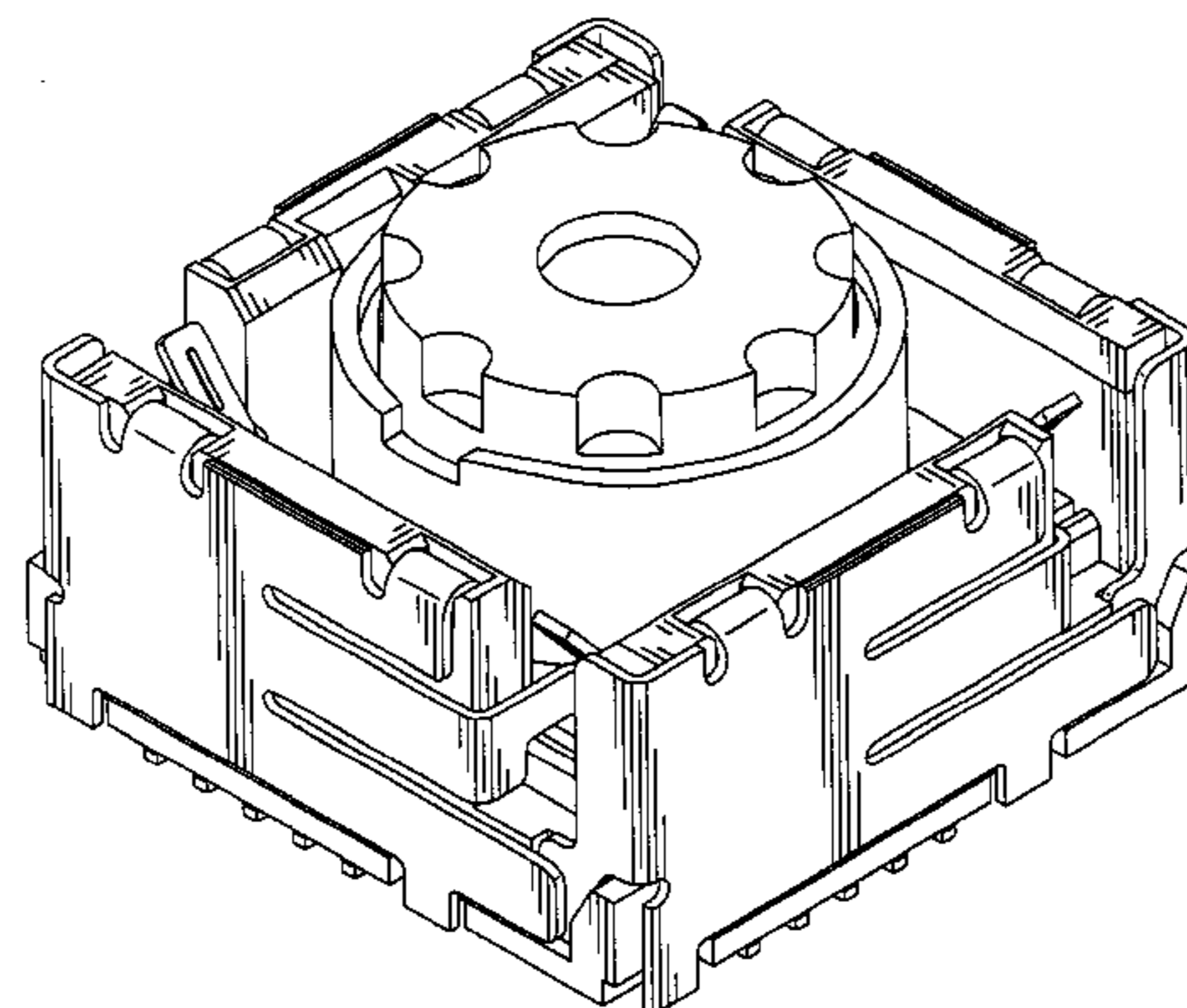
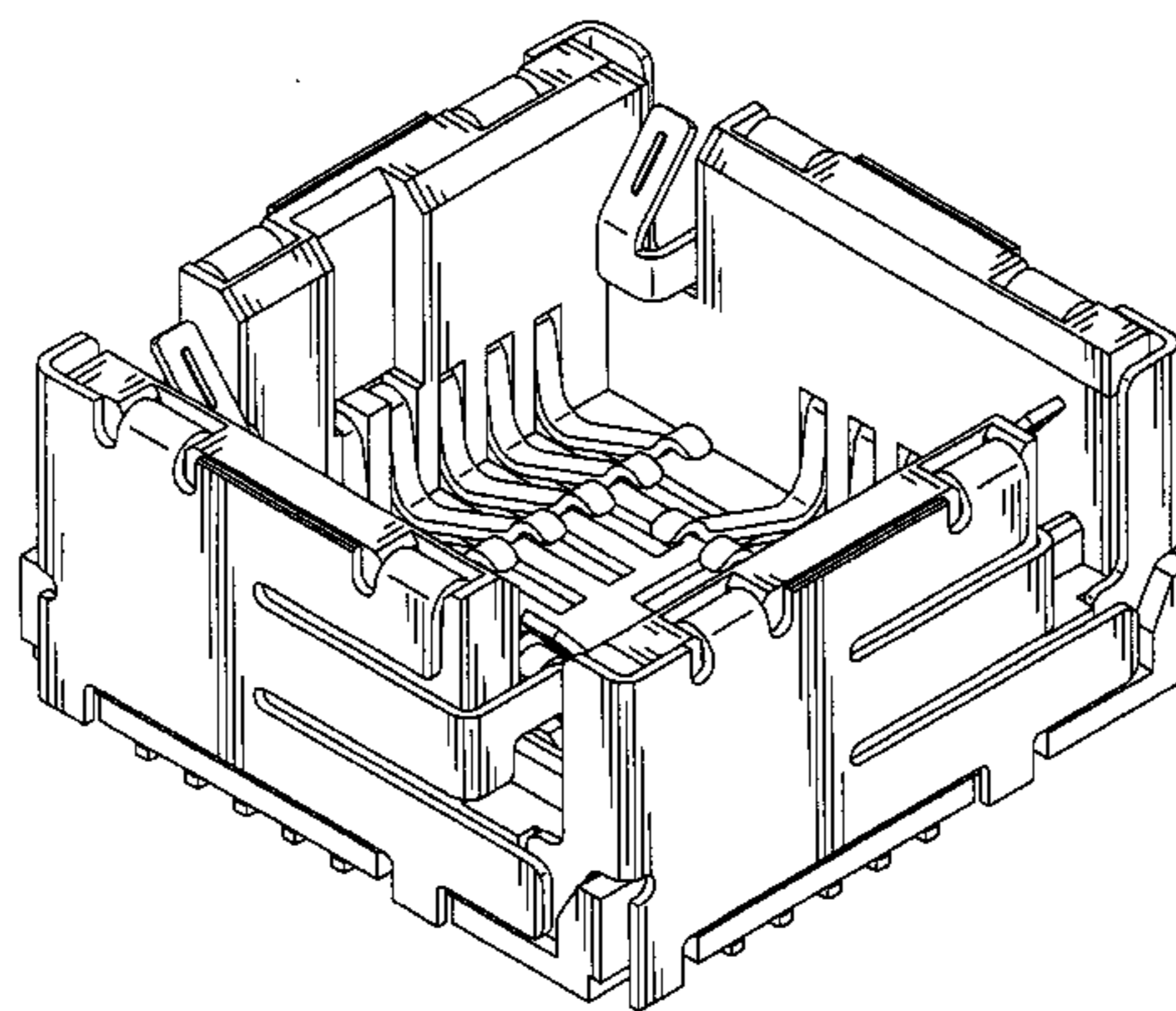
(57) **CLAIM**

The ornamental design for an electrical connector, as shown and described.

DESCRIPTION

FIG. 1 is a front, top and right side perspective view of an electrical connector showing my new design;
FIG. 2 is a front elevation view thereof;
FIG. 3 is a rear elevation view thereof;
FIG. 4 is a left side elevation view thereof;
FIG. 5 is a right side elevation view thereof;
FIG. 6 is a top plan view thereof;
FIG. 7 is a bottom plan view thereof; and,
FIG. 8 is a front, top and right side perspective view thereof, in use condition. The broken line showing of the environment is for illustrative purpose only and forms no part of the claimed design.

1 Claim, 8 Drawing Sheets



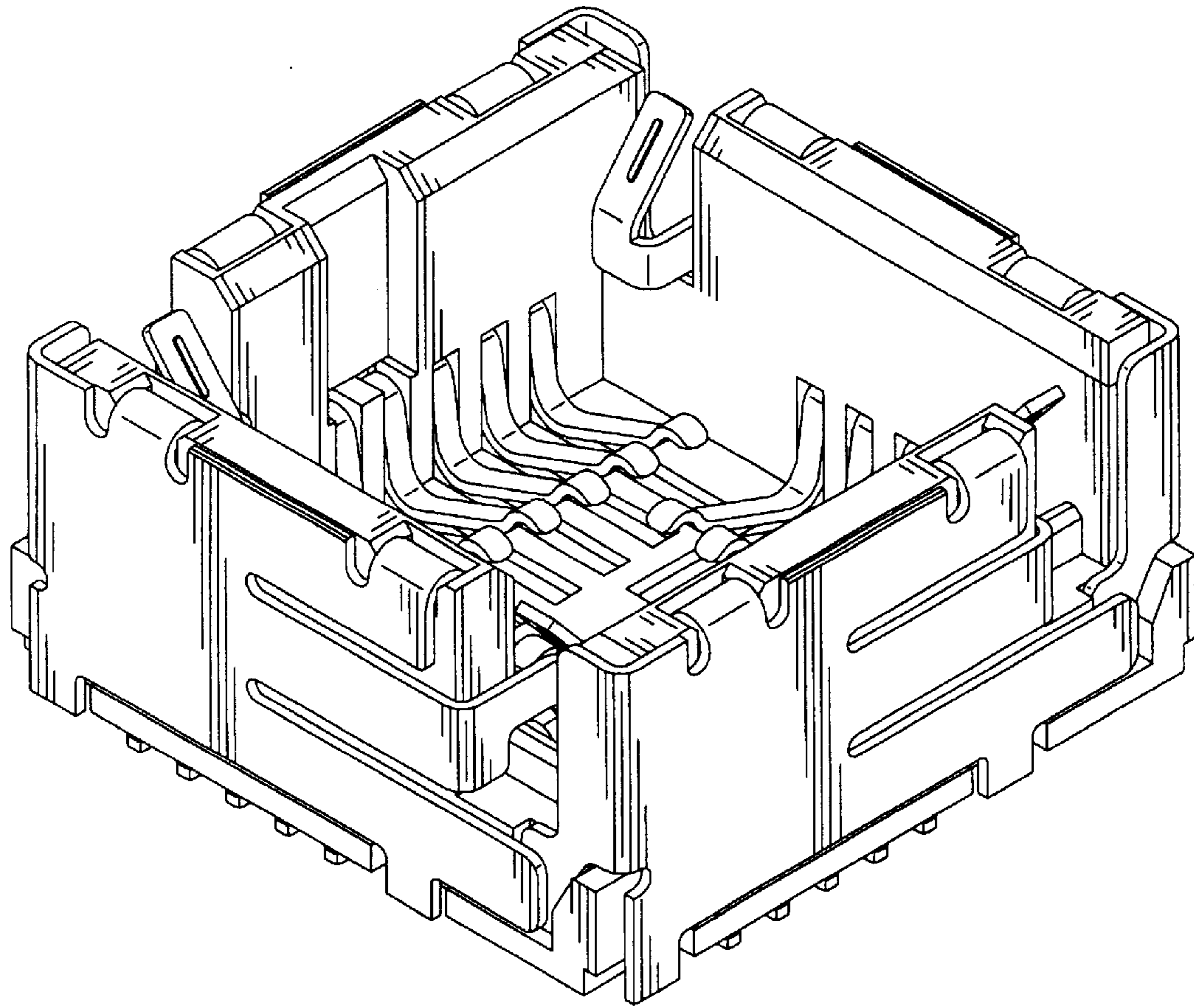


FIG. 1

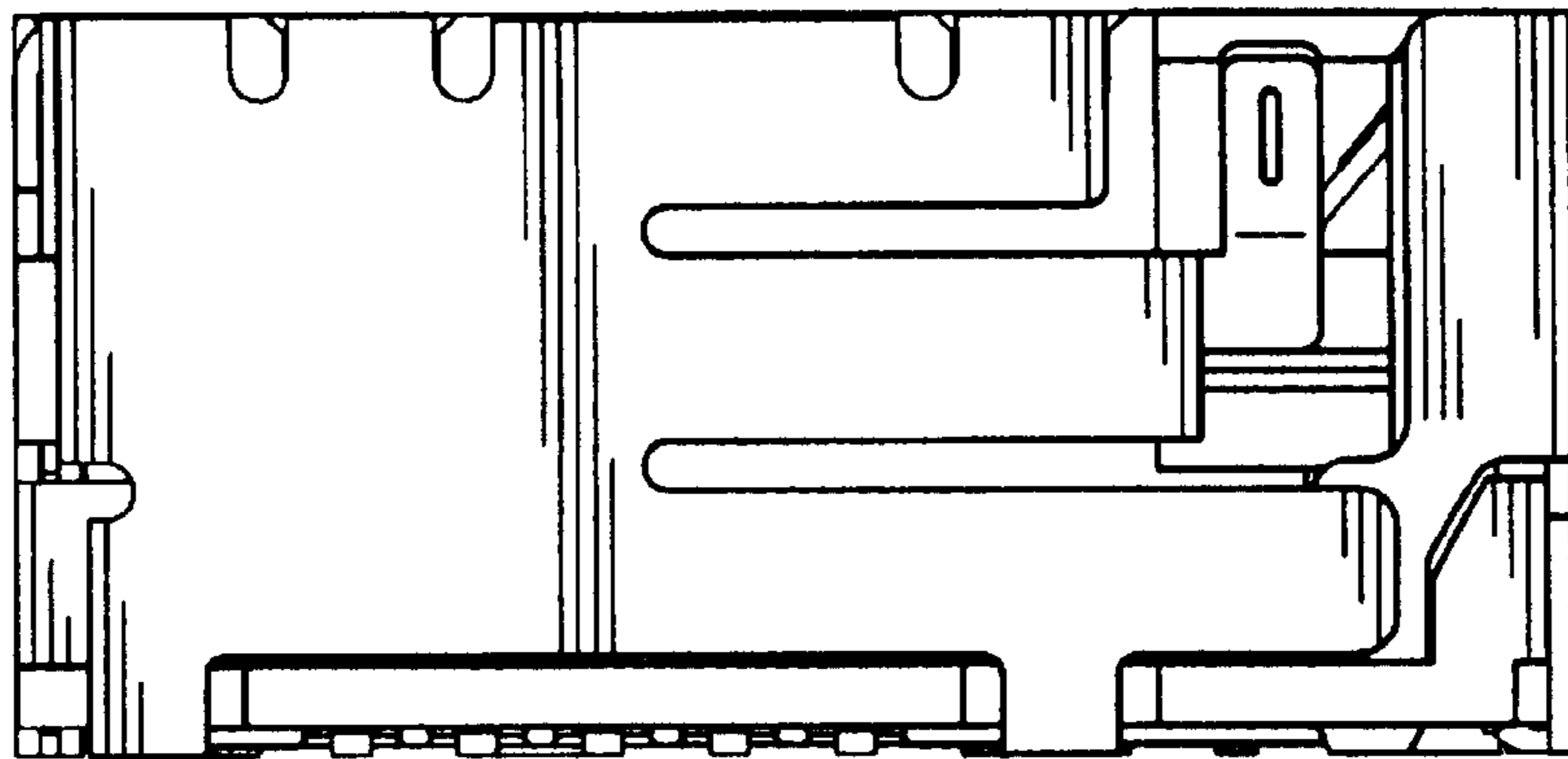


FIG. 2

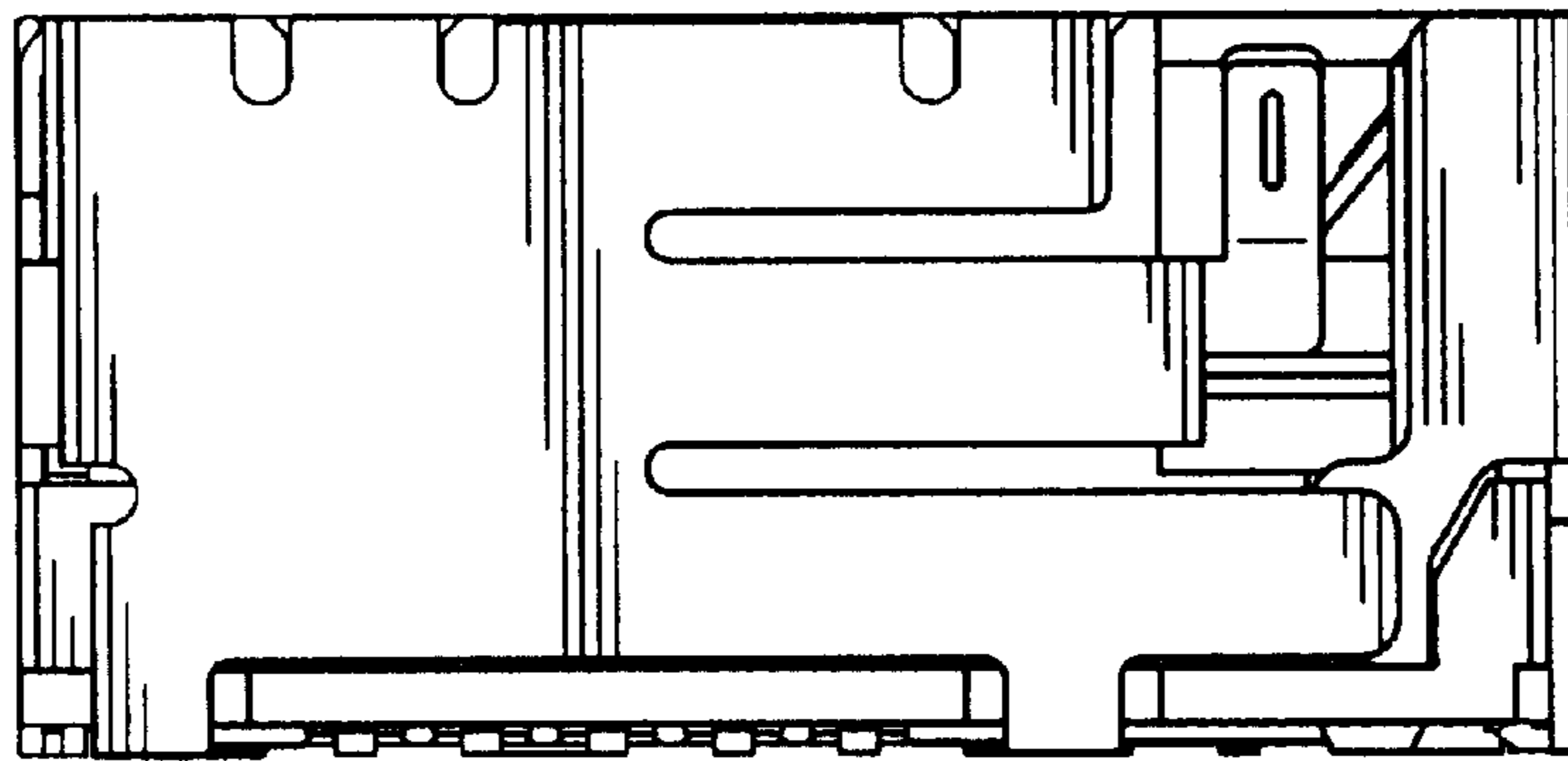


FIG. 3

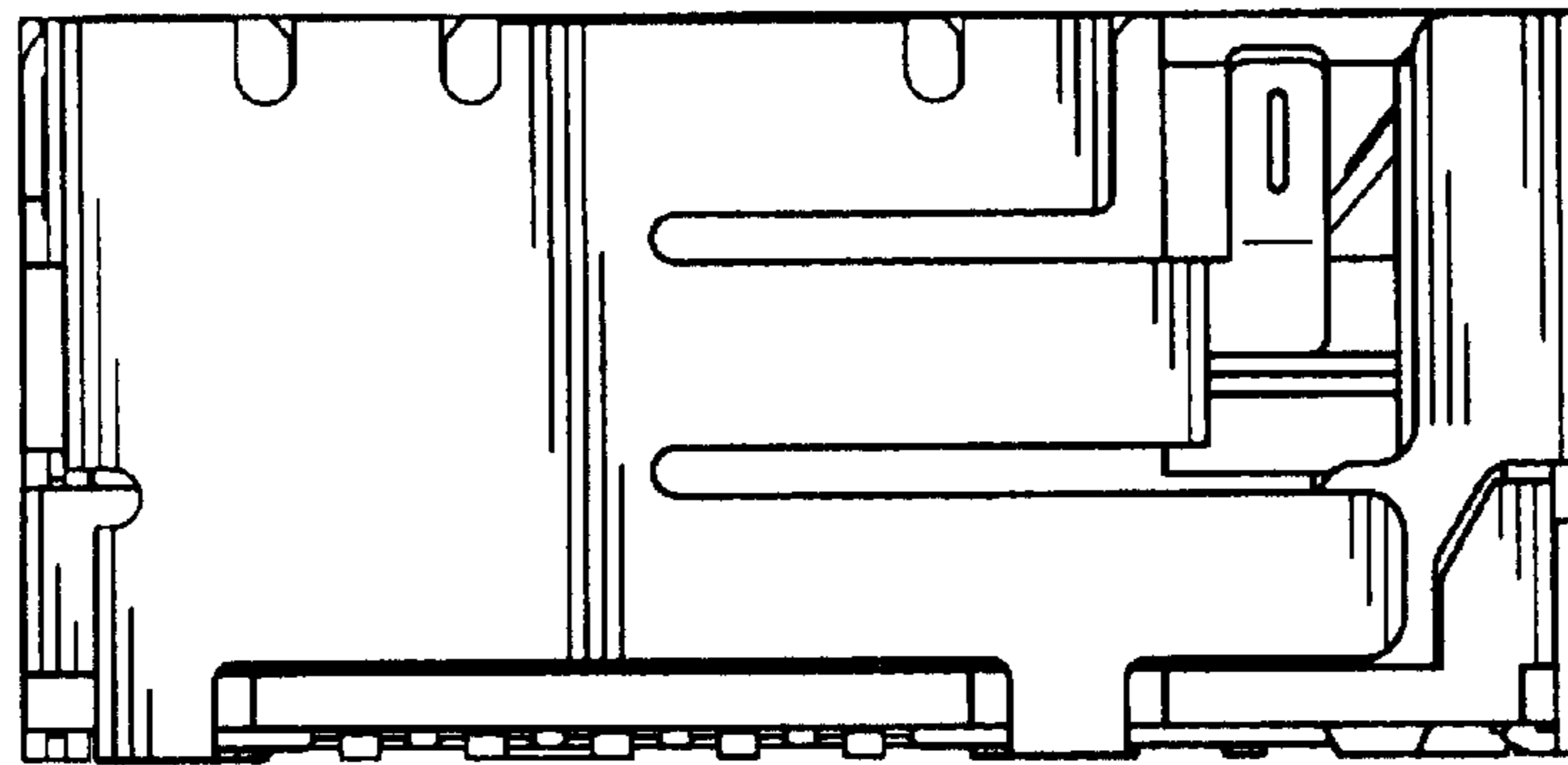


FIG. 4

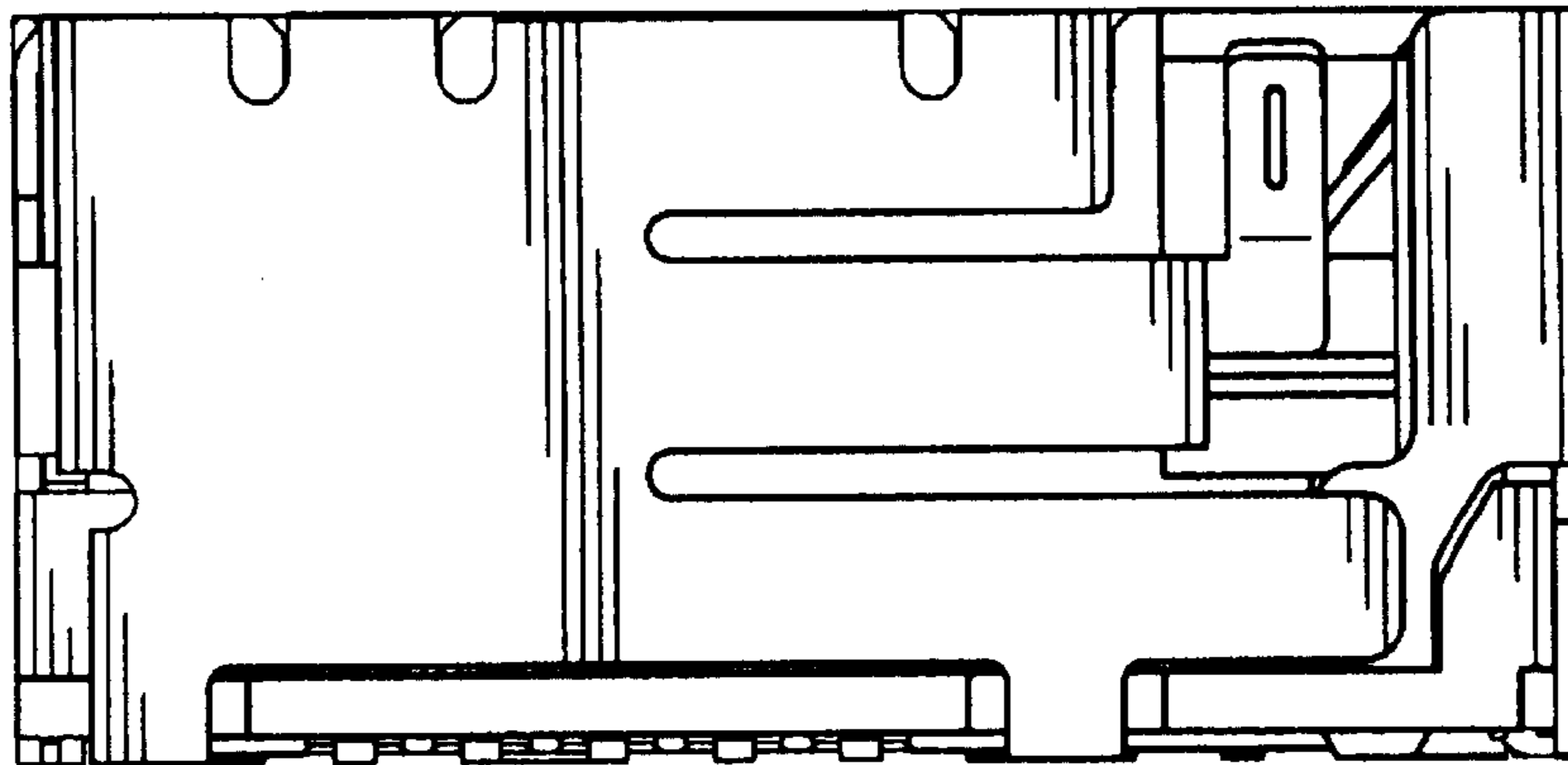


FIG. 5

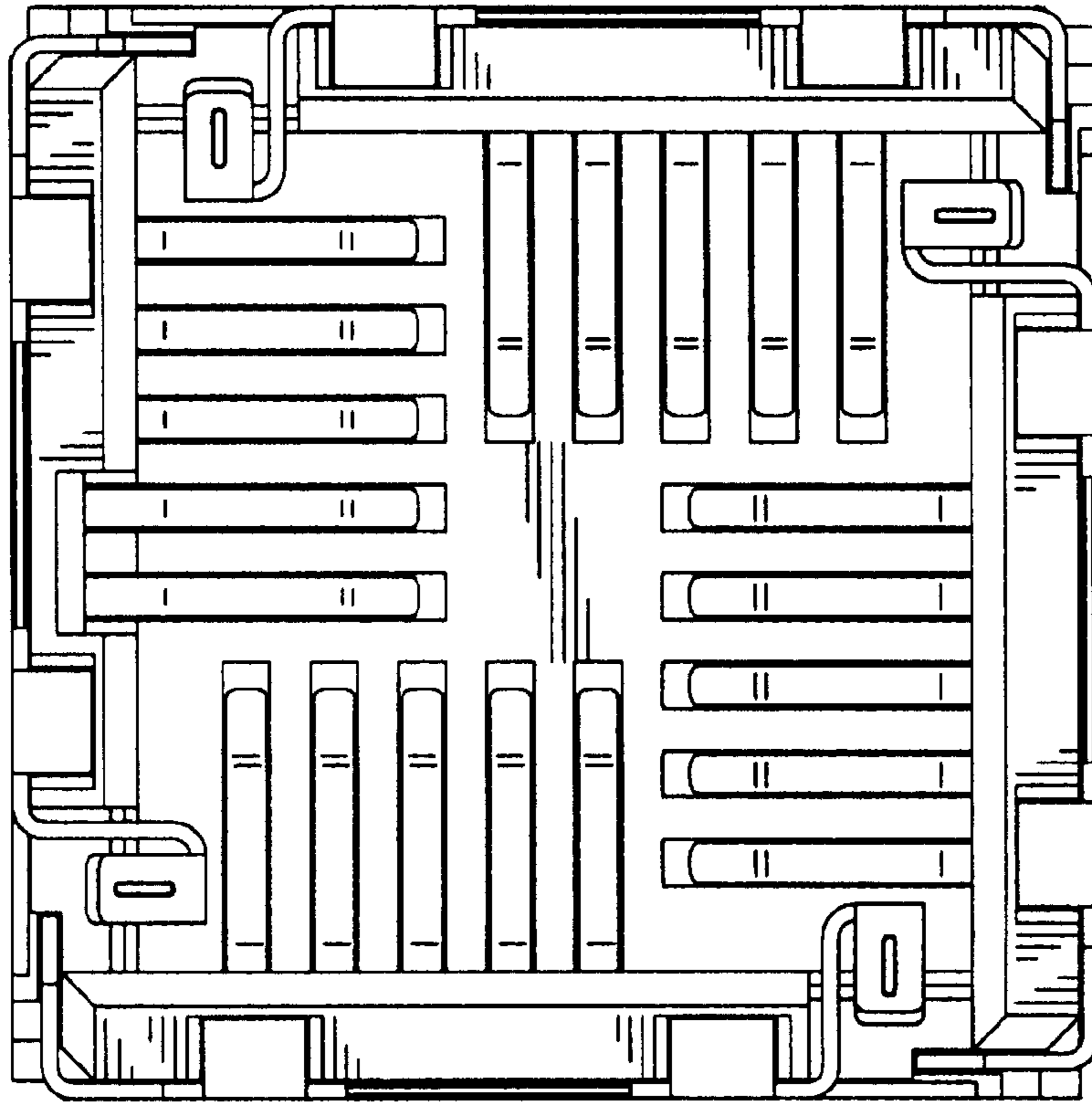


FIG. 6

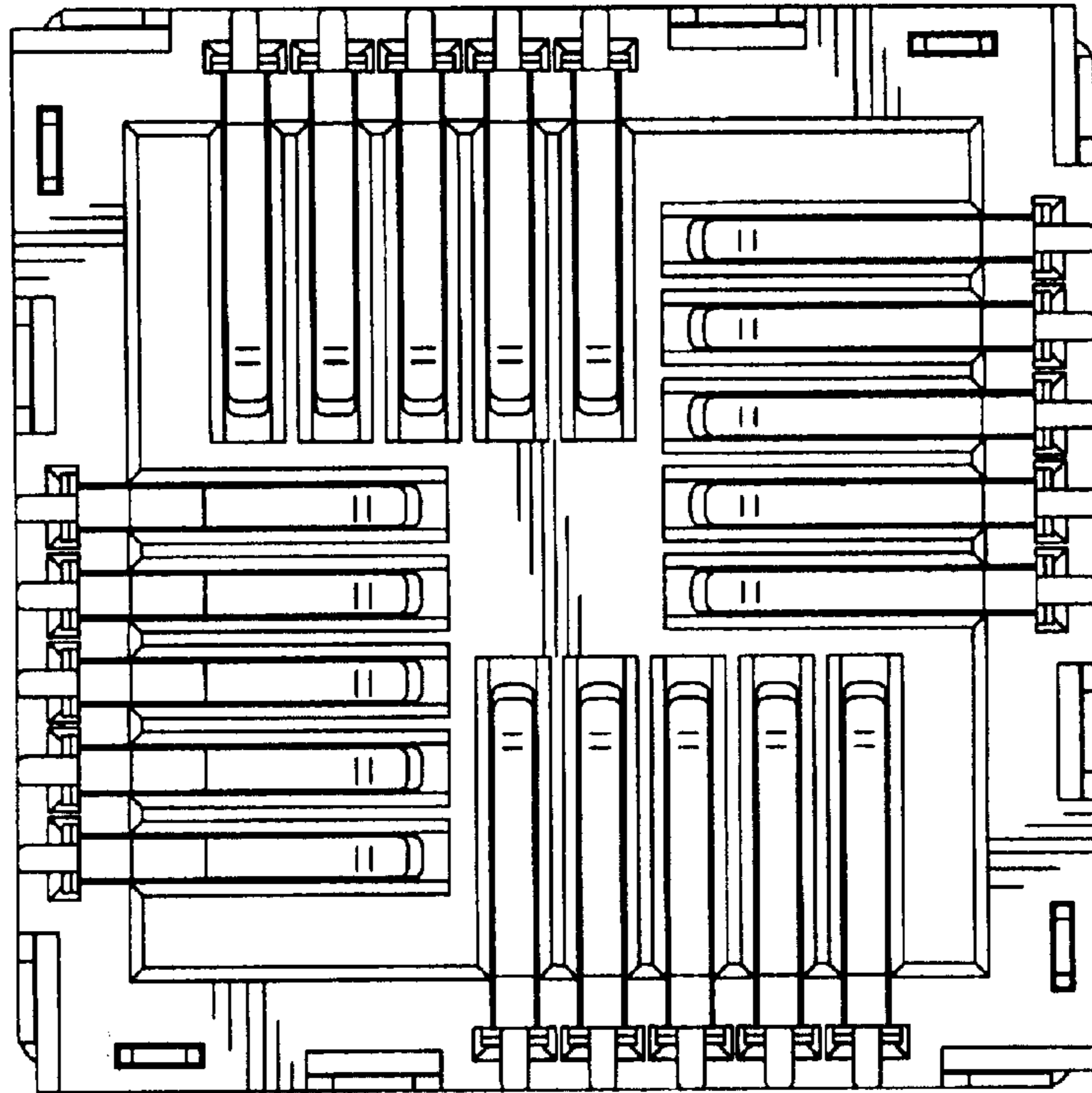


FIG. 7

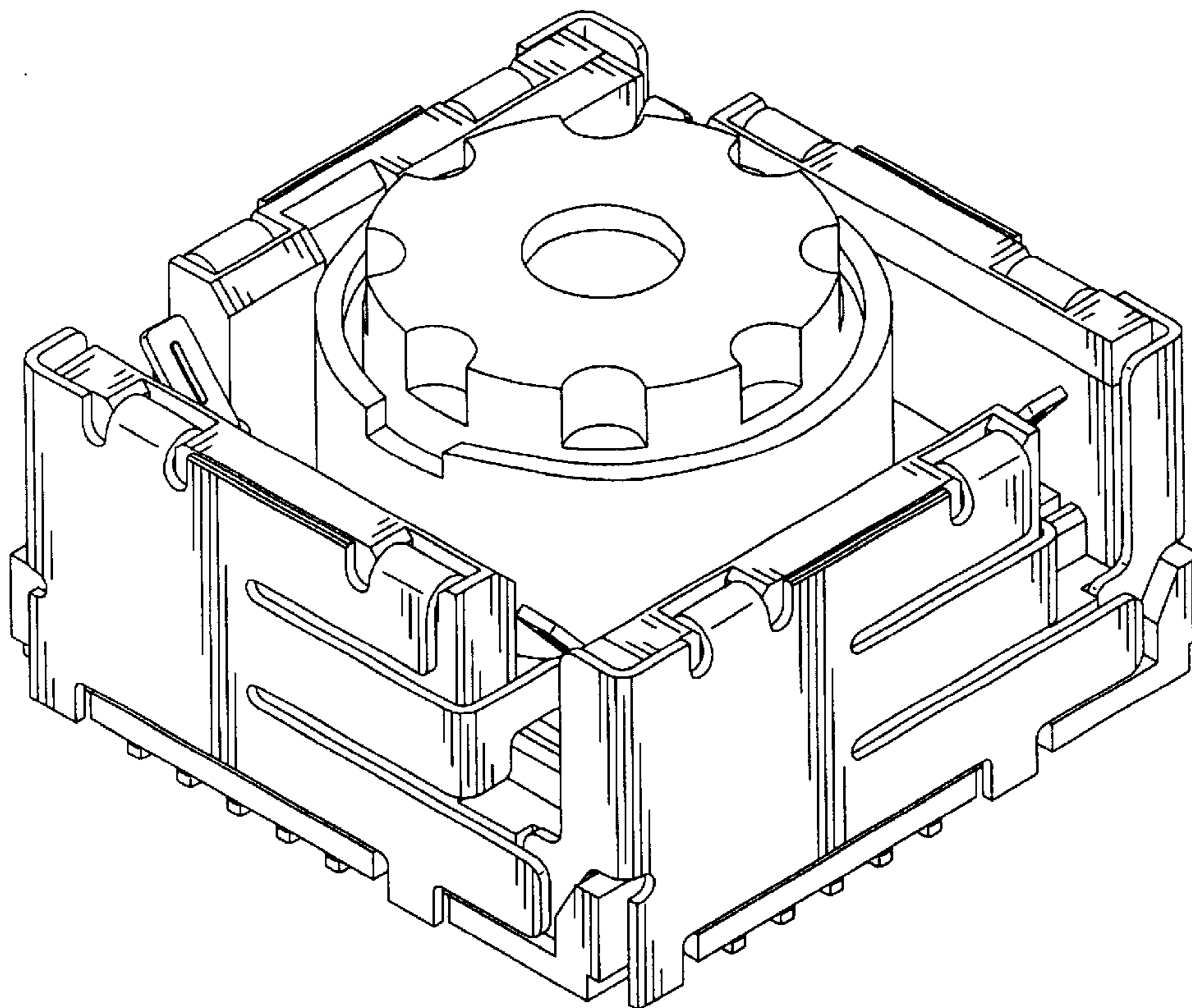


FIG. 8