

US00D538746S

(12) **United States Design Patent**  
**Young**

(10) **Patent No.:** **US D538,746 S**

(45) **Date of Patent:** **\*\* Mar. 20, 2007**

(54) **PLUG TERMINATION HANDLES**

(76) Inventor: **Norman A. Young**, Box 102, Woking,  
Alberta (CA), T0H 3V0

(\*\*) Term: **14 Years**

(21) Appl. No.: **29/230,920**

(22) Filed: **May 31, 2005**

(51) **LOC (8) Cl.** ..... **13-03**

(52) **U.S. Cl.** ..... **D13/138.2**

(58) **Field of Classification Search** .. D13/137.1-137.4,  
D13/138.1, 138.2, 133, 154; 439/171-172,  
439/140, 160, 164, 135-138, 446, 131, 606,  
439/105, 106, 11, 13, 31; 337/197-198; 174/53-58  
See application file for complete search history.

(56) **References Cited**

**U.S. PATENT DOCUMENTS**

D148,105 S	*	12/1947	Gossard	.....	D13/138.1
D164,338 S	*	8/1951	Tyler	.....	D13/137.2
D194,105 S	*	11/1962	More	.....	D13/137.2
D242,464 S	*	11/1976	Acosta	.....	D13/138.1
D251,293 S	*	3/1979	Trueblood	.....	D13/137.2
D276,225 S	*	11/1984	Powel	.....	D13/137.2
D355,162 S	*	2/1995	Karman	.....	D13/137.1
5,409,397 A	*	4/1995	Karman	.....	439/484
D413,570 S	*	9/1999	Intveld	.....	D13/137.1

D415,105 S	*	10/1999	Lee	.....	D13/139.1
D436,079 S	*	1/2001	Intveld	.....	D13/137.1
6,863,574 B1	*	3/2005	Bosch	.....	439/651
D508,461 S	*	8/2005	Hedrick	.....	D13/138.1

\* cited by examiner

*Primary Examiner*—Alan P. Douglas

*Assistant Examiner*—Rosemary K. Tarcza

(74) *Attorney, Agent, or Firm*—Sean W. Goodwin; Linda M. Thompson

(57) **CLAIM**

The ornamental design for plug termination handles, as shown and described.

**DESCRIPTION**

FIG. 1 is a perspective view showing a plug termination handle;

FIG. 2 is a front view according to FIG. 1;

FIG. 3 is a back view according to FIG. 1;

FIG. 4 is a left side view according to FIG. 1;

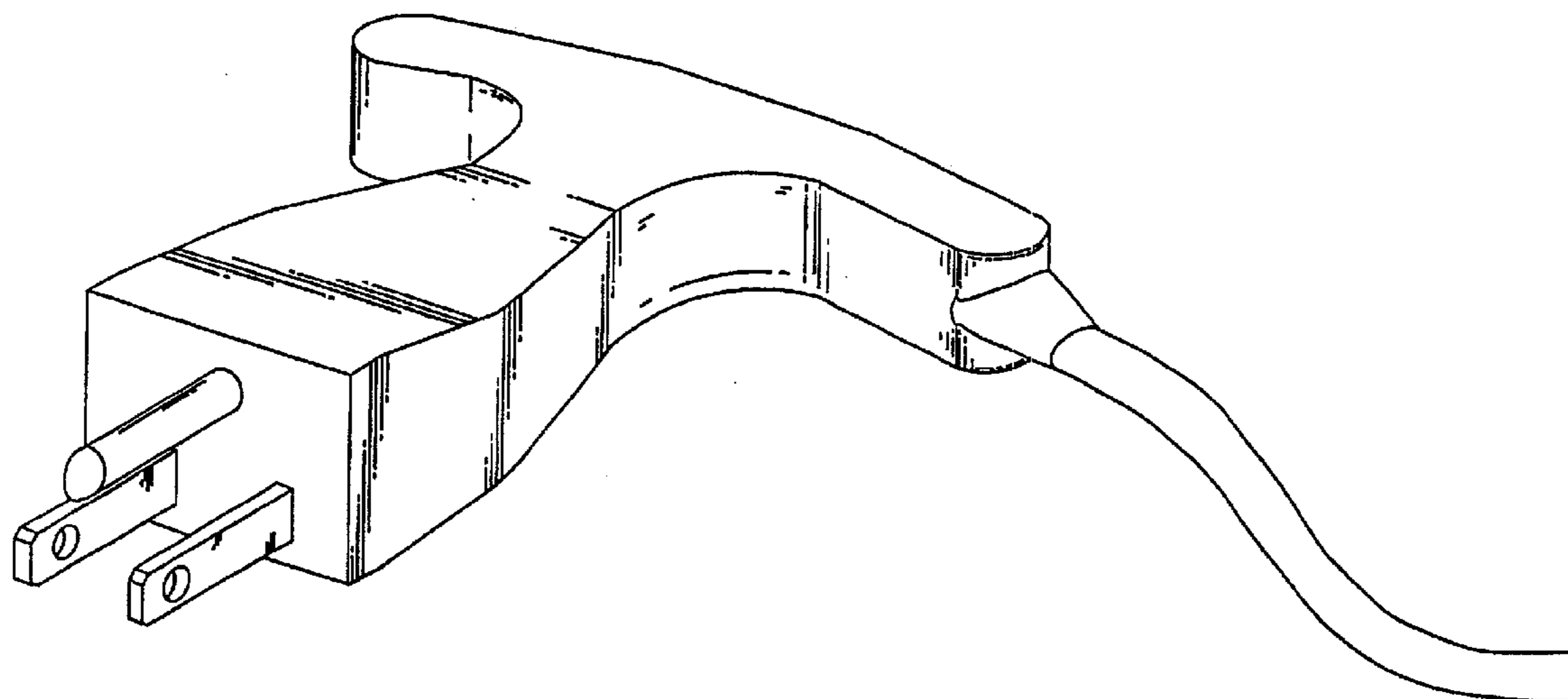
FIG. 5 is a right side view according to FIG. 1;

FIG. 6 is a bottom view according to FIG. 1;

FIG. 7 is a top view according to FIG. 1; and,

FIG. 8 is a perspective view of a first variant according to FIG. 1.

**1 Claim, 5 Drawing Sheets**



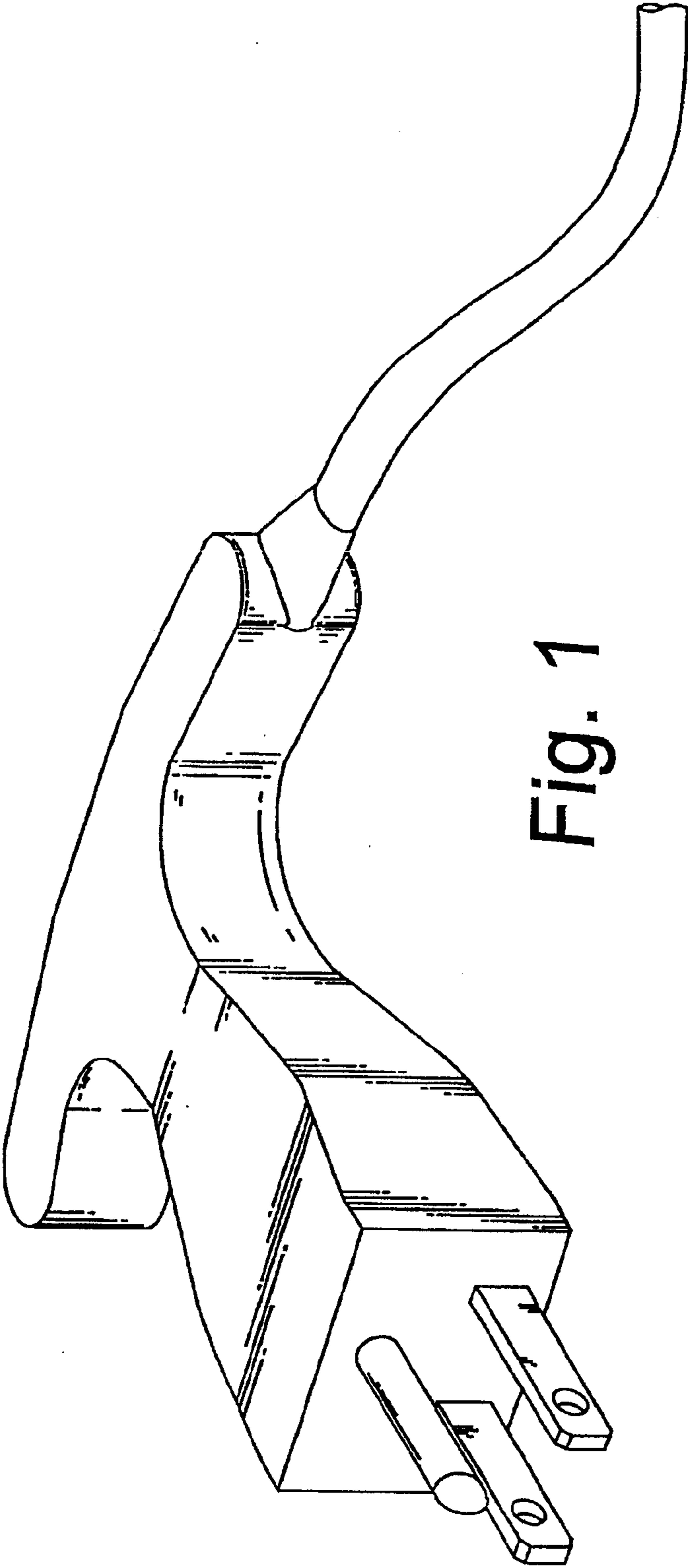


Fig. 1

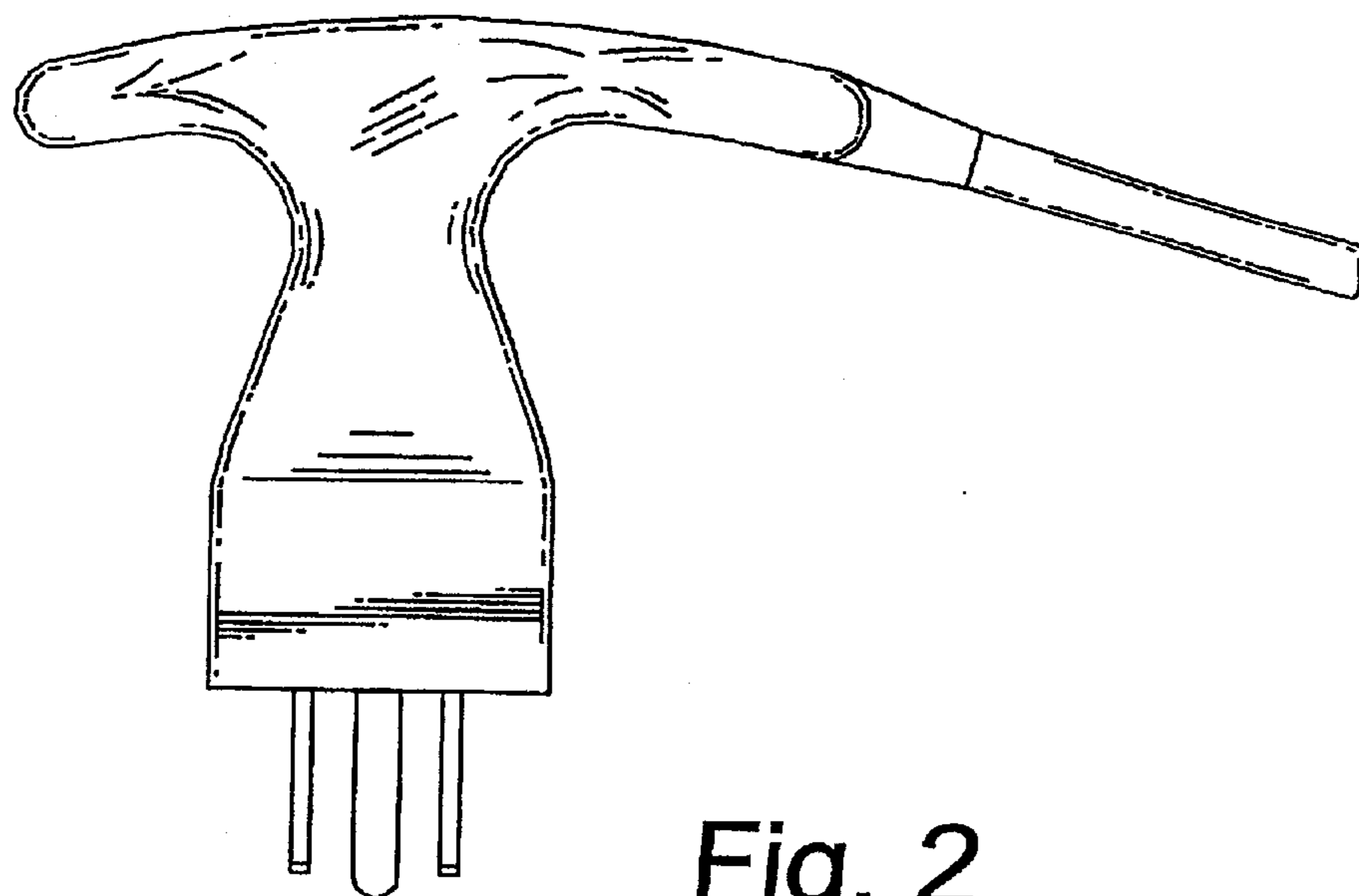


Fig. 2

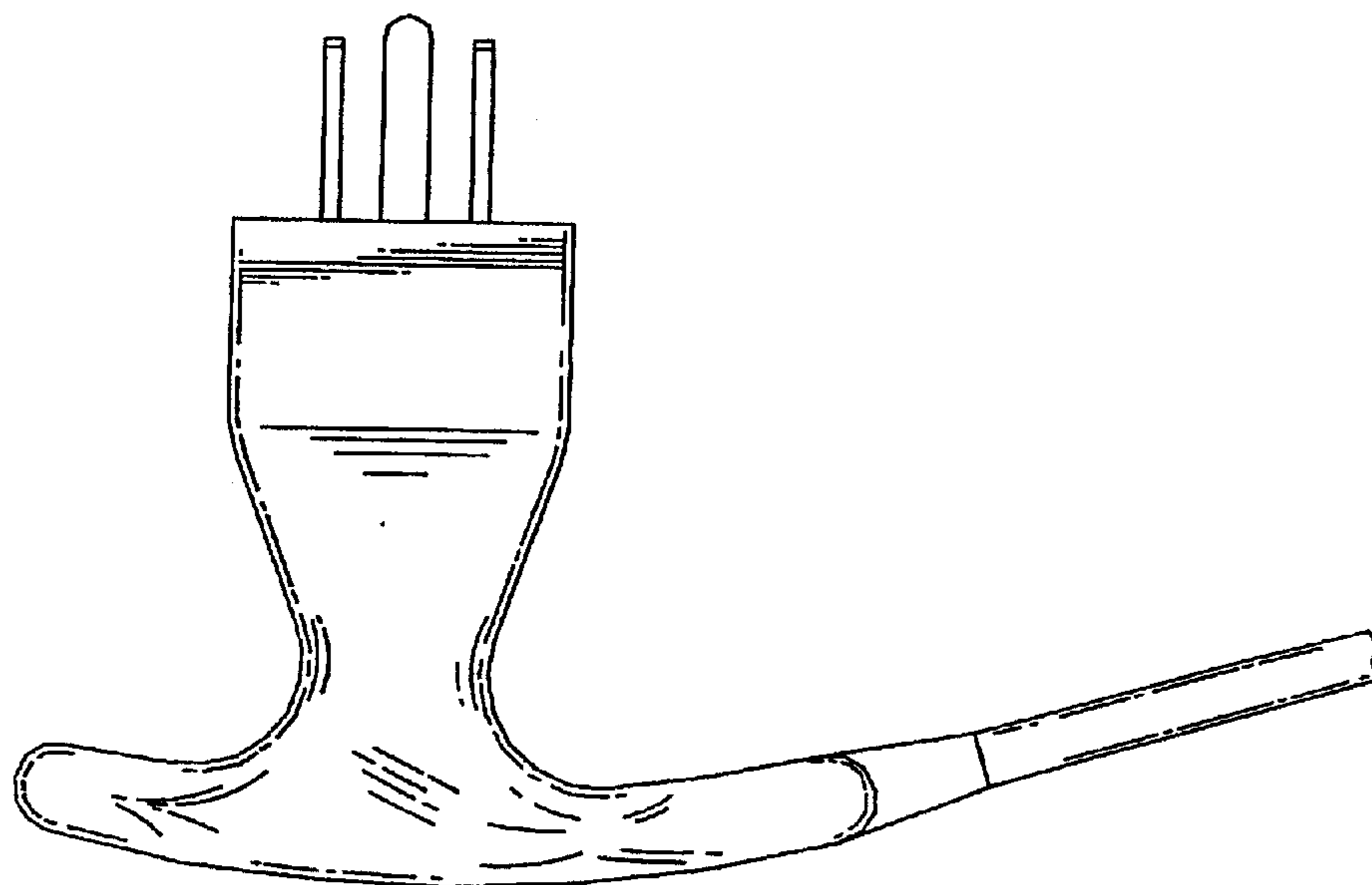
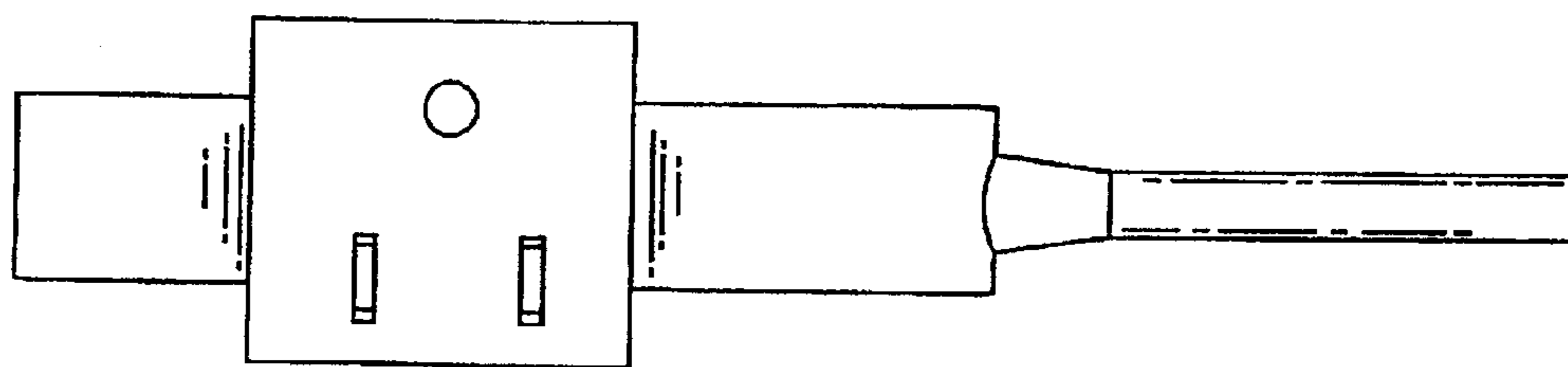
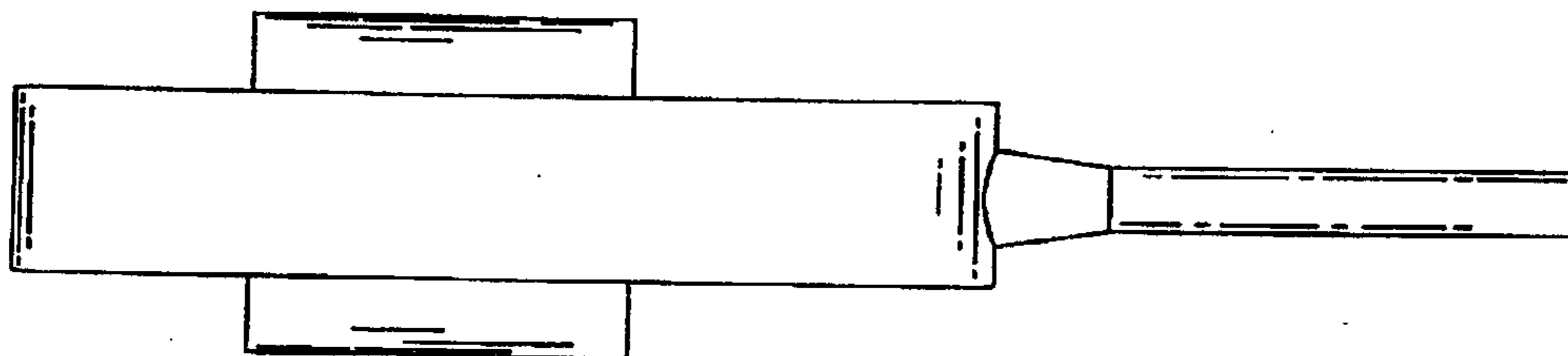


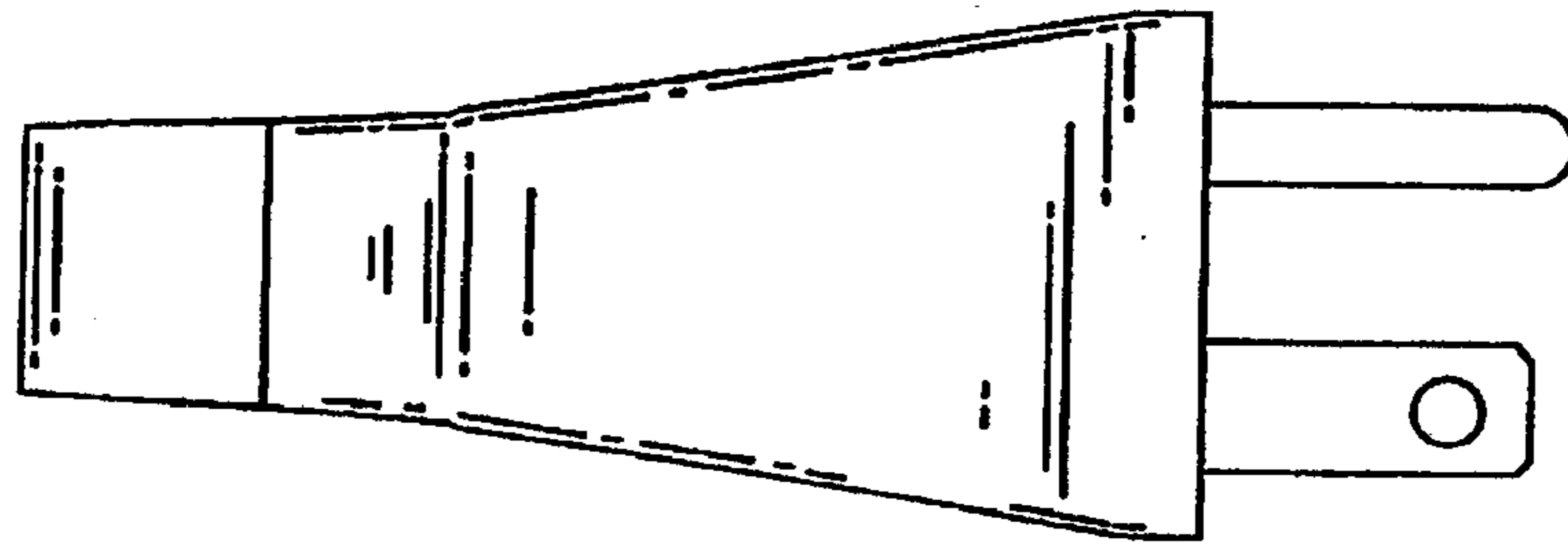
Fig. 3



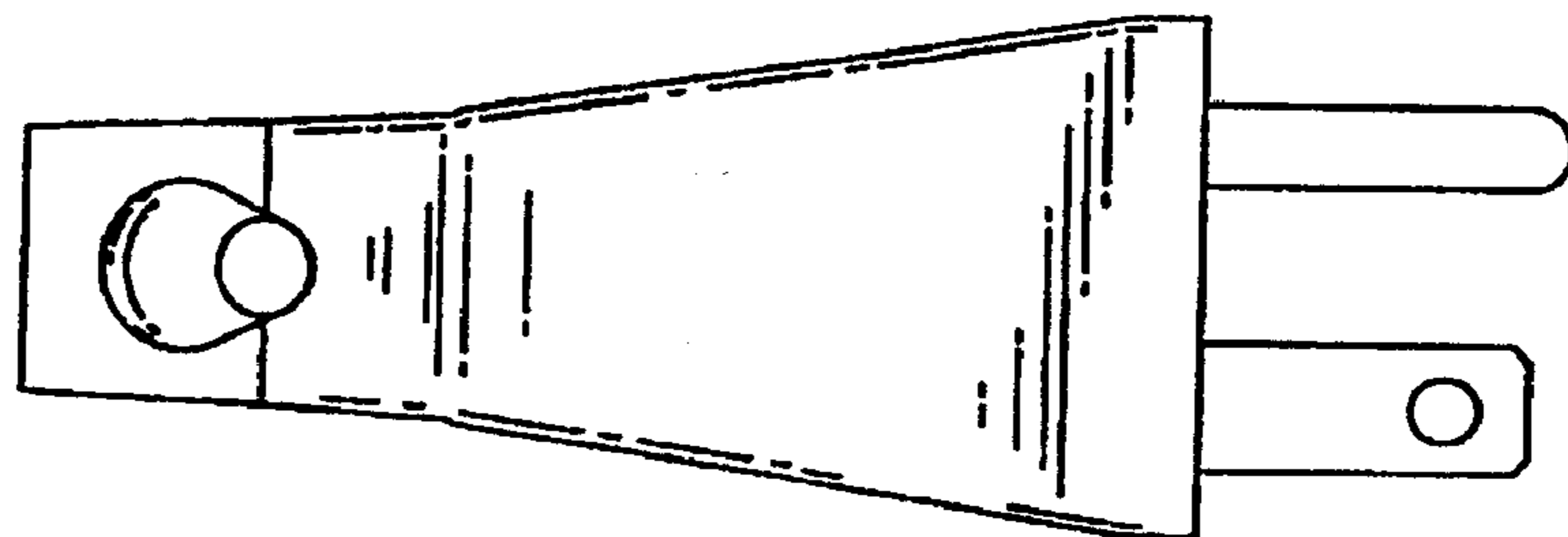
*Fig. 4*



*Fig. 5*



**Fig. 6**



**Fig. 7**

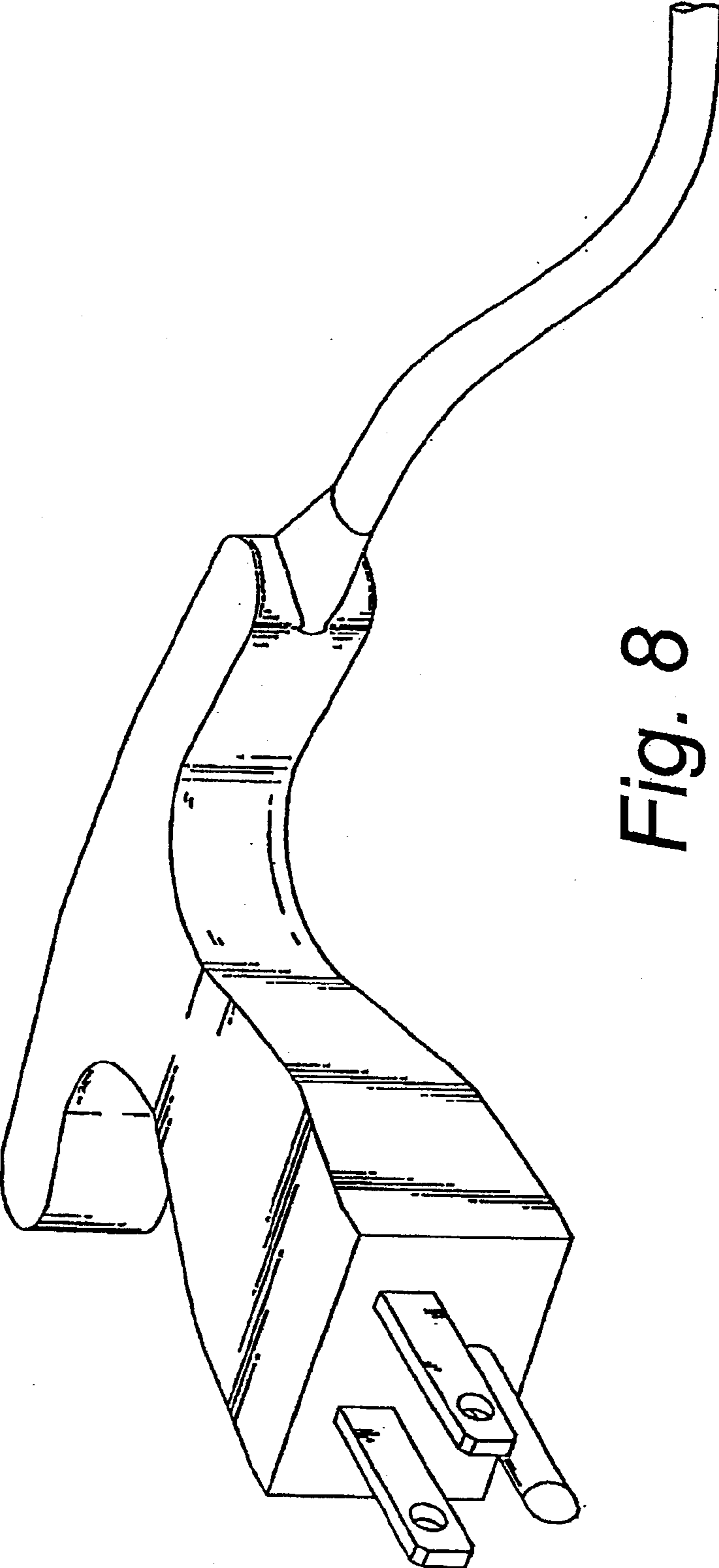


Fig. 8