

US00D538745S

(12) **United States Design Patent**  
**Campolo et al.**

(10) **Patent No.:** **US D538,745 S**  
(45) **Date of Patent:** **\*\* Mar. 20, 2007**

(54) **LAMP HOLDER WITH A FRONT-MOUNTED  
GROUND FAULT CIRCUIT INTERRUPTER  
RECEPTACLE**

D380,731 S \* 7/1997 Schadhauser ..... D13/134  
D508,752 S \* 8/2005 Wachter ..... D26/118  
2005/0275982 A1 \* 12/2005 Campolo et al. .... 361/42  
2006/0126235 A1 \* 6/2006 Campolo et al. .... 361/42

(75) Inventors: **Steve Campolo**, Malverne, NY (US);  
**Lawrence S. Leopold**, Floral Park, NY  
(US); **James Richter**, Bethpage, NY  
(US); **James A. Porter**, Farmingdale,  
NY (US)

FOREIGN PATENT DOCUMENTS

DE DM/051313 \* 2/2000  
DE DM/064242 \* 4/2003

\* cited by examiner

(73) Assignee: **Leviton Manufacturing Co., Inc.**,  
Little Neck, NY (US)

*Primary Examiner*—Daniel Bui  
(74) *Attorney, Agent, or Firm*—Paul J. Sutton

(\*\*) Term: **14 Years**

(57) **CLAIM**

(21) Appl. No.: **29/228,910**

The ornamental design for a lamp holder with a front-  
mounted ground fault circuit interrupter receptacle, as  
shown and described.

(22) Filed: **May 2, 2005**

(51) **LOC (8) Cl.** ..... **13-03**

(52) **U.S. Cl.** ..... **D13/134; D26/138**

(58) **Field of Classification Search** ..... D13/133–136,  
D13/146–147, 160, 184, 199; D26/93, 102,  
D26/106, 138; 313/1, 51, 238–239, 243,  
313/281, 358; 361/42; 439/248, 254, 890,  
439/894

**DESCRIPTION**

See application file for complete search history.

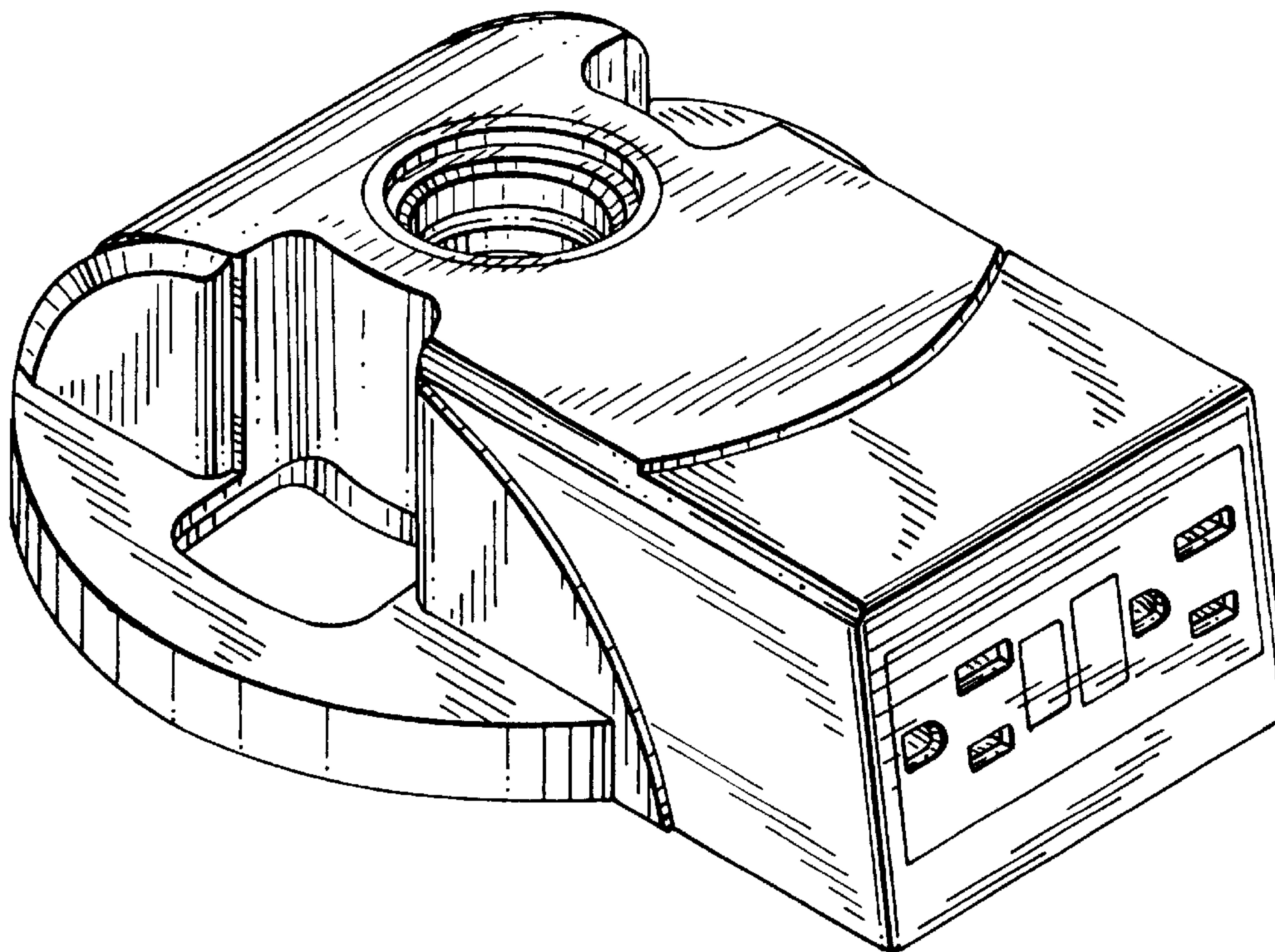
FIG. 1 is a top perspective view of a lamp holder with a  
front-mounted ground fault circuit interrupter receptacle,  
showing our new design;  
FIG. 2 is a front elevation view thereof;  
FIG. 3 is a top plan view thereof;  
FIG. 4 is a back elevation view thereof;  
FIG. 5 is a left-side elevation view thereof, a right-side view  
being a mirror image of thereof; and,  
FIG. 6 is a bottom plan view thereof.  
The broken line showing of the environment is for illustra-  
tive purpose only and forms no part of the claimed design.

(56) **References Cited**

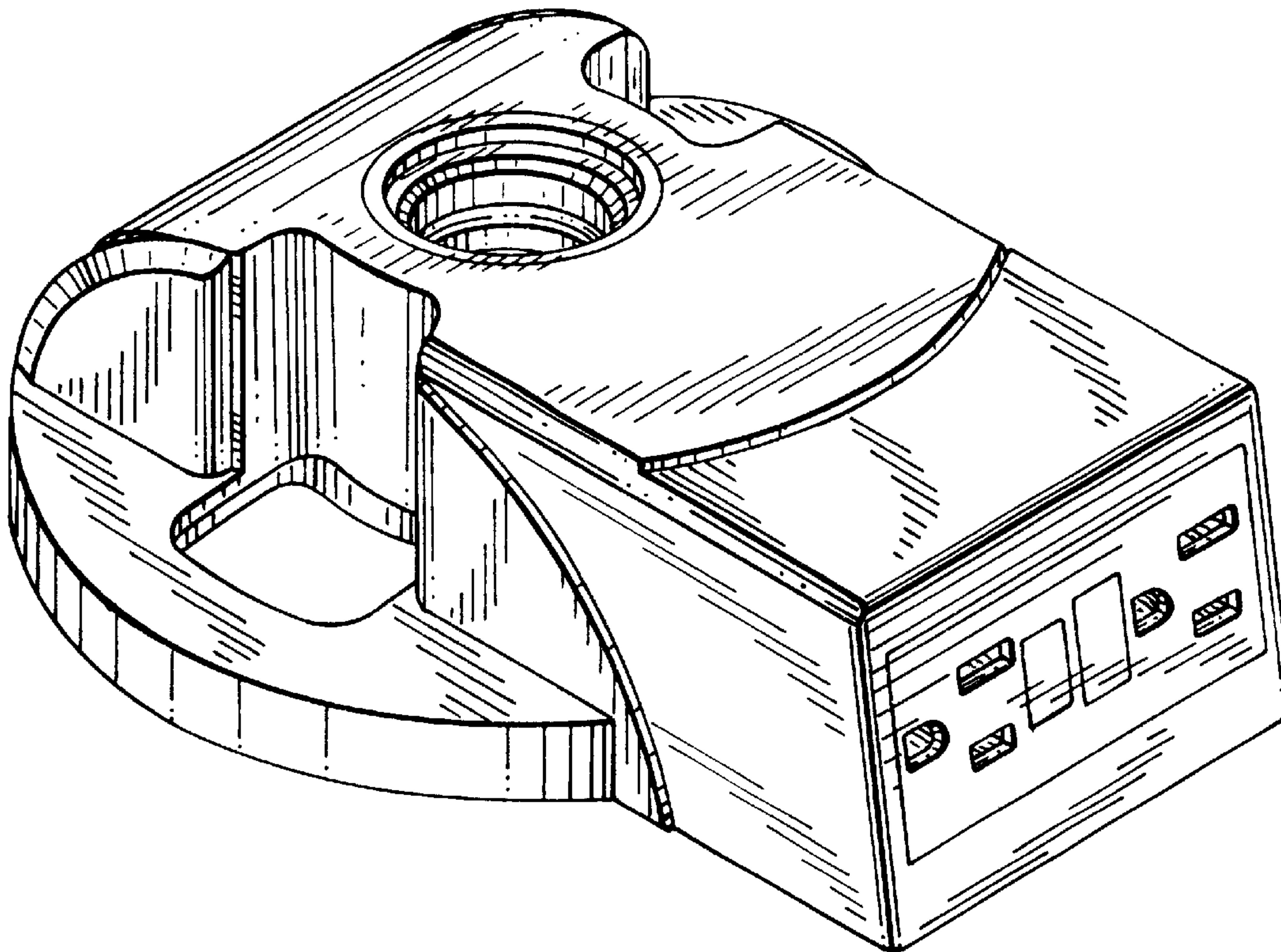
U.S. PATENT DOCUMENTS

D152,275 S \* 1/1949 Ludwig ..... D13/146  
D209,146 S \* 11/1967 Duvall et al. .... D13/134  
D281,682 S \* 12/1985 Pfeiffer, Jr. .... D13/134

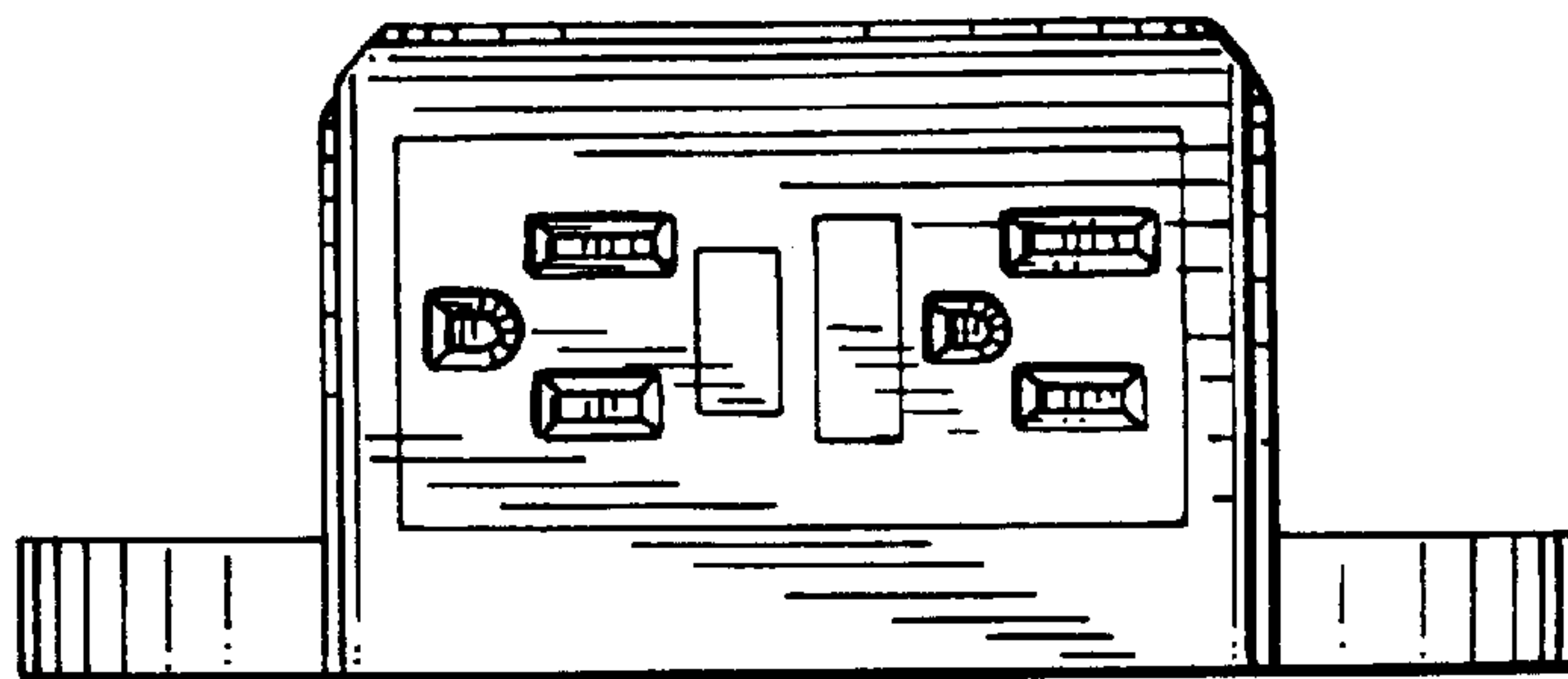
**1 Claim, 3 Drawing Sheets**

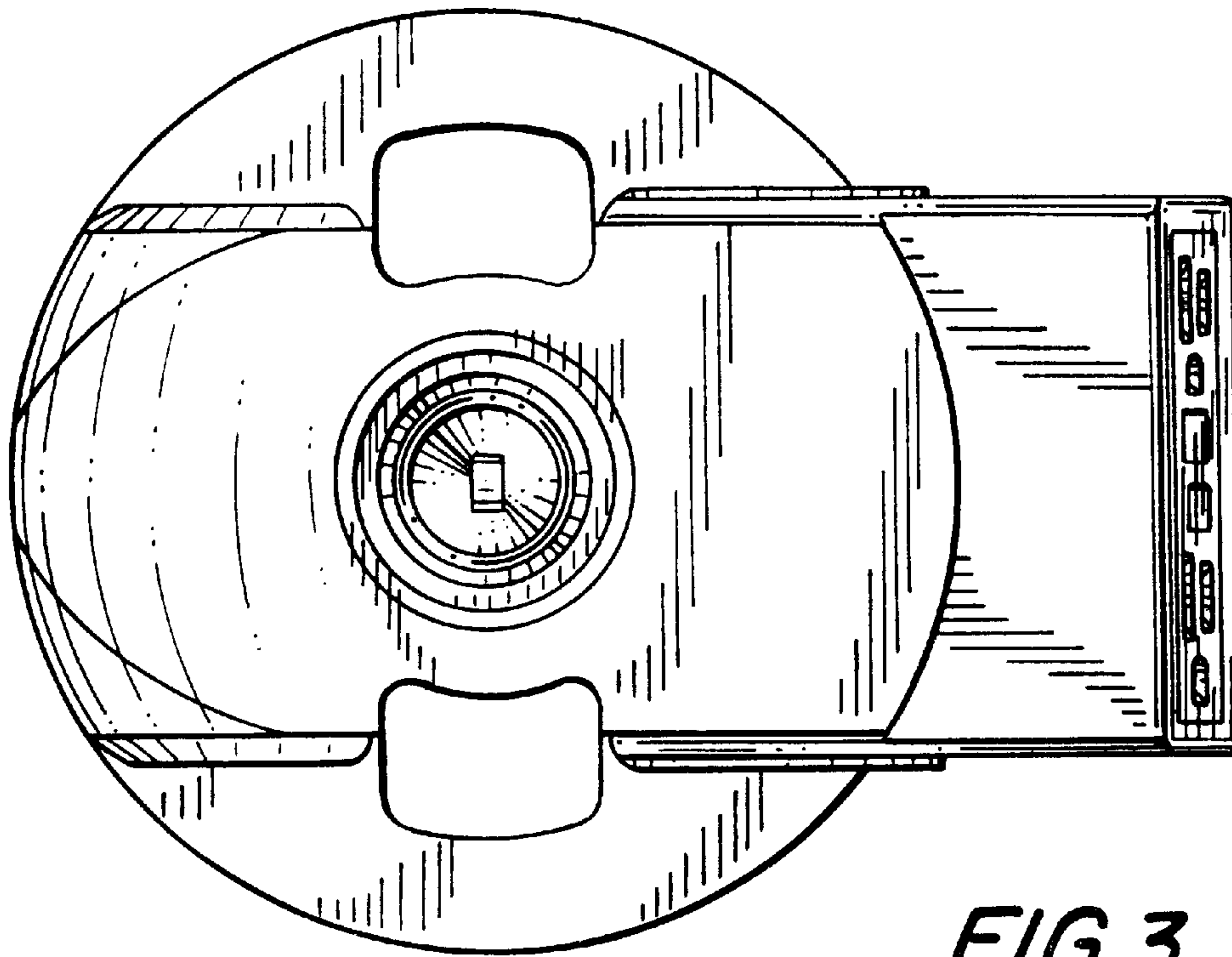


*FIG. 1*



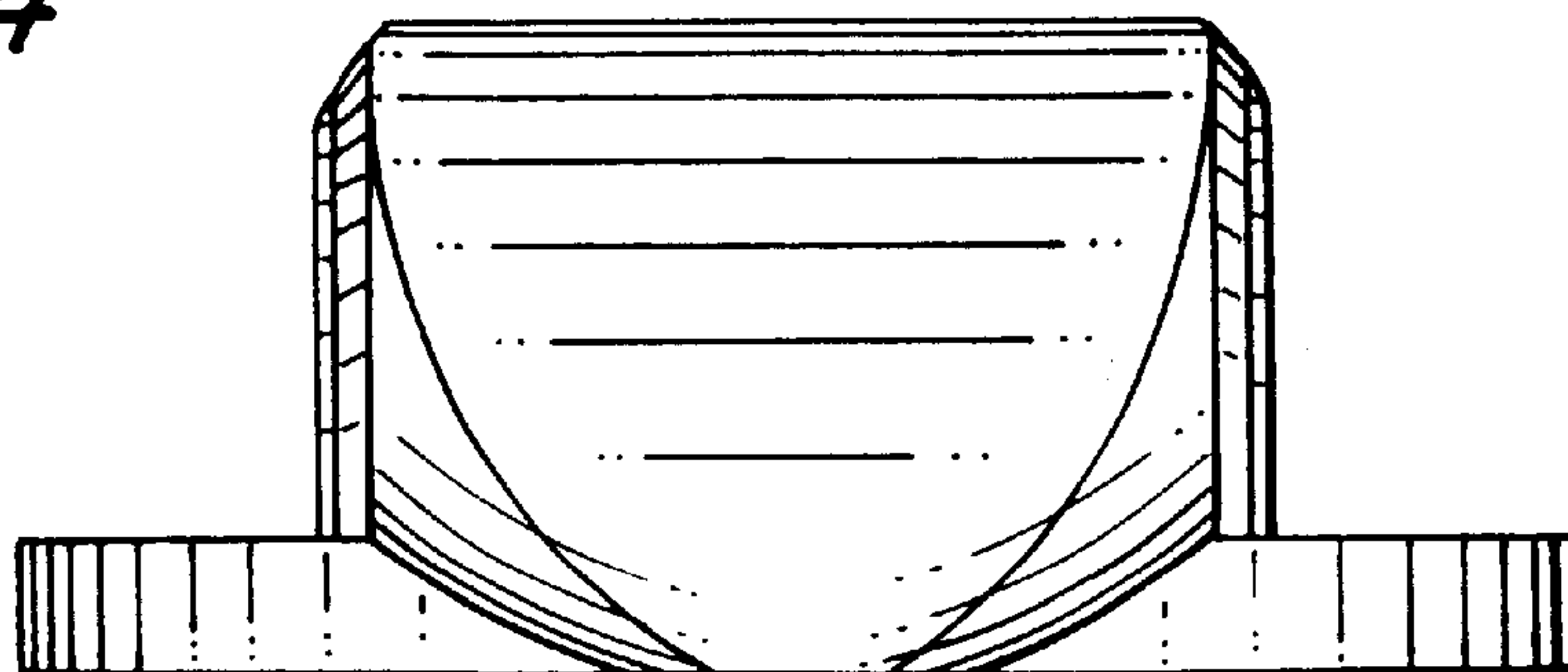
*FIG. 2*





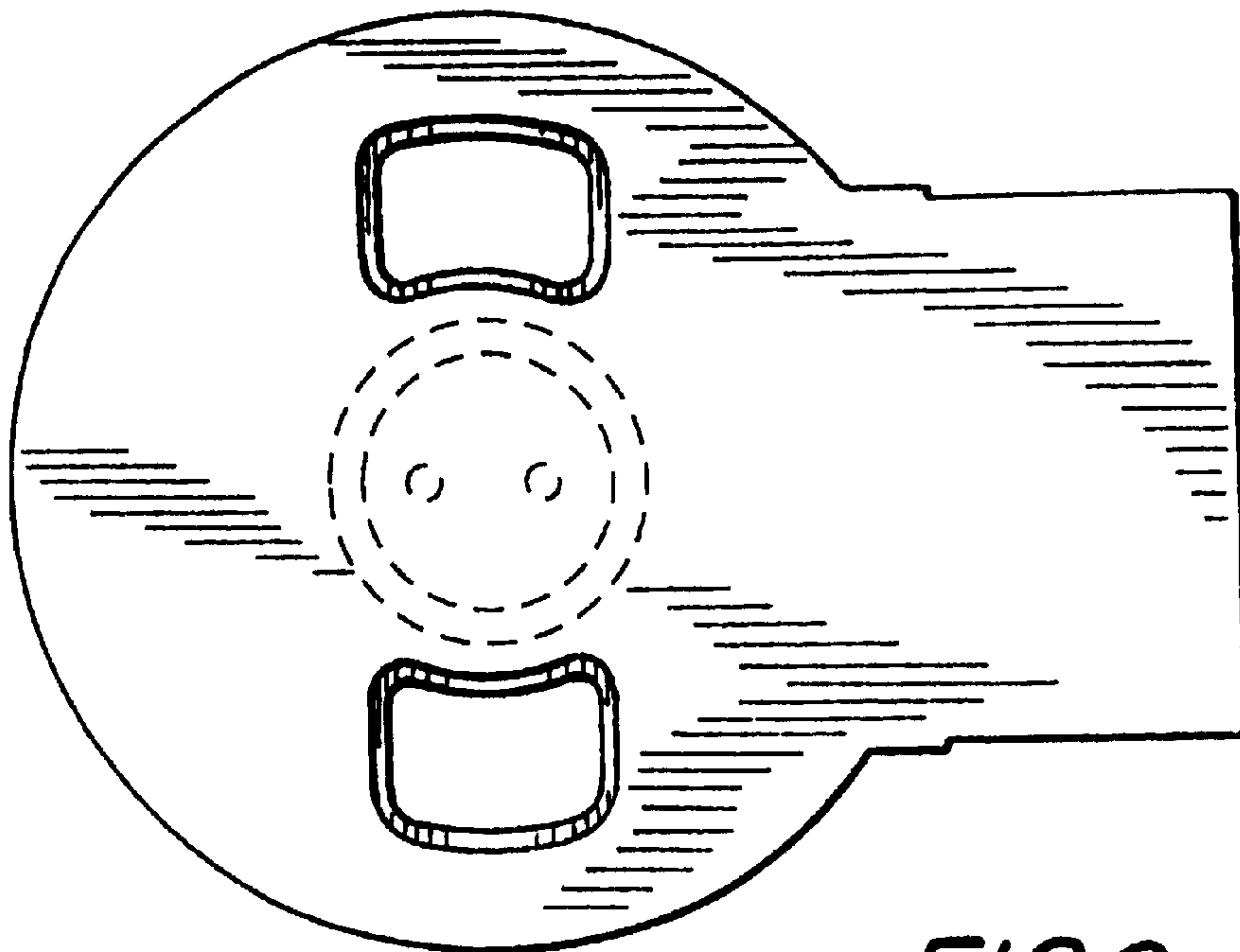
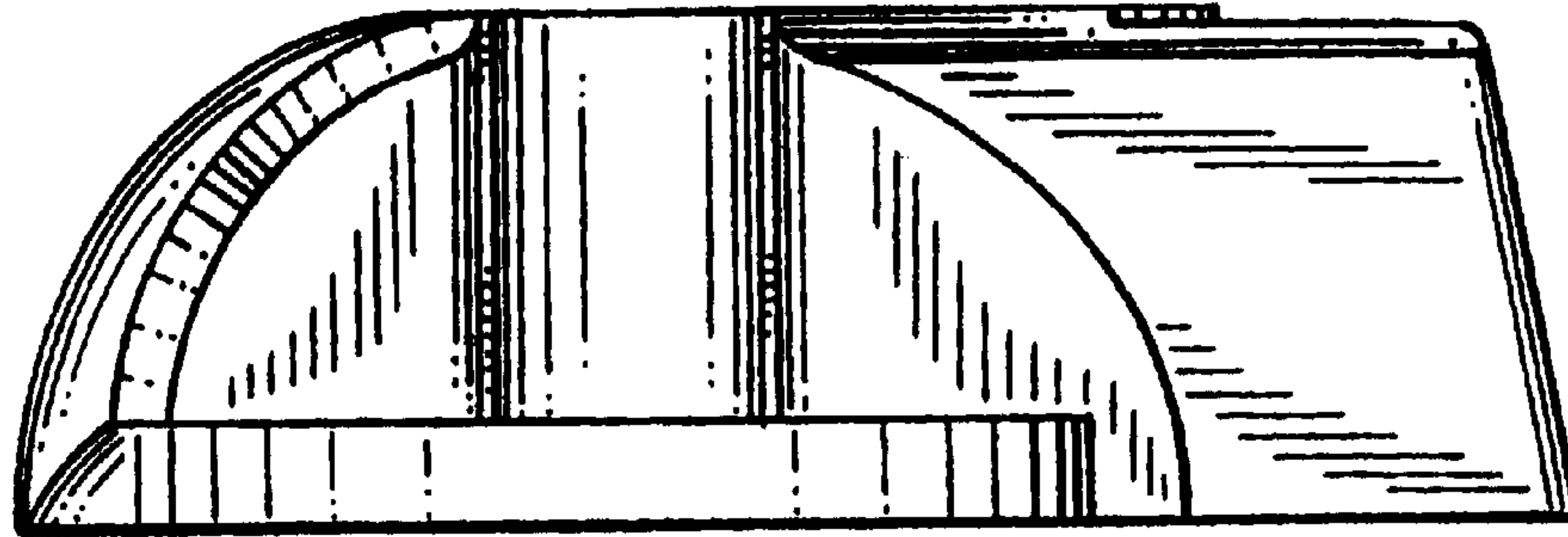
*FIG. 3*

*FIG. 4*





*FIG. 5*



*FIG. 6*