



US00D538744S

(12) **United States Design Patent**
Hamada et al.

(10) **Patent No.:** **US D538,744 S**
(45) **Date of Patent:** **** Mar. 20, 2007**

(54) **ELECTRICAL CONNECTOR**
(75) Inventors: **Takeo Hamada**, Aichi (JP); **Takashi Yanagisawa**, Aichi (JP); **Atsushi Nishida**, Aichi (JP); **Fumihiko Itakura**, Tokyo (JP); **Toshihiro Oka**, Tokyo (JP)

D425,027 S * 5/2000 Nishio et al. D13/147
D449,821 S * 10/2001 Shimojyo D13/147
D465,457 S * 11/2002 Hu et al. D13/147
D466,082 S * 11/2002 Hu et al. D13/147
D491,146 S * 6/2004 Hu et al. D13/147
D504,401 S * 4/2005 Wang et al. D13/147
D525,945 S * 8/2006 Hamada et al. D13/147

(73) Assignees: **Toyota Motor Corporation**, Toyota (JP); **Japan Aviation Electronics Industry, Limited**, Tokyo (JP)

* cited by examiner

Primary Examiner—Daniel Bui

(**) Term: **14 Years**

(74) *Attorney, Agent, or Firm*—Collard & Roe, P.C.

(21) Appl. No.: **29/242,945**

(22) Filed: **Nov. 16, 2005**

(57) **CLAIM**

The ornamental design for an electrical connector, as shown and described.

(30) **Foreign Application Priority Data**

DESCRIPTION

May 19, 2005 (JP) 2005-014322

(51) **LOC (8) Cl.** **13-03**

(52) **U.S. Cl.** **D13/133; D13/147**

(58) **Field of Classification Search** D13/123, D13/133, 146–147, 154, 184, 199; 439/79, 439/108, 278, 374, 377, 660, 607–610, 680, 439/682, 883, 891, 894

See application file for complete search history.

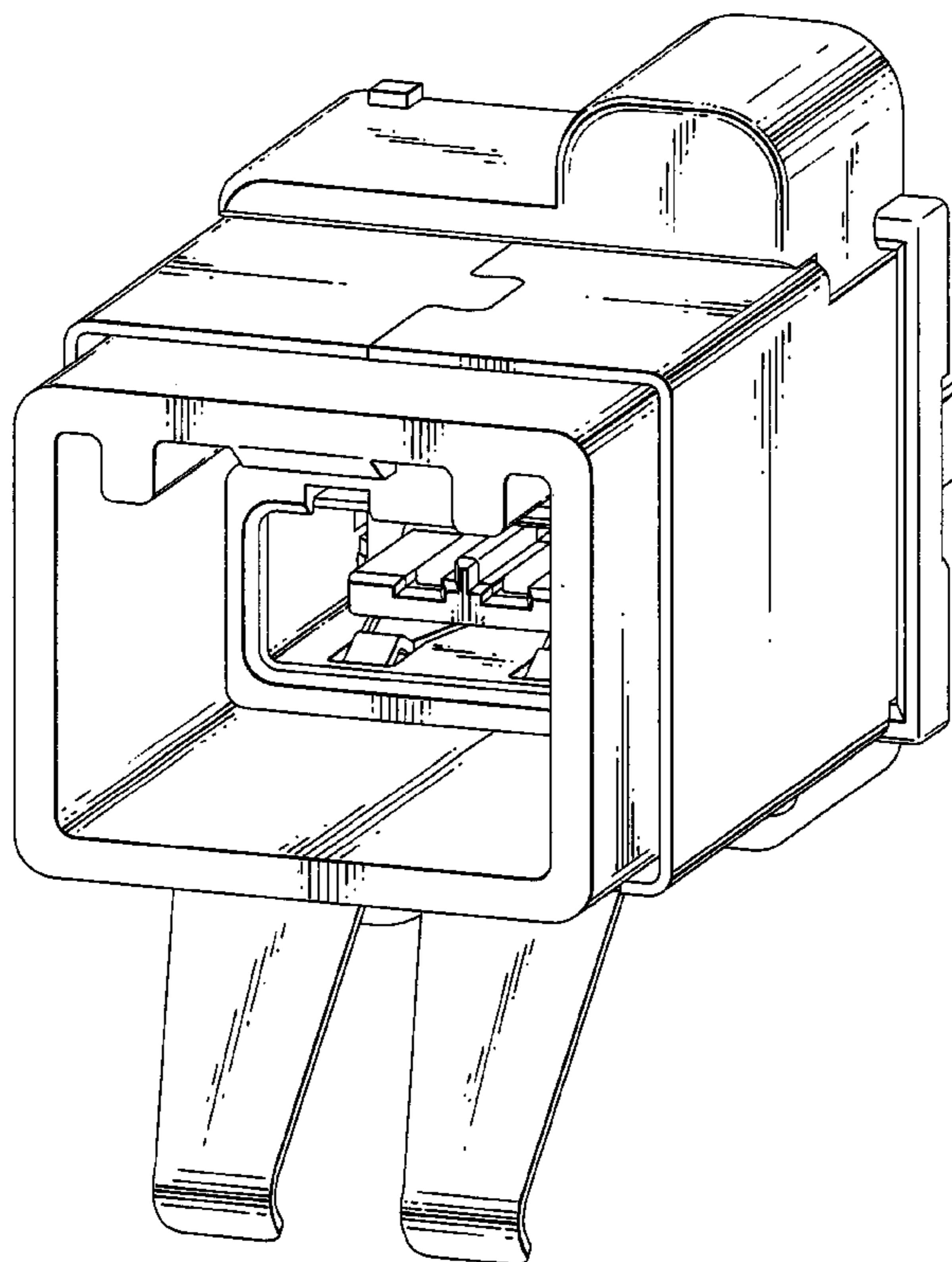
FIG. 1 is a front elevational view of an electrical connector showing our new design;
FIG. 2 is a top plan view thereof;
FIG. 3 is a rear elevational view thereof;
FIG. 4 is a bottom plan view thereof;
FIG. 5 is a right side elevational view thereof;
FIG. 6 is a left side elevational view thereof;
FIG. 7 is a front, top and right side perspective view thereof;
FIG. 8 is a rear, top and left side perspective view thereof; and,
FIG. 9 is a front, bottom and right side perspective view thereof.

(56) **References Cited**

U.S. PATENT DOCUMENTS

D377,007 S * 12/1996 Tan et al. D13/147
D410,895 S * 6/1999 Bandura et al. D13/147

1 Claim, 9 Drawing Sheets



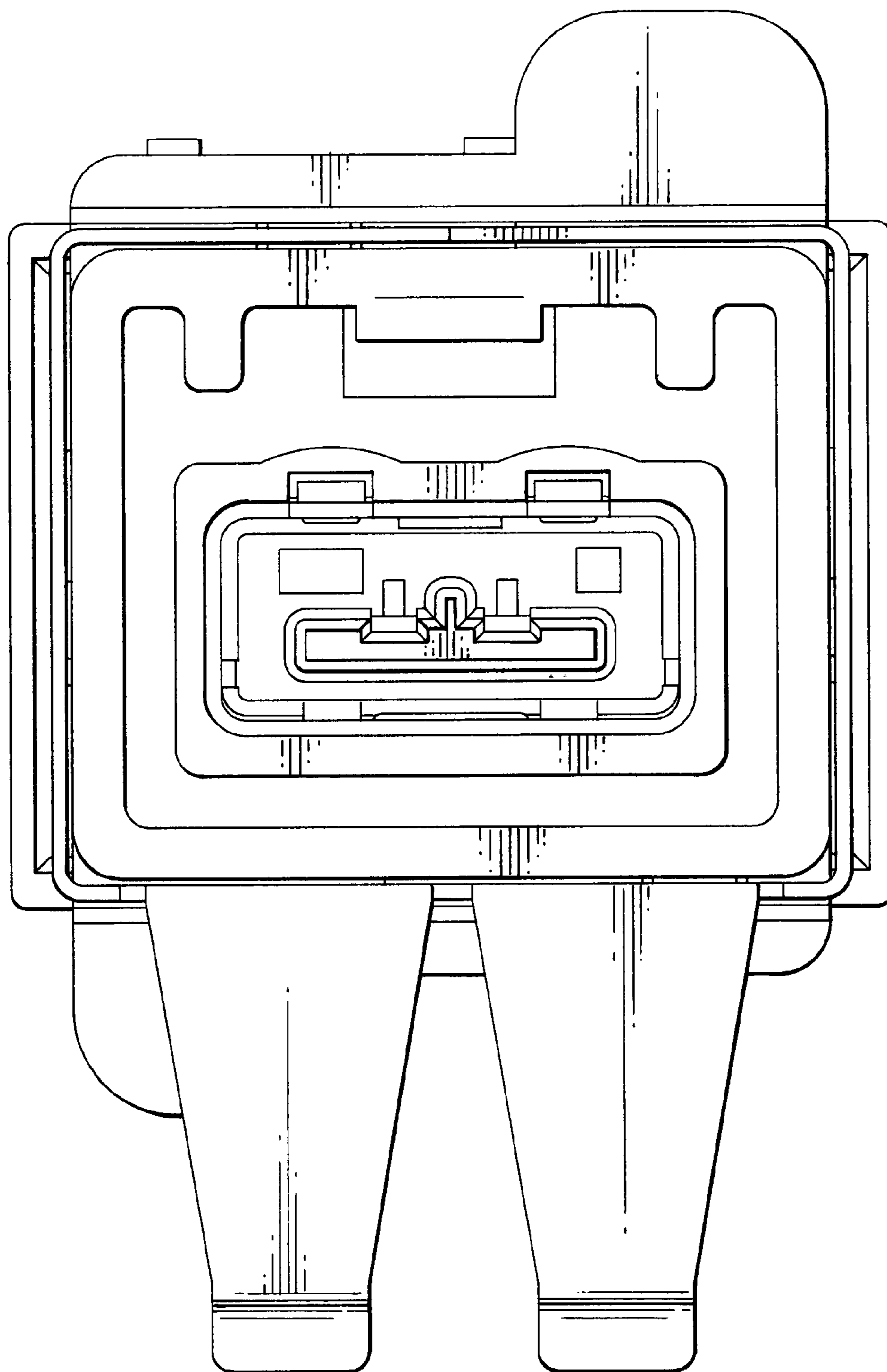


FIG. 1

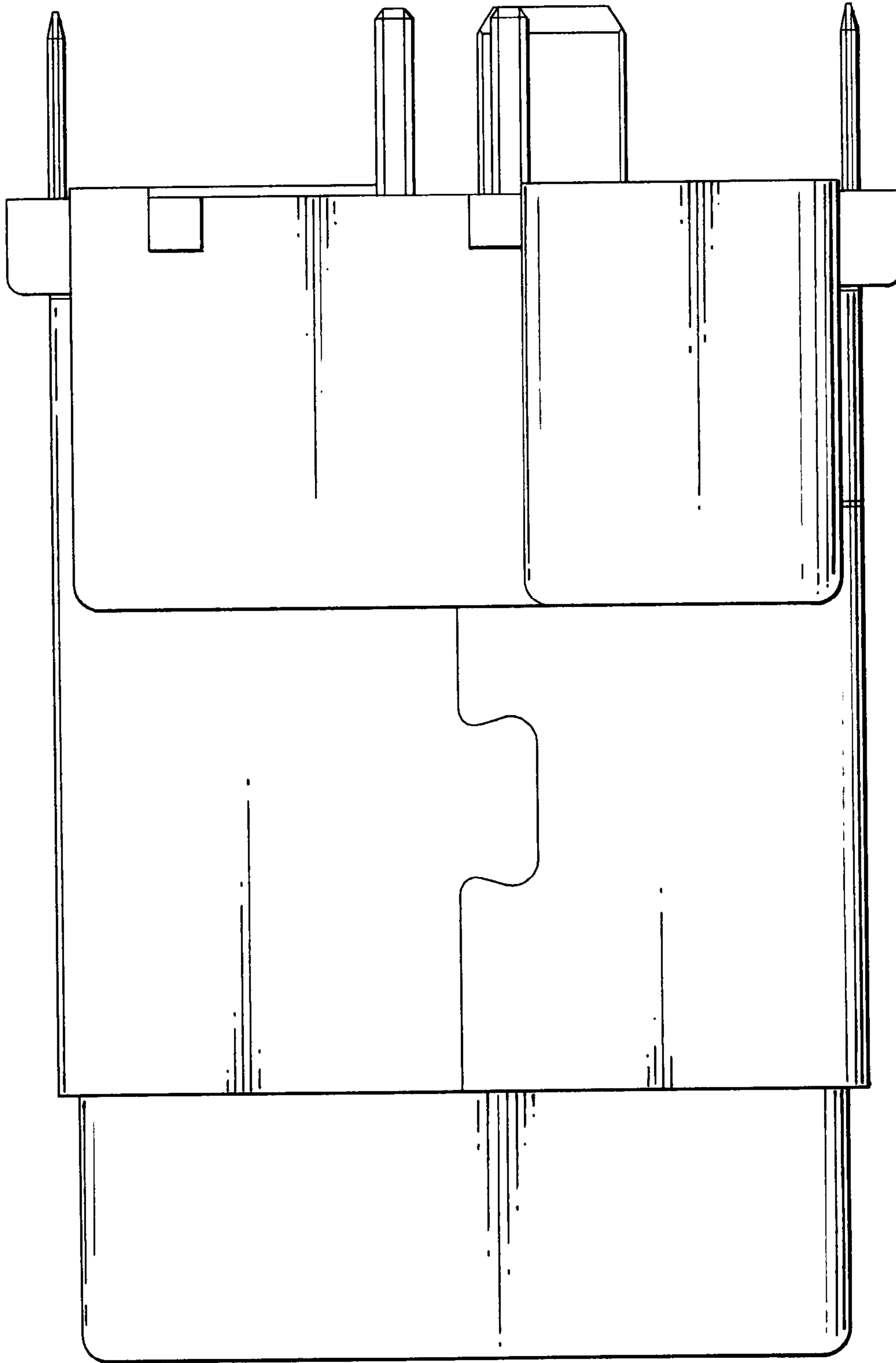


FIG. 2

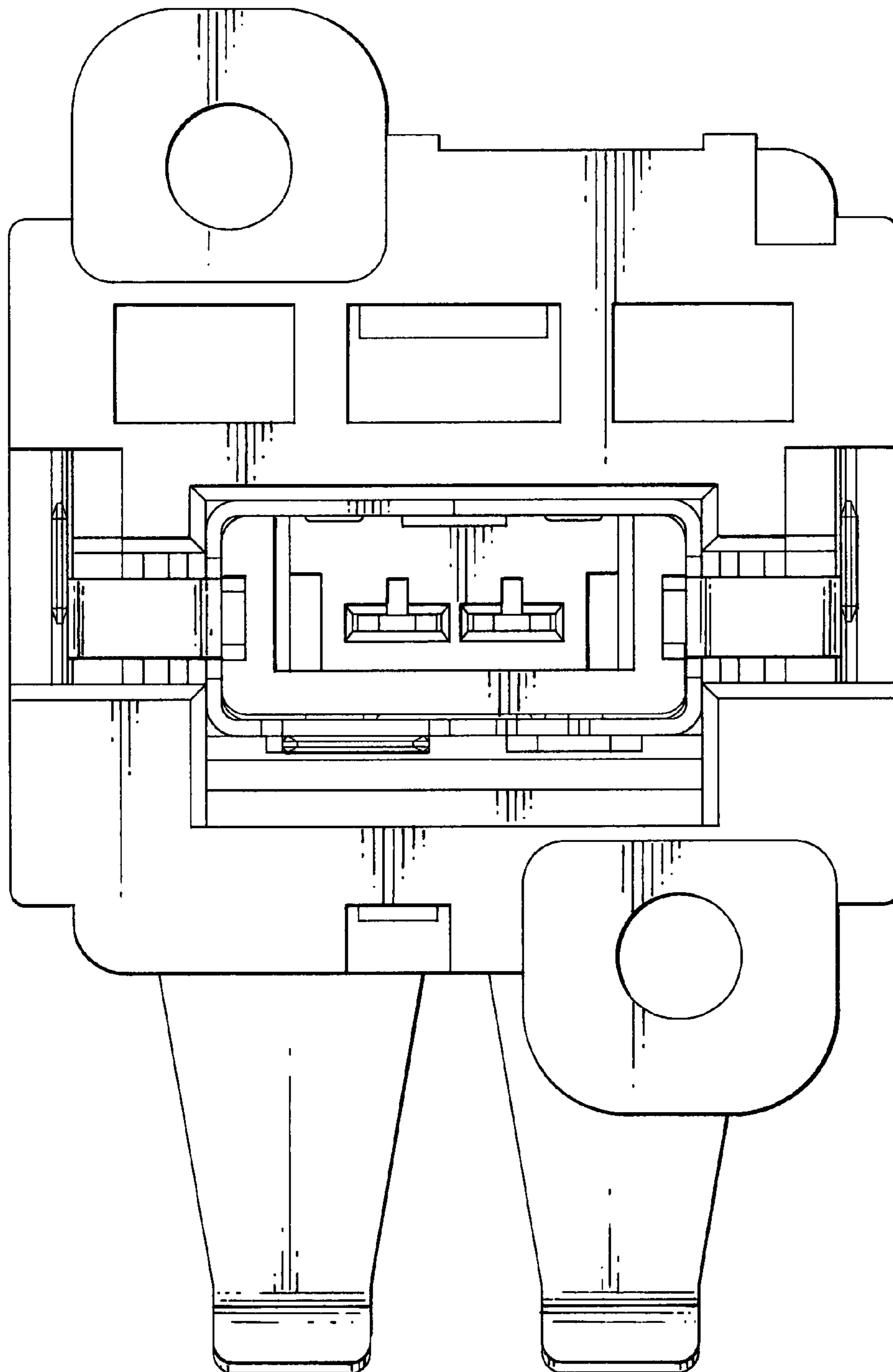


FIG. 3

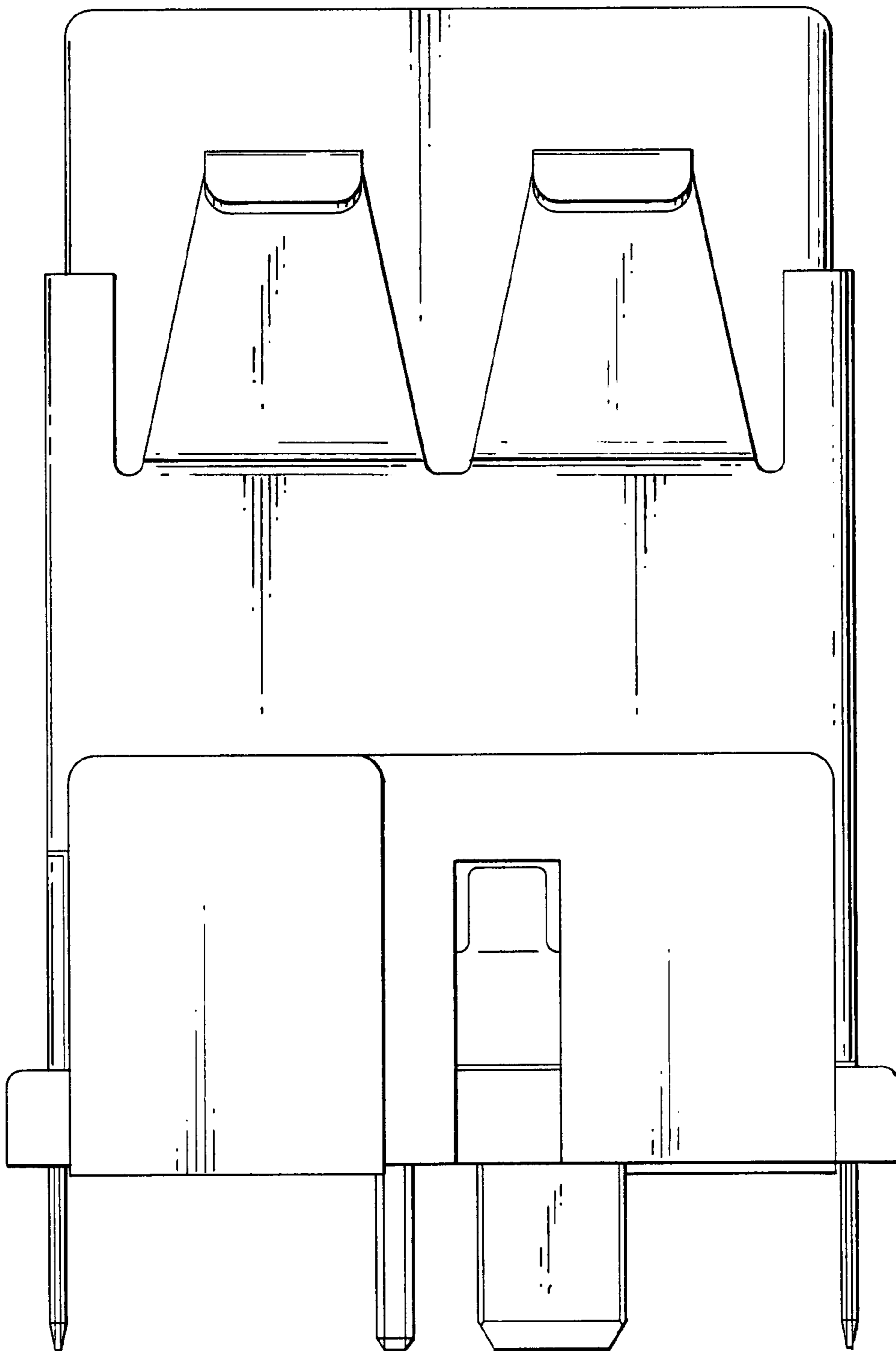


FIG. 4

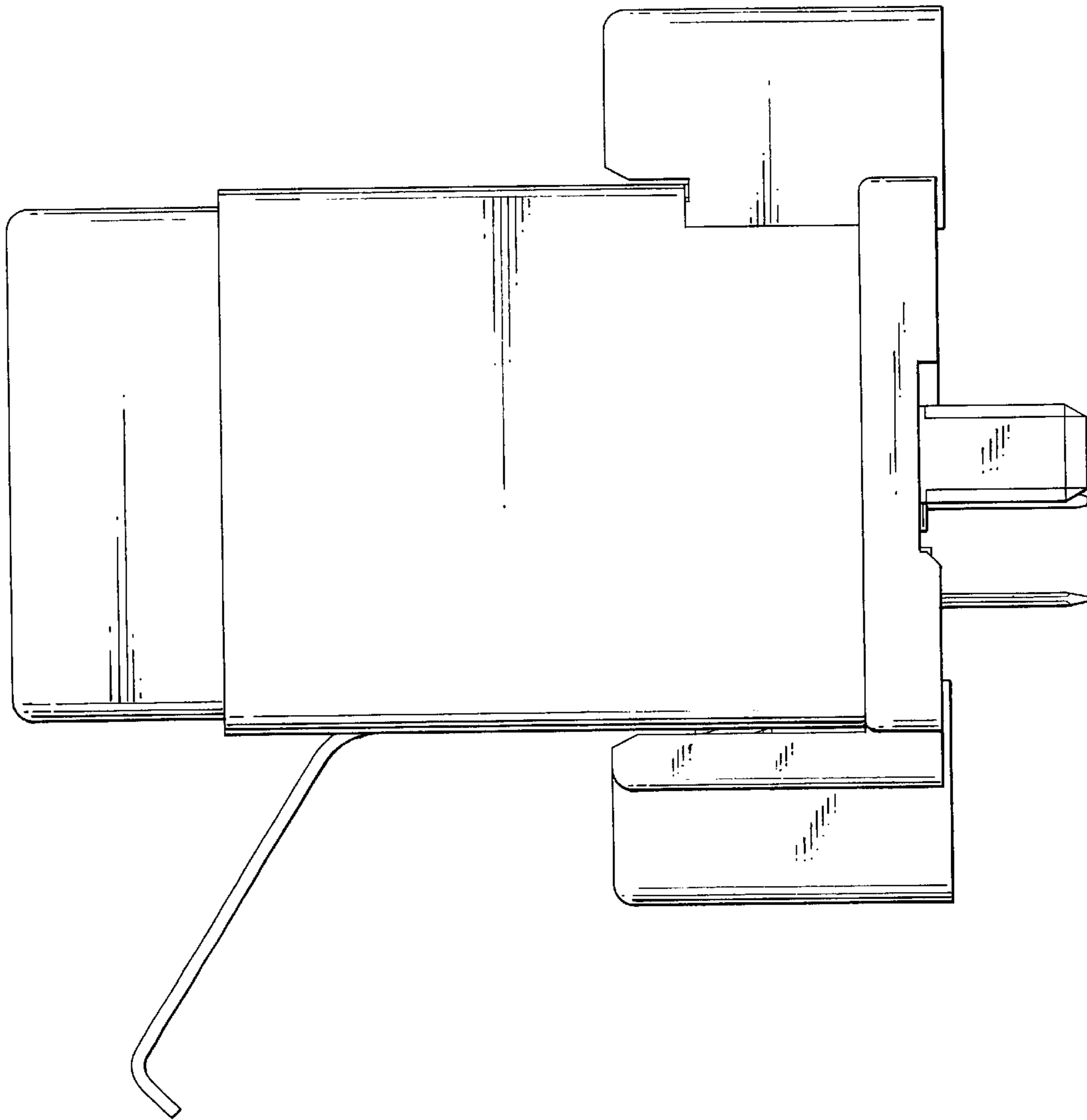


FIG. 5

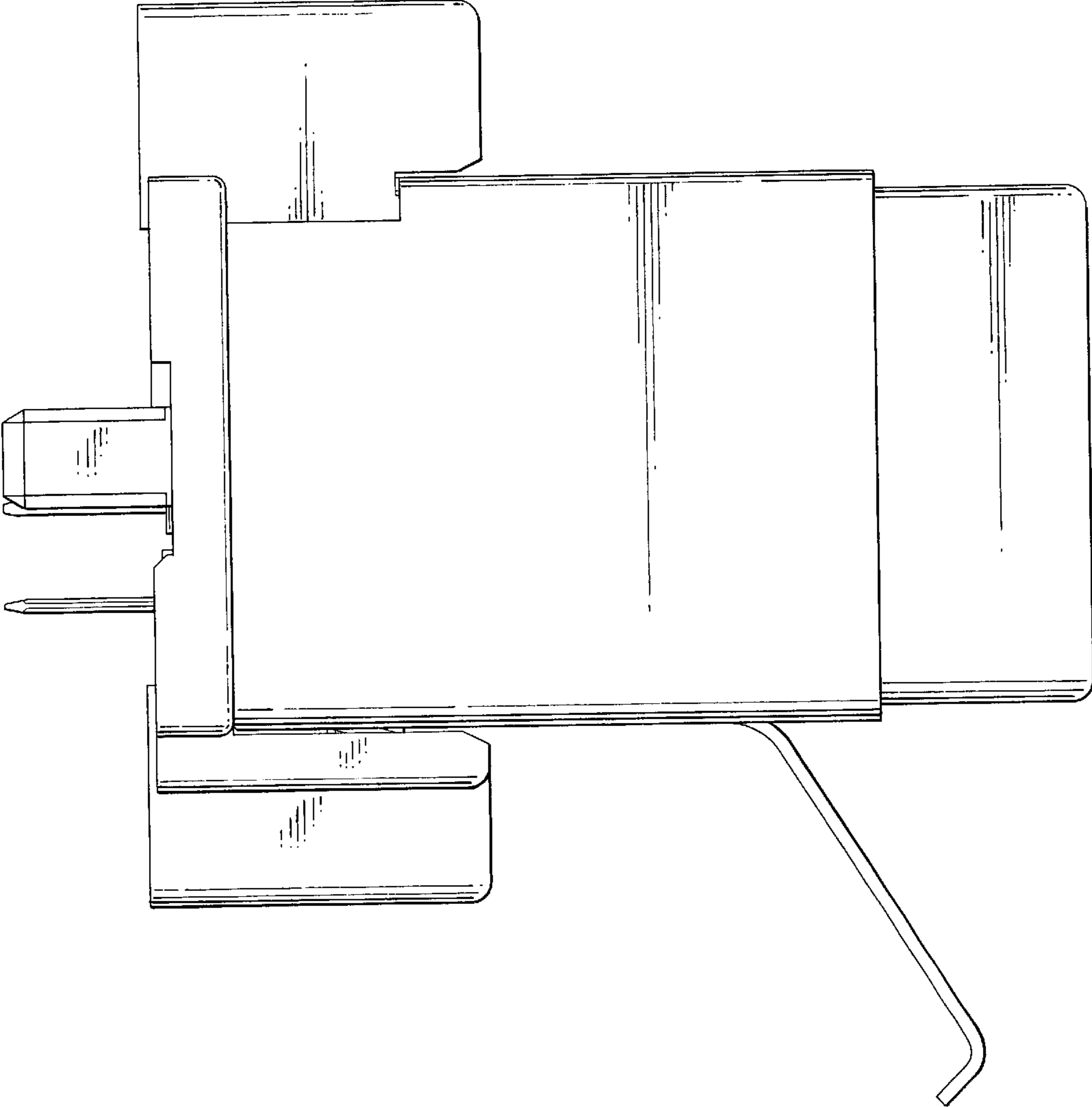


FIG. 6

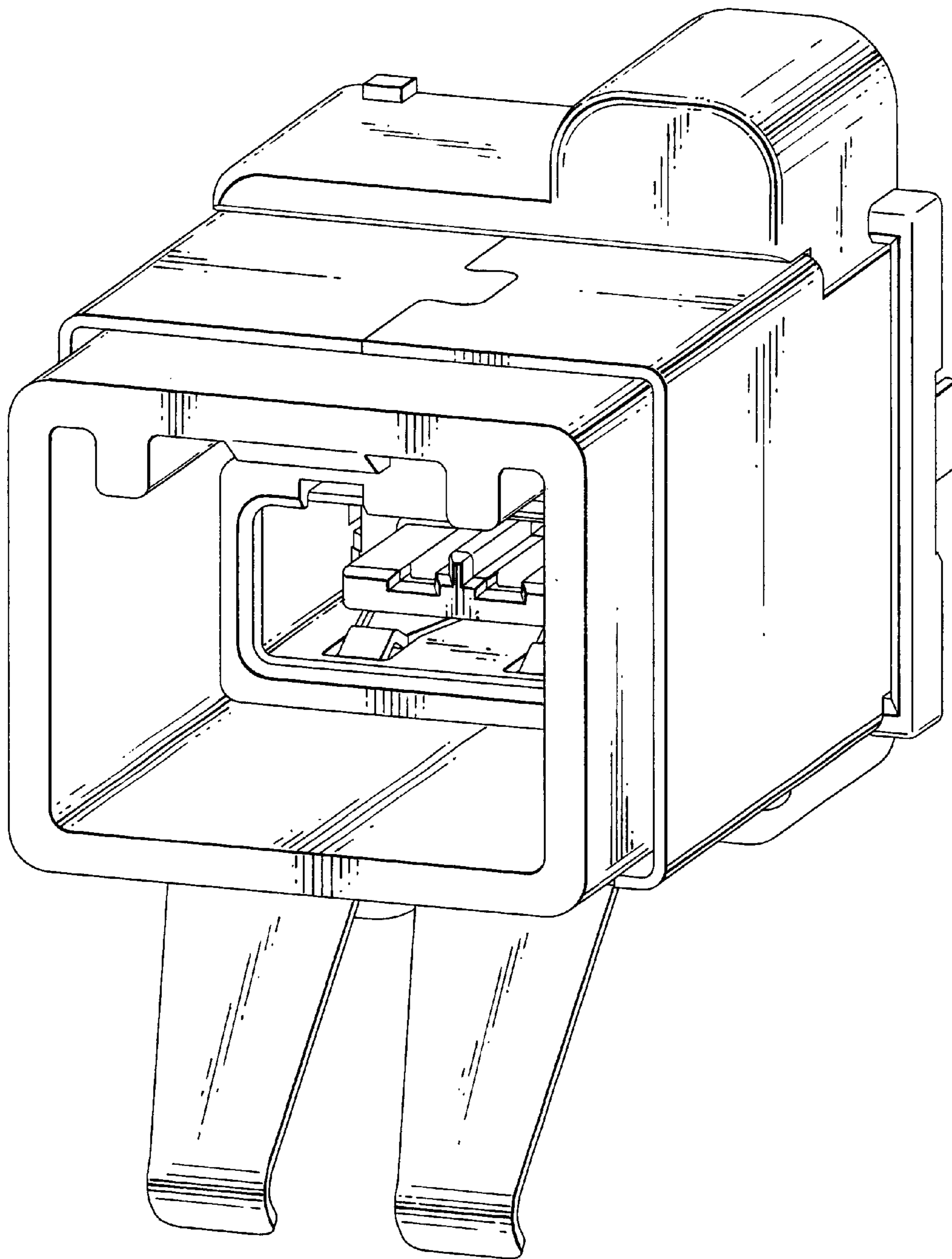


FIG. 7

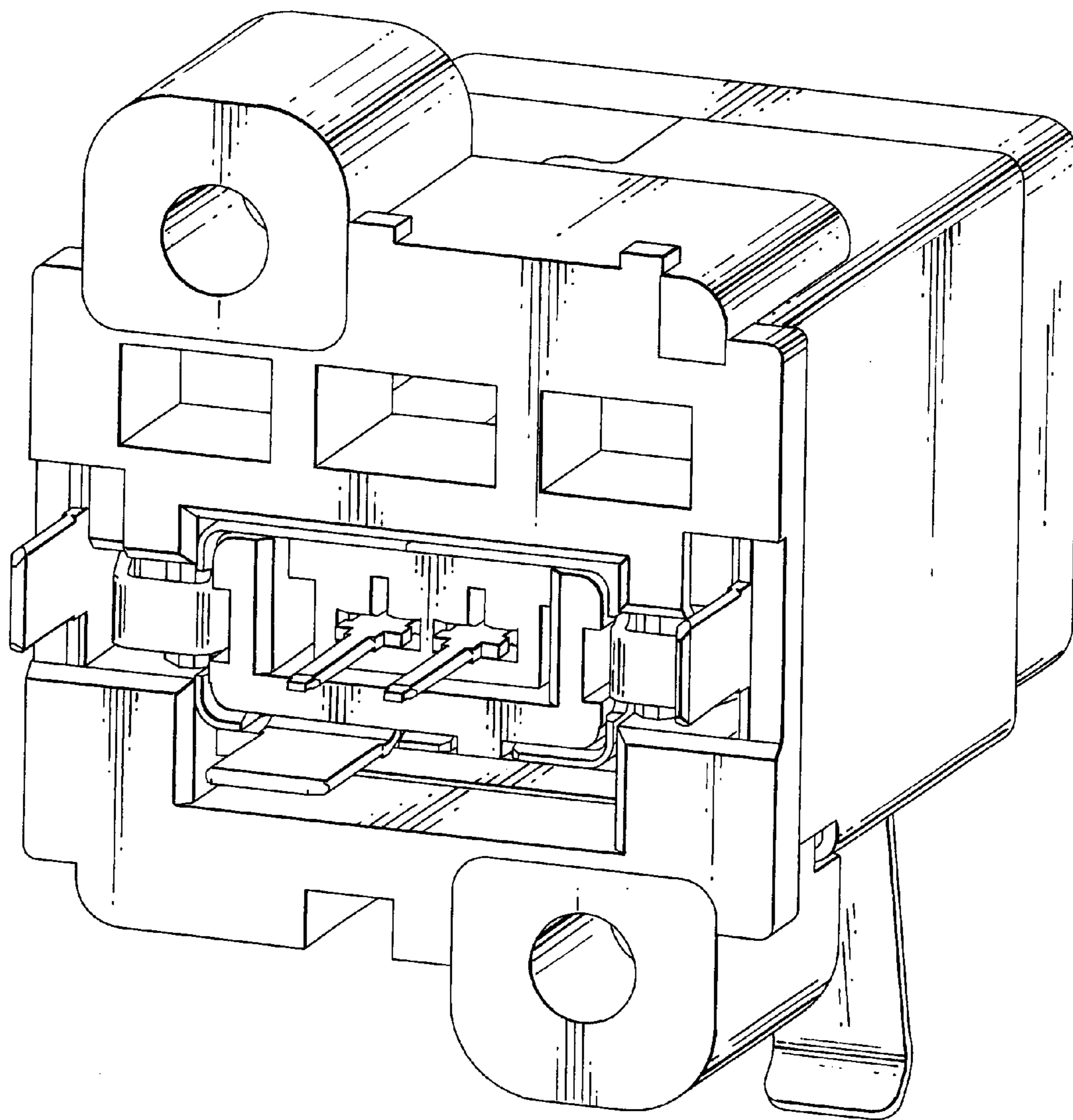


FIG. 8

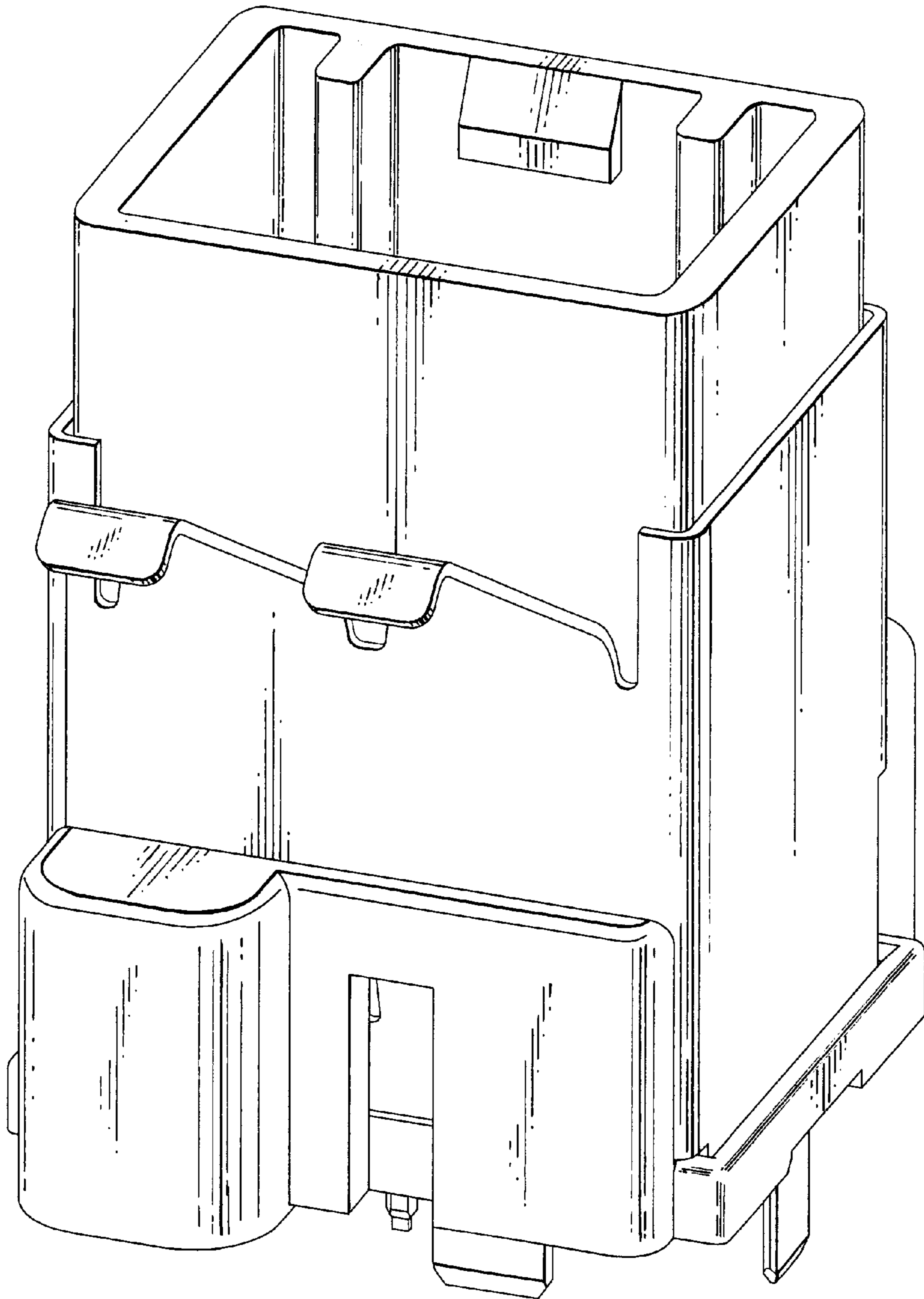


FIG. 9