



US00D538742S

(12) **United States Design Patent**  
**Pickvet et al.**

(10) **Patent No.:** **US D538,742 S**  
(45) **Date of Patent:** **\*\* Mar. 20, 2007**

(54) **TRANSFORMER POWER SUPPLY FOR A GAS DISCHARGE LAMP**  
(75) Inventors: **Louis B. Pickvet**, Burns, TN (US);  
**Robert L. Towe**, Fairview, TN (US);  
**Charles A. Schlemm**, Burns, TN (US)

D334,732 S \* 4/1993 Burgher et al. .... D13/110  
5,847,909 A 12/1998 Hopkins et al.  
6,040,778 A 3/2000 Hopkins et al.  
D432,080 S \* 10/2000 Sugimoria et al. .... D13/110  
D433,995 S \* 11/2000 Romano ..... D13/110  
6,366,208 B1 4/2002 Hopkins et al.

(73) Assignee: **France/A Scott Fetzer Company**,  
Fairview, TN (US)

\* cited by examiner

(\*\*) Term: **14 Years**

*Primary Examiner*—Prabhakar Deshmukh

*Assistant Examiner*—Derrick Holland

(21) Appl. No.: **29/241,130**

(74) *Attorney, Agent, or Firm*—Wood, Herron & Evans,  
L.L.P.

(22) Filed: **Oct. 24, 2005**

(57) **CLAIM**

The ornamental design for a transformer power supply for a gas discharge lamp, as shown and described.

**Related U.S. Application Data**

**DESCRIPTION**

(62) Division of application No. 11/091,350, filed on Mar. 28, 2005.

(51) **LOC (8) Cl.** ..... **13-02**

FIG. 1 is a perspective view of a transformer power supply for a gas discharge lamp, showing our new design.

(52) **U.S. Cl.** ..... **D13/110**

FIG. 2 is elevation view of one end thereof, the elevation view of the opposite end being identical.

(58) **Field of Classification Search** ..... D13/110,  
D13/123, 184; 220/4.02; 361/601, 603, 620,  
361/630, 631, 730  
See application file for complete search history.

FIG. 3 is an elevation view of one side thereof, the elevation view of the opposite side being identical.

(56) **References Cited**

FIG. 4 is a top plan view thereof.

**U.S. PATENT DOCUMENTS**

FIG. 5 is a bottom plan view thereof; and,

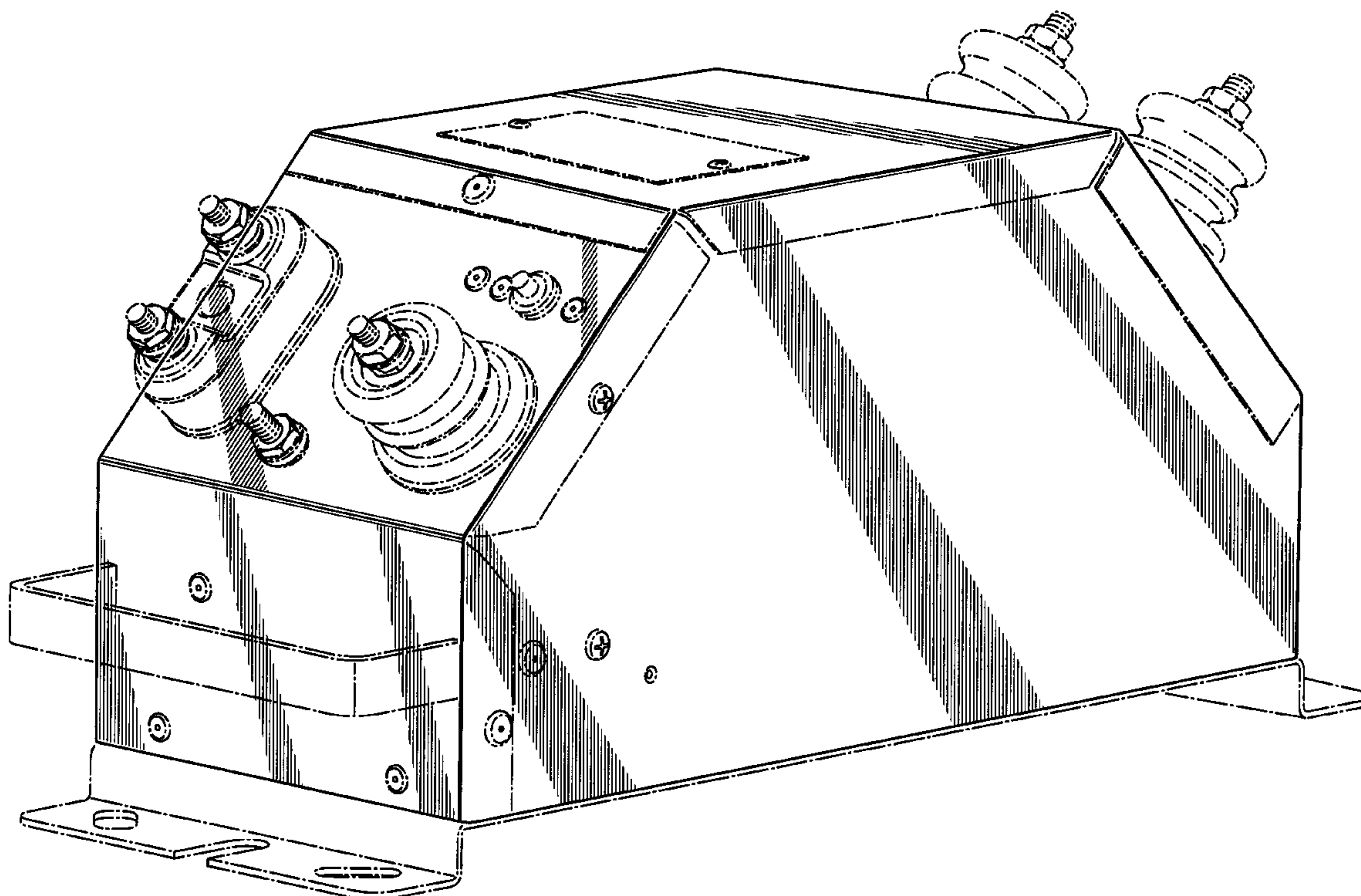
2,325,470 A \* 7/1943 Bonanno et al. .... 336/92

FIG. 6 is another perspective view thereof.

D297,829 S \* 9/1988 Burgher et al. .... D13/110

The phantom lines illustrate environment and form no part of the claimed design.

**1 Claim, 4 Drawing Sheets**



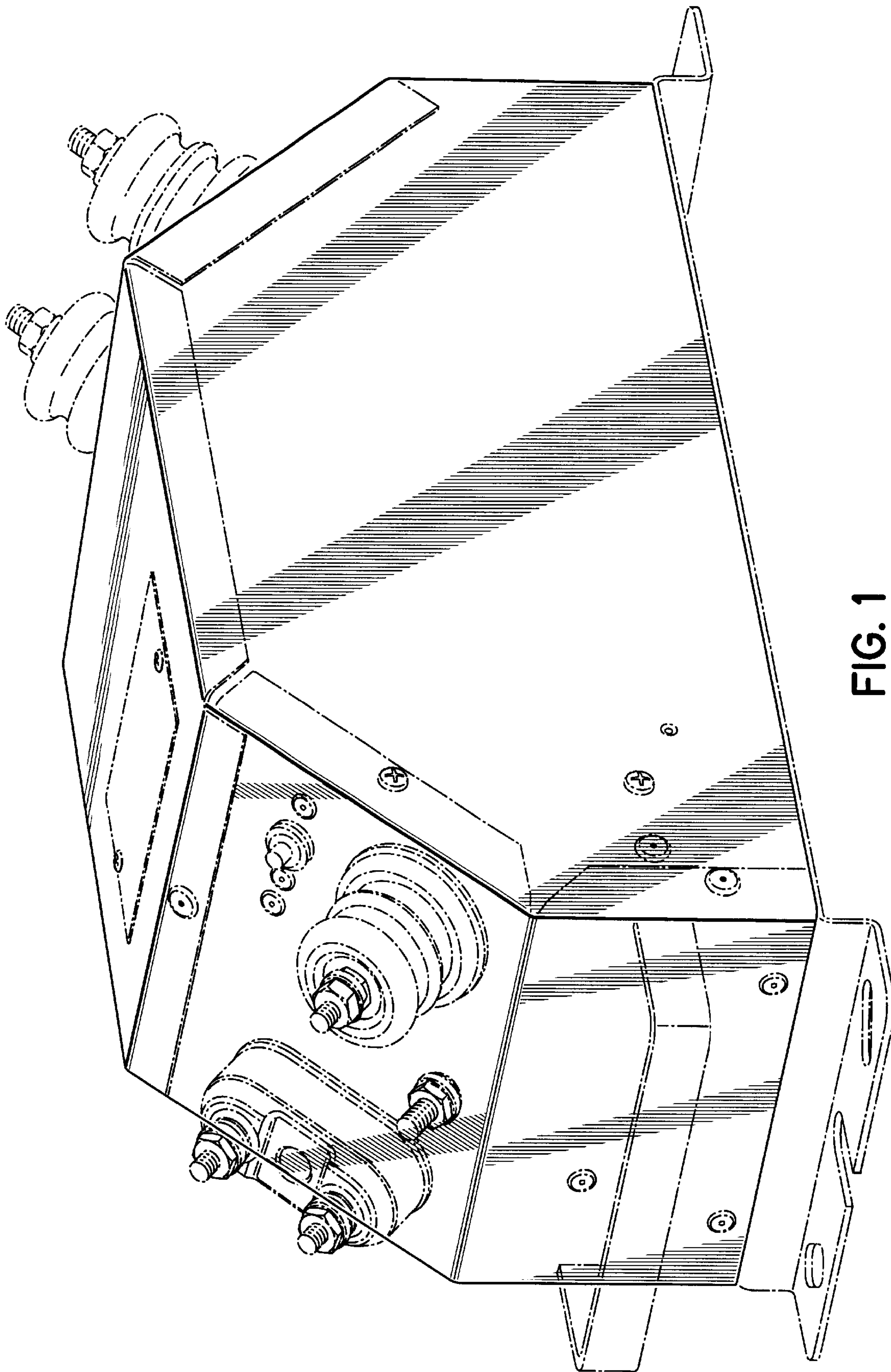


FIG. 1

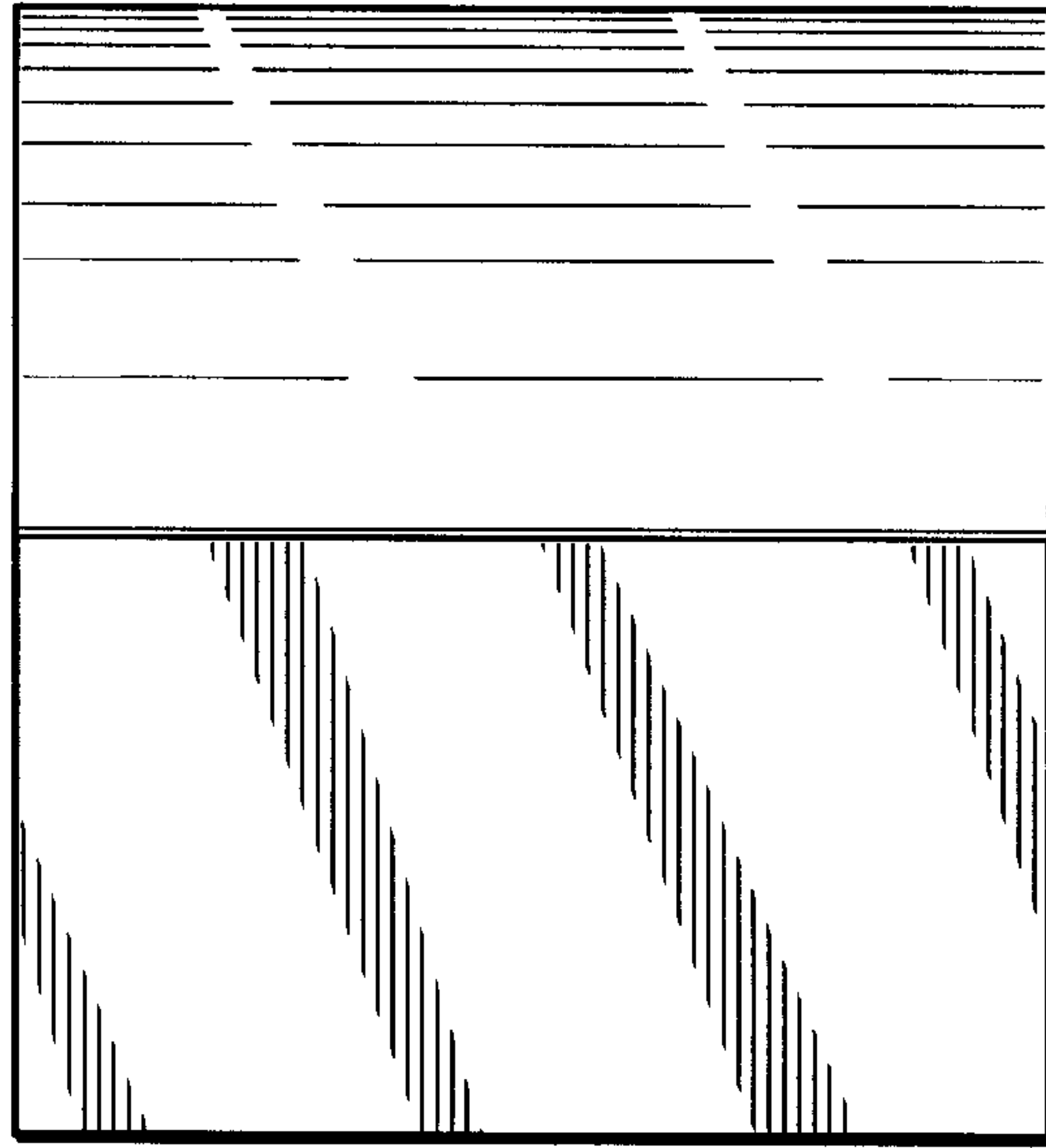


FIG. 2

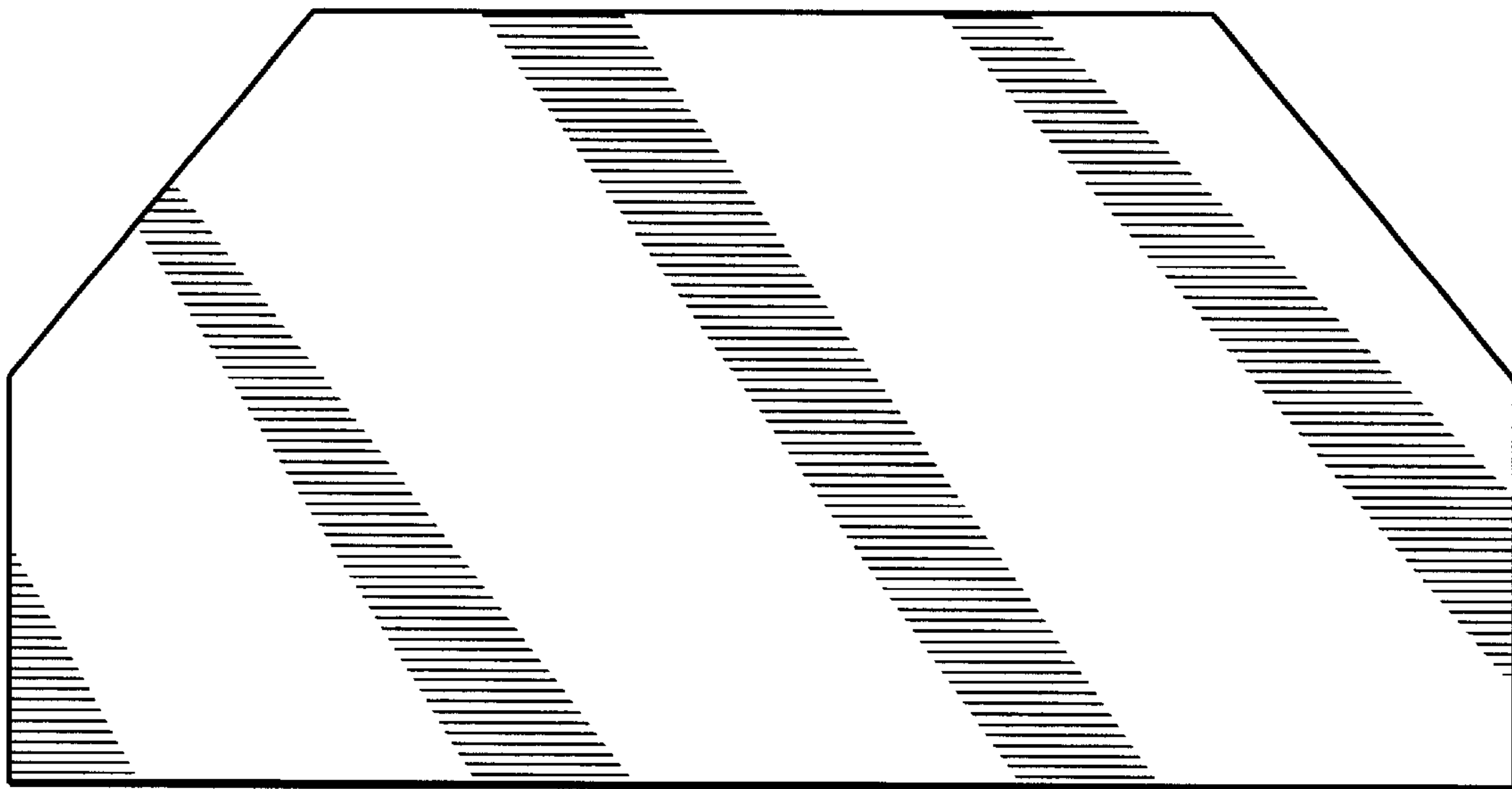


FIG. 3

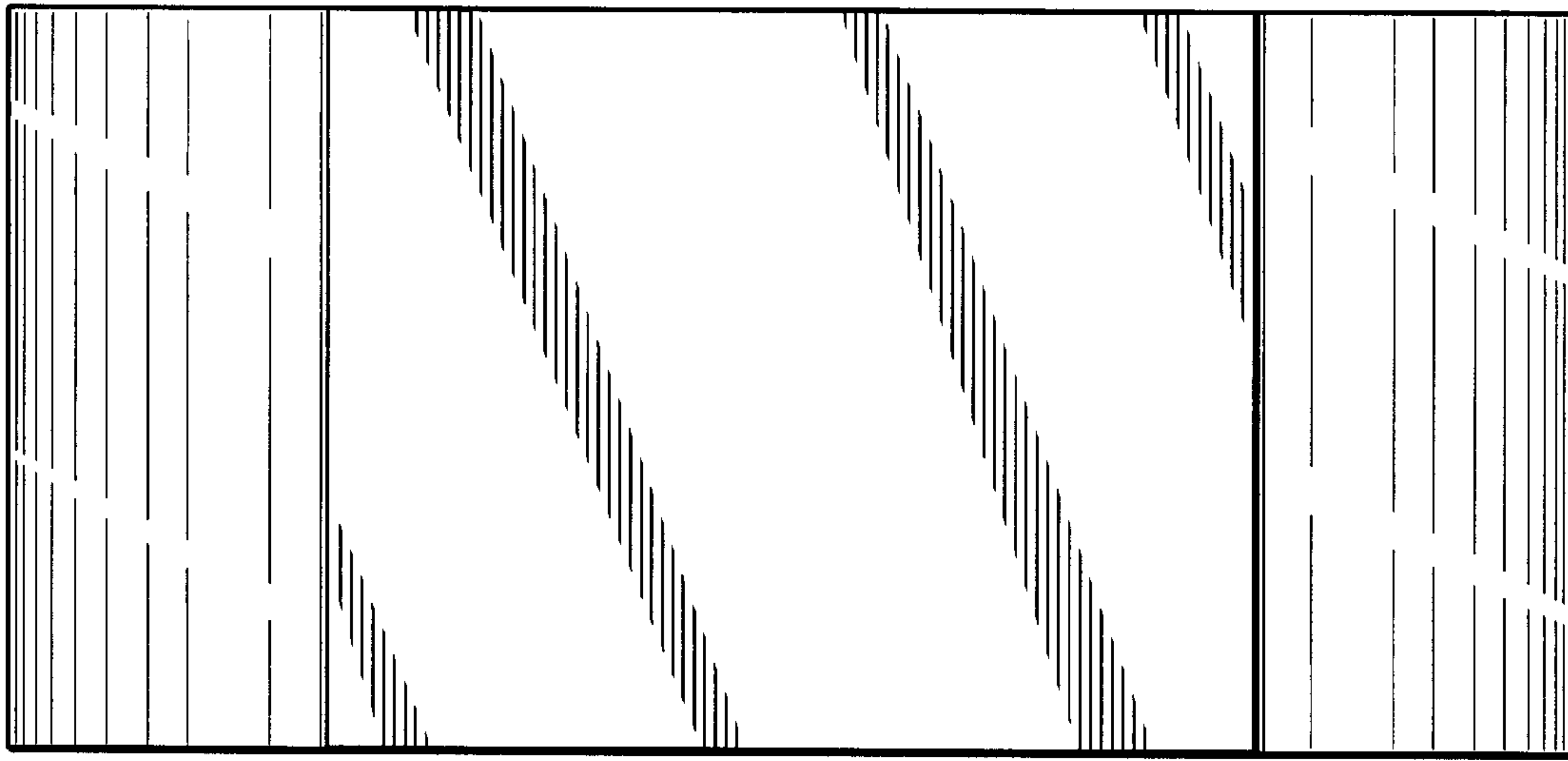


FIG. 4

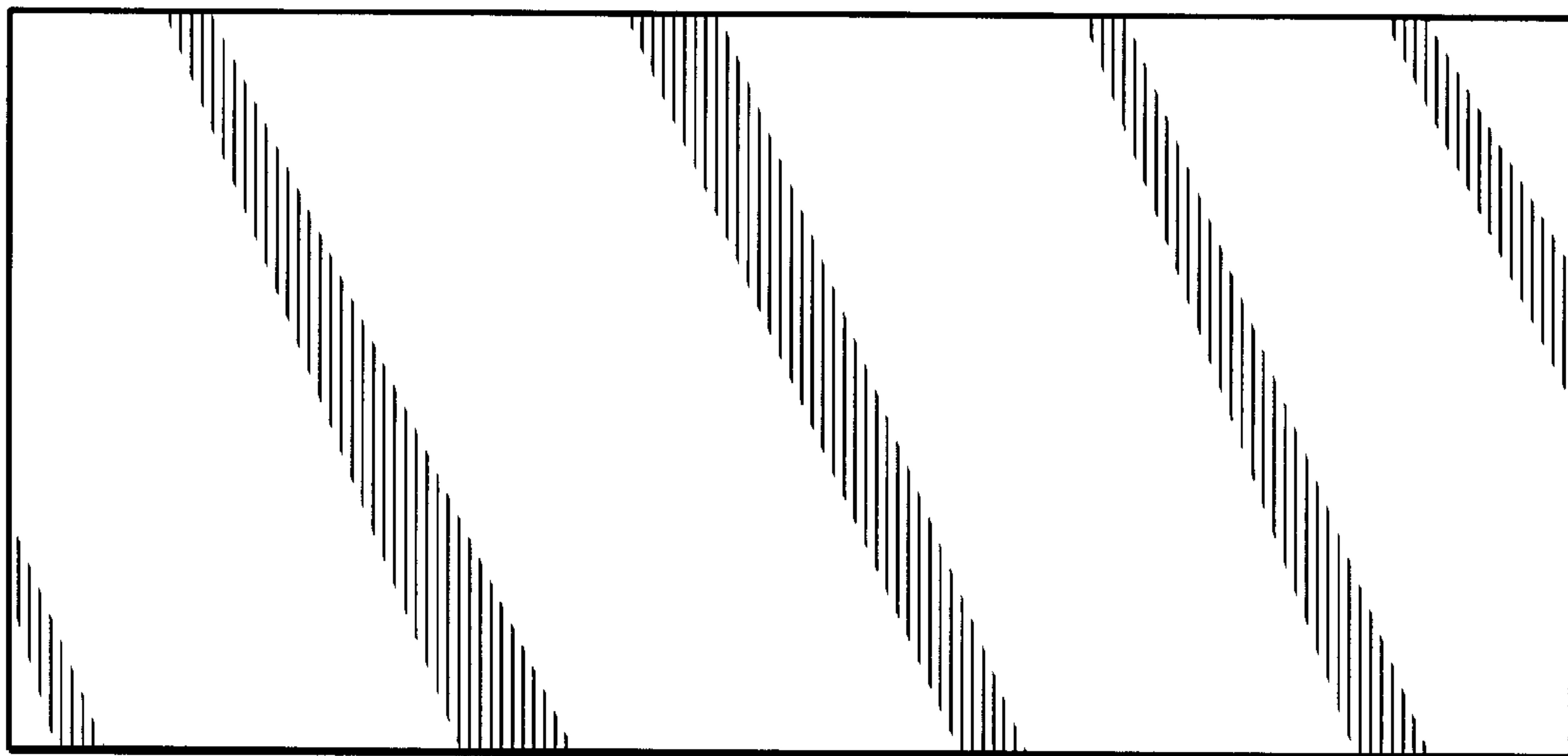


FIG. 5



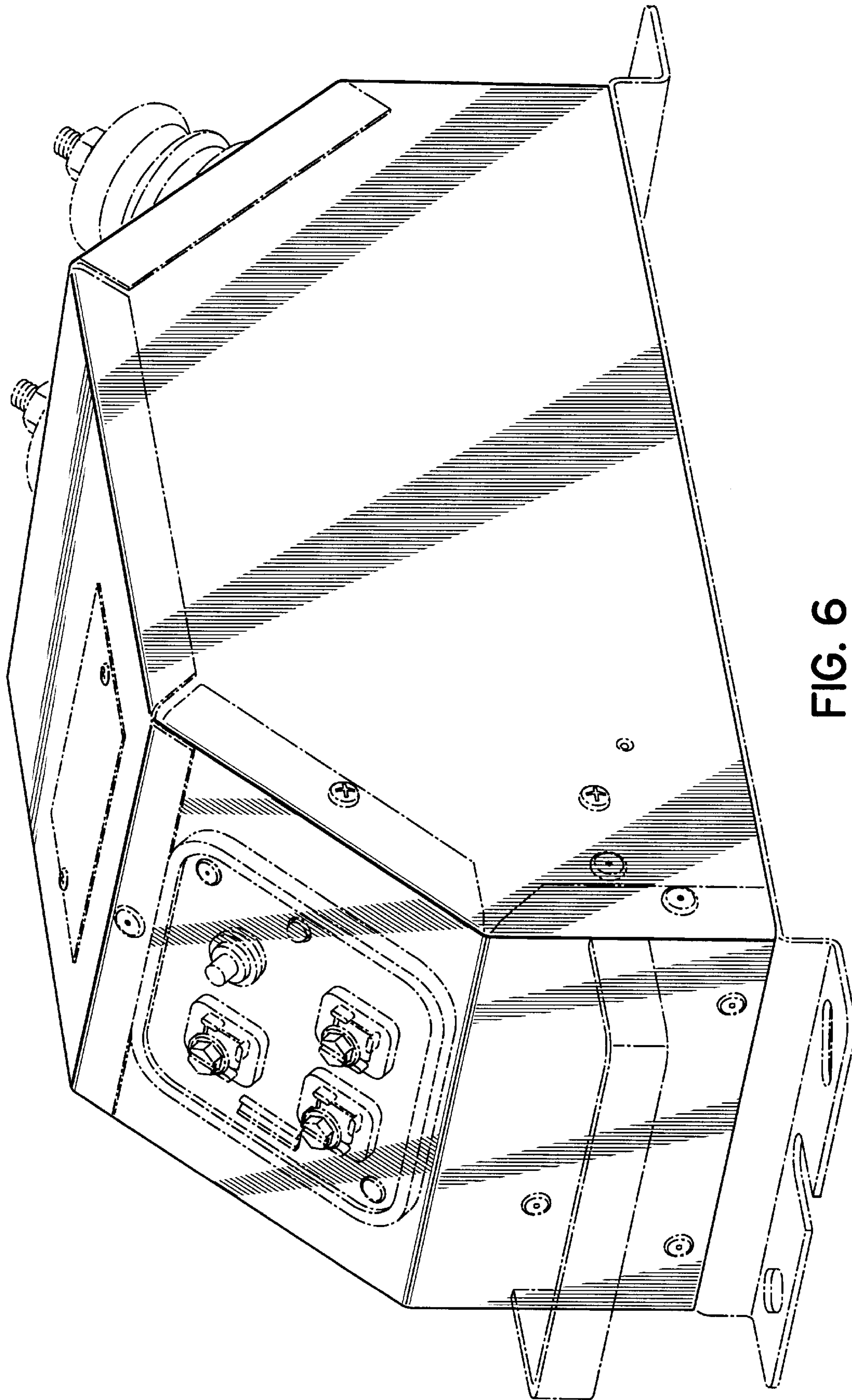


FIG. 6