



US00D538741S

(12) **United States Design Patent**  
**Nanda et al.**

(10) **Patent No.: US D538,741 S**  
(45) **Date of Patent: \*\* Mar. 20, 2007**

(54) **VEHICLE MOUNTABLE INVERTER**

D455,399 S \* 4/2002 Imamura et al. .... D13/110  
D455,714 S \* 4/2002 Kim ..... D13/110

(75) Inventors: **Amar Kant Nanda**, Surrey (CA);  
**Brian Jacob Ulrich**, Lions Bay (CA)

**OTHER PUBLICATIONS**

(73) Assignee: **Xantrex International**, St. Michael  
(BB)

“FX Inverters”; Outback Power Systems Inc.; website <http://www.outbackpower.com/>, date: as early as Jan. 2004.  
“Inverter-Chargers”; Outback Power Systems Inc.; website [http://www.outbackpower.com/FX/fx\\_page.htm](http://www.outbackpower.com/FX/fx_page.htm), date: unknown.

(\*\*) Term: **14 Years**

\* cited by examiner

(21) Appl. No.: **29/219,131**

*Primary Examiner*—Prabhakar Deshmukh  
*Assistant Examiner*—Derrick Holland

(22) Filed: **Dec. 14, 2004**

(30) **Foreign Application Priority Data**

Nov. 29, 2004 (CA) ..... 109248

(57) **CLAIM**

(51) **LOC (8) Cl.** ..... **13-02**

The ornamental design for vehicle mountable inverter, as shown and described.

(52) **U.S. Cl.** ..... **D13/110**

(58) **Field of Classification Search** ..... D13/110,  
D13/101, 112, 122, 123, 162, 184, 199; 307/150,  
307/151, 153; 361/622, 762, 809; 363/144,  
363/175

**DESCRIPTION**

See application file for complete search history.

FIG. 1 is a top plan view of a vehicle mountable inverter, showing our new design;  
FIG. 2 is a bottom view thereof;  
FIG. 3 is a front elevational view thereof;  
FIG. 4 is a rear elevational view thereof;  
FIG. 5 is a left hand side elevational view thereof;  
FIG. 6 is a right hand side elevational view thereof; and,  
FIG. 7 is a perspective view thereof.

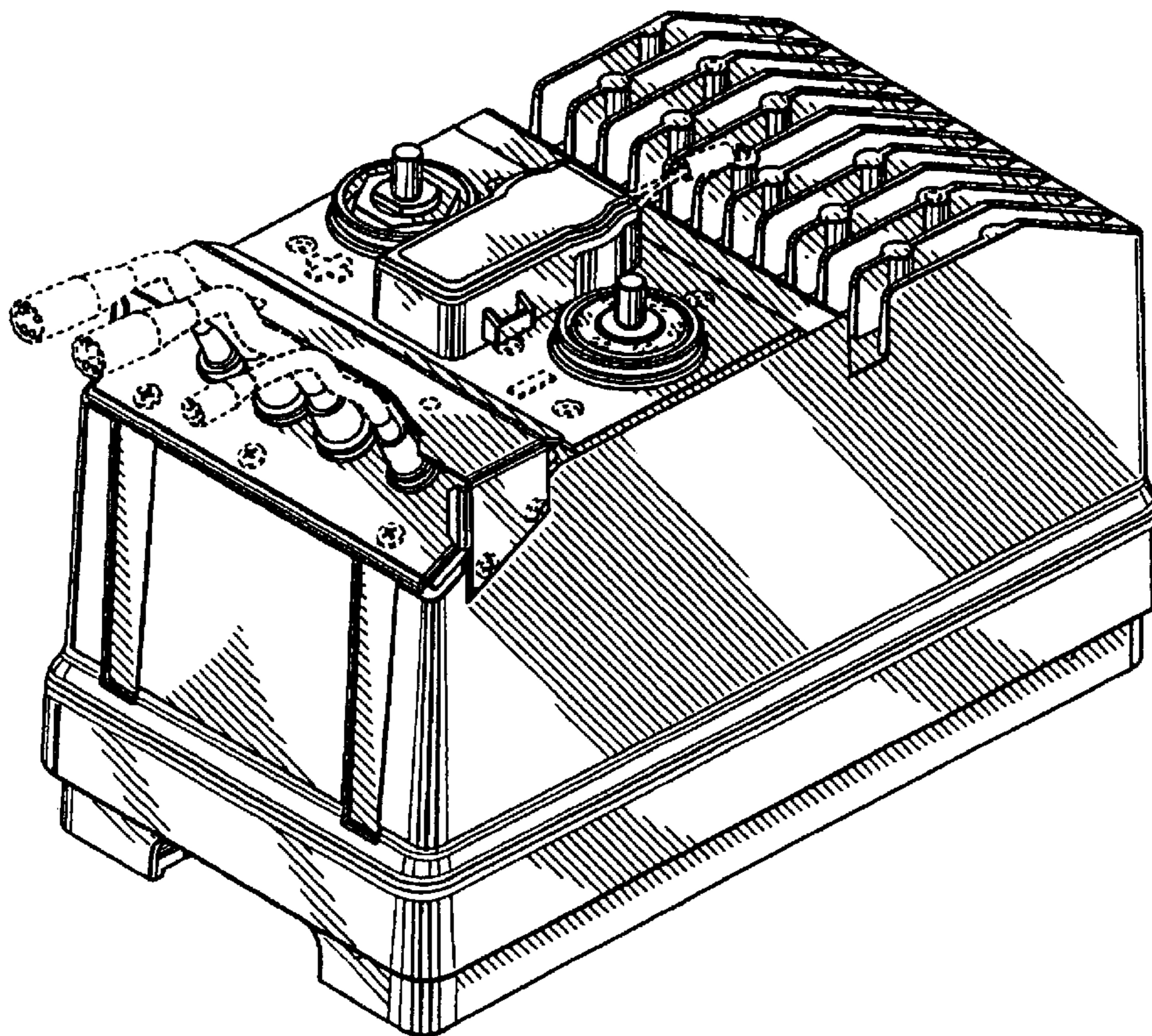
(56) **References Cited**

**U.S. PATENT DOCUMENTS**

D225,013 S \* 10/1972 Stewart ..... D13/164  
D281,315 S \* 11/1985 Kjeld ..... D13/184  
D299,334 S \* 1/1989 Kondo et al. .... D13/110  
D303,371 S \* 9/1989 Kondo et al. .... D13/110  
D372,017 S \* 7/1996 Suematsu et al. .... D13/110  
5,610,493 A \* 3/1997 Wieloch ..... 318/801

The broken line showing of a vehicle mountable inverter is for illustrative purposes only and forms no part of the claimed design.

**1 Claim, 6 Drawing Sheets**



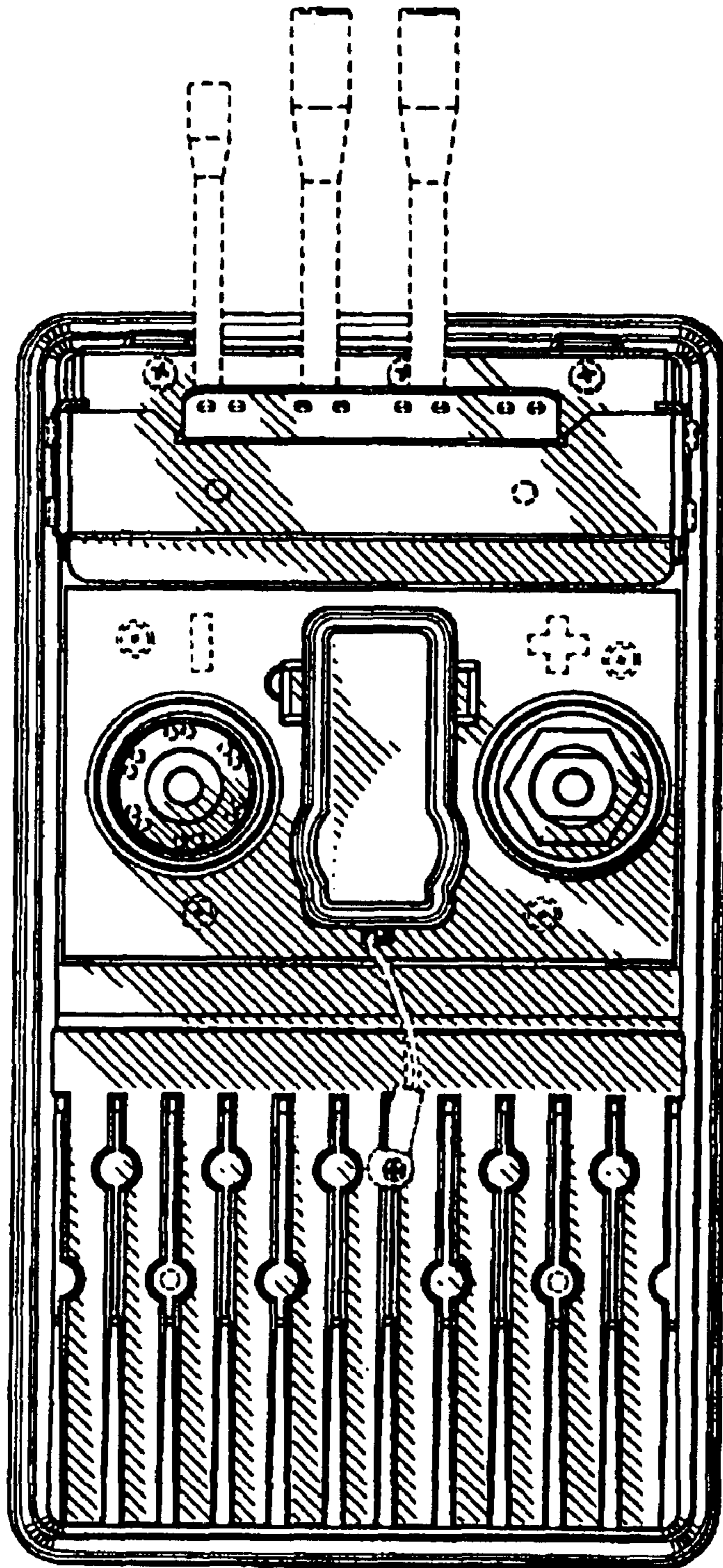


FIG. 1

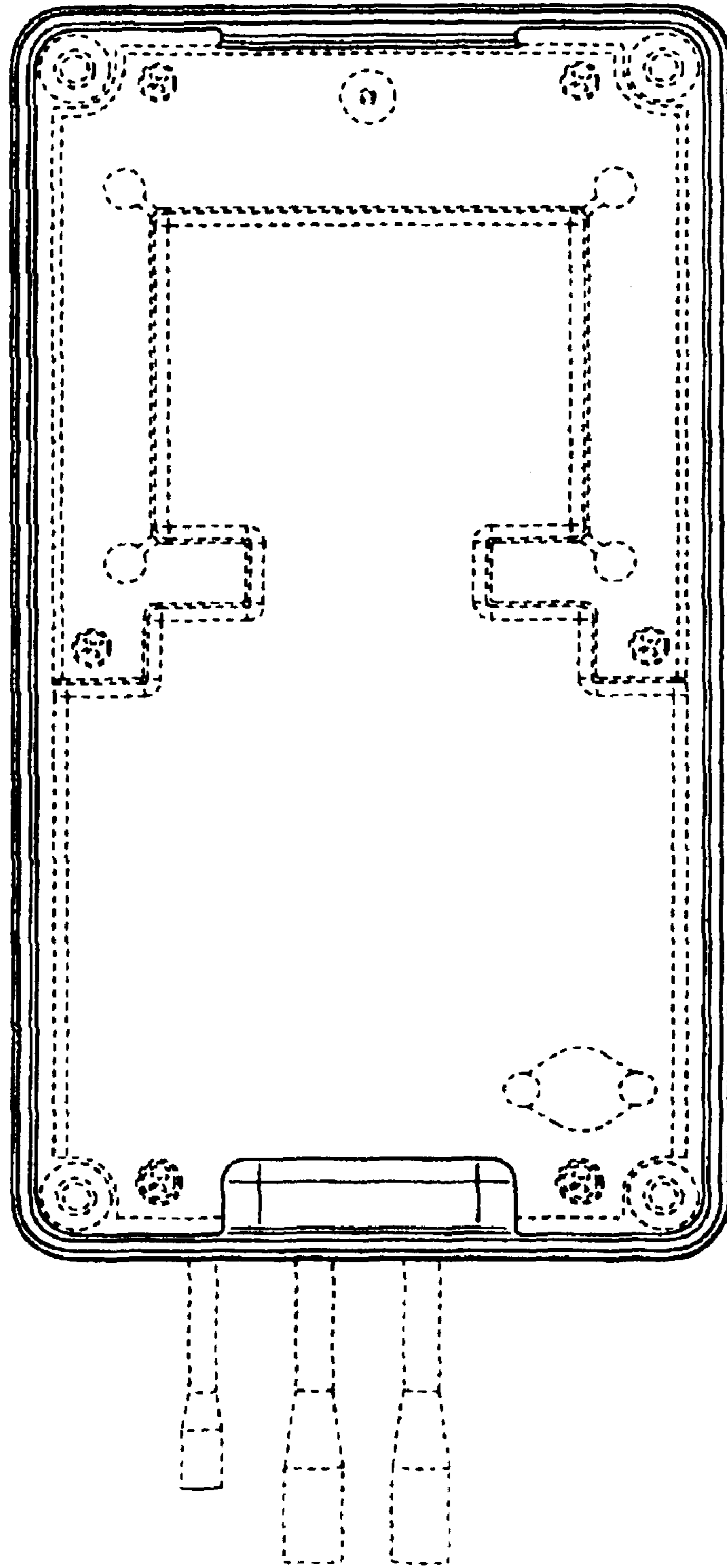
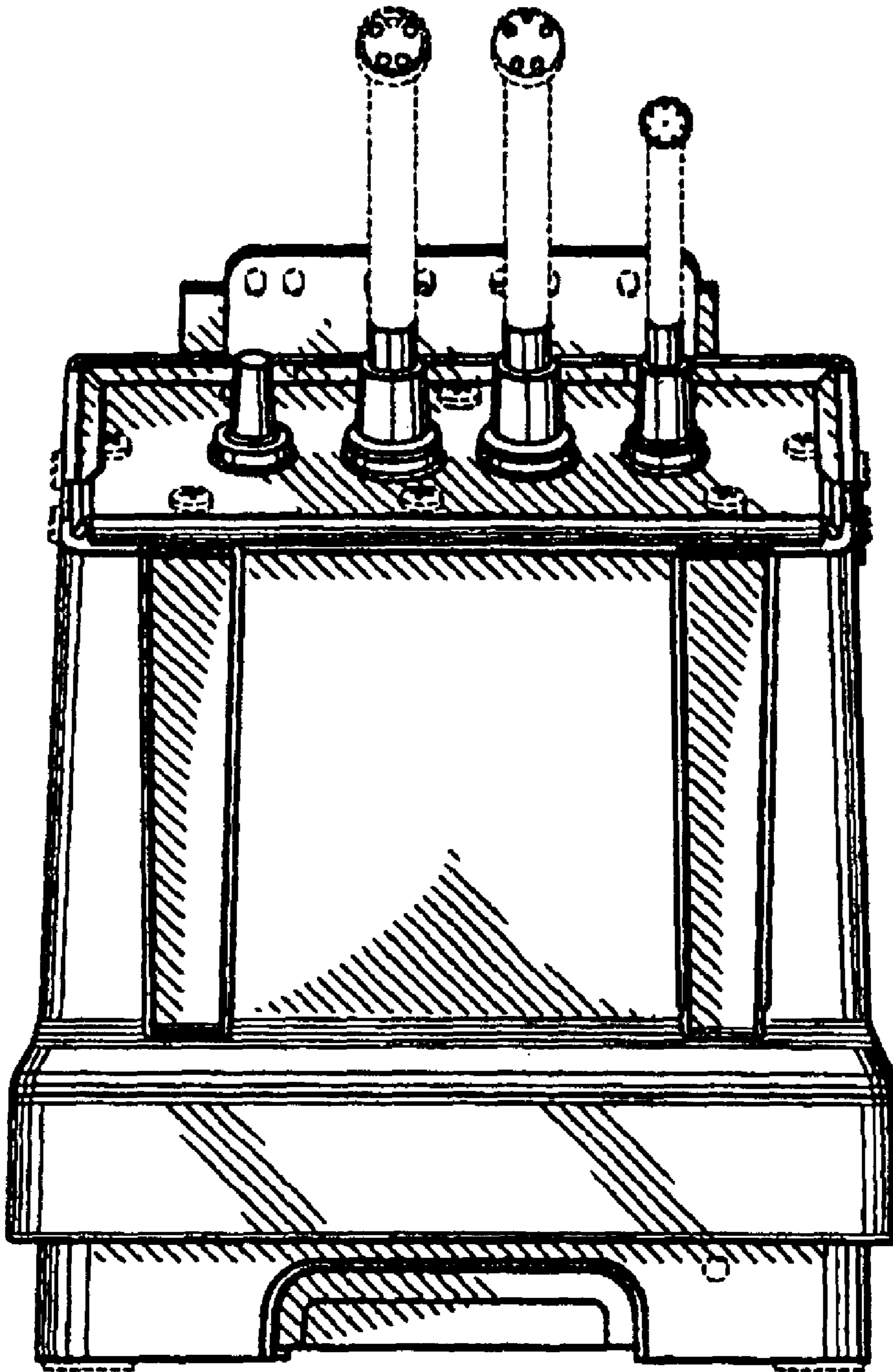
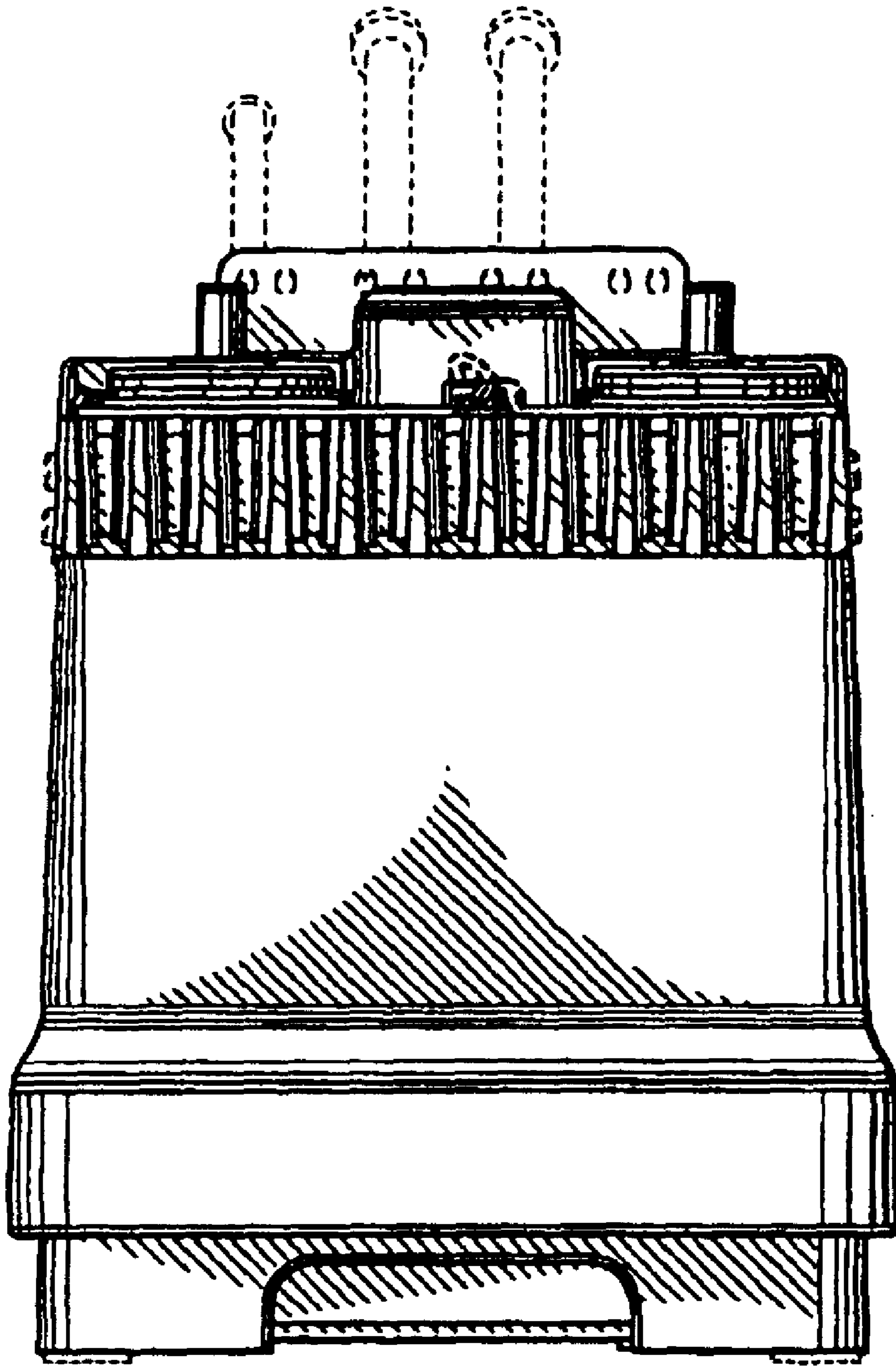


FIG .2



**FIG. 3**



**FIG. 4**

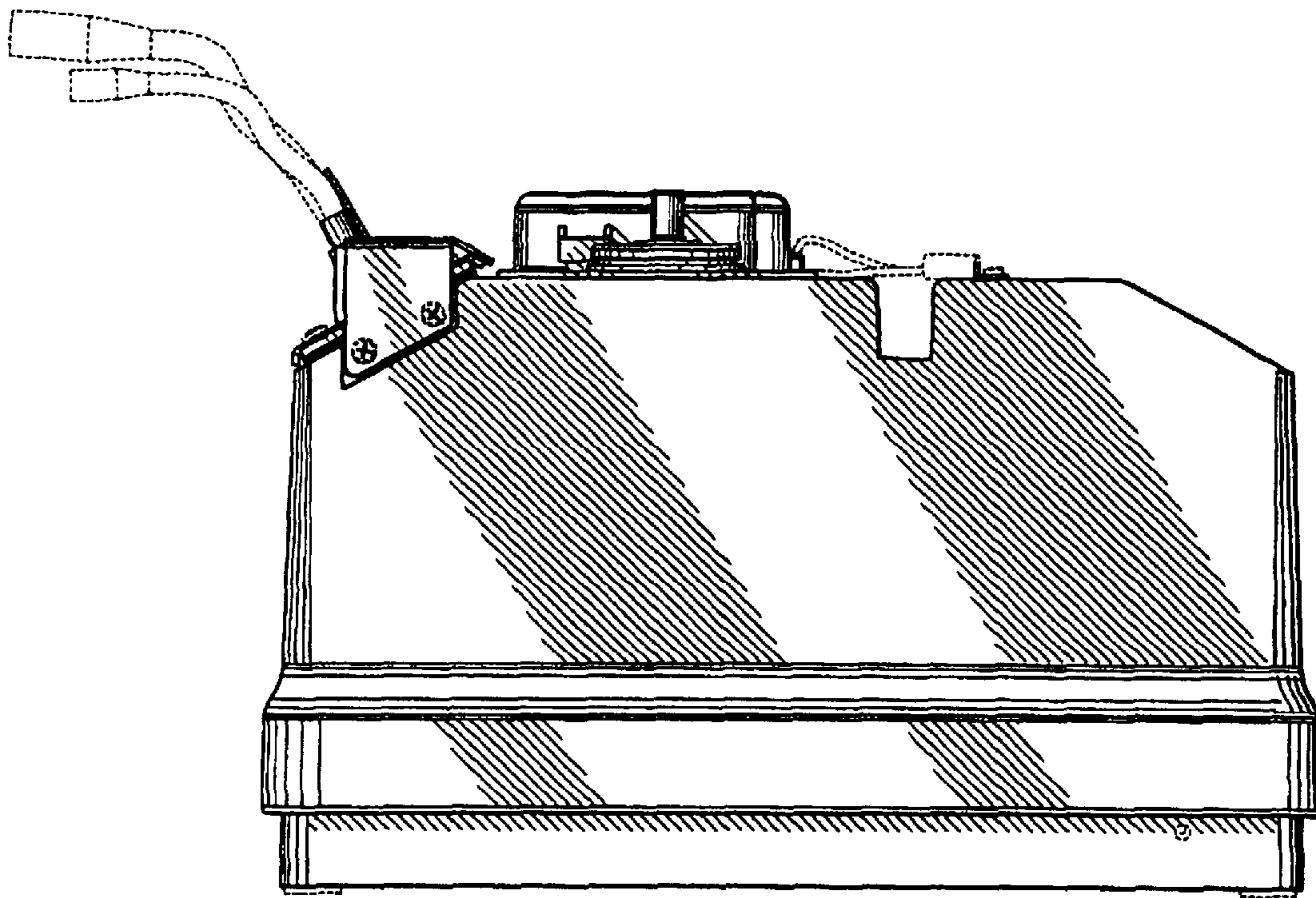


FIG. 5

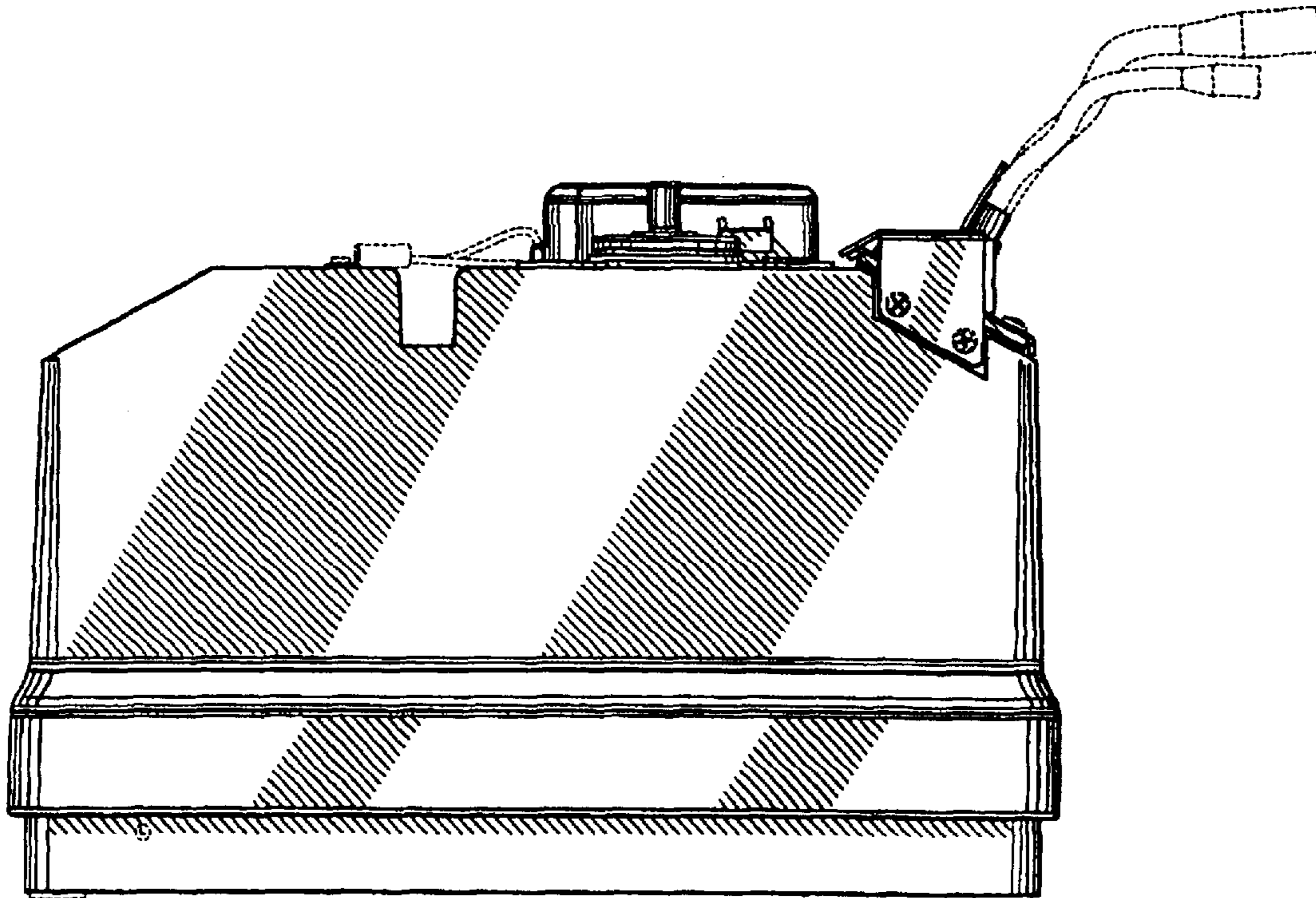
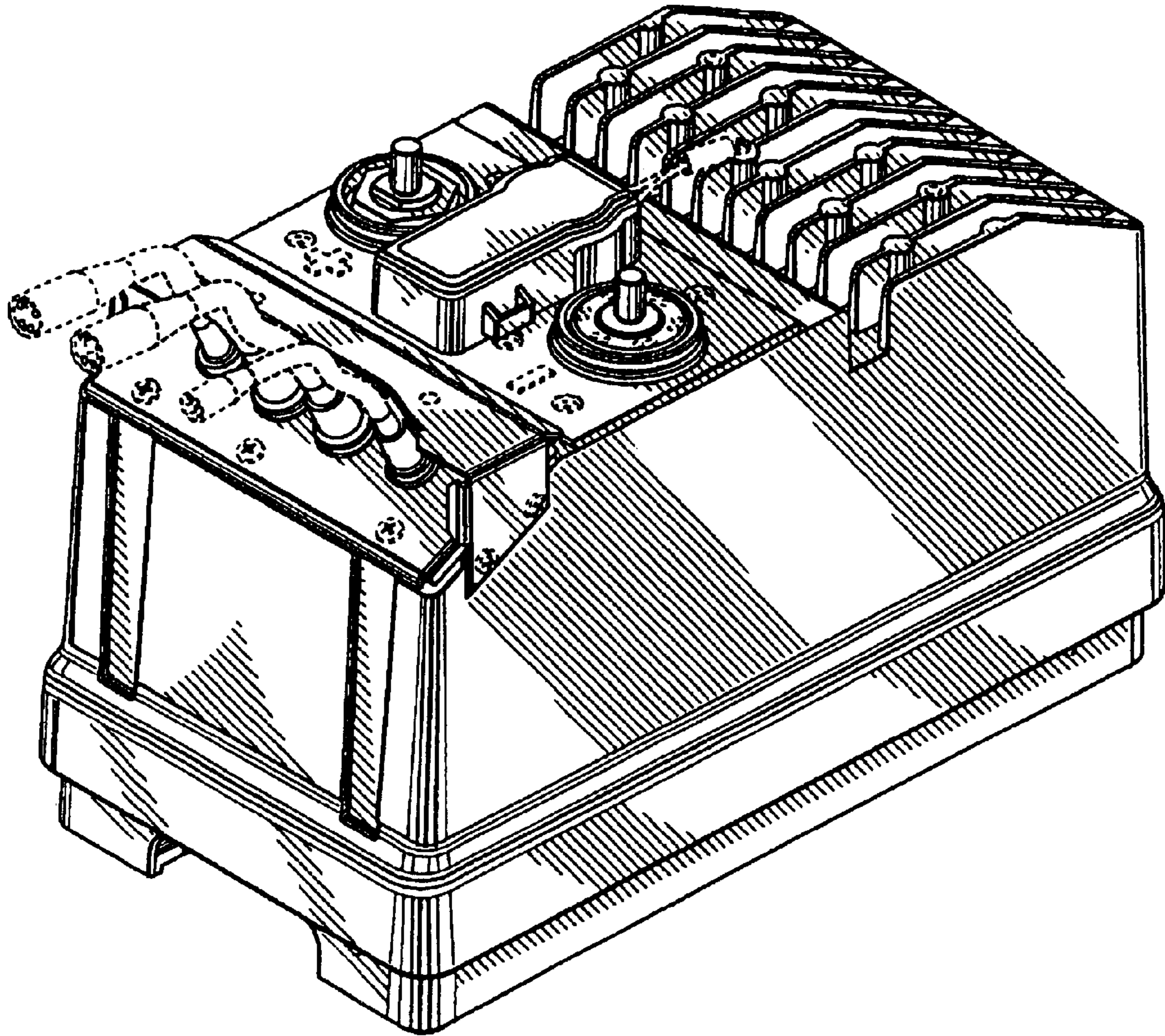


FIG. 6



**FIG.7**