



US00D538740S

(12) **United States Design Patent**
Dunbar

(10) **Patent No.:** **US D538,740 S**

(45) **Date of Patent:** **** Mar. 20, 2007**

(54) **CHARGING STAND FOR CELLULAR PHONES, PDA'S AND CORDLESS RAZORS**

(76) Inventor: **Lee W. Dunbar**, 611 Fairlawn Ave.,
Libertyville, IL (US) 60048

(**) Term: **14 Years**

(21) Appl. No.: **29/226,203**

(22) Filed: **Mar. 25, 2005**

(51) **LOC (8) Cl.** **13-02**

(52) **U.S. Cl.** **D13/108**

(58) **Field of Classification Search** D13/107-110,
D13/118-119, 184; D14/251, 253, 432, 434;
320/107-115; 455/573

See application file for complete search history.

(56) **References Cited**

U.S. PATENT DOCUMENTS

D241,555 S	*	9/1976	Goldman et al.	D13/107
D277,662 S	*	2/1985	Huntington et al.	D13/107
D278,426 S	*	4/1985	Lanci et al.	D13/107
D323,504 S	*	1/1992	Langton	D14/142
D344,708 S	*	3/1994	Ho	D13/108
D389,799 S	*	1/1998	Somers	D13/107
D445,087 S	*	7/2001	Skoger et al.	D13/108

D487,897 S	*	3/2004	Huang et al.	D14/434
D489,323 S	*	5/2004	Yoshida	D13/108
D489,325 S	*	5/2004	Nakamura	D13/110
D507,526 S	*	7/2005	Ohta	D13/108
D520,943 S	*	5/2006	Imai	D13/108
2004/0080298 A1	*	4/2004	Maggert et al.	320/107

* cited by examiner

Primary Examiner—Alan P. Douglas

Assistant Examiner—Rosemary K. Tarcza

(74) *Attorney, Agent, or Firm*—Raymond N. Ervin, Ltd.

(57) **CLAIM**

The ornamental design for a charging stand for cellular phones, PDA's and cordless razors, as shown and described.

DESCRIPTION

FIG. 1 is a front perspective view showing a three place embodiment of the design for a charging stand for cellular phones, PDA's and cordless razors;

FIG. 2 is a front side elevational view thereof;

FIG. 3 is a rear side elevational view thereof;

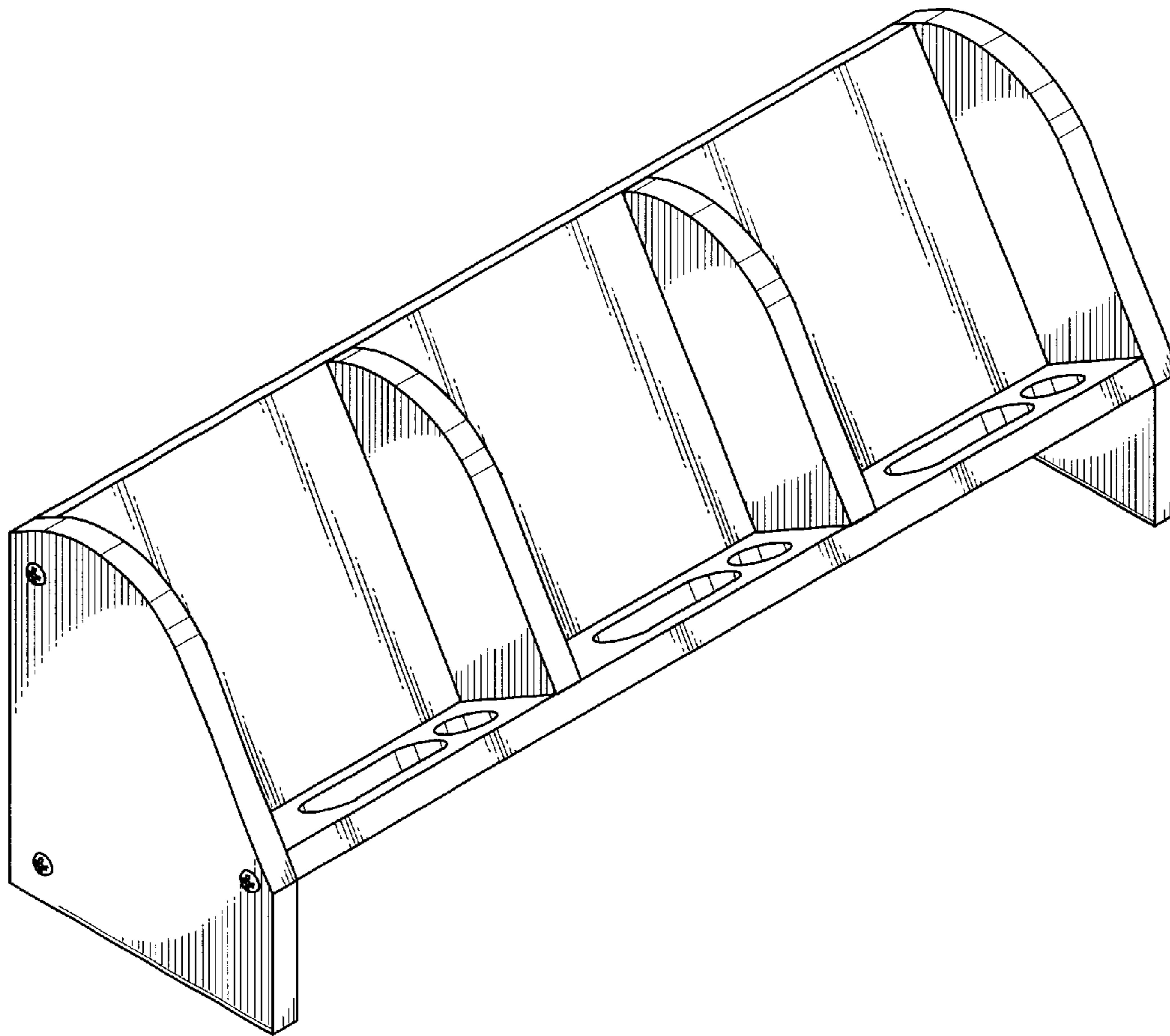
FIG. 4 is a left side elevational view thereof;

FIG. 5 is a right side elevational view thereof;

FIG. 6 is a top plan view thereof; and,

FIG. 7 is a bottom plan view thereof.

1 Claim, 4 Drawing Sheets



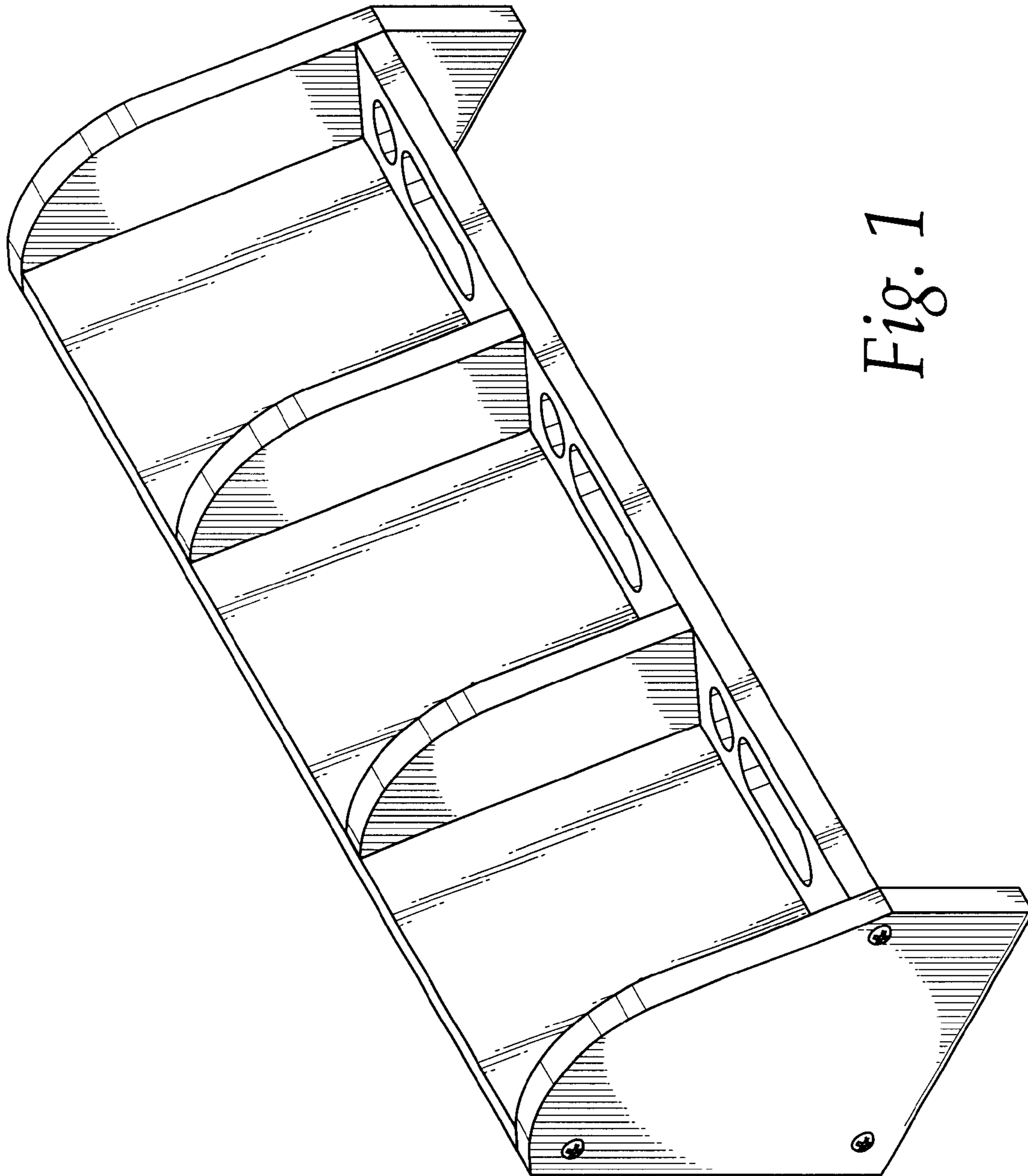


Fig. 1

Fig. 2

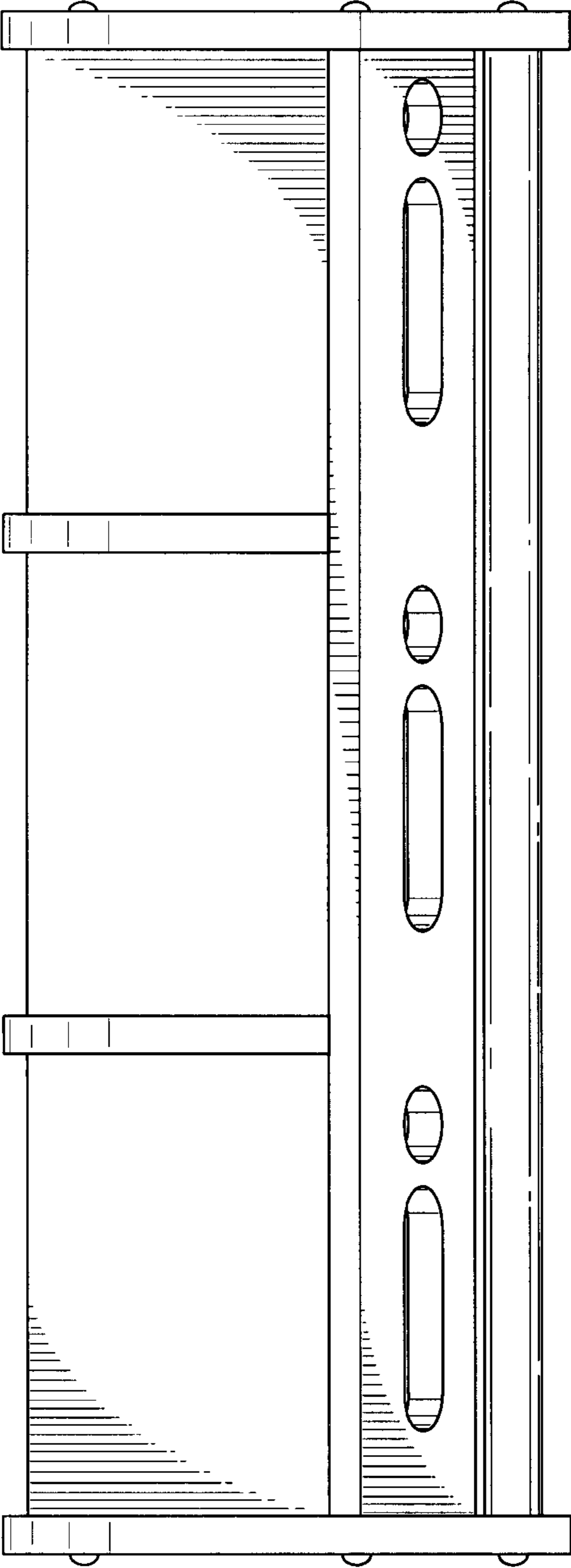
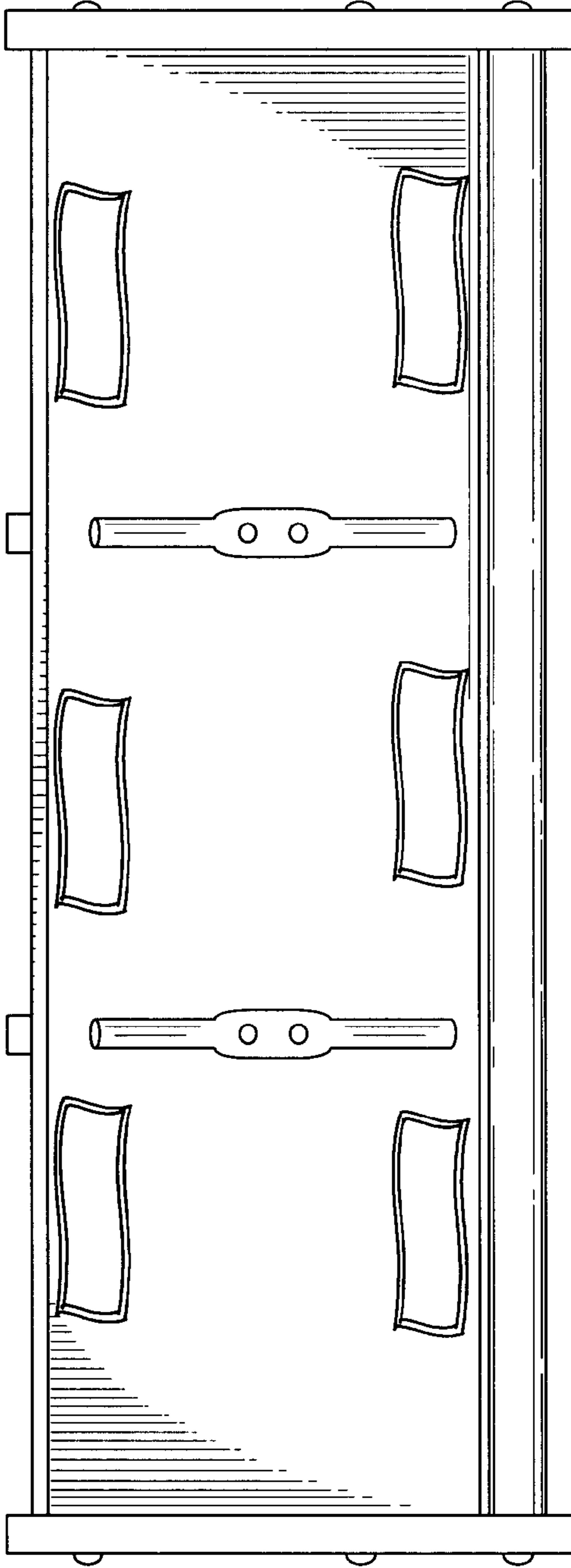


Fig. 3



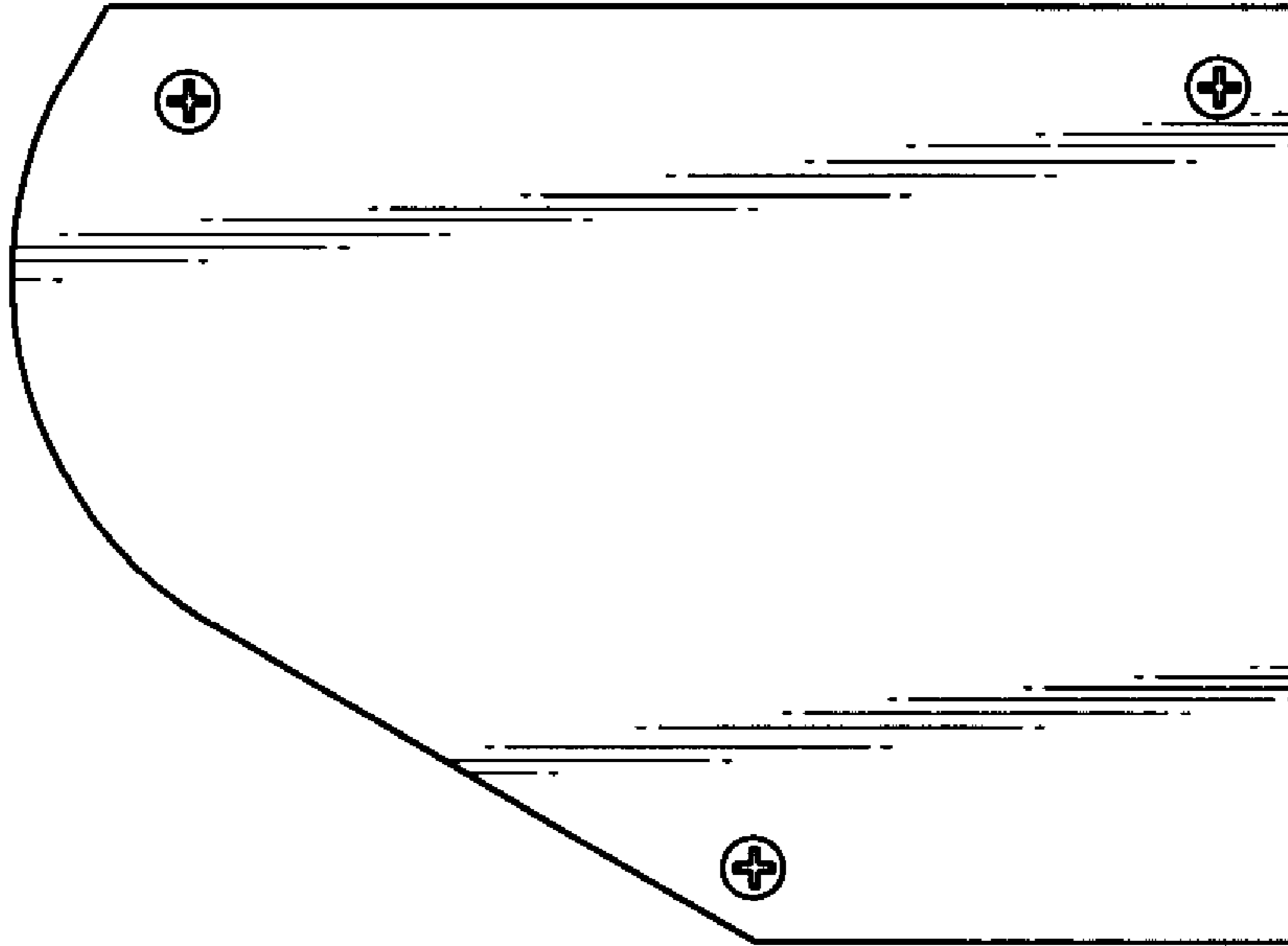


Fig. 5

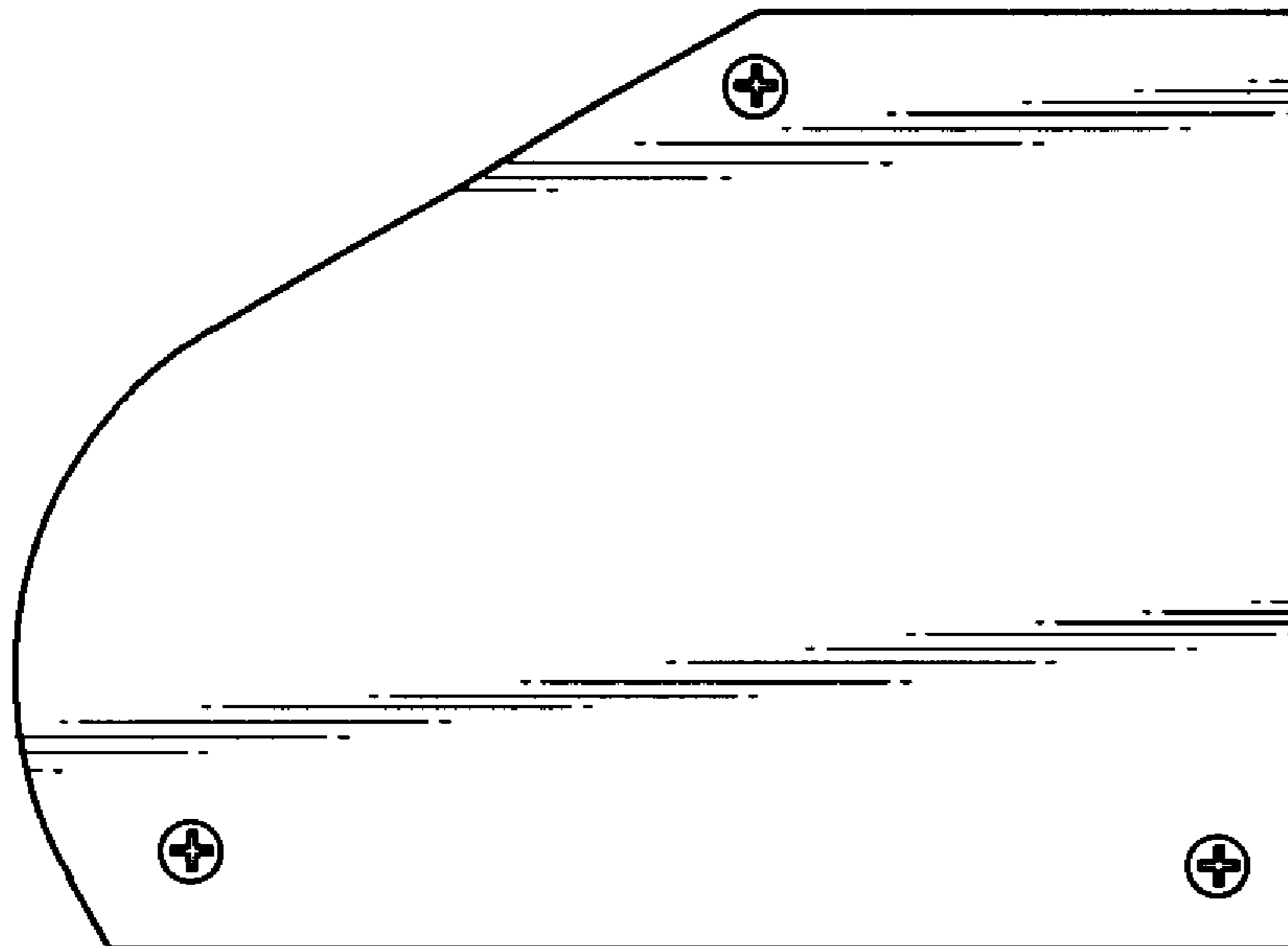


Fig. 4

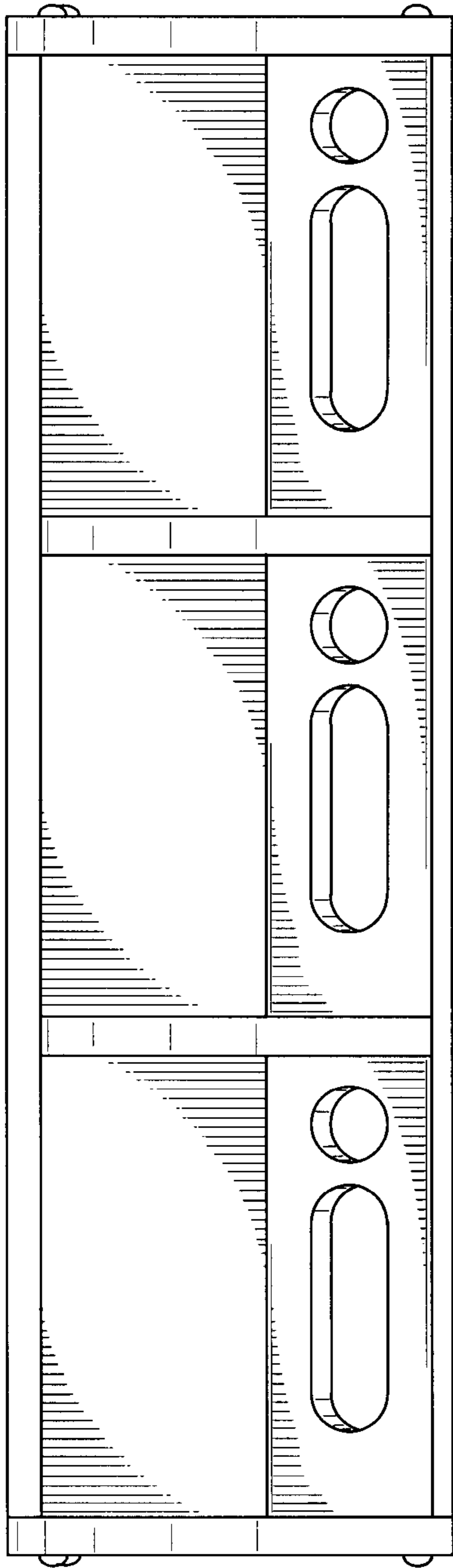


Fig. 6

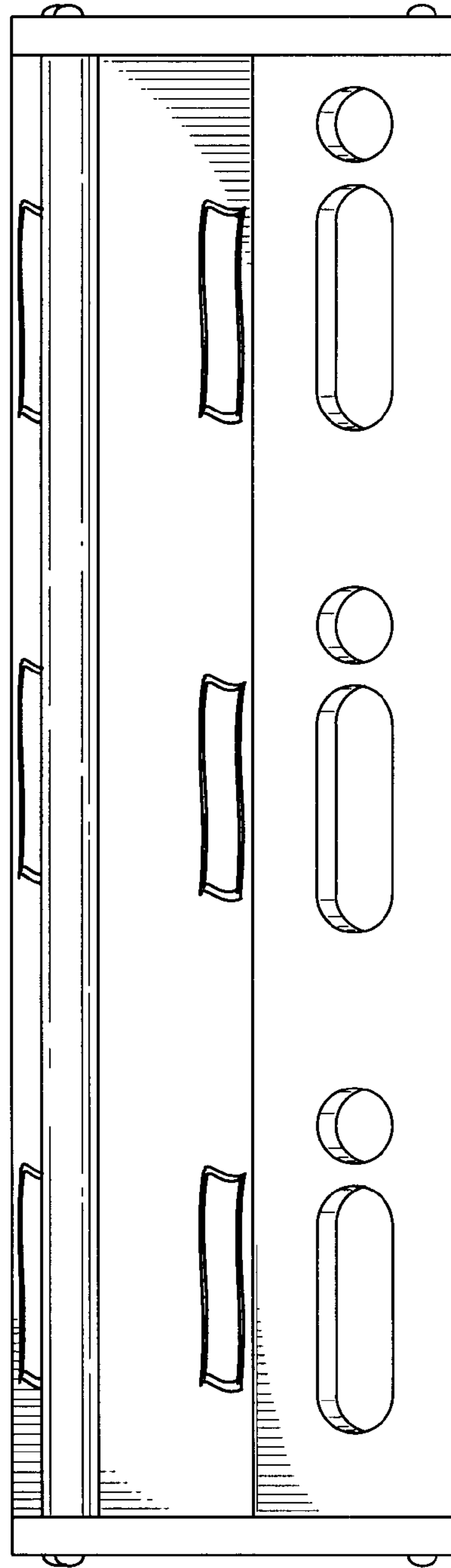


Fig. 7