



US00D538739S

(12) **United States Design Patent**  
**Zheng**

(10) **Patent No.:** **US D538,739 S**

(45) **Date of Patent:** **\*\* Mar. 20, 2007**

(54) **BATTERY CHARGER**

(76) **Inventor:** **Li Zheng**, 515 Kwong Sang Hong  
Centre, 151-153 Hoi Bun Road, Kwun  
Tong, Kowloon (HK)

(\*\*) **Term:** **14 Years**

(21) **Appl. No.:** **29/220,626**

(22) **Filed:** **Jan. 5, 2005**

(51) **LOC (8) Cl.** ..... **13-02**

(52) **U.S. Cl.** ..... **D13/107**

(58) **Field of Classification Search** ..... D13/106-110,  
D13/118, 184; 320/103-105, 107-115  
See application file for complete search history.

(56) **References Cited**

**U.S. PATENT DOCUMENTS**

D292,696 S	*	11/1987	Sahli	.....	D13/106
5,982,138 A	*	11/1999	Krieger	.....	320/105
D464,619 S	*	10/2002	Krieger et al.	.....	D13/110
D464,935 S	*	10/2002	Krieger et al.	.....	D13/110
D483,326 S	*	12/2003	Krieger et al.	.....	D13/107
D486,446 S	*	2/2004	Hriscu et al.	.....	D13/110
D491,139 S	*	6/2004	Krieger et al.	.....	D13/107

D493,421 S	*	7/2004	Krieger et al.	.....	D13/107
D493,770 S	*	8/2004	Krieger et al.	.....	D13/107
D503,148 S	*	3/2005	Krieger et al.	.....	D13/107
D506,724 S	*	6/2005	Hriscu et al.	.....	D13/107
D506,975 S	*	7/2005	Krieger et al.	.....	D13/107
D511,491 S	*	11/2005	Hriscu et al.	.....	D13/107

\* cited by examiner

*Primary Examiner*—Alan P. Douglas

*Assistant Examiner*—Rosemary K. Tarcza

(74) *Attorney, Agent, or Firm*—Rabin & Berdo, P.C.

(57) **CLAIM**

The ornamental design for battery charger, as shown and described.

**DESCRIPTION**

FIG. 1 is a perspective view of battery charger showing my new design;

FIG. 2 is a front view thereof;

FIG. 3 is a rear view thereof;

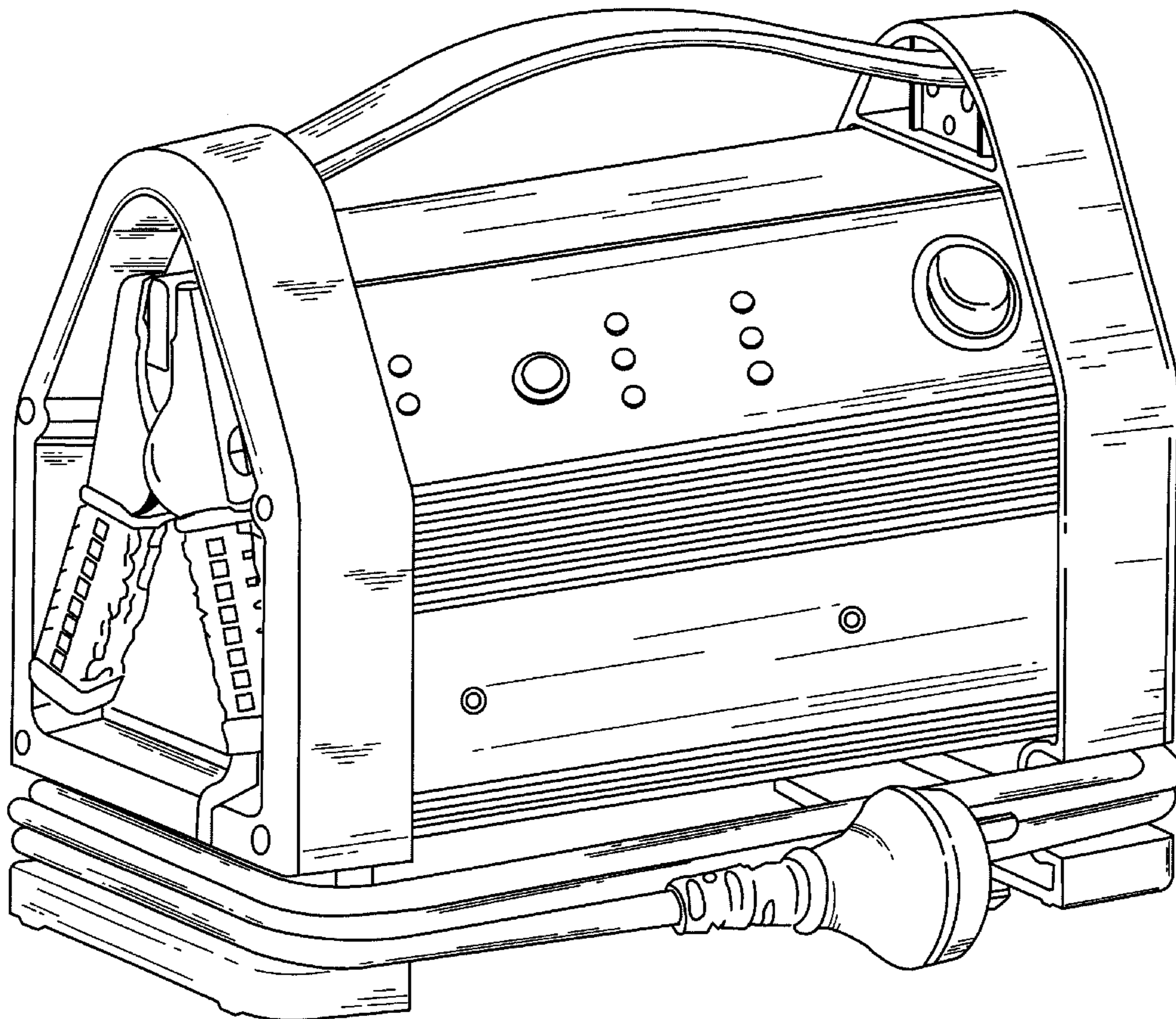
FIG. 4 is a top view thereof;

FIG. 5 is a bottom view thereof;

FIG. 6 is a left side view thereof; and,

FIG. 7 is a right side view thereof.

**1 Claim, 7 Drawing Sheets**



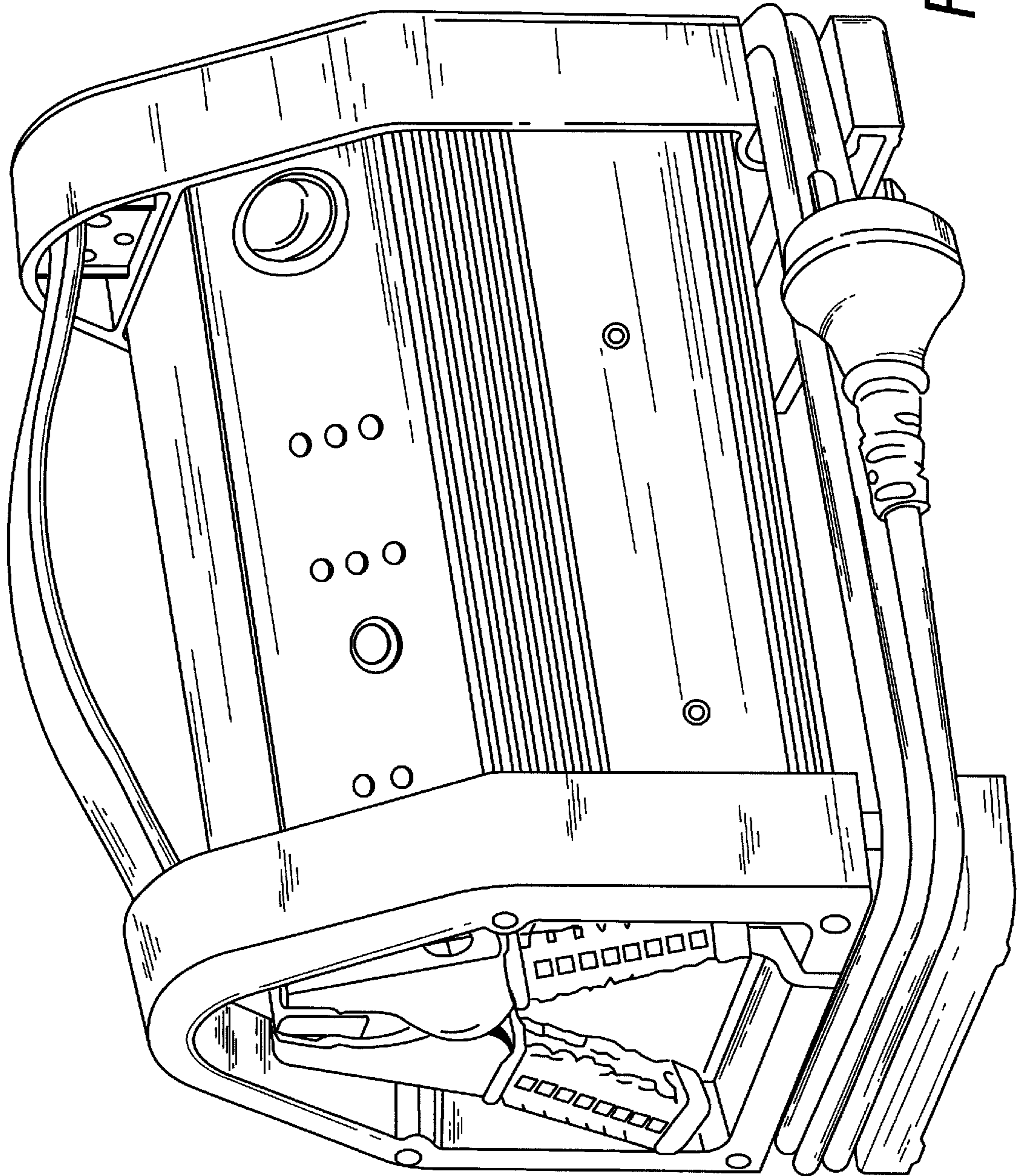


Fig. 1

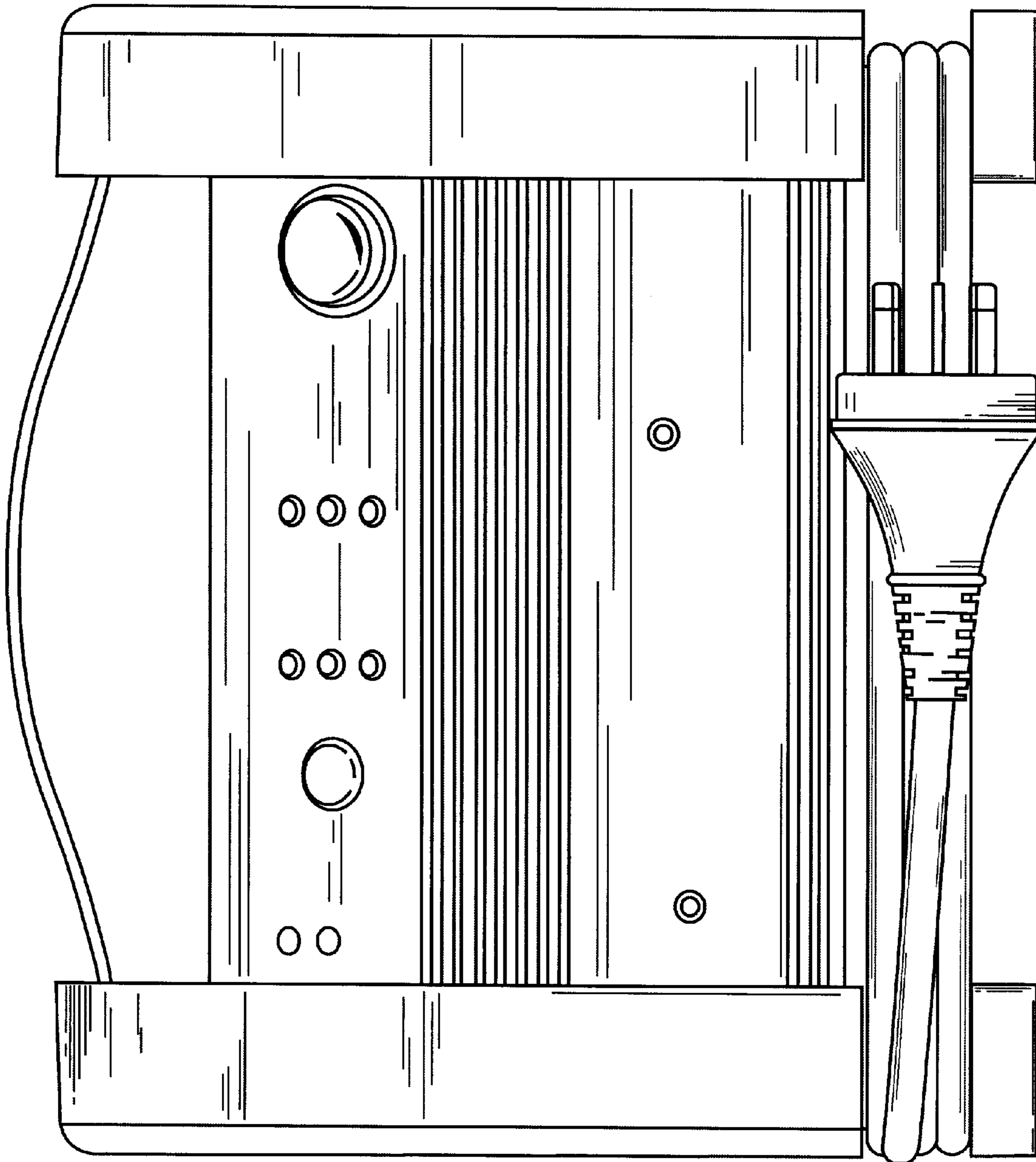
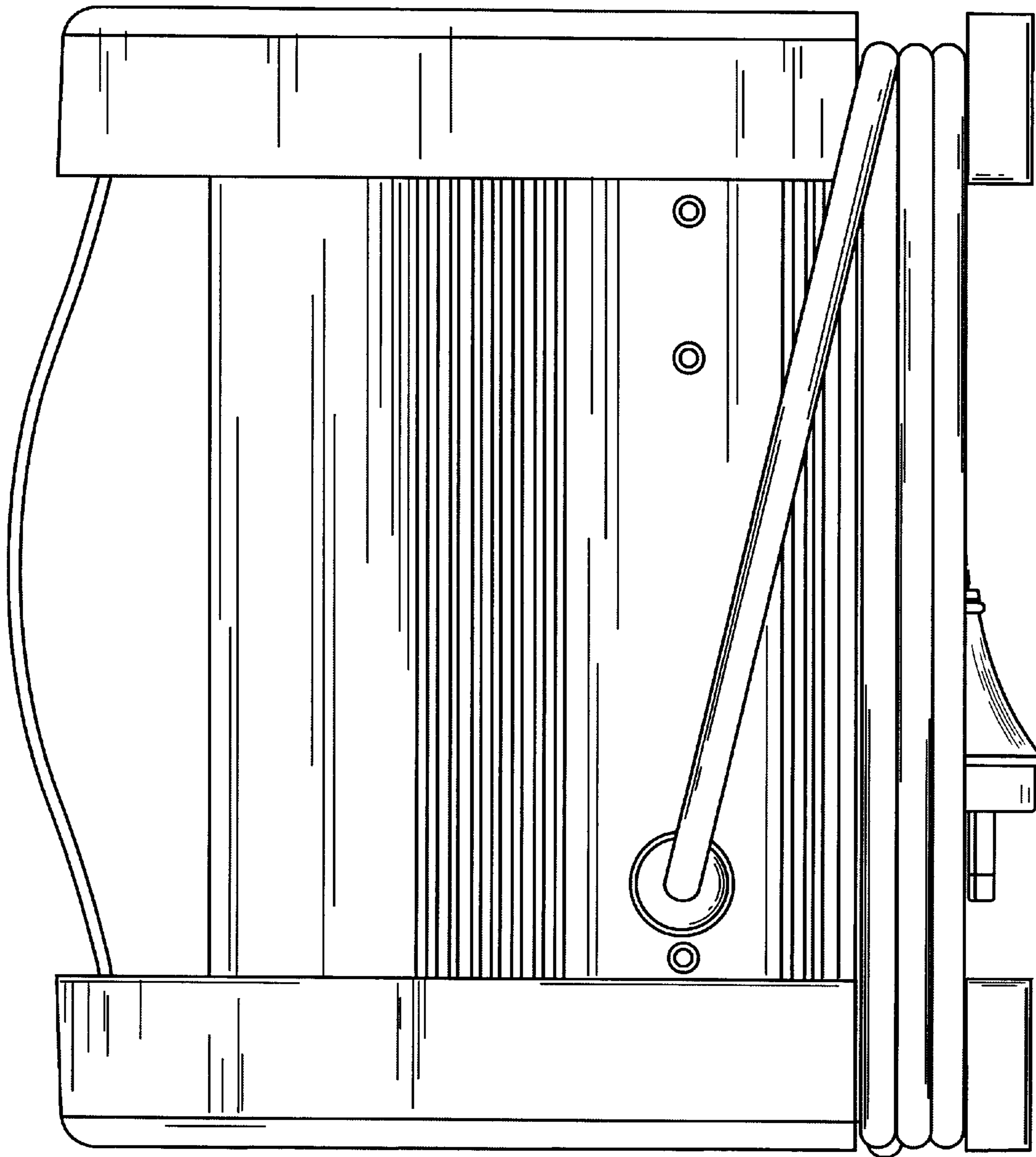


Fig. 2

Fig. 3



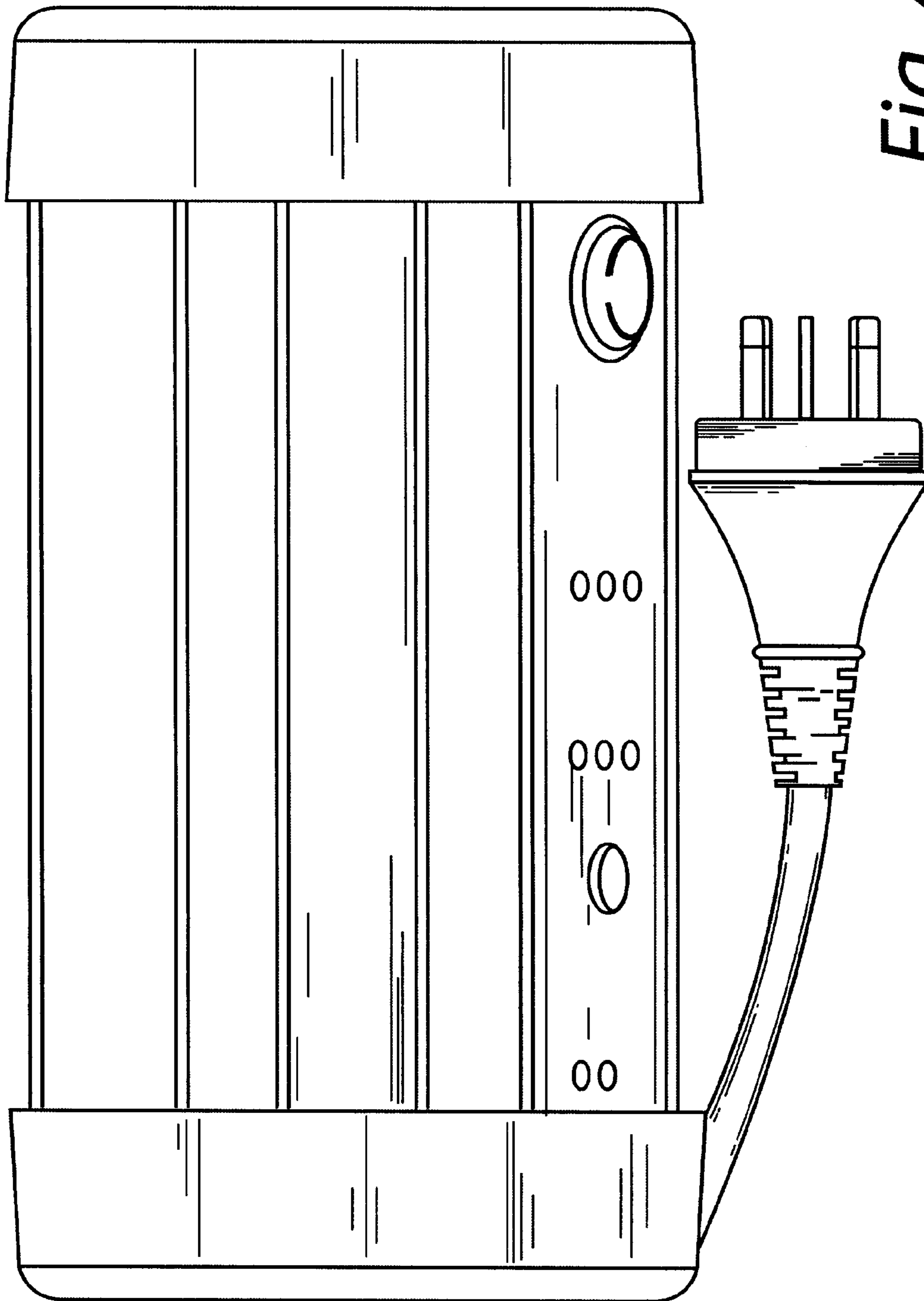


Fig. 4

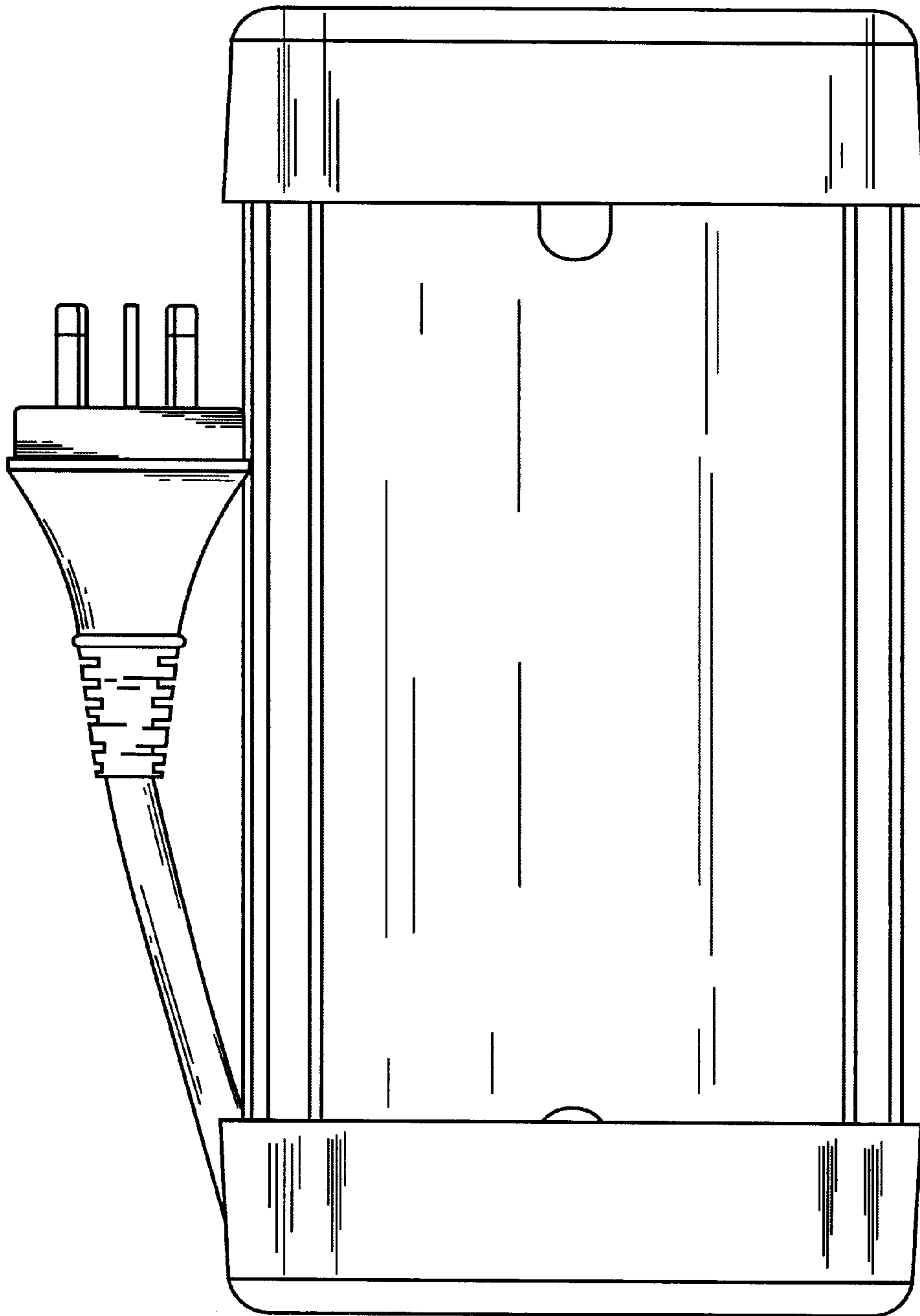
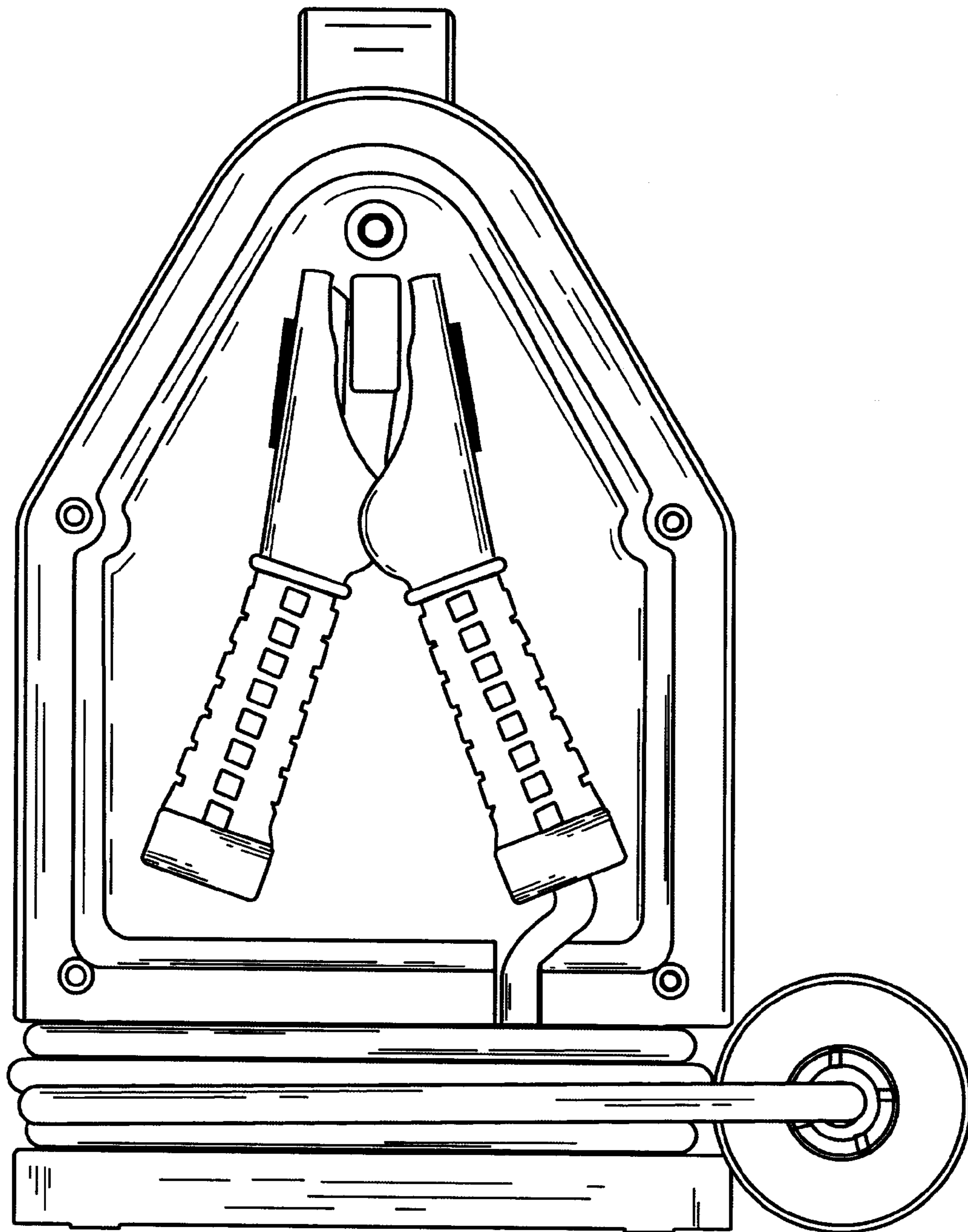
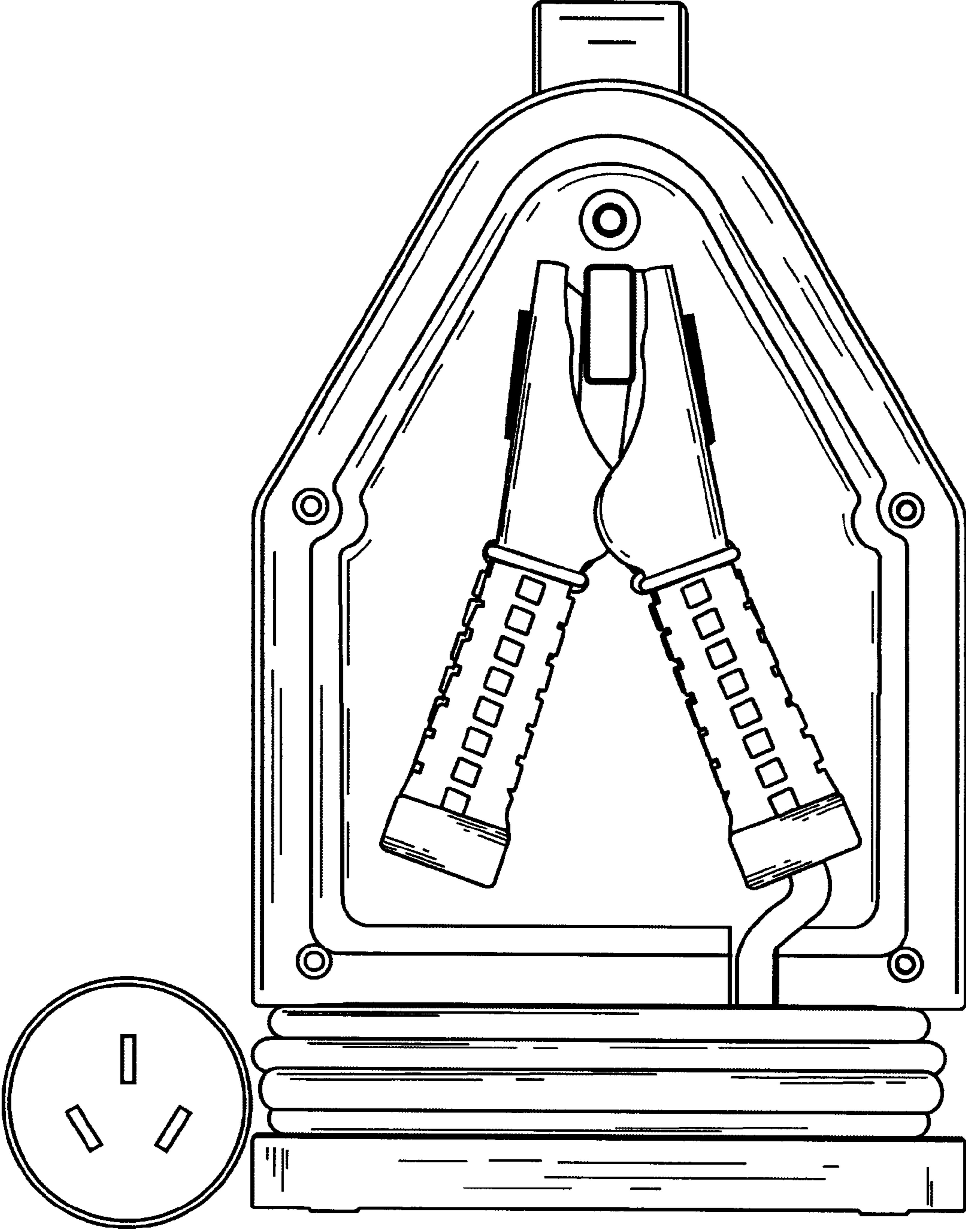


Fig. 5



*Fig. 6*



*Fig. 7*