



US00D538734S

(12) **United States Design Patent** (10) **Patent No.:** **US D538,734 S**  
**Reimitz** (45) **Date of Patent:** **\*\* Mar. 20, 2007**

(54) **MOTORCYCLE BRACKET FOR MOUNTING LICENSE PLATES AND TURN SIGNAL LIGHTS**

(75) Inventor: **Oliver E. Reimitz**, Rockledge, FL (US)

(73) Assignee: **Fendereliminators, Inc.**, Rockledge, FL (US)

(\*\*) Term: **14 Years**

(21) Appl. No.: **29/260,459**

(22) Filed: **May 25, 2006**

**Related U.S. Application Data**

(62) Division of application No. 29/235,324, filed on Jul. 29, 2005.

(51) **LOC (8) Cl.** ..... **12-06**

(52) **U.S. Cl.** ..... **D12/223**

(58) **Field of Classification Search** ..... D12/110,  
D12/114, 184–186, 190, 193; 280/152.1,  
280/152.2, 152.3, 160.1, 770, 304.3, 854,  
280/847–852; D26/34; 293/1, 142, 105; 362/473–476,  
362/549

See application file for complete search history.

(56) **References Cited**

**U.S. PATENT DOCUMENTS**

3,828,178	A	8/1974	Bickel	.....	240/7.1 R
4,422,659	A	12/1983	Nebu	.....	280/152.1
4,790,087	A	12/1988	Hamada	.....	40/204
4,958,451	A	9/1990	Iwakura	.....	40/204
5,173,653	A	12/1992	Hochstein	.....	320/13
6,053,626	A	4/2000	Zagrodnik	.....	362/473
6,099,151	A	8/2000	Tlustos	.....	362/473
6,135,624	A	10/2000	Masters	.....	362/432
6,152,585	A	11/2000	Barry	.....	362/473
6,478,458	B2	11/2002	Hickman	.....	362/473
D523,802	S *	6/2006	Reimitz	.....	D12/223

**OTHER PUBLICATIONS**

Website, <http://www.competitionwerkes.com/CompetitionWerkesFenderEliminator,FenderEnclosuresandfenderconfersions.p.1of1,Apr.19,2004>.

Website, [http://www.competitionwerkes.com/Catalog/fender\\_eliminator-\\_yamaha\\_20092\\_produc...](http://www.competitionwerkes.com/Catalog/fender_eliminator-_yamaha_20092_produc...), Fender eliminators—Yamaha List p. 1–3, Apr. 19, 2004.

Website, [http://www.twobros.com/Perf\\_Products/Bodywork/Fender-Eli.shtm](http://www.twobros.com/Perf_Products/Bodywork/Fender-Eli.shtm), Two Brothers Racing :: Performance Products, p. 1–3, Apr. 19, 2004.

Website, <http://www.hardracing.com/FEKit.htm>, Fender Eliminator Kits, p. 1–19, Apr. 19, 2004.

\* cited by examiner

*Primary Examiner*—Alan P. Douglas

*Assistant Examiner*—Linda Brooks

(74) *Attorney, Agent, or Firm*—Brian S. Steinberger; Law Offices of Brian S. Steinberger, P.A.

(57) **CLAIM**

The ornamental design for a motorcycle bracket for mounting license plates and turn signal lights, as shown and described.

**DESCRIPTION**

FIG. 1 is a front lower left perspective view of a design of the novel motorcycle bracket for mounting license plates and turn signal lights, with a top angled rectangular plate, bent rectangular middle plate, and bottom plate for mounting a license plate and oval hanging edge flanges for mounting turn signal lights.

FIG. 2 is an upper rear perspective view of FIG. 1.

FIG. 3 is a right side view of FIG. 1.

FIG. 4 is a left side view of FIG. 1.

FIG. 5 is an upper rear perspective view as seen from directional arrows 5—5 in FIG. 3.

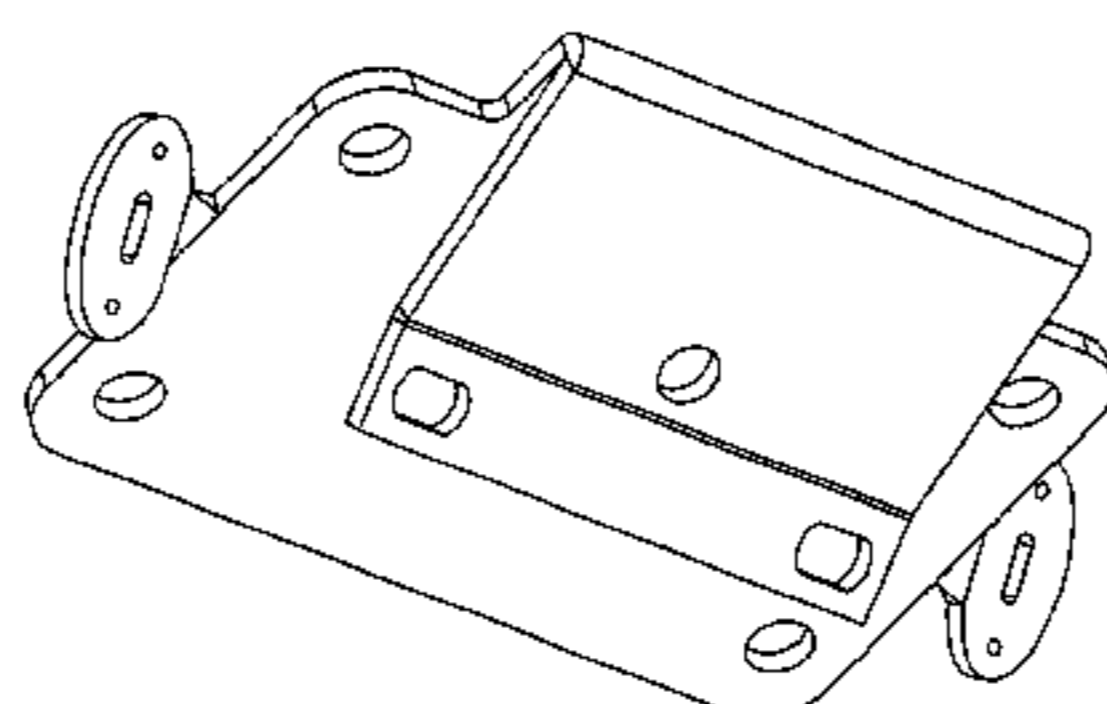
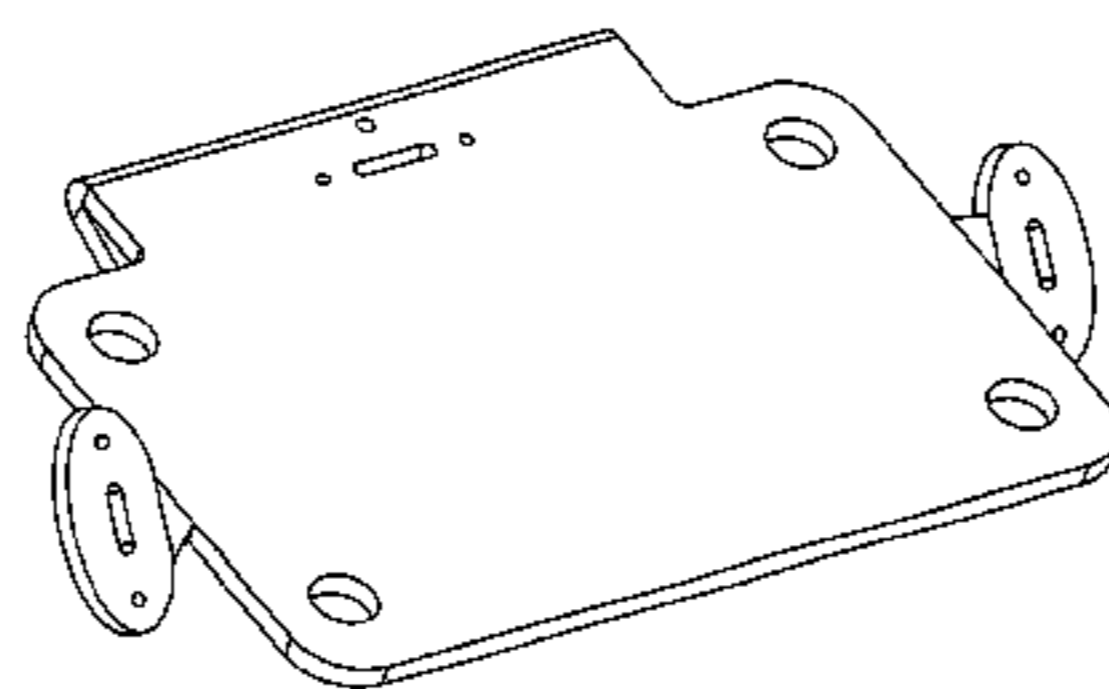
FIG. 6 is a front perspective view of FIG. 1.

FIG. 7 is a rear perspective view of FIG. 1.

FIG. 8 is an upper end perspective view as seen from directional arrows 8—8 in FIG. 7; and,

FIG. 9 is an upper end perspective view as seen from directional arrows 9—9 in of FIG. 6.

**1 Claim, 5 Drawing Sheets**



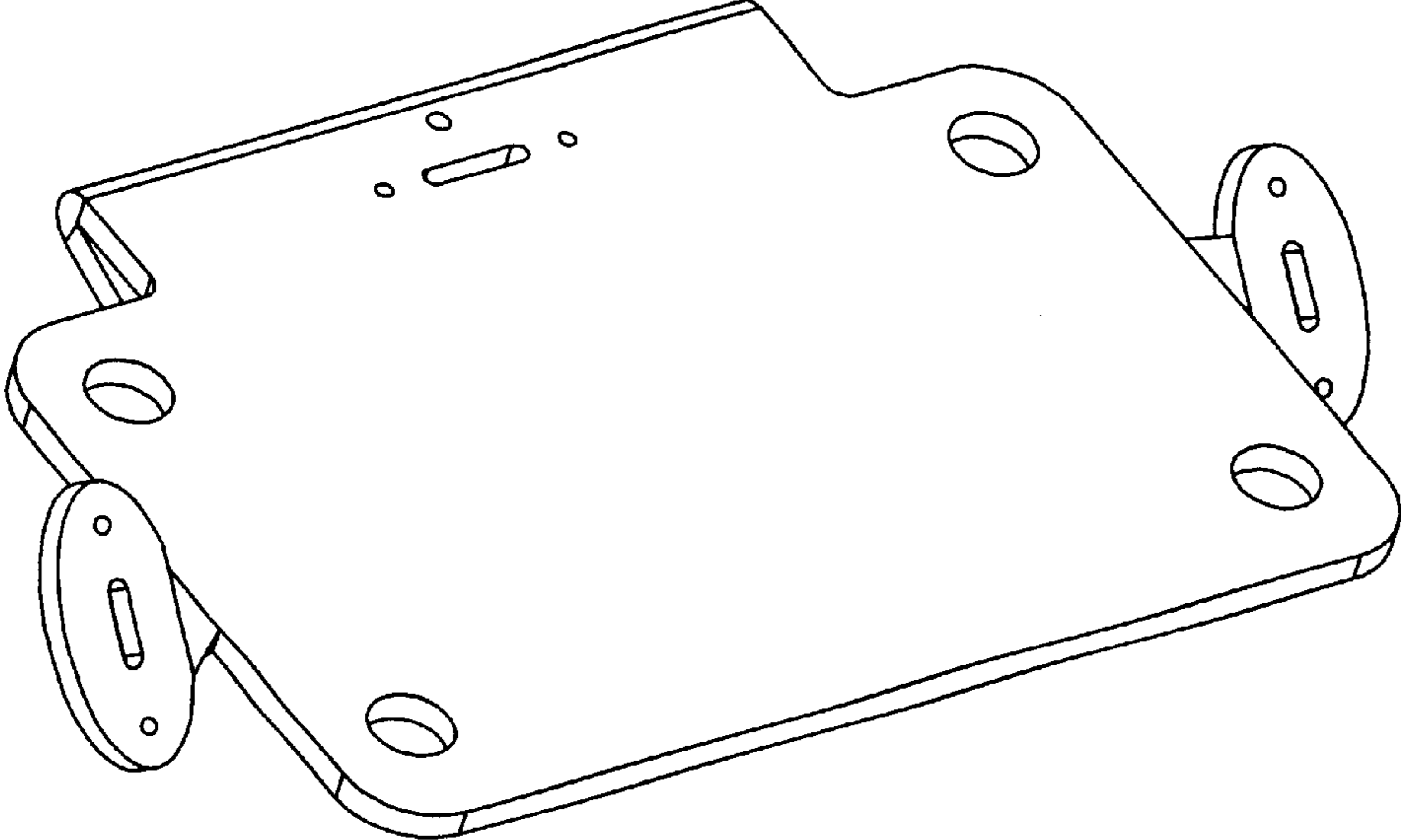


Fig.1

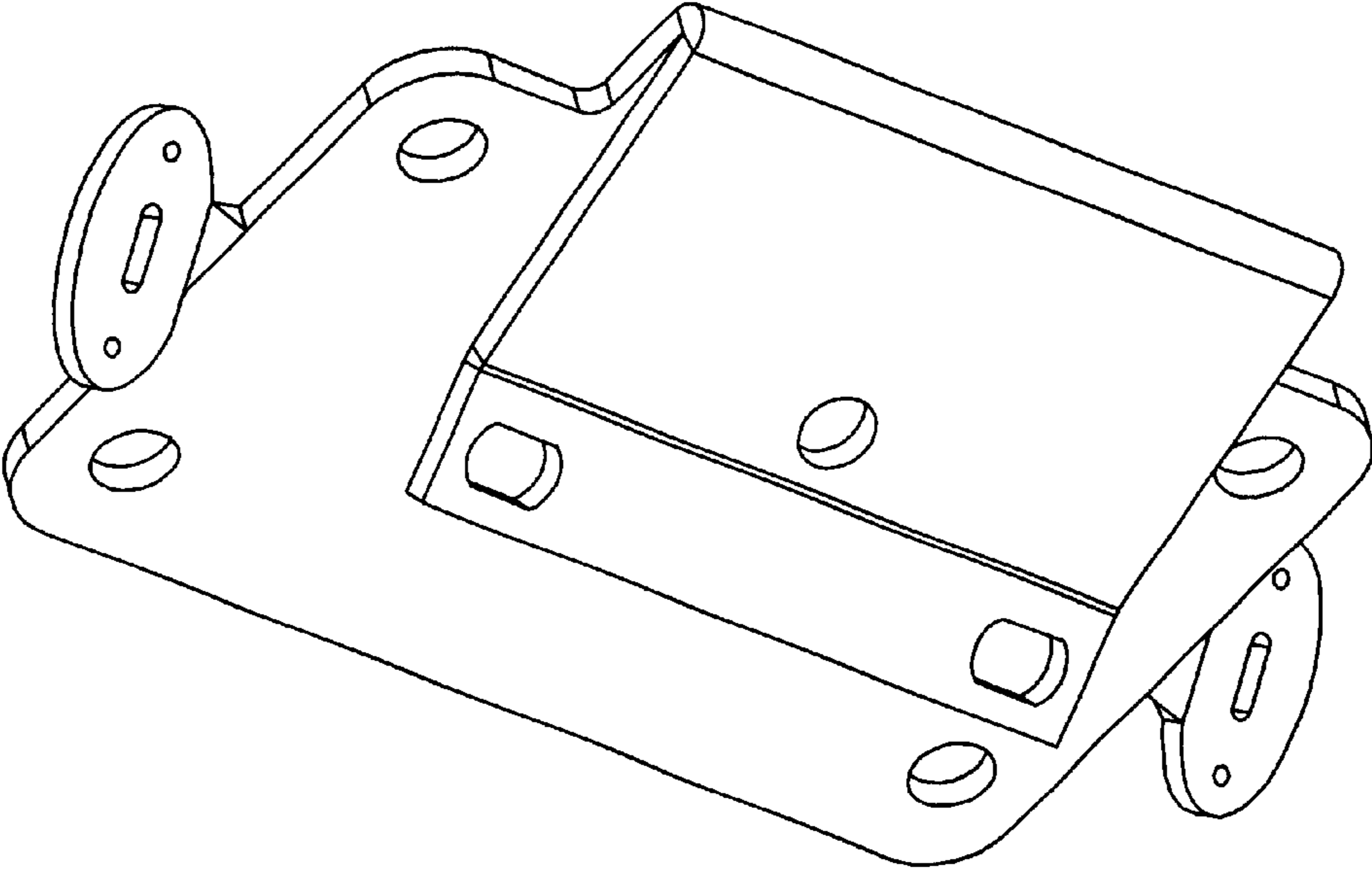


Fig.2

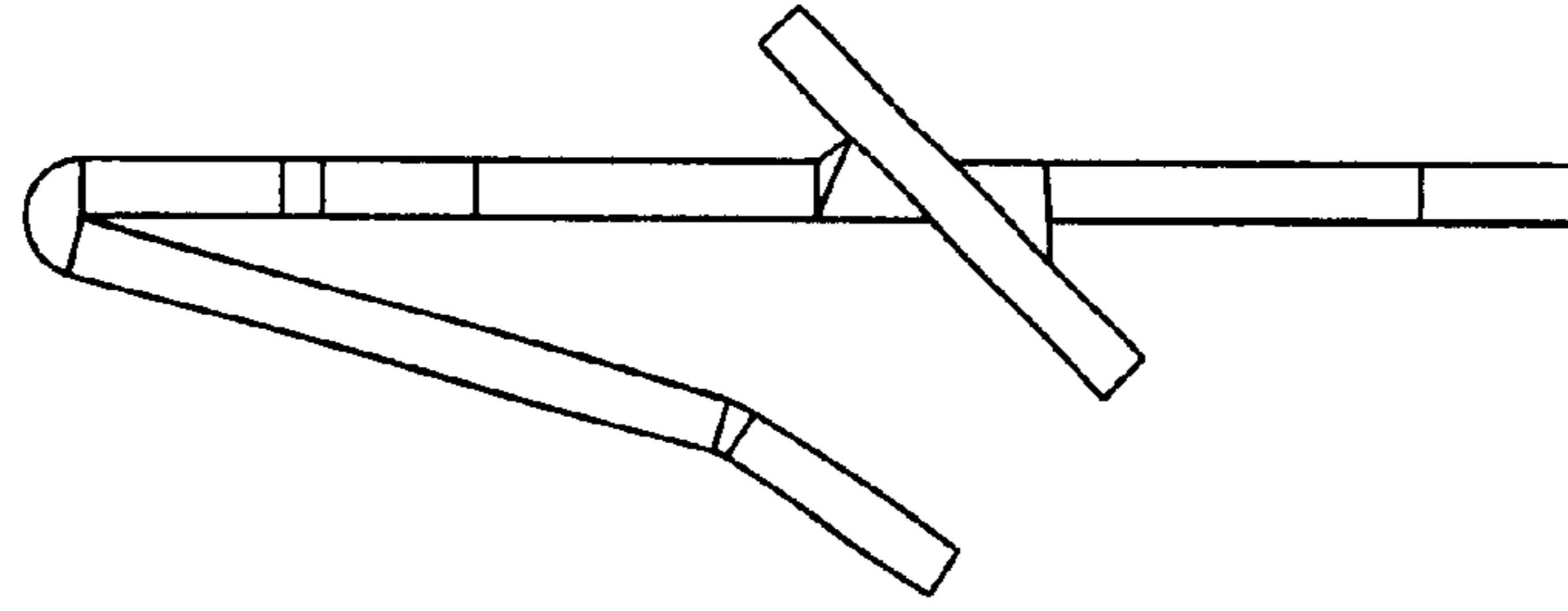


Fig. 4

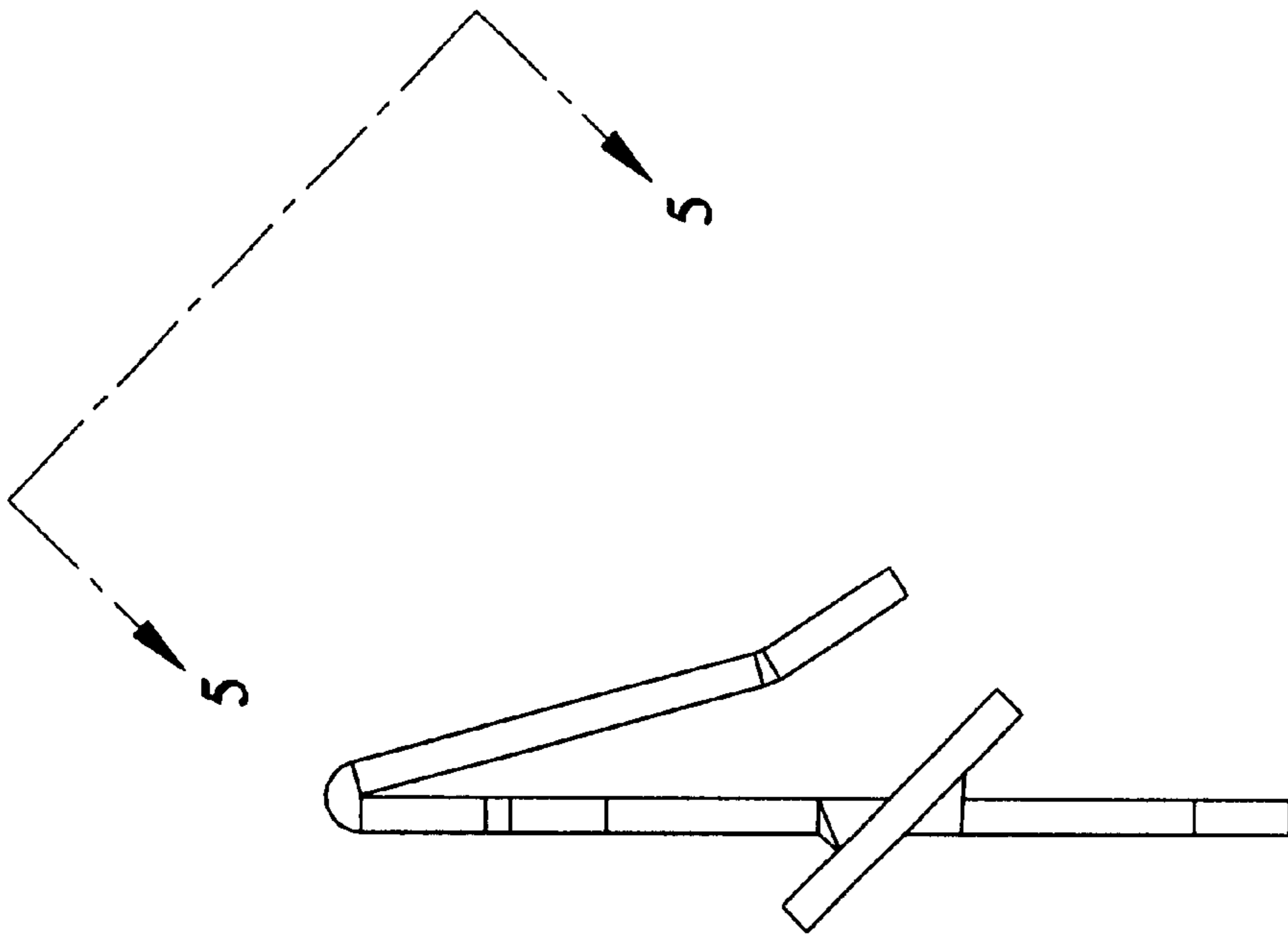


Fig. 3

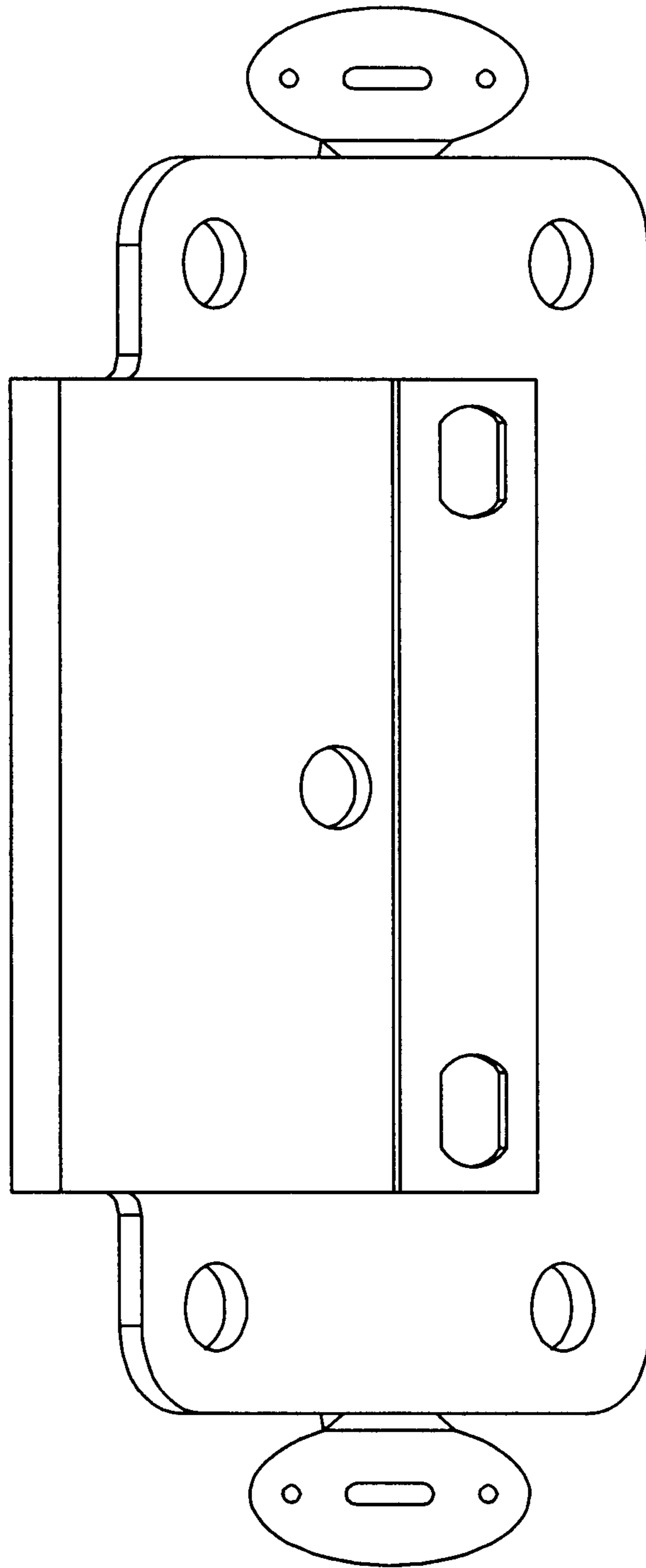


Fig. 5

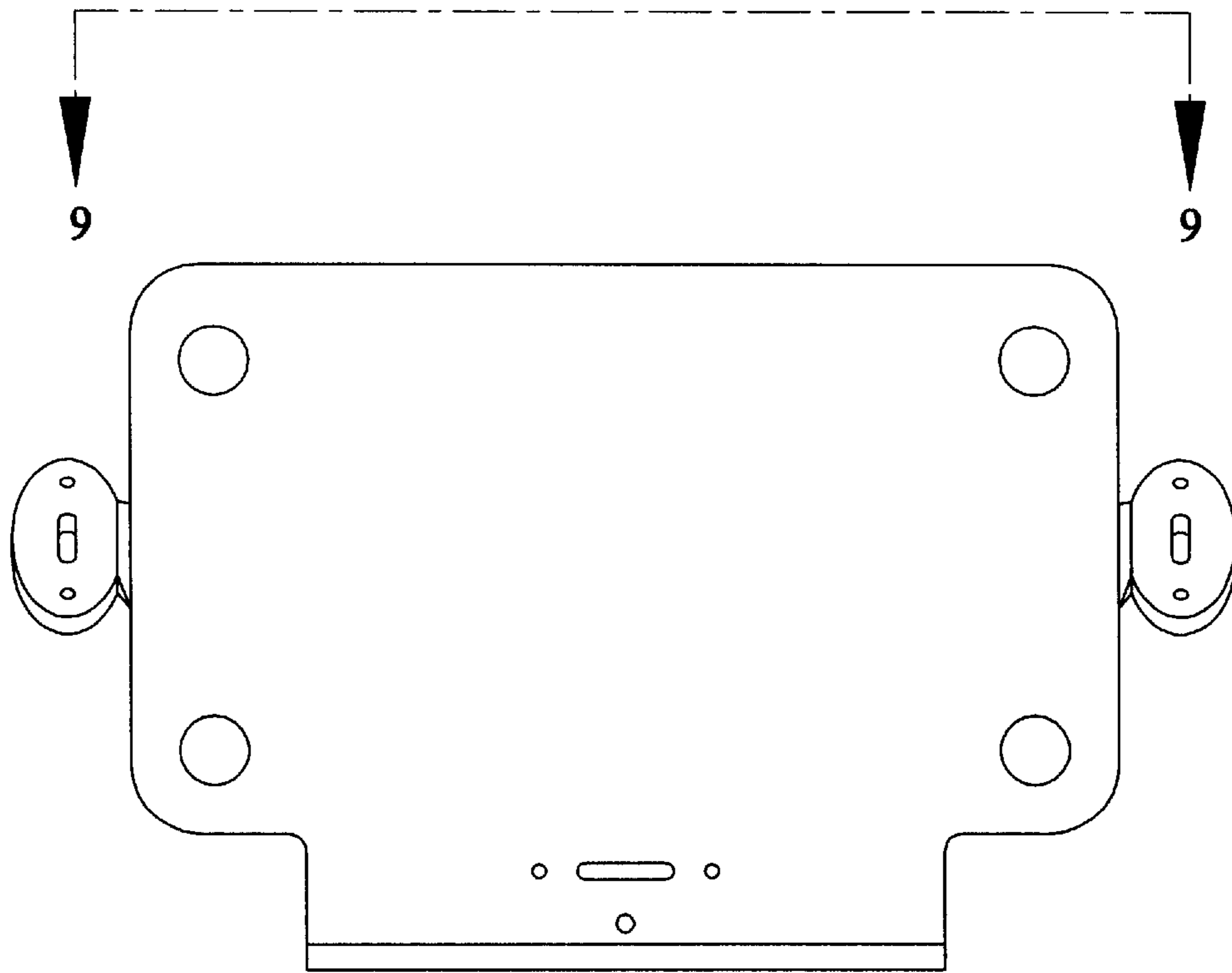


Fig.6

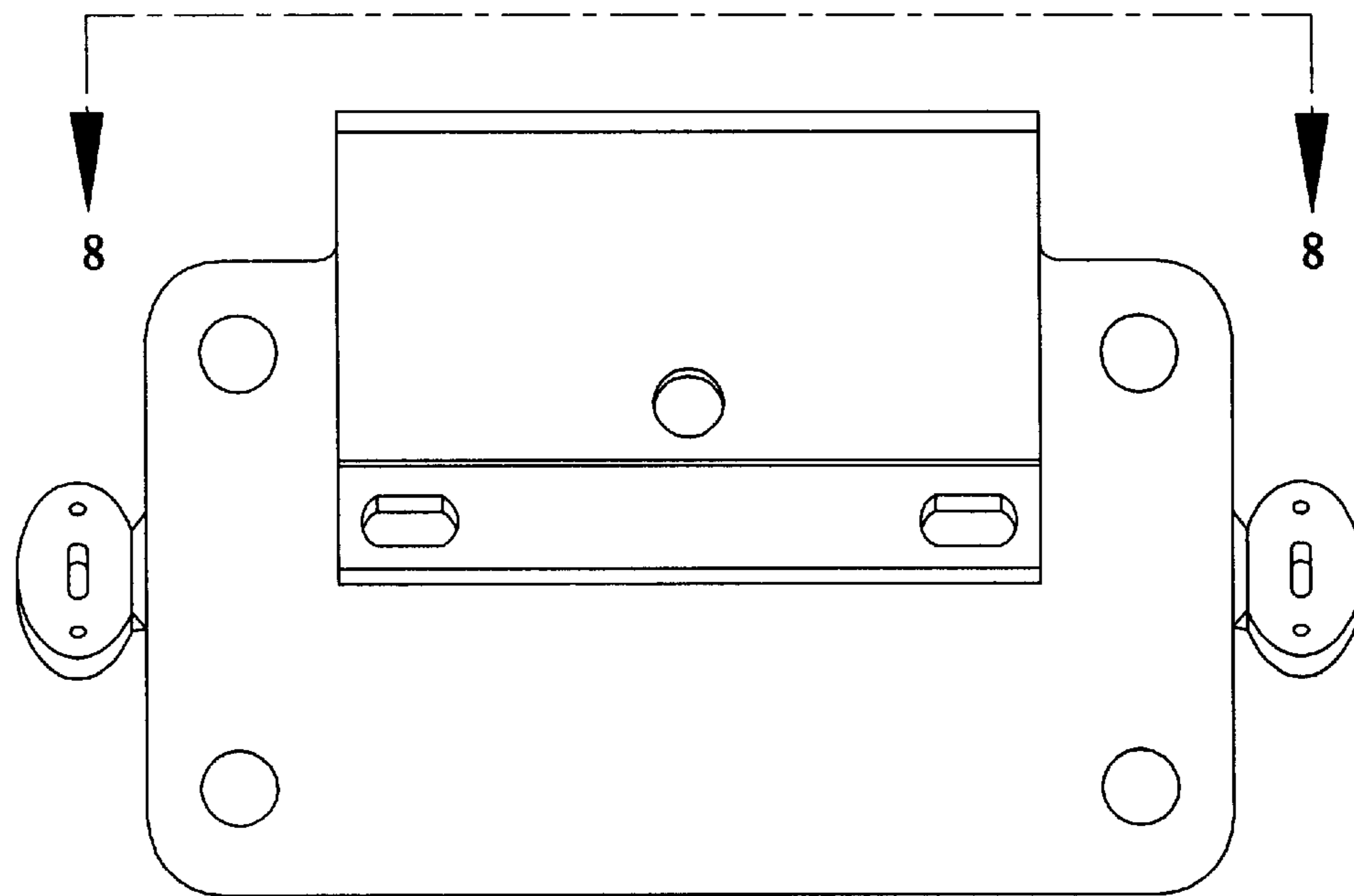


Fig.7

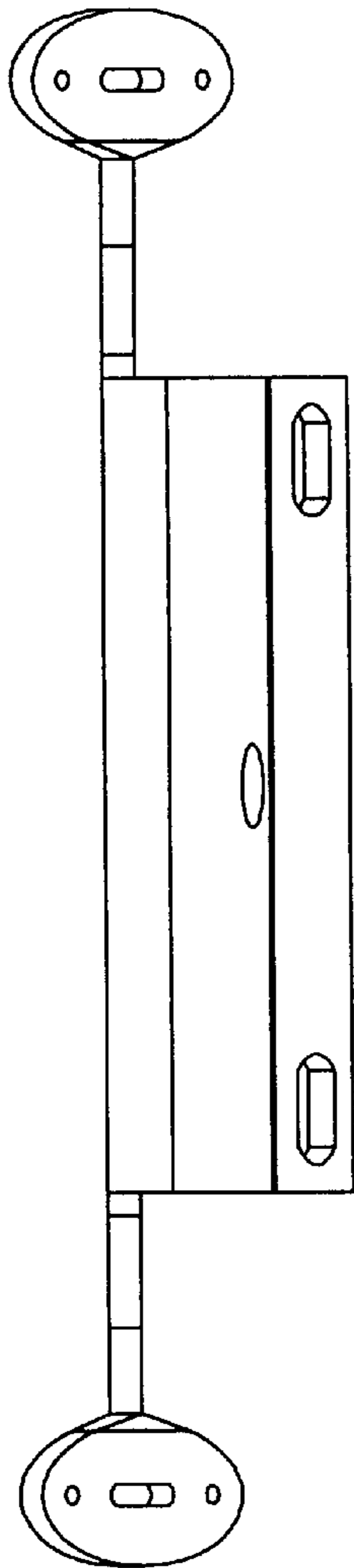


Fig. 8

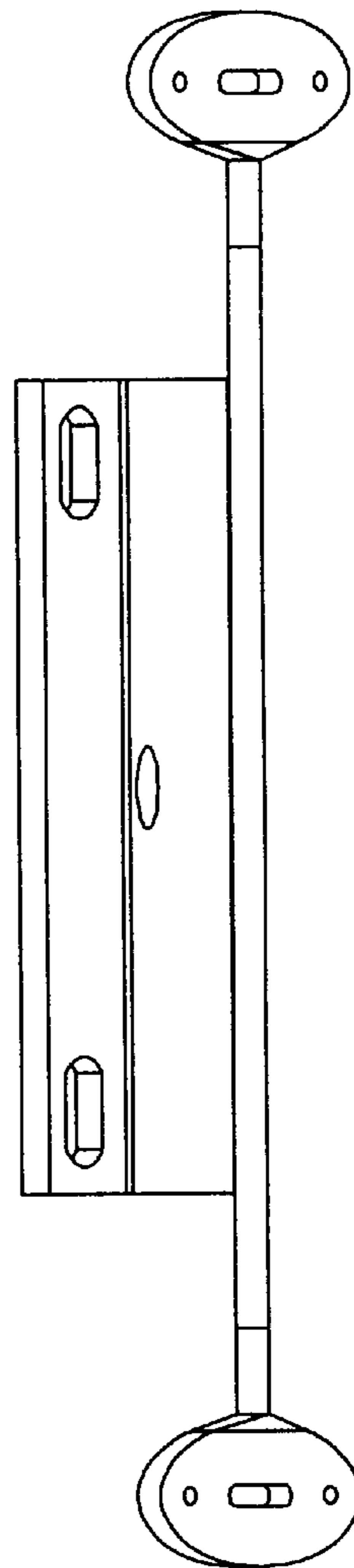


Fig. 9