



US00D538730S

(12) **United States Design Patent**  
**Turner**

(10) **Patent No.:** **US D538,730 S**

(45) **Date of Patent:** **\*\* Mar. 20, 2007**

(54) **FRONT FACE OF A VEHICLE WHEEL**

(75) **Inventor:** **Andreas Thurner**, Munich (DE)

(73) **Assignee:** **Bayerische Motoren Werke  
Aktiengesellschaft**, Munich (DE)

(\*\*) **Term:** **14 Years**

(21) **Appl. No.:** **29/264,787**

(22) **Filed:** **Aug. 18, 2006**

(30) **Foreign Application Priority Data**

Feb. 21, 2006 (DE) ..... 40601070

(51) **LOC (8) Cl.** ..... **12-16**

(52) **U.S. Cl.** ..... **D12/209**

(58) **Field of Classification Search** ..... D12/204-213;  
301/37.101, 64.101, 65

See application file for complete search history.

(56) **References Cited**

**U.S. PATENT DOCUMENTS**

D494,120 S \* 8/2004 Pfeiffer ..... D12/209

D504,650 S \* 5/2005 Ishiwata ..... D12/209

D507,775 S \* 7/2005 Pfeiffer ..... D12/211

D510,307 S \* 10/2005 Howes ..... D12/209

D513,218 S \* 12/2005 Fitzgerald ..... D12/209

D527,326 S \* 8/2006 Pfeiffer ..... D12/209

\* cited by examiner

*Primary Examiner*—Stacia Cadmus

(74) *Attorney, Agent, or Firm*—Crowell & Moring LLP

(57) **CLAIM**

The ornamental design for a front face of a vehicle wheel, as shown and described.

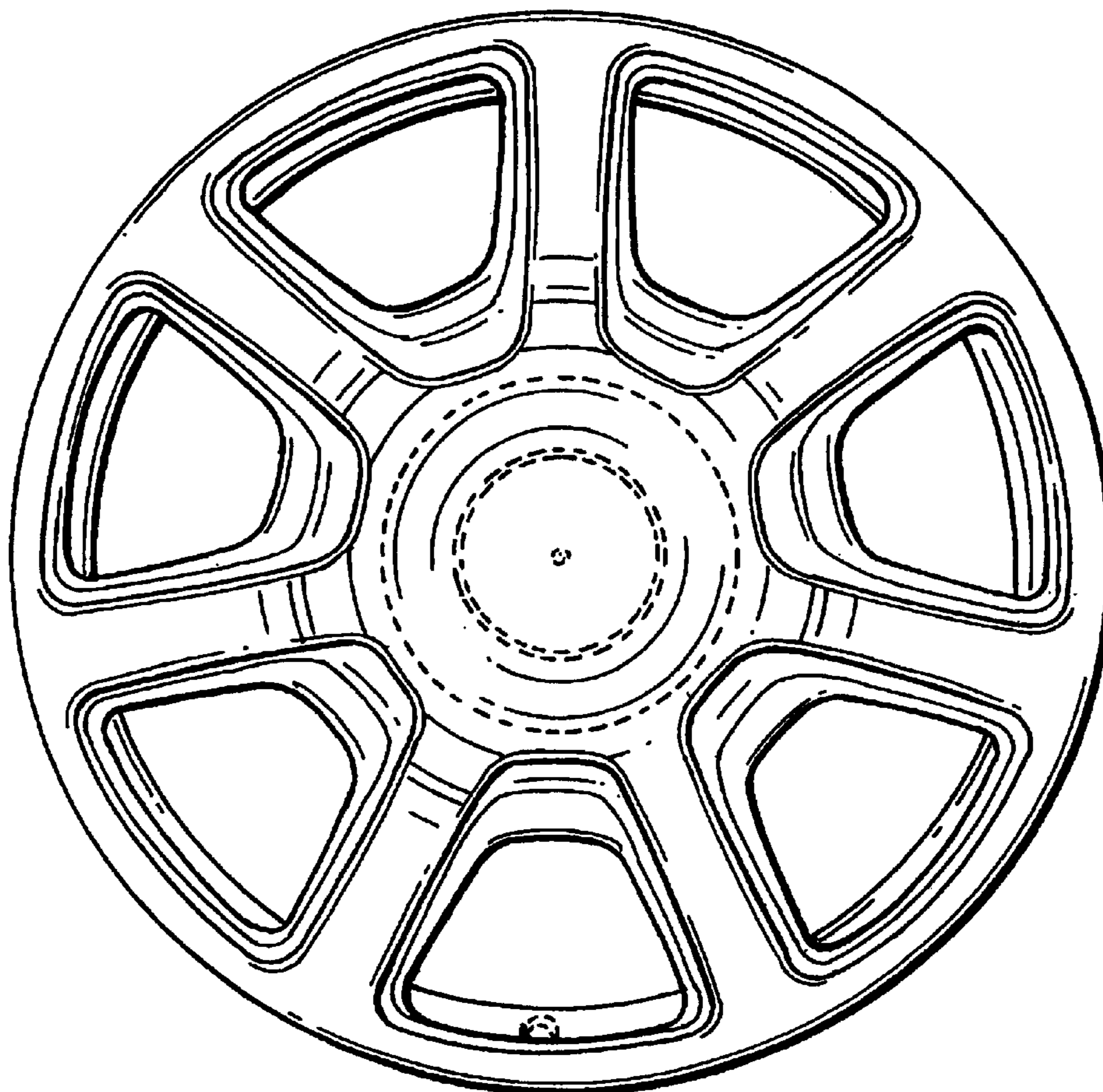
**DESCRIPTION**

FIG. 1 is a front view of a front face of a vehicle wheel according to my novel design; and,

FIG. 2 is a perspective view thereof.

The broken lines are for illustrative purposes only and form no part of the claimed design.

**1 Claim, 1 Drawing Sheet**



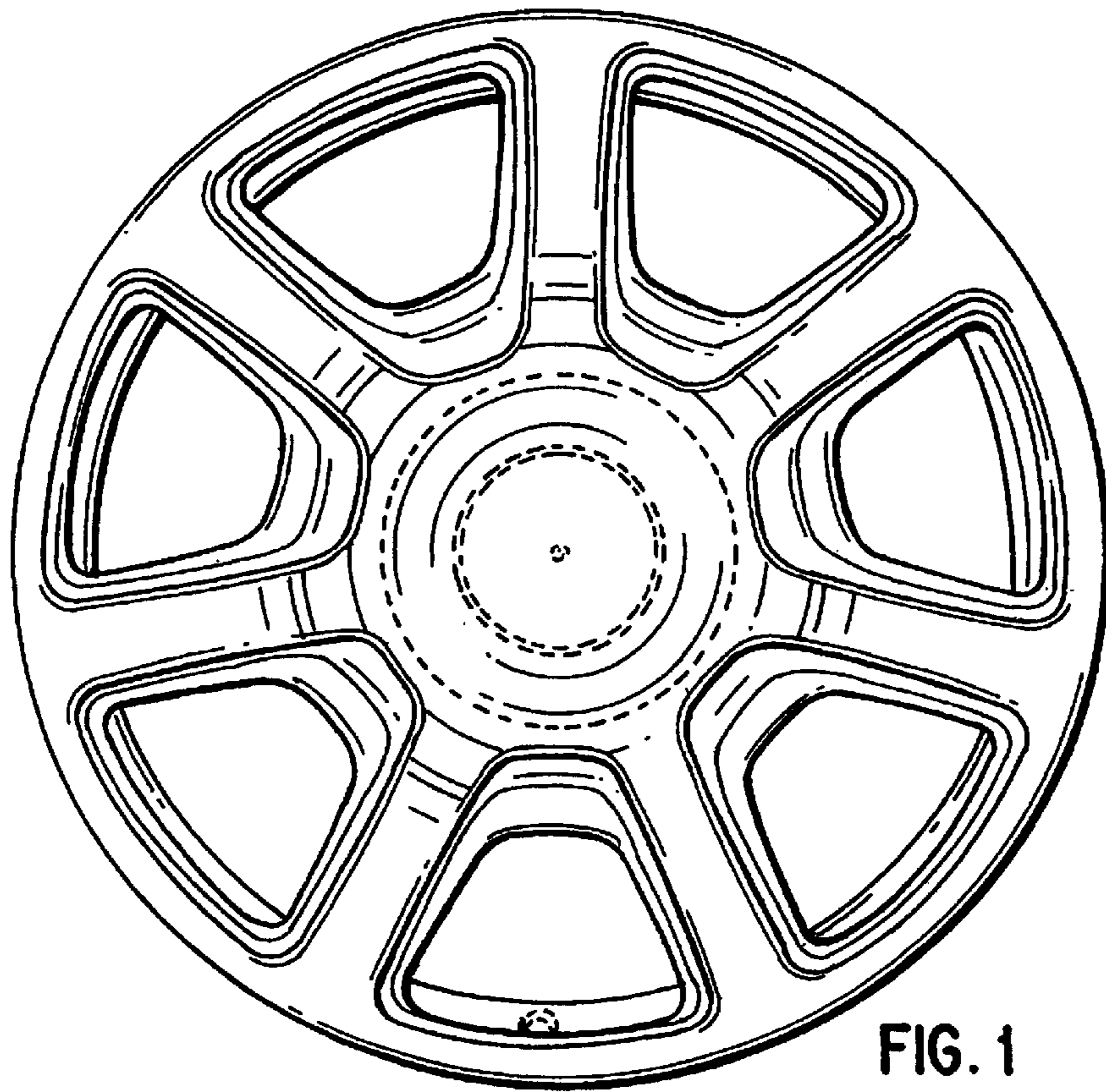


FIG. 1

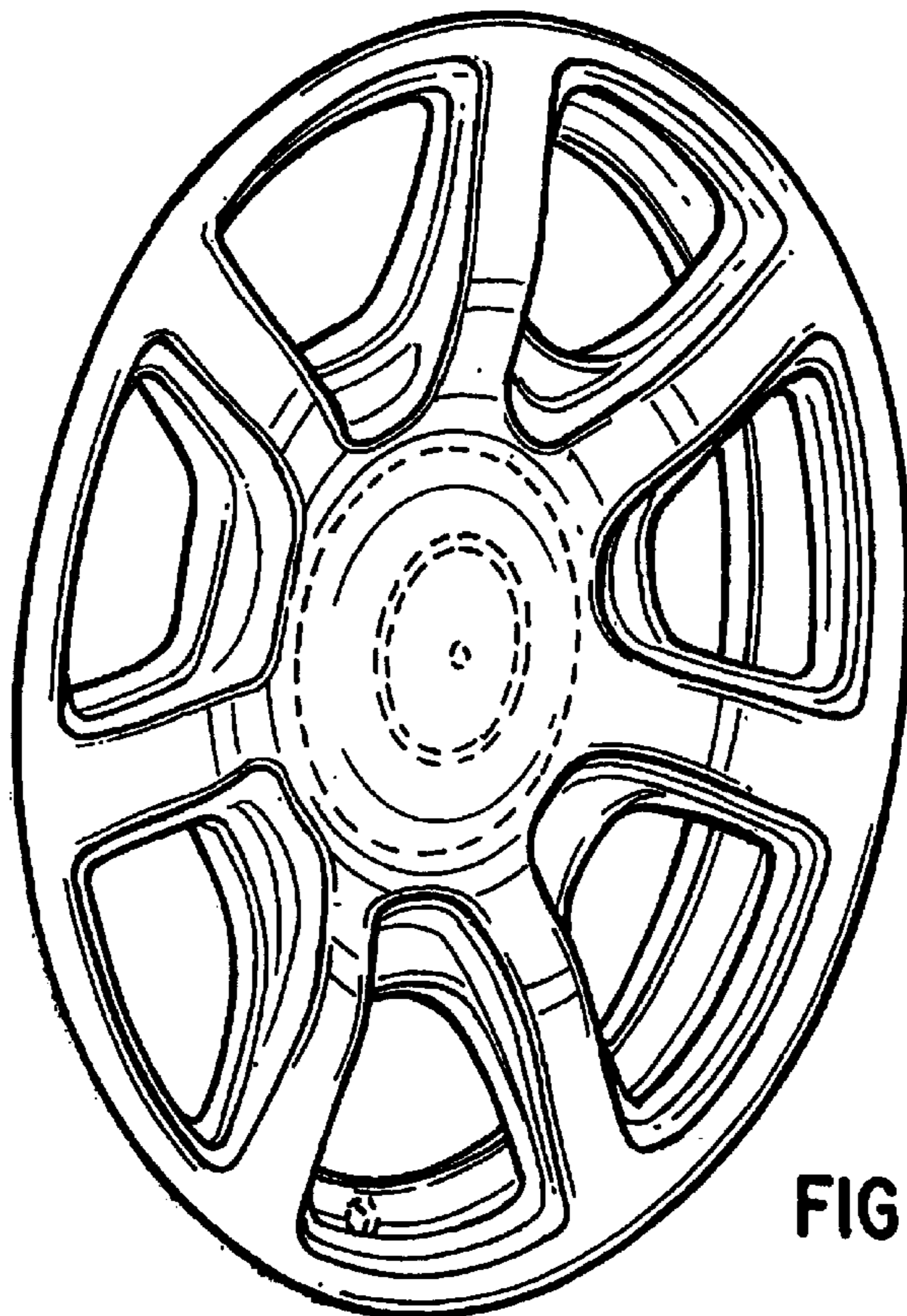


FIG. 2