



US00D538728S

(12) **United States Design Patent**
Pfeiffer

(10) **Patent No.:** **US D538,728 S**

(45) **Date of Patent:** **** *Mar. 20, 2007**

(54) **FRONT FACE OF A VEHICLE WHEEL**

(75) Inventor: **Peter Pfeiffer**, Boeblingen (DE)

(73) Assignee: **DaimlerChrysler AG**, Stuttgart (DE)

(*) Notice: This patent is subject to a terminal disclaimer.

(**) Term: **14 Years**

(21) Appl. No.: **29/263,210**

(22) Filed: **Jul. 19, 2006**

(30) **Foreign Application Priority Data**

Mar. 10, 2006 (DE) 4 06 01 392

(51) **LOC (8) Cl.** **12-16**

(52) **U.S. Cl.** **D12/209**

(58) **Field of Classification Search** D12/204-213;
301/37.101, 64.101, 65

See application file for complete search history.

(56) **References Cited**

U.S. PATENT DOCUMENTS

D436,567 S * 1/2001 Takechi D12/209

D444,118 S * 6/2001 Chung D12/211

D454,104 S * 3/2002 Hieke D12/209

D454,530 S * 3/2002 Hieke D12/211

D455,109 S * 4/2002 Foose D12/211

D480,348 S * 10/2003 Donikoglu D12/211

D483,313 S * 12/2003 Lenz D12/209

D519,902 S * 5/2006 Pfeiffer D12/209

D525,183 S * 7/2006 Pfeiffer D12/209

* cited by examiner

Primary Examiner—Stacia Cadmus

(74) *Attorney, Agent, or Firm*—Crowell & Moring LLP

(57) **CLAIM**

The ornamental design for a front face of a vehicle wheel, as shown and described.

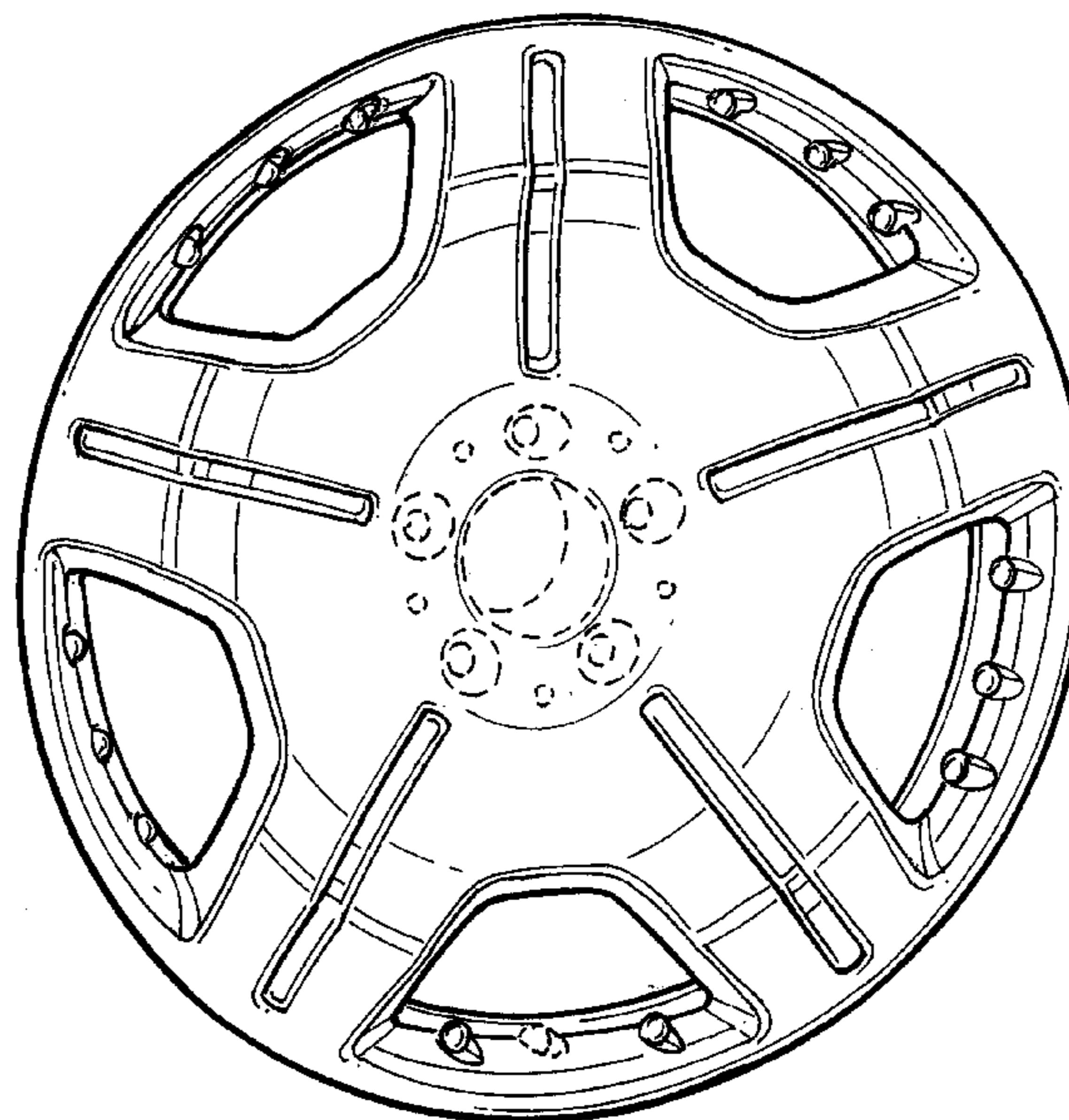
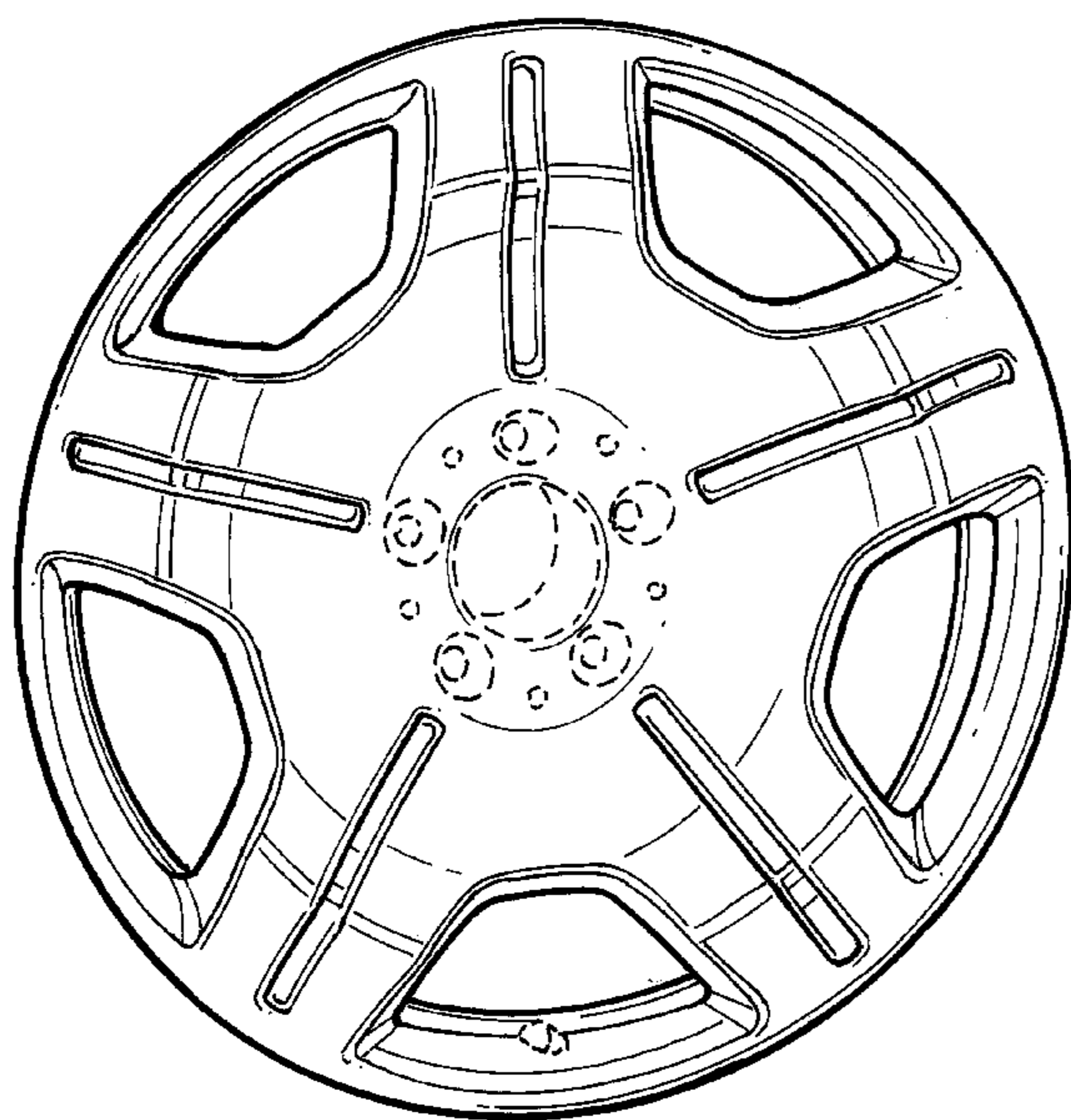
DESCRIPTION

FIG. 1 is a front view of a first embodiment of a front face of a vehicle wheel according to my novel design; and FIG. 2 is a perspective view thereof.

FIG. 3 is a front view of a second embodiment of the front face of a vehicle wheel according to my novel design; and, FIG. 4 is a perspective view thereof.

The broken lines are for illustrative purposes only and form no part of the claimed design.

1 Claim, 2 Drawing Sheets



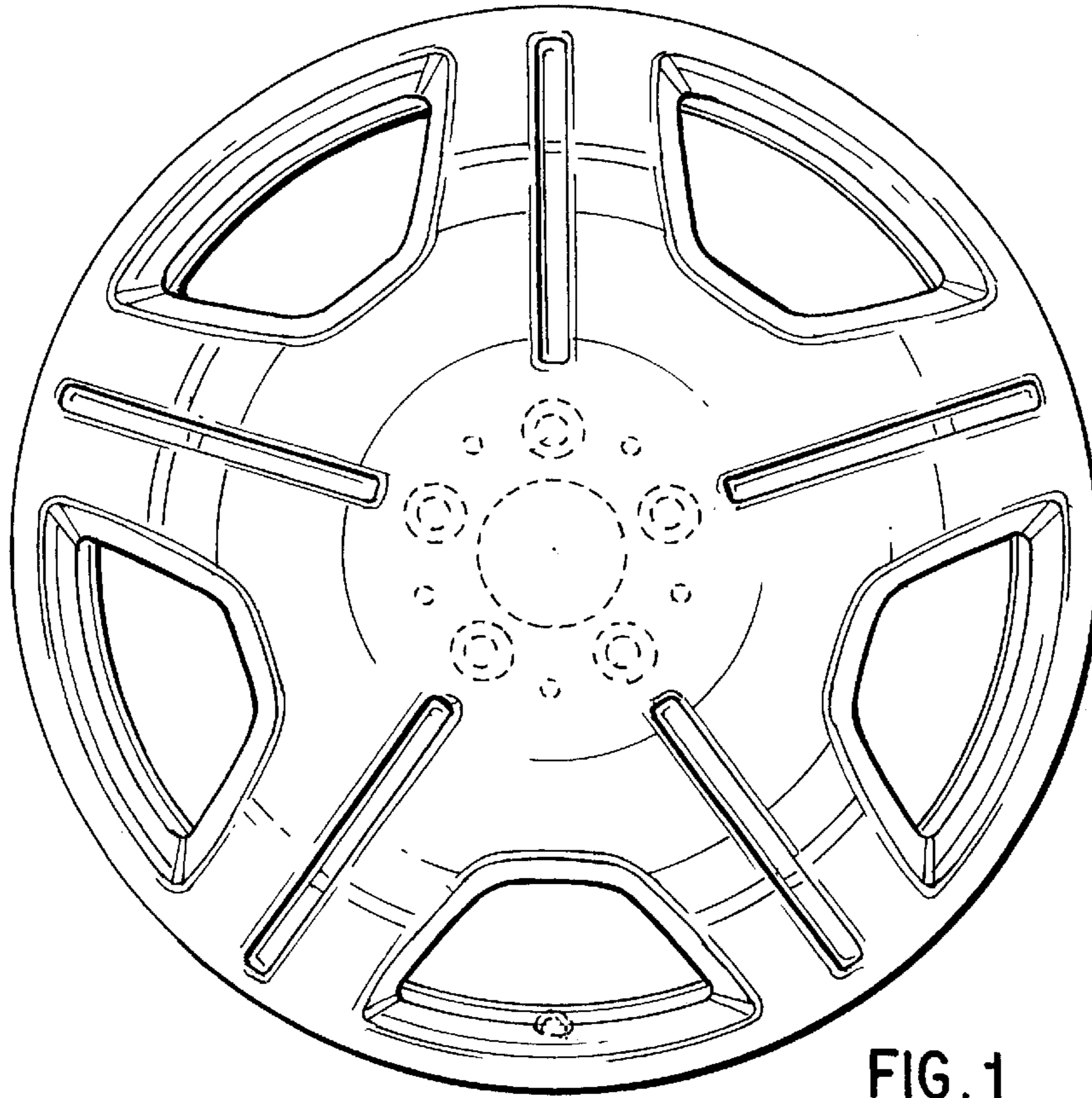


FIG. 1

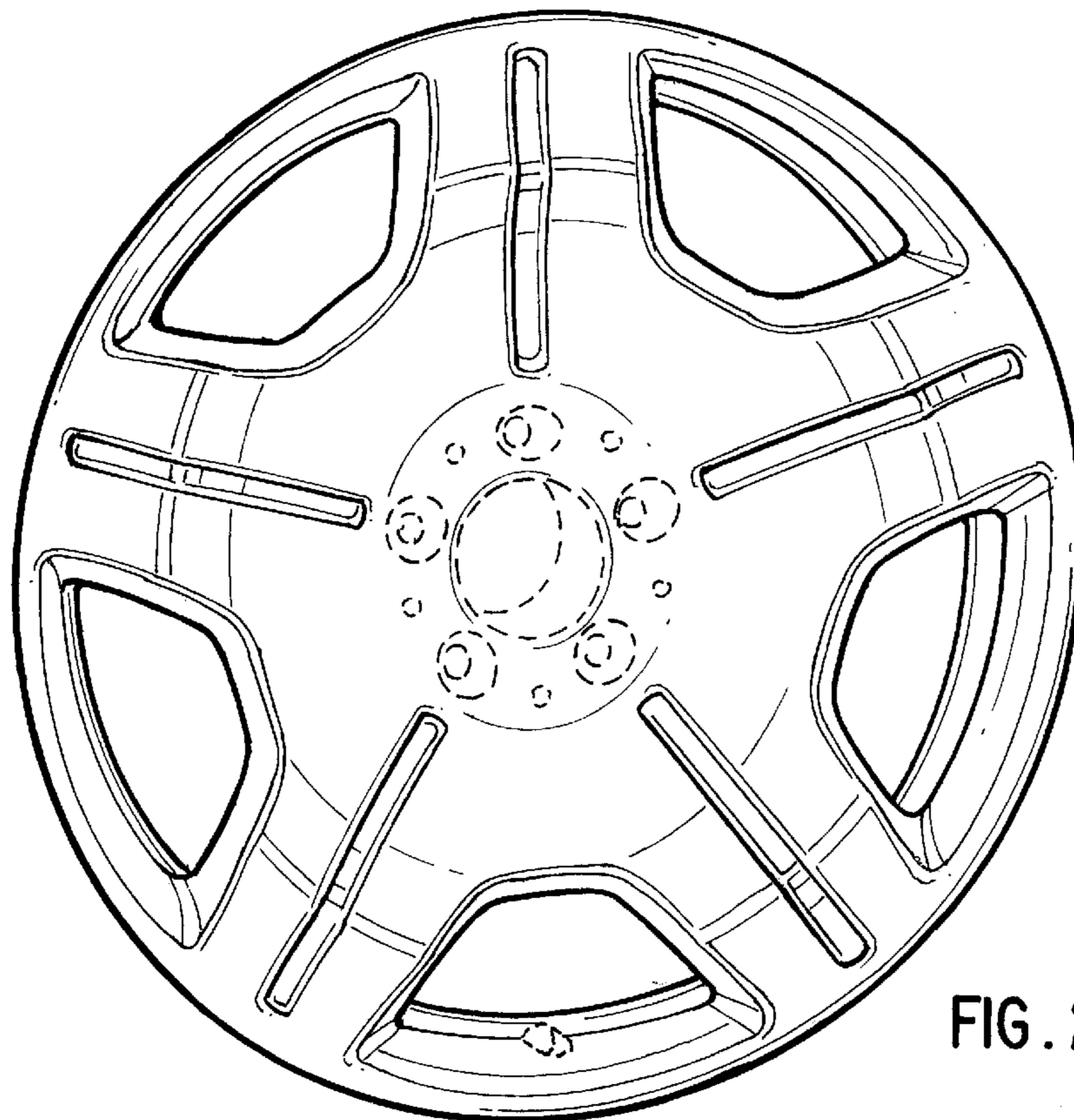


FIG. 2

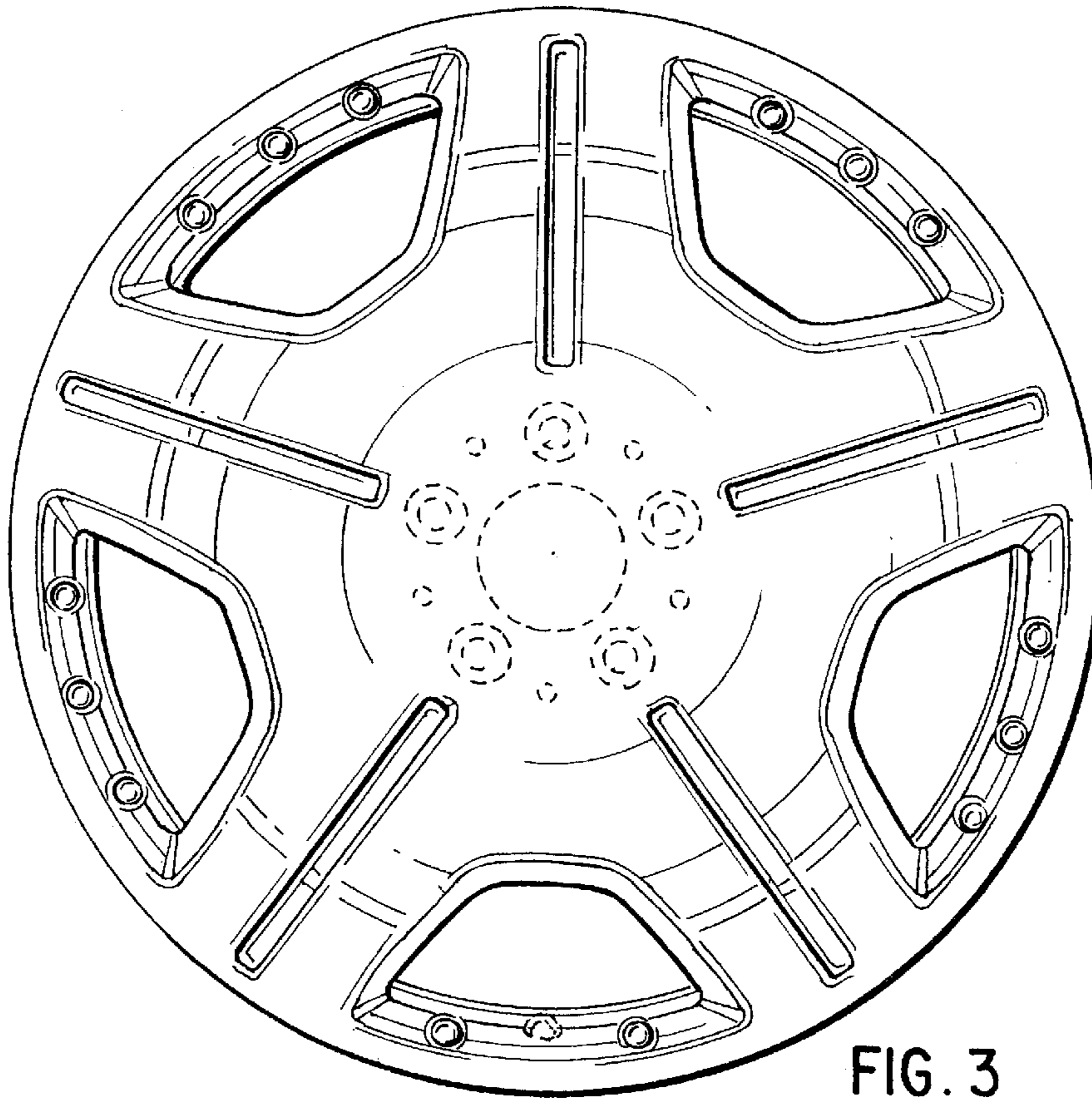


FIG. 3

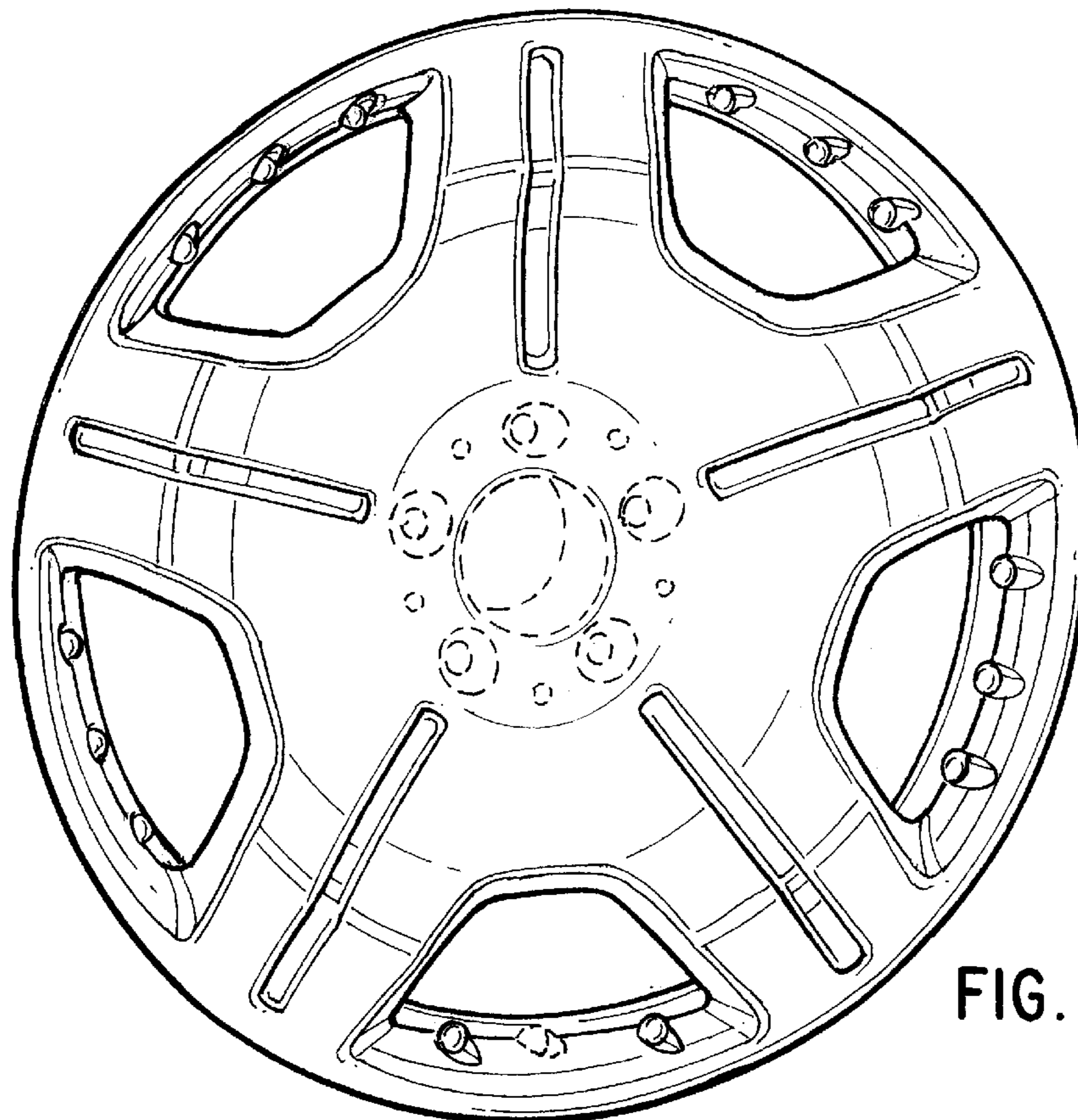


FIG. 4