



US00D538724S

(12) **United States Design Patent**
Leman et al.

(10) **Patent No.:** **US D538,724 S**
(45) **Date of Patent:** **** Mar. 20, 2007**

(54) **TRI-SPOKE MOTOR CAP**

(75) Inventors: **Derek Leman**, Brownsburg, IN (US);
Frank David, Avon, IN (US); **Brian DePerro**, Fayetteville, NY (US)

(73) Assignee: **Carrier Corporation**, Farmington, CT (US)

(**) Term: **14 Years**

(21) Appl. No.: **29/252,314**

(22) Filed: **Jan. 20, 2006**

(51) **LOC (8) Cl.** **12-16**

(52) **U.S. Cl.** **D12/197**

(58) **Field of Classification Search** D12/197,
D12/110, 201, 198, 218, 213, 400; D7/398,
D7/598, 619; D8/107-108, 310-312; D15/5;
D9/451-454, 435; 280/830; 220/86.1-83.3,
220/12, 32-33, 288, DIG. 5; 301/37.101,
301/65, 64.101, 37.35

See application file for complete search history.

(56) **References Cited**

U.S. PATENT DOCUMENTS

3,025,110 A * 3/1962 Lyon 301/37.35
D362,233 S * 9/1995 Miansian D12/213
D373,103 S * 8/1996 Miansian D12/213
D379,080 S * 5/1997 Choi D12/213

D385,247 S * 10/1997 Miansian D12/213
D396,683 S * 8/1998 Miansian D12/213
D424,502 S * 5/2000 Noriega D12/213
D432,485 S * 10/2000 Totten D12/213

* cited by examiner

Primary Examiner—Stacia Cadmus

(74) *Attorney, Agent, or Firm*—Ohlandt, Greeley, Ruggiero & Perle, L.L.P

(57) **CLAIM**

The ornamental design for a tri-spoke motor cap, as shown and described.

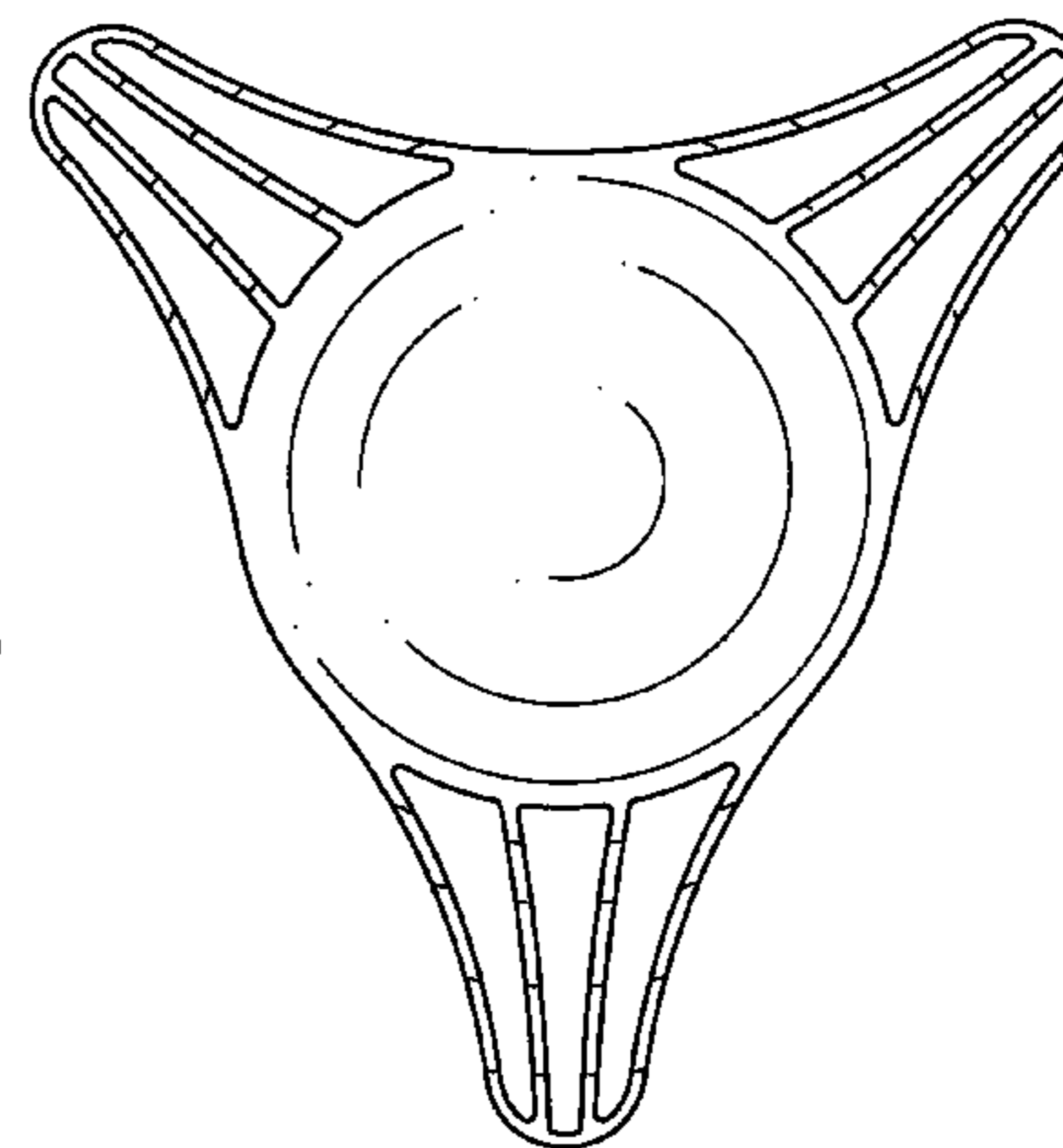
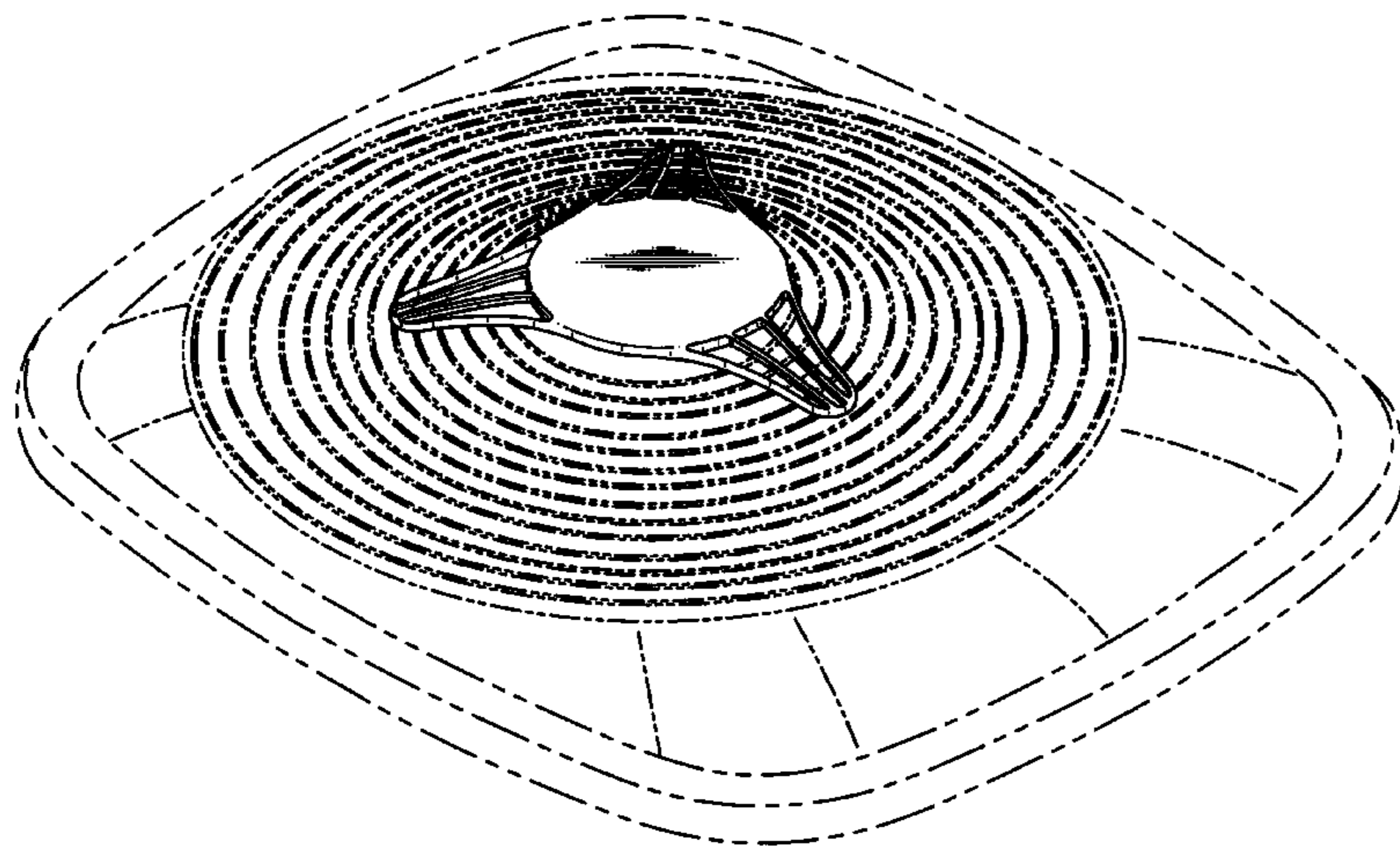
DESCRIPTION

FIG. 1 is a front perspective view of a tri-spoke motor cap according to the present invention;
FIG. 2 is a top view of the tri-spoke motor cap of FIG. 1;
FIG. 3 is a side view of the tri-spoke motor cap of FIG. 1;
FIG. 4 is a side view of the tri-spoke motor cap of FIG. 3 rotated about 180 degrees;
FIG. 5 is a side view of the tri-spoke motor cap FIG. 3 rotated about 90 degrees; and,
FIG. 6 is a bottom view of the of the tri-spoke motor cap of FIG. 1.

The broken line showing of environment is for illustrative purposes only and forms no part of the claimed design.

The tri-spoke motor cap is shown on an enlarged scale in FIGS. 2-6.

1 Claim, 2 Drawing Sheets



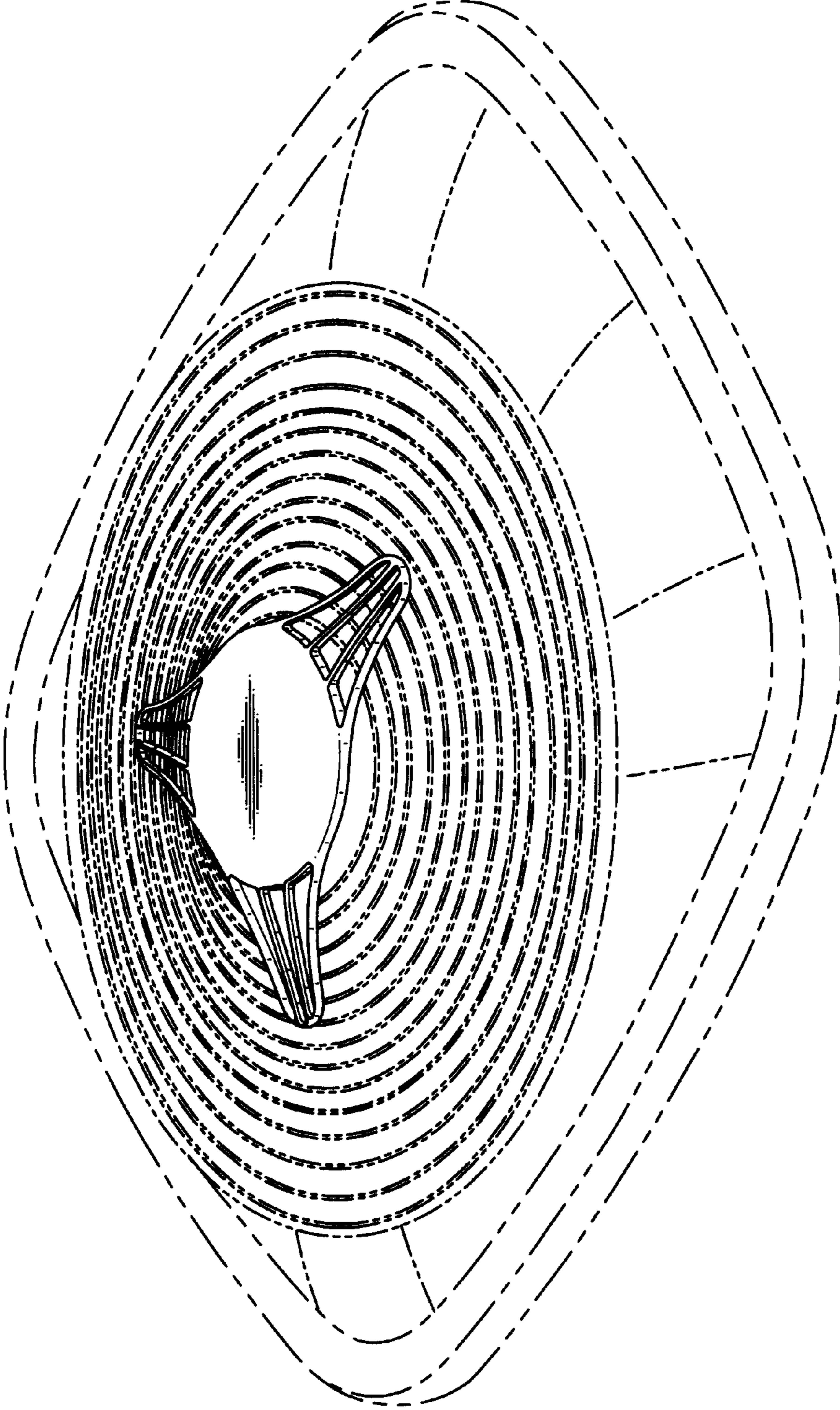


FIG. 1

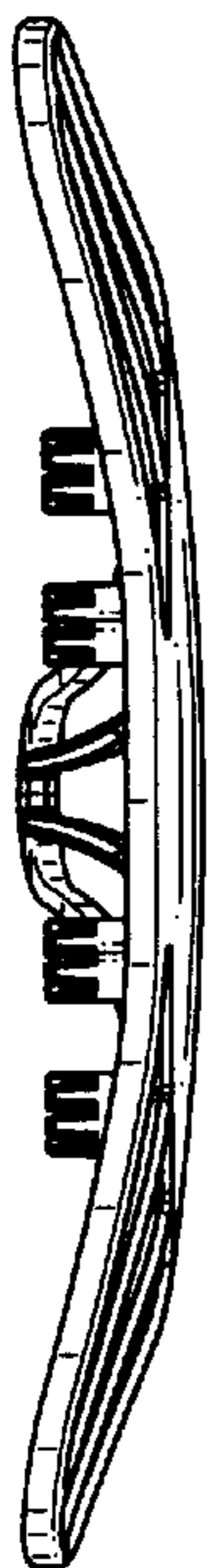


FIG. 3

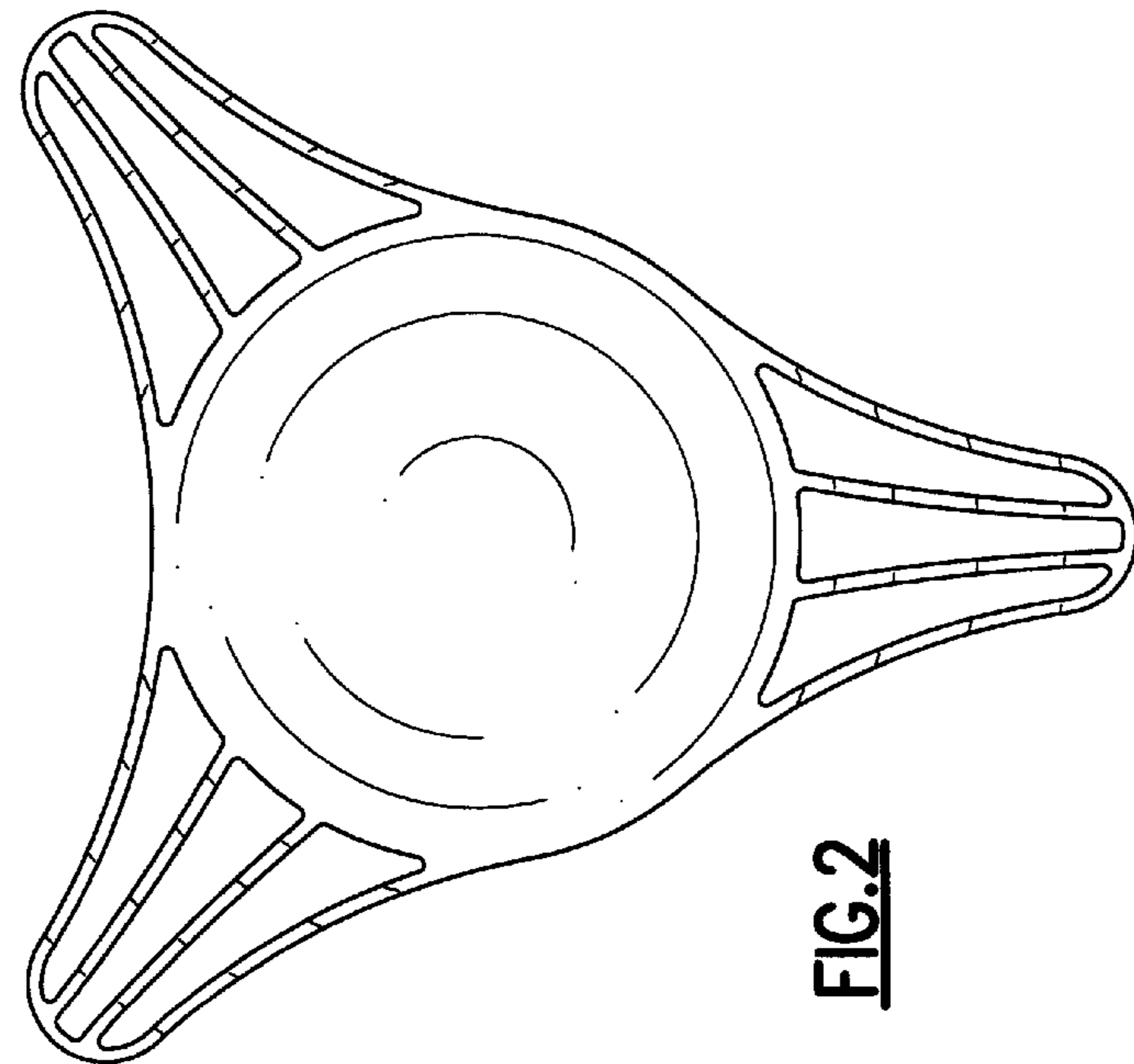


FIG. 2



FIG. 5

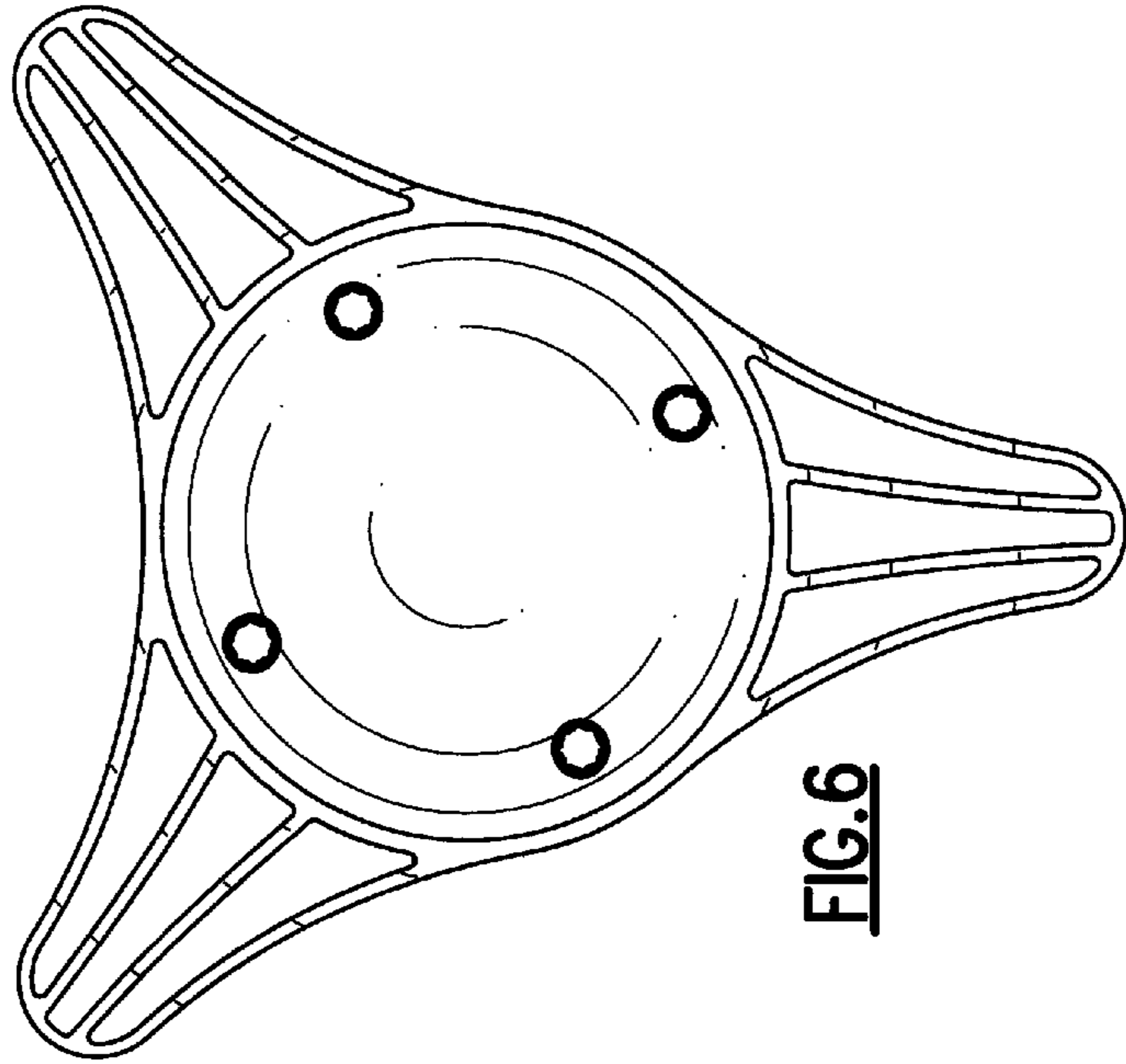


FIG. 6

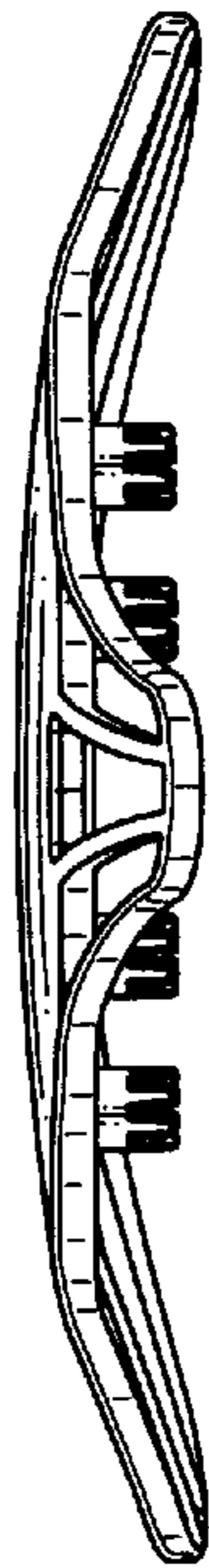


FIG. 4