

US00D538721S

(12) **United States Design Patent**
Woodard, Jr. et al.

(10) **Patent No.: US D538,721 S**
(45) **Date of Patent: ** Mar. 20, 2007**

(54) **VEHICLE DASHBOARD**

(75) Inventors: **Roy Linwood Woodard, Jr.**,
Statesboro, GA (US); **James Marvin**
Stenz, Fenton, MI (US); **Dean Jayson**
Long, Bradenton, FL (US); **Daniel**
Steven Genord, South Lyon, MI (US)

(73) Assignee: **Club Car, Inc.**, Augusta, GA (US)

(**) Term: **14 Years**

(21) Appl. No.: **29/262,062**

(22) Filed: **Jun. 26, 2006**

(51) **LOC (8) Cl.** **12-16**

(52) **U.S. Cl.** **D12/192**

(58) **Field of Classification Search** D12/192;
180/90; 280/750-752; 296/190-191, 70;
D10/46, 102, 98, 122-127; D15/17, 28; D34/34,
D34/35

See application file for complete search history.

(56) **References Cited**

U.S. PATENT DOCUMENTS

D397,977 S	*	9/1998	Hellhake et al.	D12/192
D470,091 S	*	2/2003	Kraus et al.	D12/192
D470,807 S	*	2/2003	Wyszogrod et al.	D12/192
D489,660 S	*	5/2004	Okumura et al.	D12/192
D493,756 S	*	8/2004	Yamamoto et al.	D12/192

D494,115 S	*	8/2004	McPeck et al.	D12/192
D499,998 S	*	12/2004	Tanaka et al.	D12/192
D512,006 S	*	11/2005	Sims	D12/192
D512,357 S	*	12/2005	Schuttera	D12/192
D514,995 S	*	2/2006	Acton et al.	D12/192
D515,487 S	*	2/2006	Tanaka et al.	D12/192
D519,894 S	*	5/2006	Asahi et al.	D12/192
D525,409 S	*	7/2006	Cantrill et al.	D12/192

* cited by examiner

Primary Examiner—Stacia Cadmus

(74) *Attorney, Agent, or Firm*—Michael Best & Friedrich LLP

(57) **CLAIM**

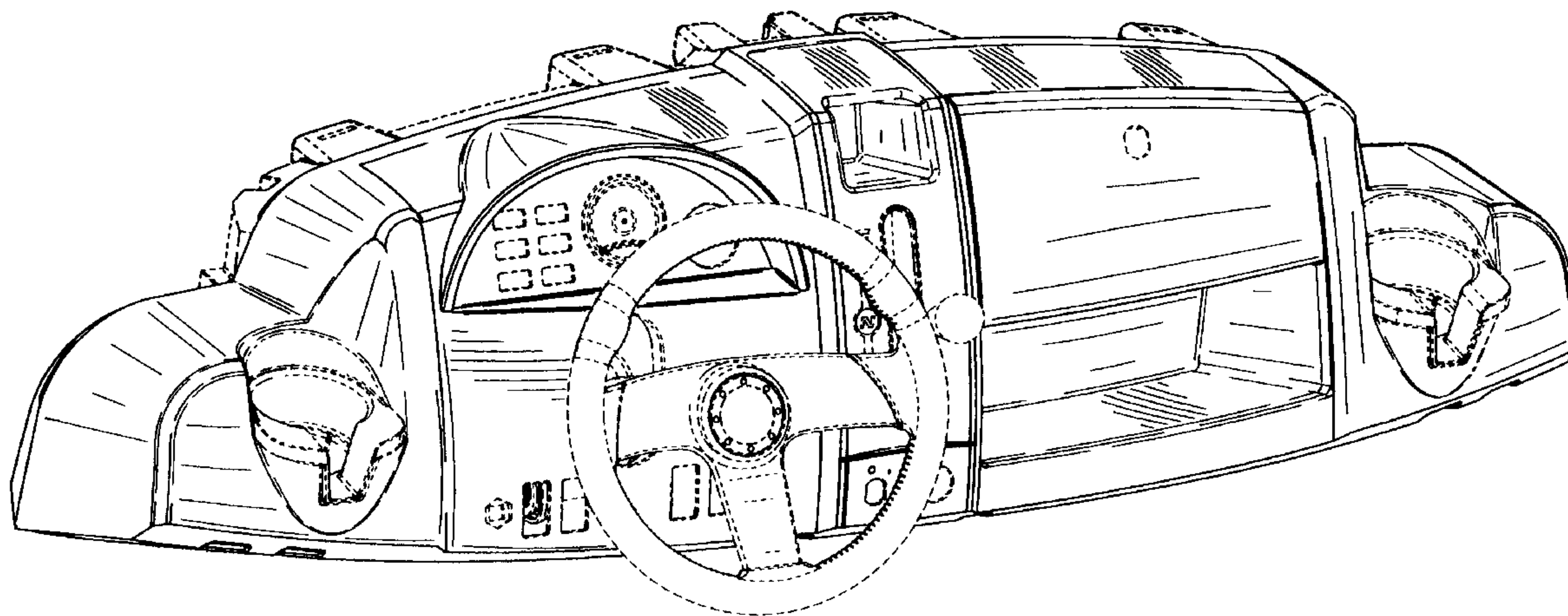
We claim the ornamental design for a vehicle dashboard, as shown and described.

DESCRIPTION

FIG. 1 is a right-front perspective view of a vehicle dashboard showing our new design;
FIG. 2 is a top plan view thereof;
FIG. 3 is a bottom perspective view thereof;
FIG. 4 is a left-front perspective view thereof; and,
FIG. 5 is a bottom plan view thereof.

The structural features depicted by means of broken lines in the drawing figures have been shown for the purpose of illustrating environmental structure only and form no part of the claimed design.

1 Claim, 5 Drawing Sheets



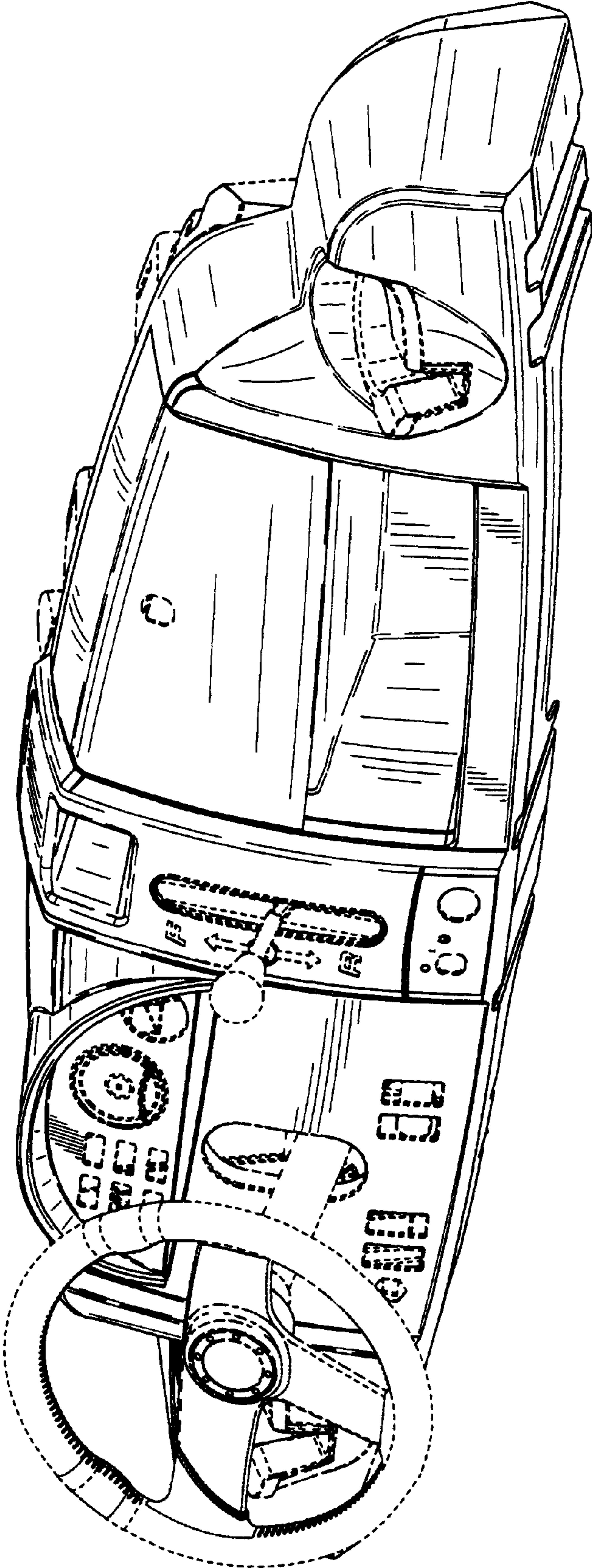


FIG. 1

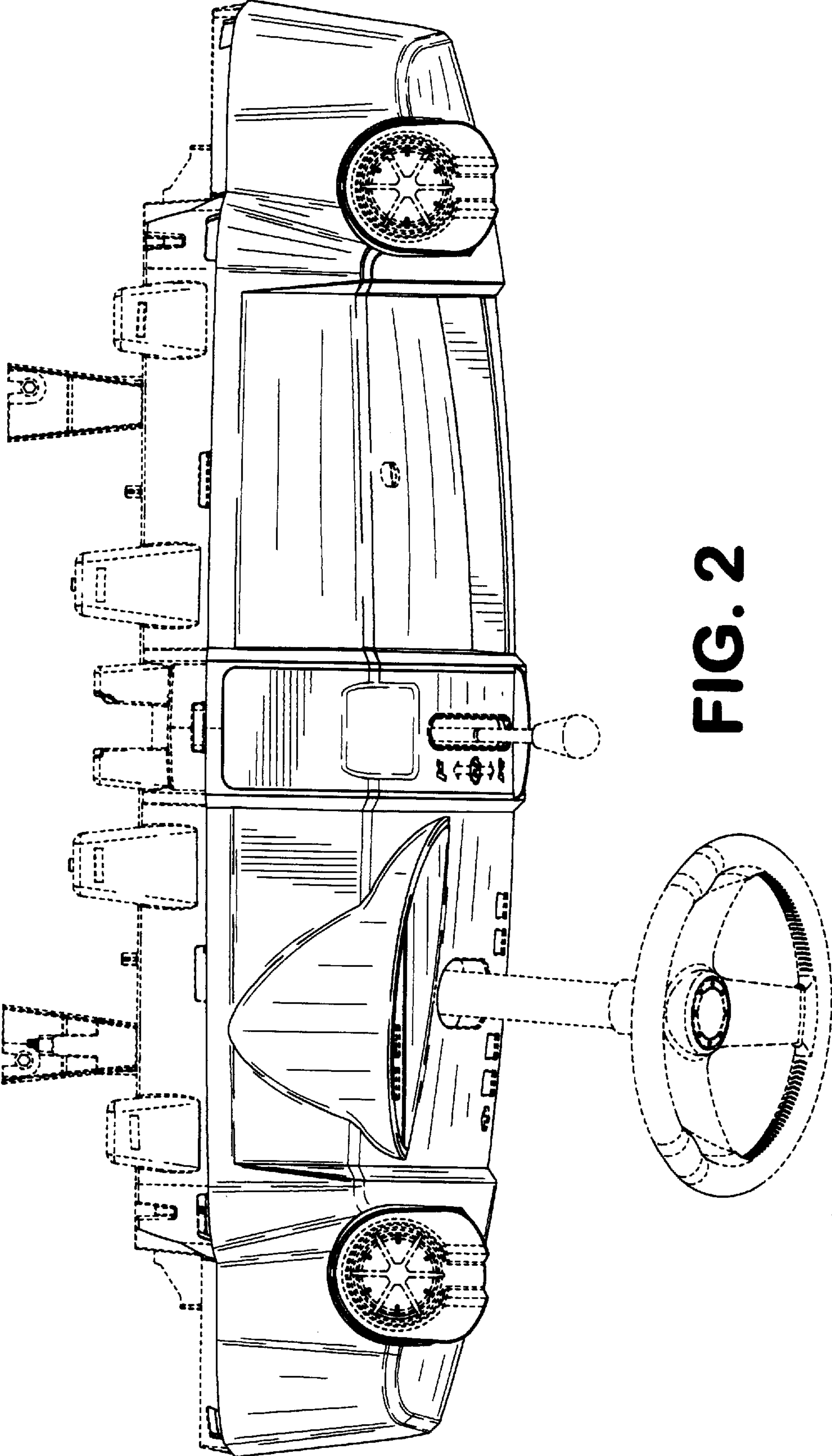


FIG. 2

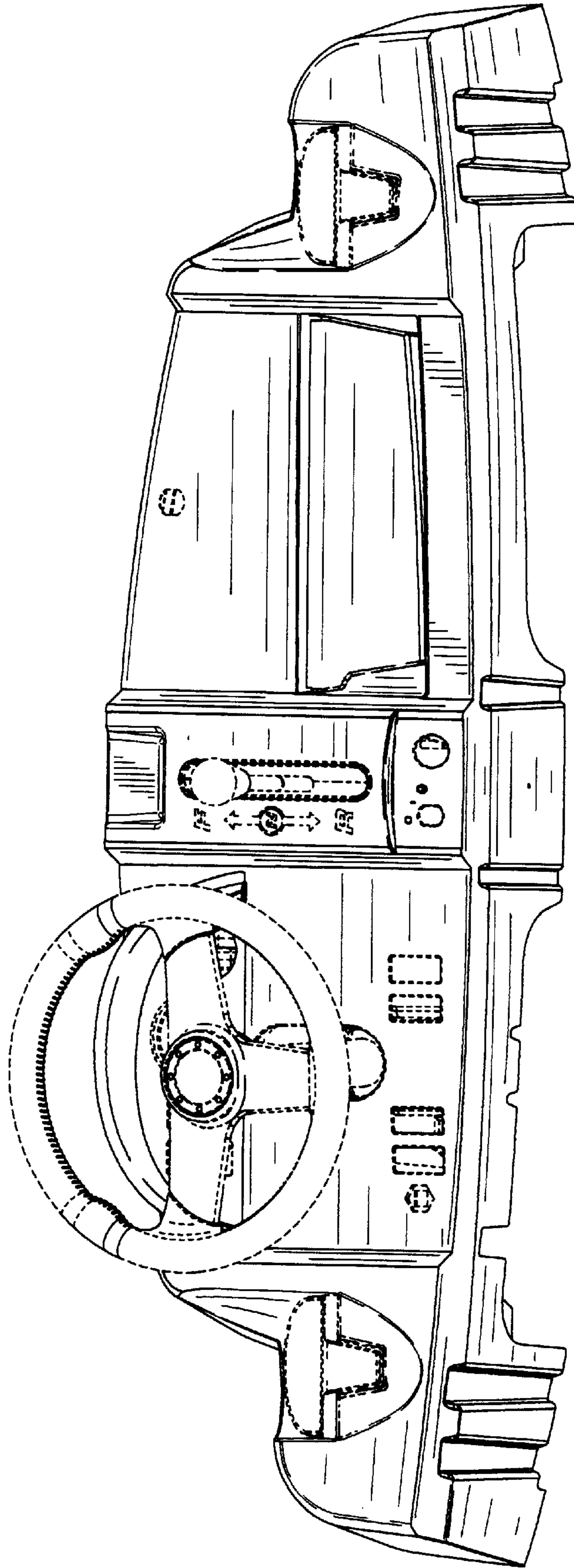


FIG. 3

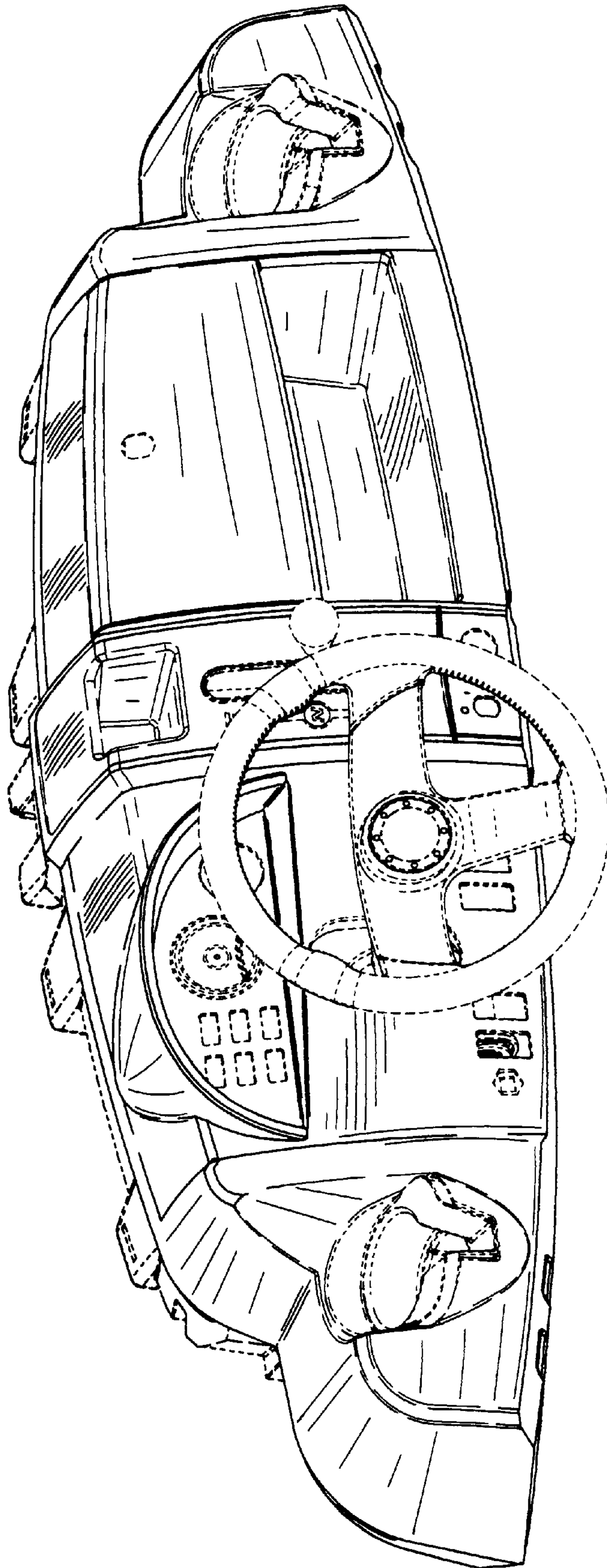


FIG. 4

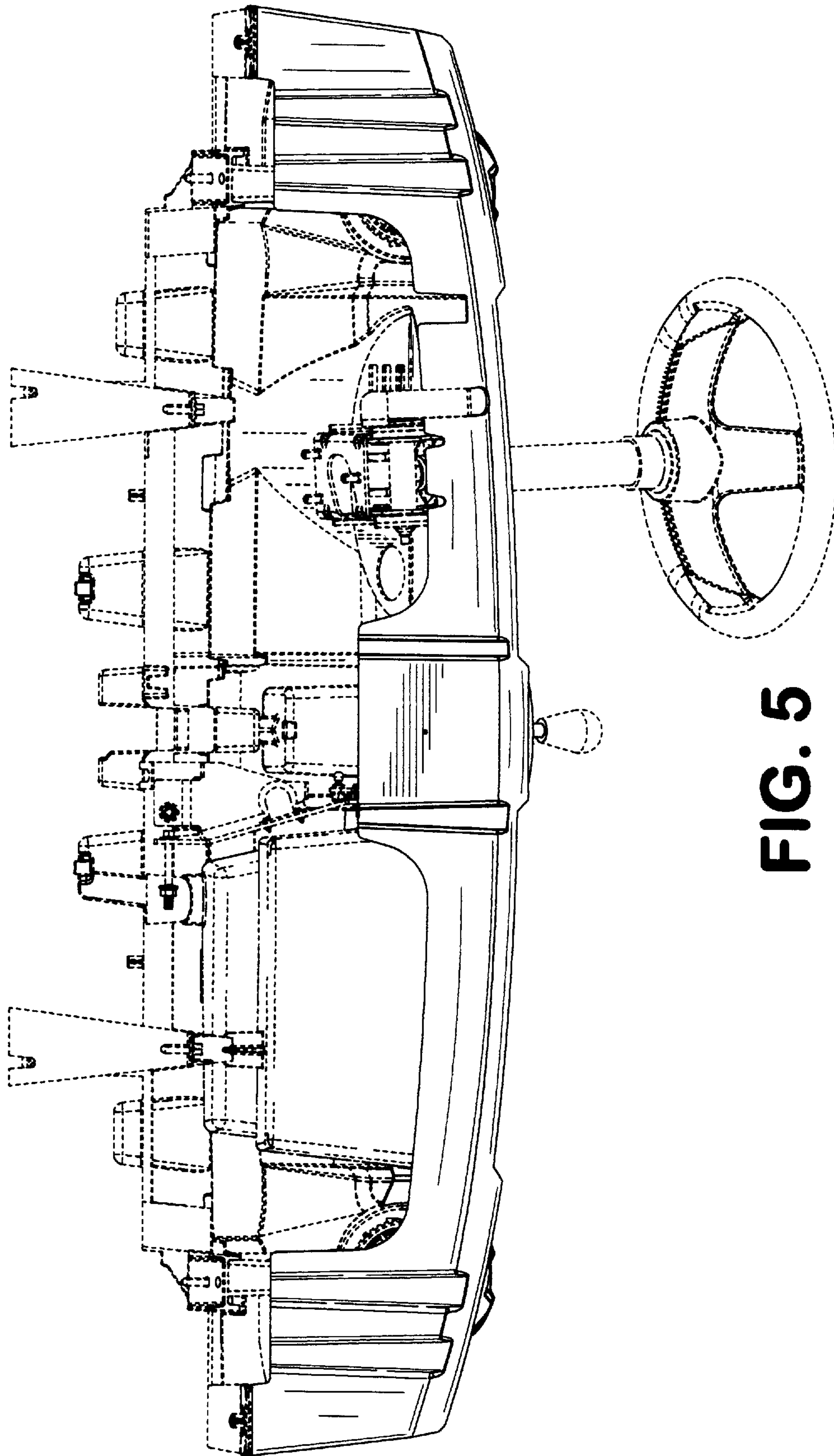


FIG. 5